



US00D874657S

(12) **United States Design Patent** (10) **Patent No.:** **US D874,657 S**  
**Bailey et al.** (45) **Date of Patent:** **\*\* Feb. 4, 2020**

(54) **SURGICAL CONTROL APPARATUS**

(71) Applicant: **Intuitive Surgical Operations, Inc.**, Sunnyvale, CA (US)

(72) Inventors: **David W. Bailey**, Portola Valley, CA (US); **Robert B. Hubler**, Sunnyvale, CA (US); **Timothy B. Hulford**, San Jose, CA (US); **Nicholas W. Oakley**, Portland, OR (US)

(73) Assignee: **INTUITIVE SURGICAL OPERATIONS, INC.**, Sunnyvale, CA (US)

(\*\*) Term: **15 Years**

(21) Appl. No.: **29/648,249**

(22) Filed: **May 18, 2018**

(51) **LOC (12) Cl.** ..... **24-02**

(52) **U.S. Cl.**  
USPC ..... **D24/185**

(58) **Field of Classification Search**  
USPC ..... D24/185, 164, 160, 158, 167; D34/14  
CPC ..... A61B 50/30; A61G 12/001  
See application file for complete search history.

(56) **References Cited**

**U.S. PATENT DOCUMENTS**

D486,915 S *	2/2004	Warschewske	.....	D24/185
D550,362 S *	9/2007	Olivera	.....	D24/185
D561,342 S *	2/2008	Zimmer	.....	D24/185
D621,513 S *	8/2010	Cinquabre	.....	D24/185
8,286,977 B2 *	10/2012	Butler	.....	A61G 12/001
				280/47.34
D687,147 S *	7/2013	Yoshida	.....	D24/185
D702,840 S *	4/2014	Blomquist	.....	D24/164
D702,842 S *	4/2014	Hyde	.....	D24/185
D712,042 S *	8/2014	Chung	.....	D24/185
D730,011 S *	5/2015	McRorie	.....	D34/14
D735,866 S *	8/2015	Assa	.....	D24/185

D739,538 S *	9/2015	Bernal	.....	D24/185
D753,310 S *	4/2016	Thakar	.....	D24/185
9,463,069 B2 *	10/2016	Dunworth	.....	A61B 50/30
D776,279 S *	1/2017	Newman	.....	D24/164
D777,927 S *	1/2017	Choudhary	.....	D24/167
D790,066 S *	6/2017	Lei	.....	D24/158
D796,679 S *	9/2017	Dekock	.....	D24/158
D827,139 S *	8/2018	Henderson	.....	D24/160
D844,792 S *	4/2019	Choe	.....	D24/186
10,350,015 B2 *	7/2019	Toth		
10,376,331 B2 *	8/2019	Cooper		

**OTHER PUBLICATIONS**

Vertut, Jean and Phillipe Coiffet, Robot Technology: Teleoperation and Robotics Evolution and Development, English translation, Prentice-Hall, Inc., Englewood Cliffs, NJ, USA 1986, vol. 3A, 332 pages.

\* cited by examiner

*Primary Examiner* — Rhea Shields

(74) *Attorney, Agent, or Firm* — Haynes and Boone, LLP

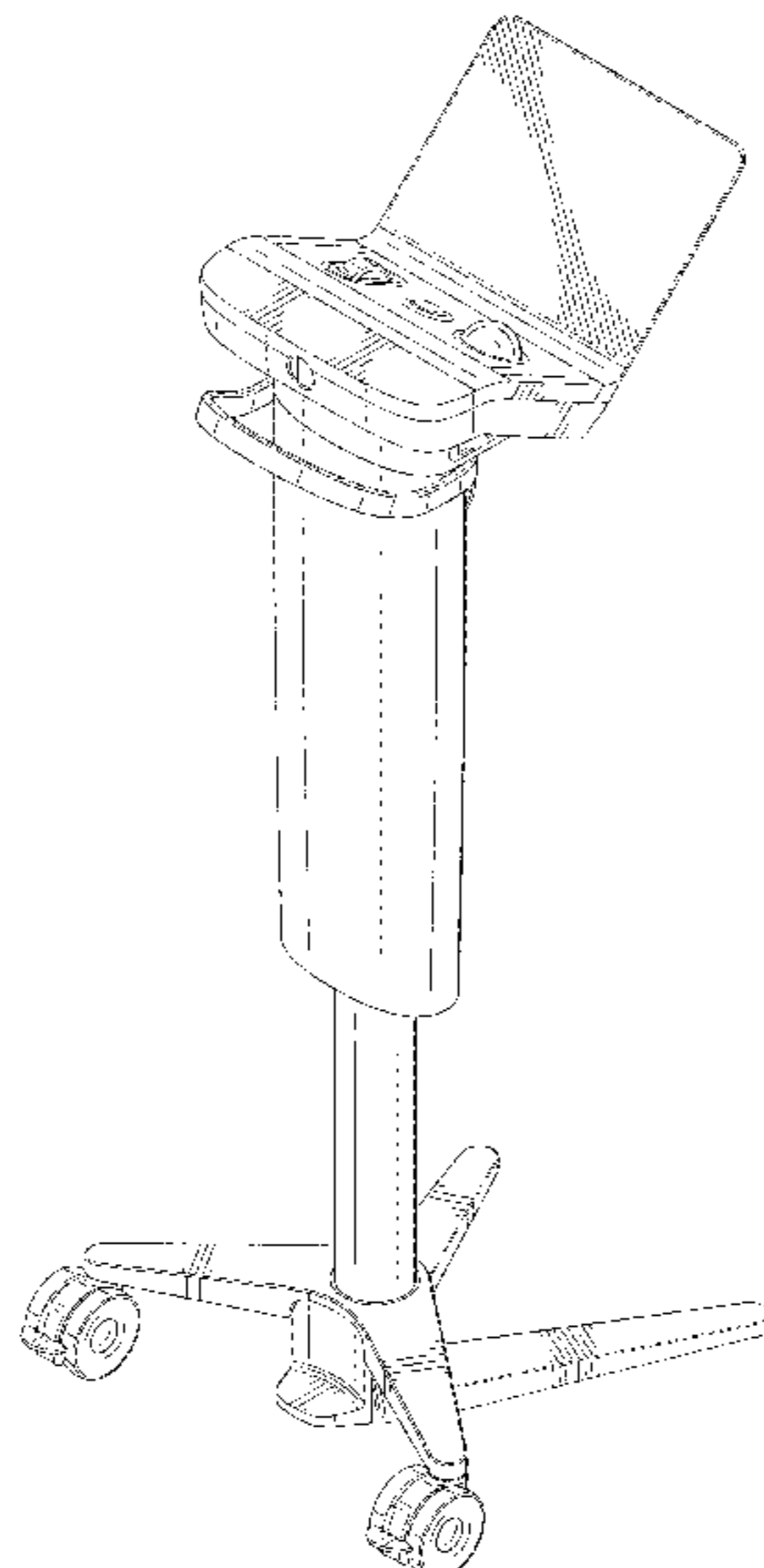
(57) **CLAIM**

The ornamental design for a surgical control apparatus, as shown and described.

**DESCRIPTION**

FIG. 1 is a perspective view of a surgical control apparatus showing our new design;  
FIG. 2 is a front elevational view thereof;  
FIG. 3 is a rear elevational view thereof;  
FIG. 4 is a right side elevational view thereof;  
FIG. 5 is a left side elevational view thereof;  
FIG. 6 is a top plan view thereof;  
FIG. 7 is a bottom plan view thereof; and,  
FIGS. 8 and 9 are additional perspective views thereof.  
The surgical control apparatus illustrated in FIGS. 1-9 may be a surgical control apparatus such as, for example, a surgical control apparatus for lung surgery.

**1 Claim, 8 Drawing Sheets**



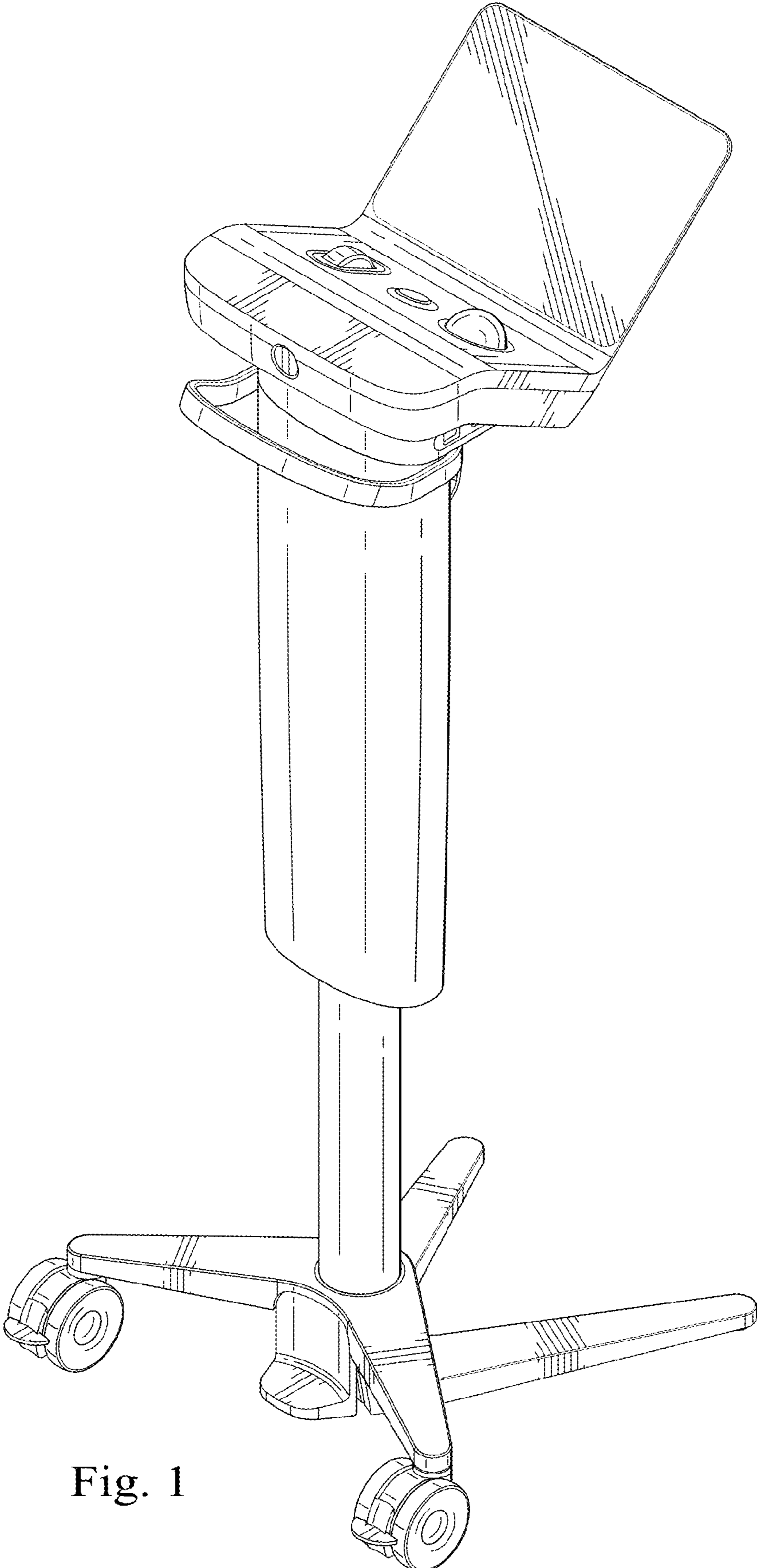


Fig. 1

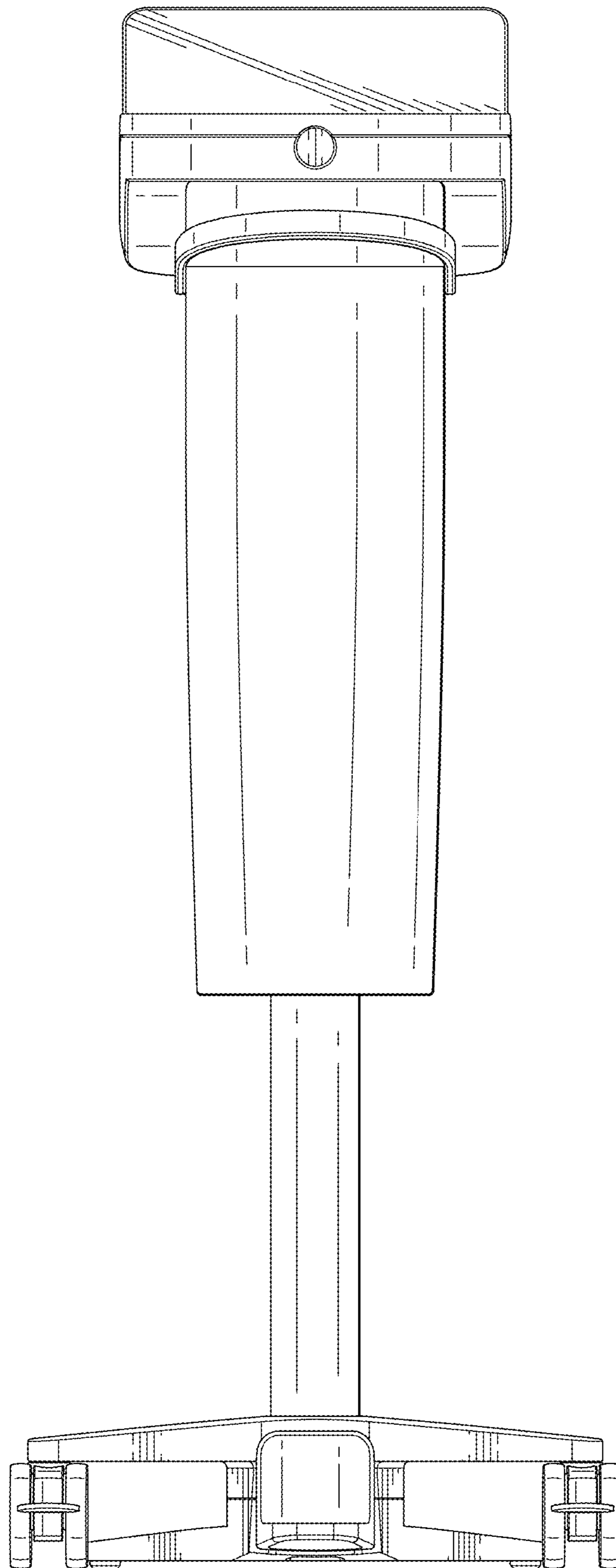


Fig. 2

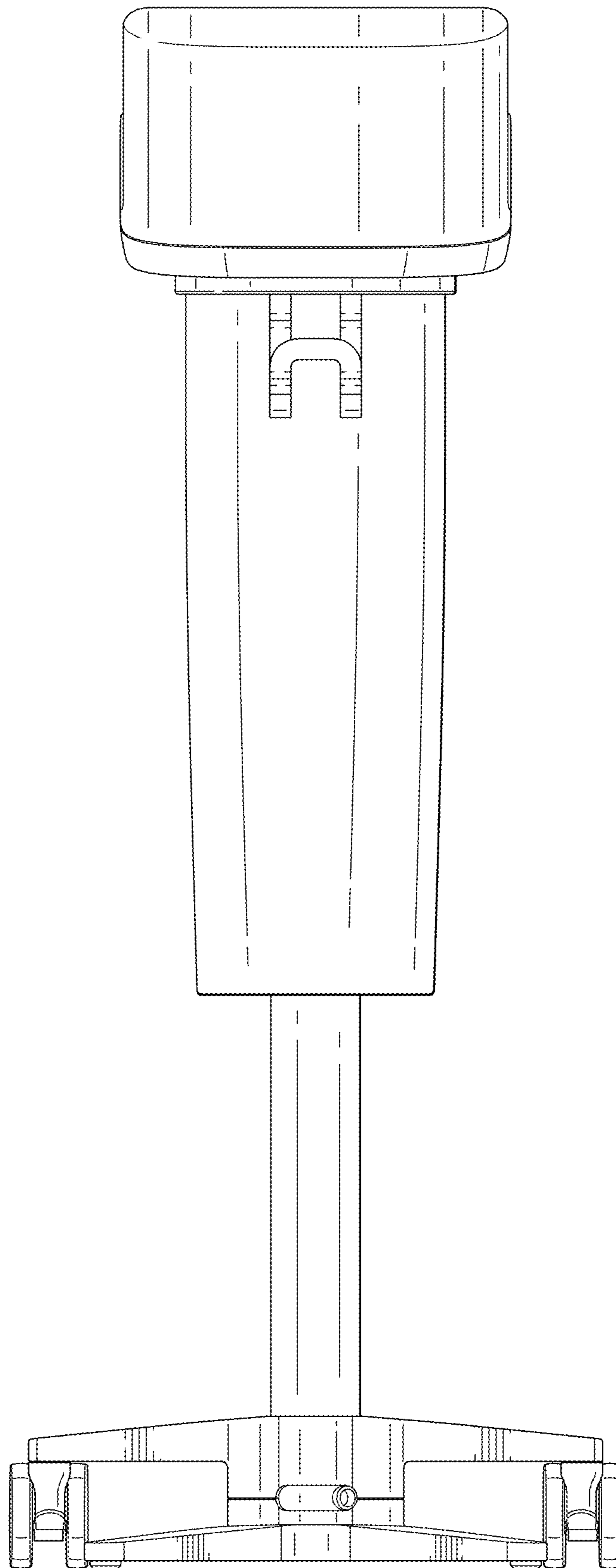


Fig. 3

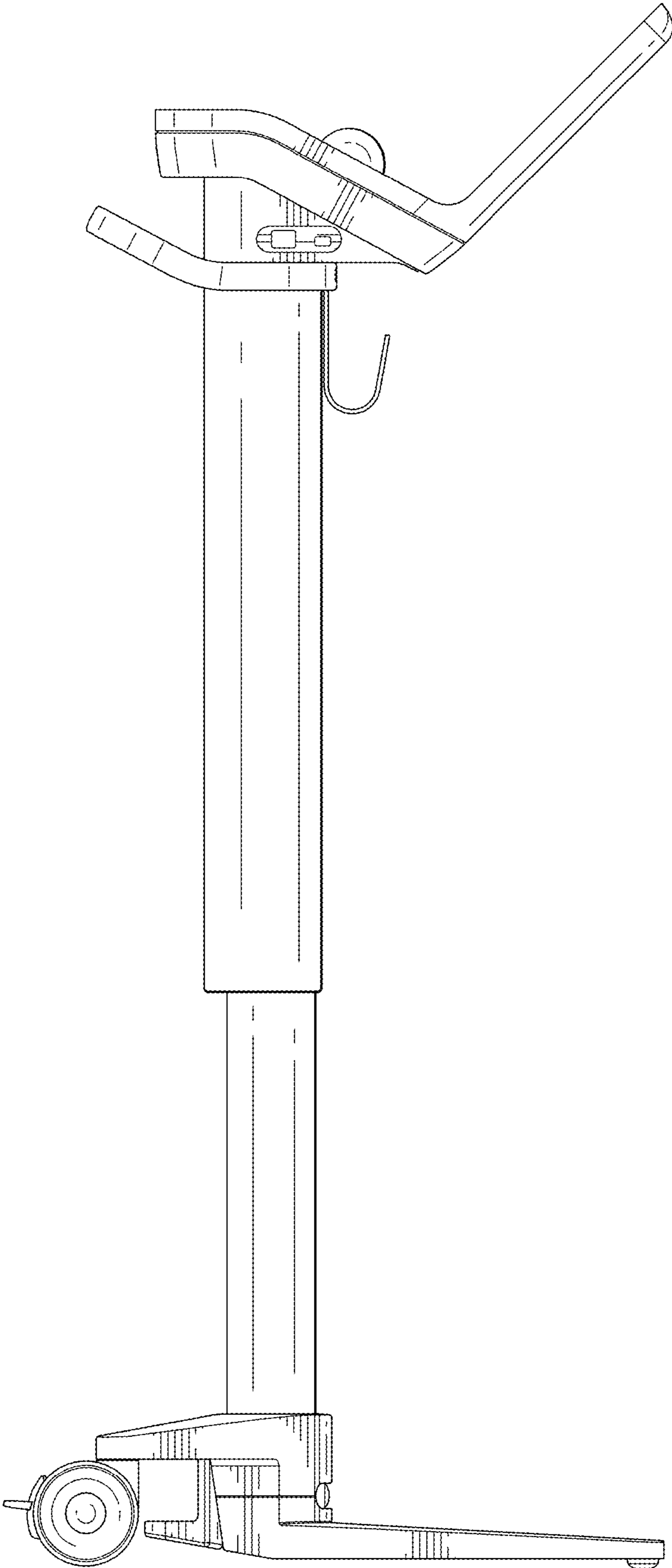


Fig. 4

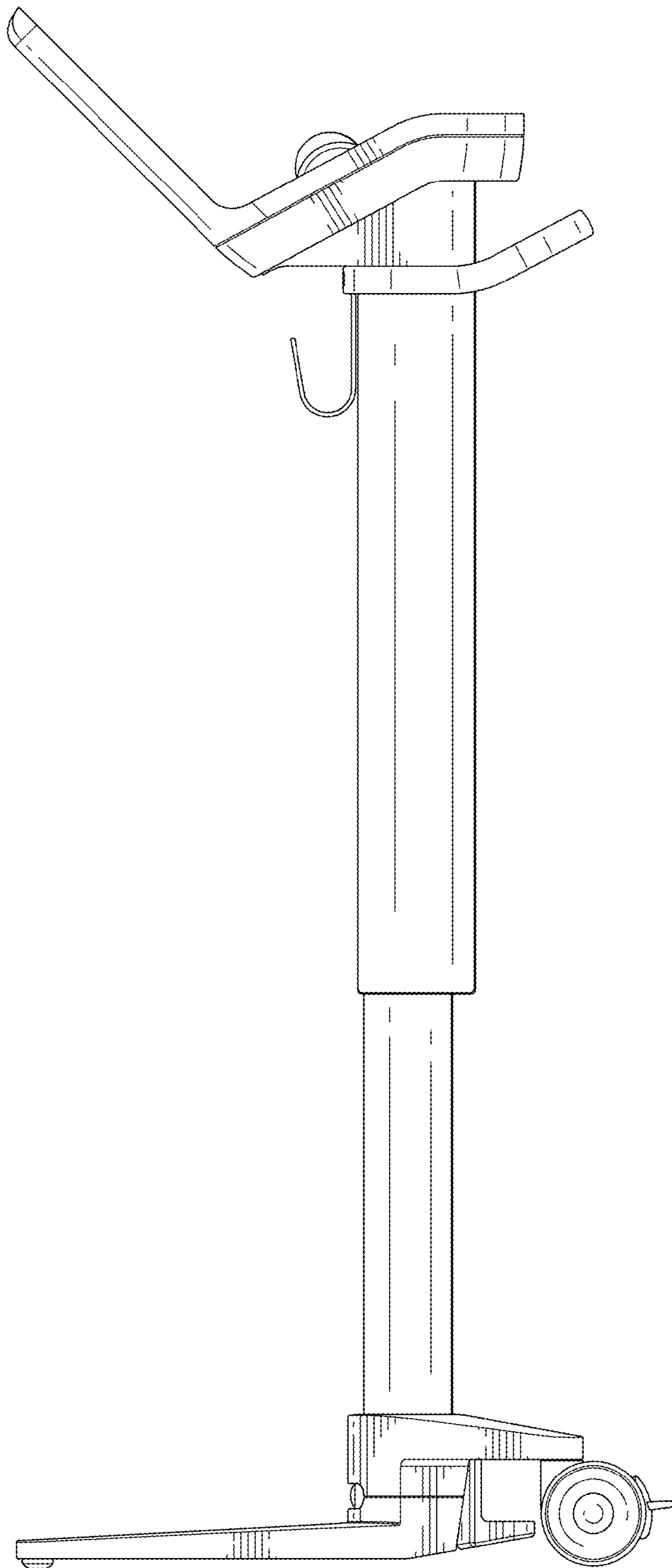


Fig. 5

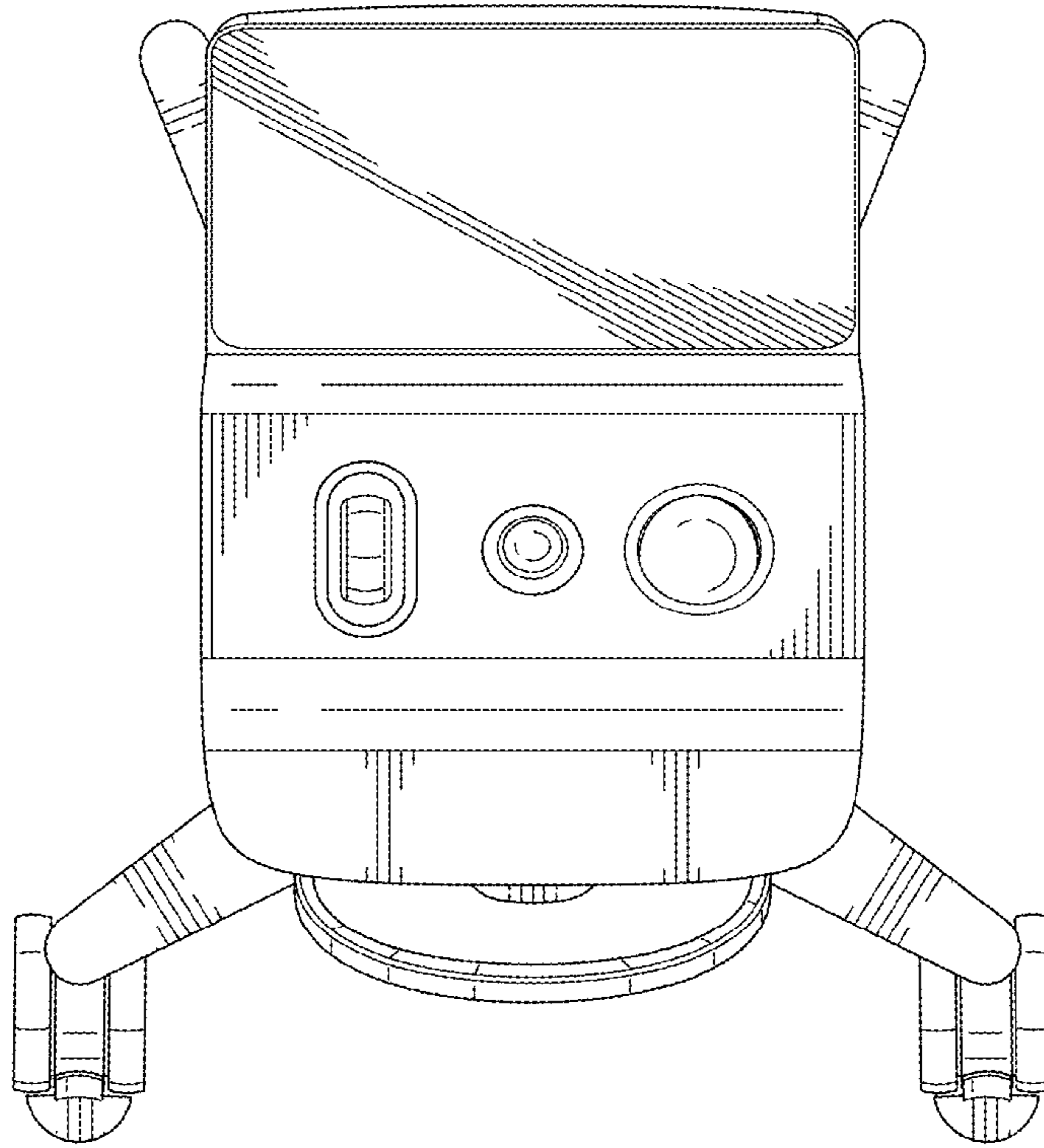


Fig. 6

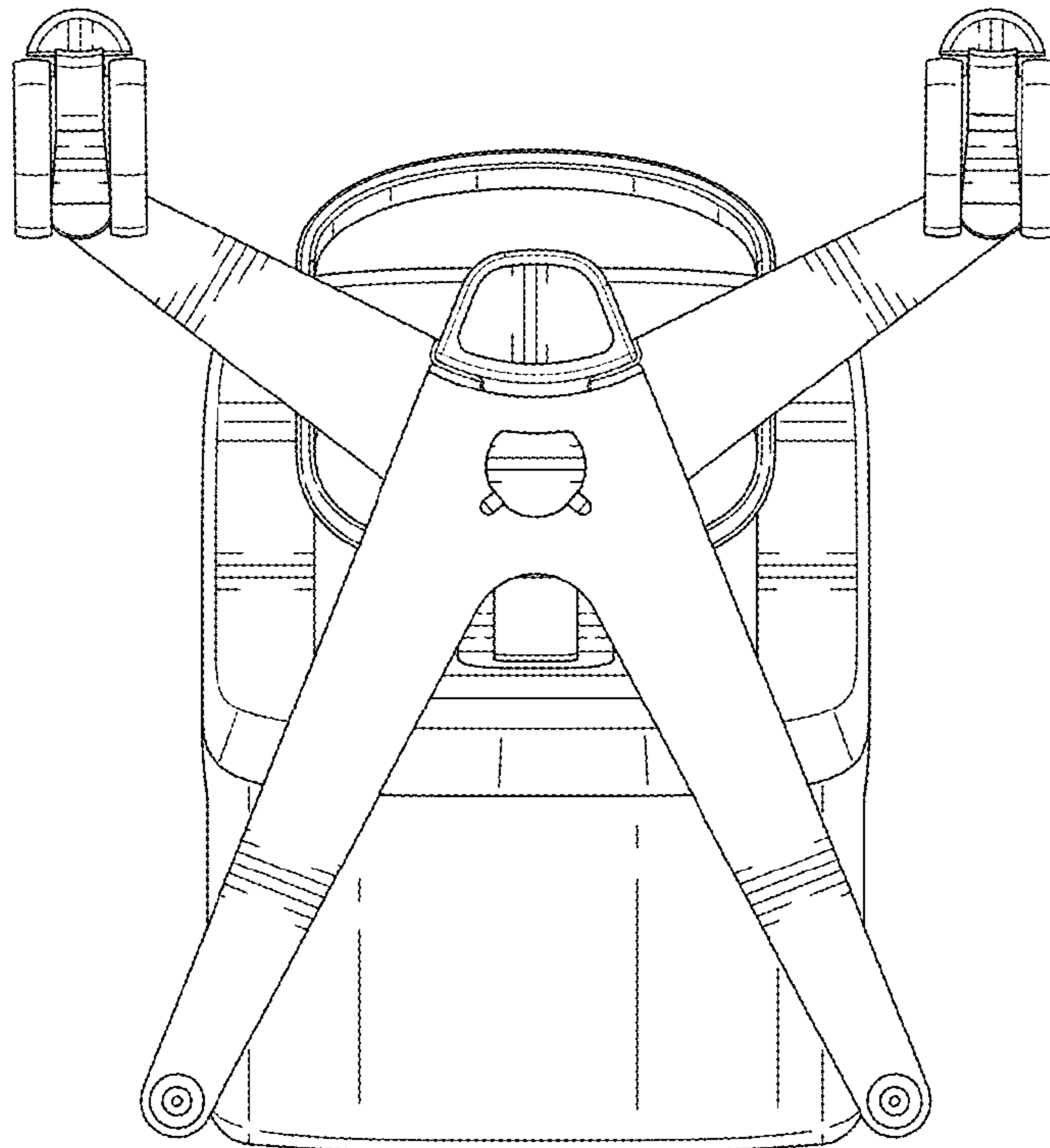


Fig. 7

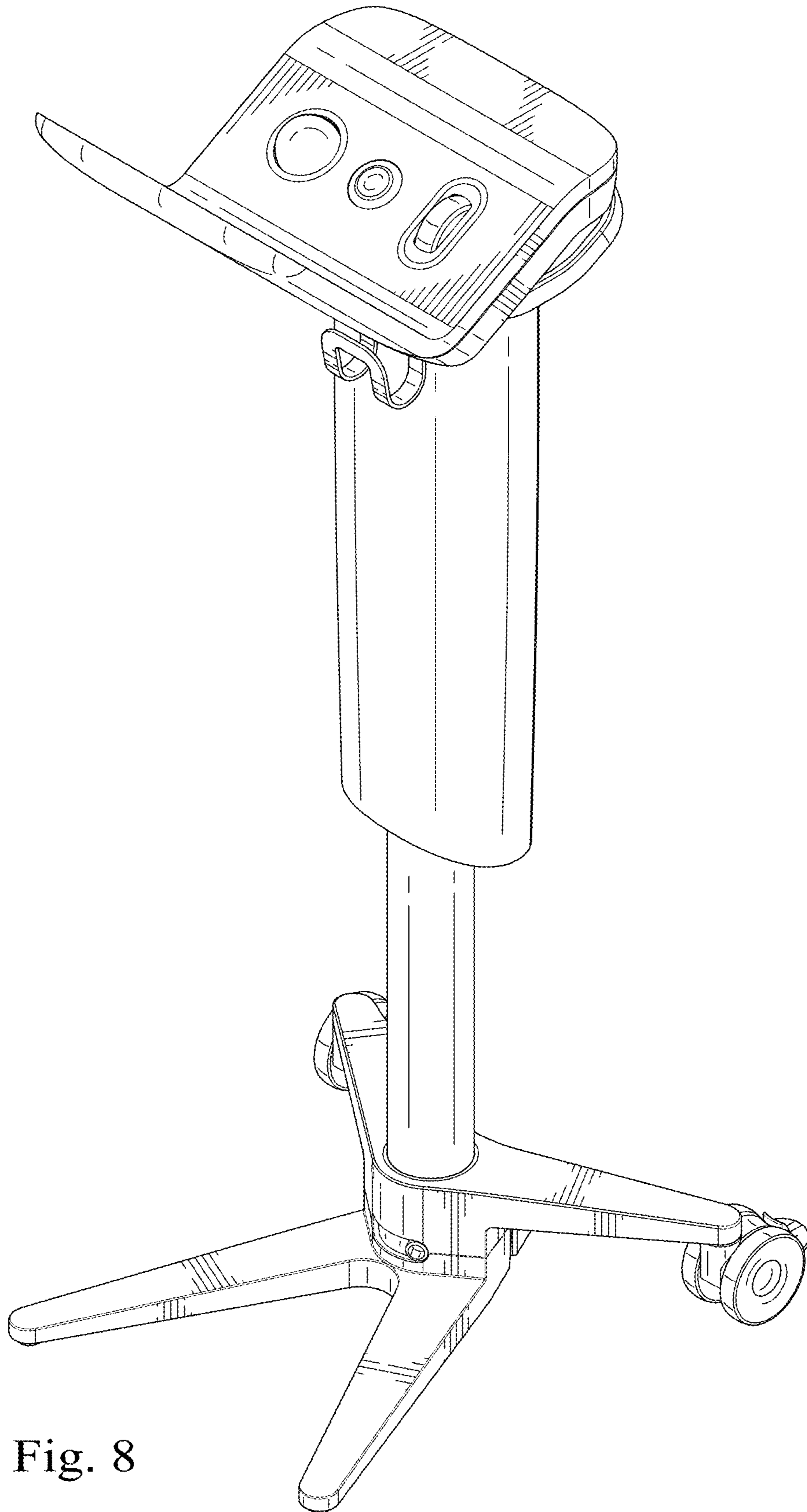


Fig. 8



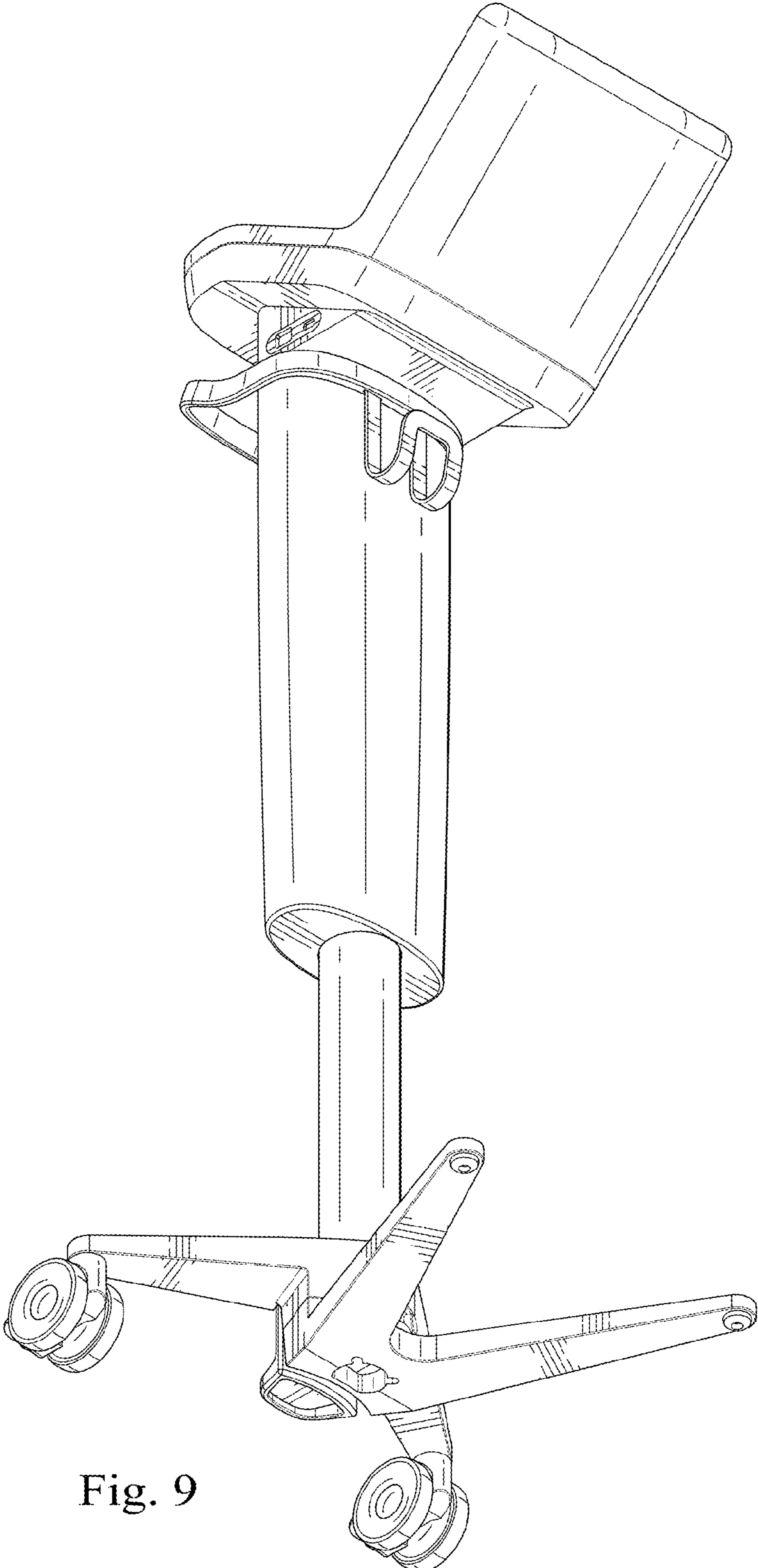


Fig. 9