



US00D874656S

(12) **United States Design Patent** (10) **Patent No.:** **US D874,656 S**  
**Blumenkranz et al.** (45) **Date of Patent:** **\*\* Feb. 4, 2020**

(54) **PART OF A CATHETER MANIPULATION DEVICE**

(71) Applicant: **Intuitive Surgical Operations, Inc.**, Sunnyvale, CA (US)

(72) Inventors: **Stephen J. Blumenkranz**, Los Altos, CA (US); **Robert B. Hubler**, Woodinville, WA (US); **Timothy B. Hulford**, San Jose, CA (US)

(73) Assignee: **INTUITIVE SURGICAL OPERATIONS, INC.**, Sunnyvale, CA (US)

(\*\*) Term: **15 Years**

(21) Appl. No.: **29/648,128**

(22) Filed: **May 18, 2018**

(51) **LOC (12) Cl.** ..... **24-02**

(52) **U.S. Cl.**  
USPC ..... **D24/185**; D24/164

(58) **Field of Classification Search**  
USPC ..... D24/185, 164, 110, 128, 165, 107, 129, D24/186; D10/81; D14/154  
CPC ..... A61B 17/12022; A61B 1/00098; A61B 10/04; A61H 23/06; A61M 25/0111; A61M 16/0488  
See application file for complete search history.

(56) **References Cited**

**U.S. PATENT DOCUMENTS**

- 2,955,592 A \* 10/1960 MacLean ..... A61B 10/04 600/569
- 3,316,913 A \* 5/1967 Swenson ..... A61M 16/0488 606/108
- 3,335,723 A \* 8/1967 Waldman, Jr. .... A61M 25/0111 604/163
- 3,368,552 A \* 2/1968 Bottcher ..... A61B 1/00098 600/107
- 4,745,910 A \* 5/1988 Day ..... A61H 23/06 601/107

- 4,950,280 A \* 8/1990 Brennan ..... A61B 17/12022 604/1
  - D731,048 S \* 6/2015 Winter ..... D24/107
  - D755,392 S \* 5/2016 Hwang ..... D24/165
- (Continued)

**OTHER PUBLICATIONS**

Vertut, Jean and Phillipe Coiffet, Robot Technology: Teleoperation and Robotics Evolution and Development, English translation, Prentice-Hall, Inc., Englewood Cliffs, NJ, USA 1986, vol. 3A, 332 pages.

*Primary Examiner* — Rhea Shields  
(74) *Attorney, Agent, or Firm* — Haynes and Boone, LLP

(57) **CLAIM**

The ornamental design for a part of a catheter manipulation device, as shown and described.

**DESCRIPTION**

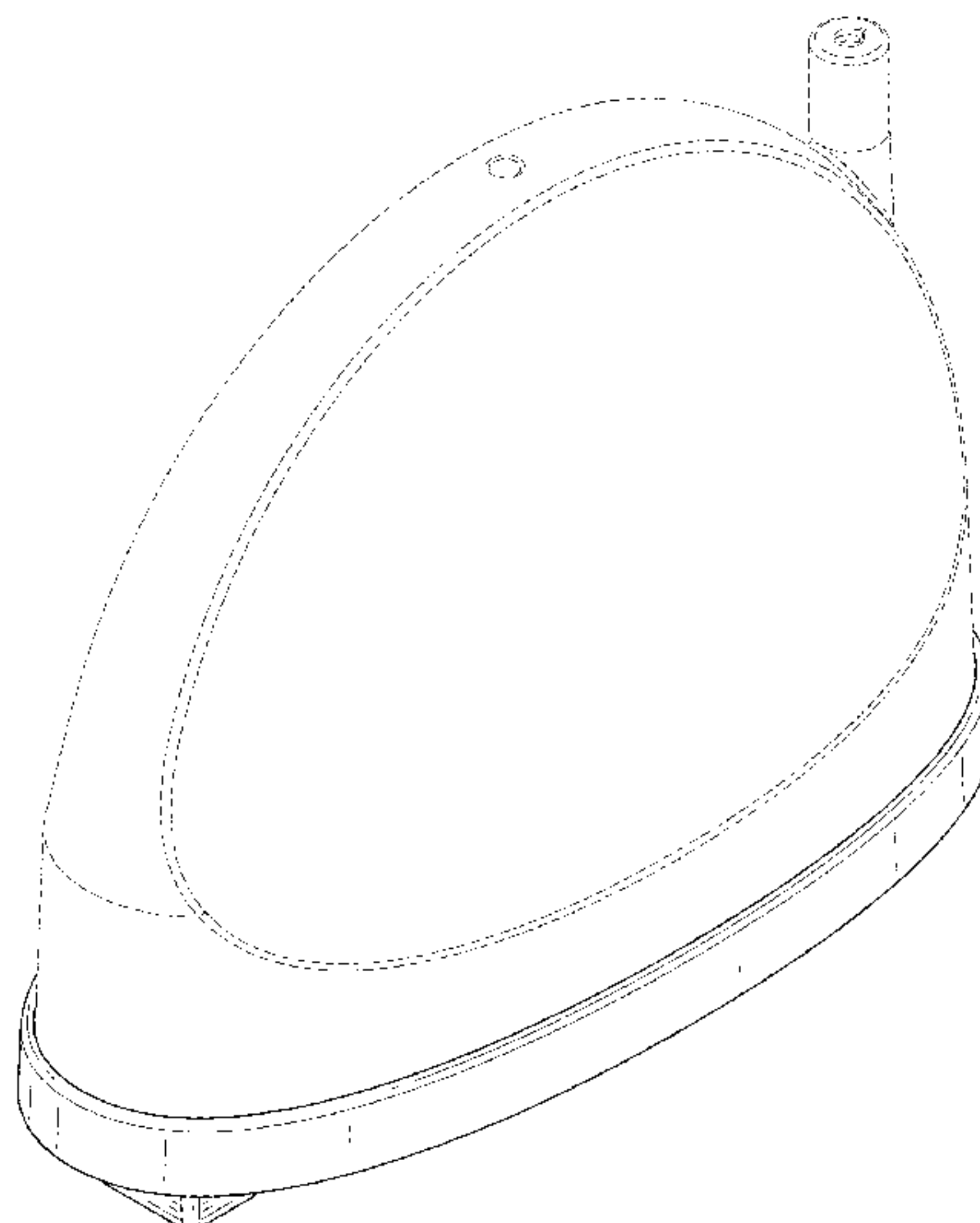
This application is related to U.S. application Ser. No. 29/648,126, filed May 18, 2018, the entire disclosure of which is hereby incorporated herein by reference.

FIG. 1 is a perspective view of a part of a catheter manipulation device showing our new design;  
 FIG. 2 is a front elevational view thereof;  
 FIG. 3 is a rear elevational view thereof;  
 FIG. 4 is a right side elevational view thereof;  
 FIG. 5 is a left side elevational view thereof;  
 FIG. 6 is a top plan view thereof;  
 FIG. 7 is a bottom plan view thereof; and,  
 FIGS. 8, 9, 10, and 11 are additional perspective views thereof.

In the drawings, the broken lines are for the purpose of illustrating environment only and form no part of the claimed design.

The part of a catheter manipulation device illustrated in FIGS. 1-11 may be, for example, a catheter manipulation device.

**1 Claim, 9 Drawing Sheets**



(56)

**References Cited**

U.S. PATENT DOCUMENTS

D757,242 S	*	5/2016	Maksym .....	D24/110
D773,034 S	*	11/2016	Allnutt .....	D24/110
D773,035 S	*	11/2016	Neuner .....	D24/110
D773,055 S	*	11/2016	Krauss .....	D10/81
D797,829 S	*	9/2017	Lv .....	D14/154
D804,659 S	*	12/2017	Hood .....	D24/128
D805,629 S	*	12/2017	Fiorenza .....	D24/110
D815,292 S	*	4/2018	Goldman .....	D24/186
D835,260 S	*	12/2018	Lisberg .....	D24/110
D837,365 S	*	1/2019	Li .....	D24/110
D840,529 S	*	2/2019	Steinberg .....	D24/110
D848,617 S	*	5/2019	Ramstad .....	D24/129
D855,792 S	*	8/2019	Toksoz .....	D24/110
D858,745 S	*	9/2019	Kurgan .....	D24/110

\* cited by examiner

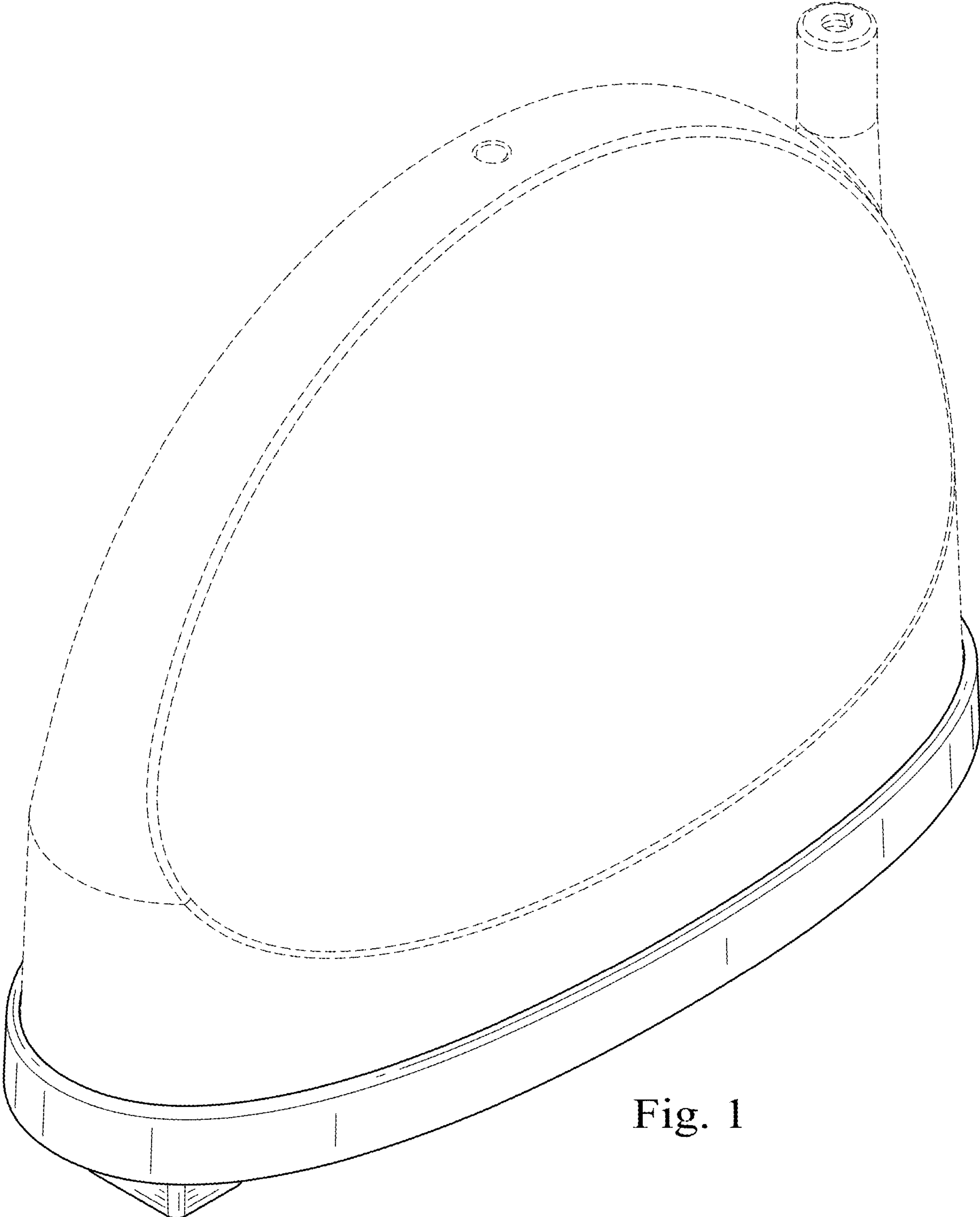


Fig. 1

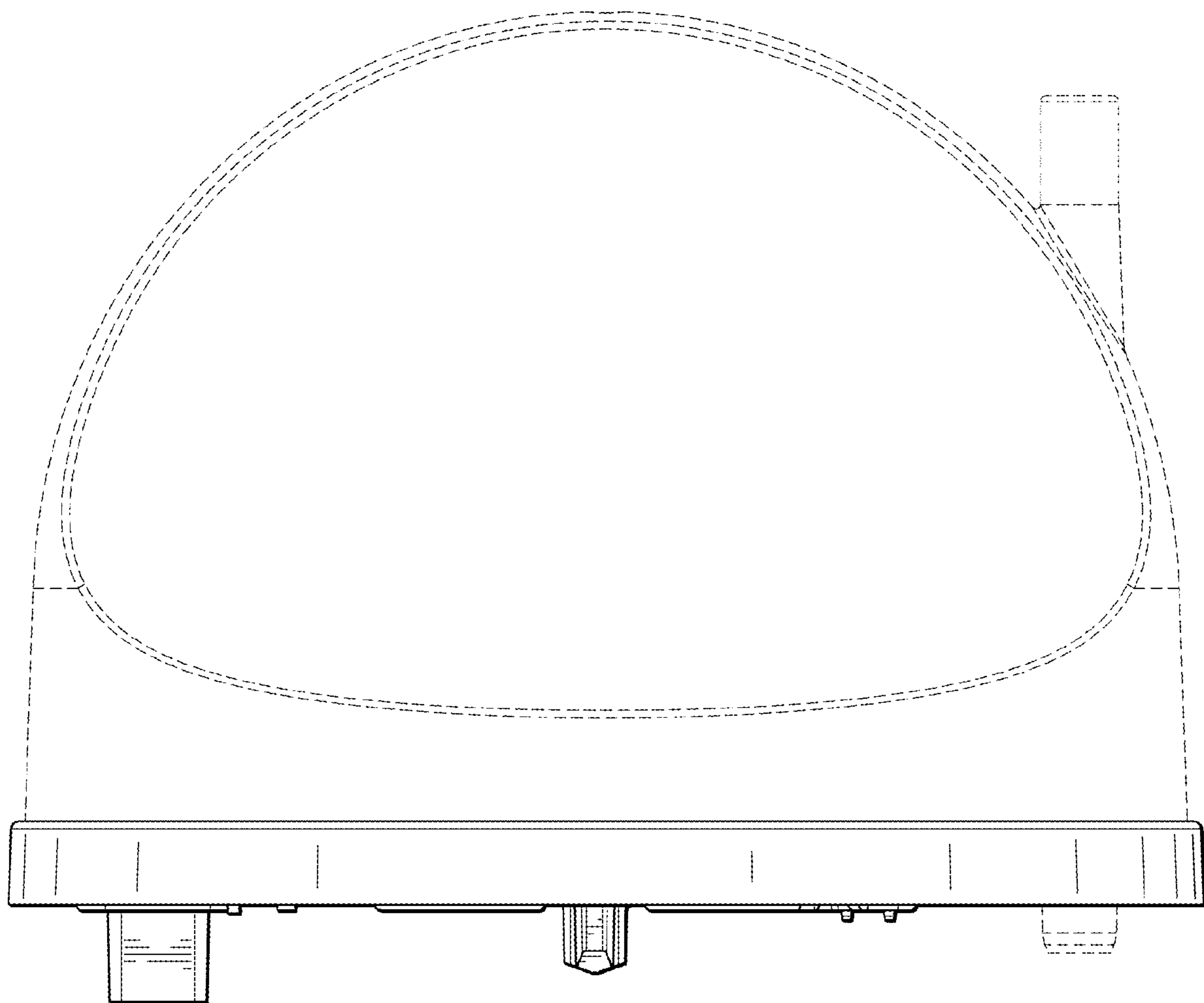


Fig. 2

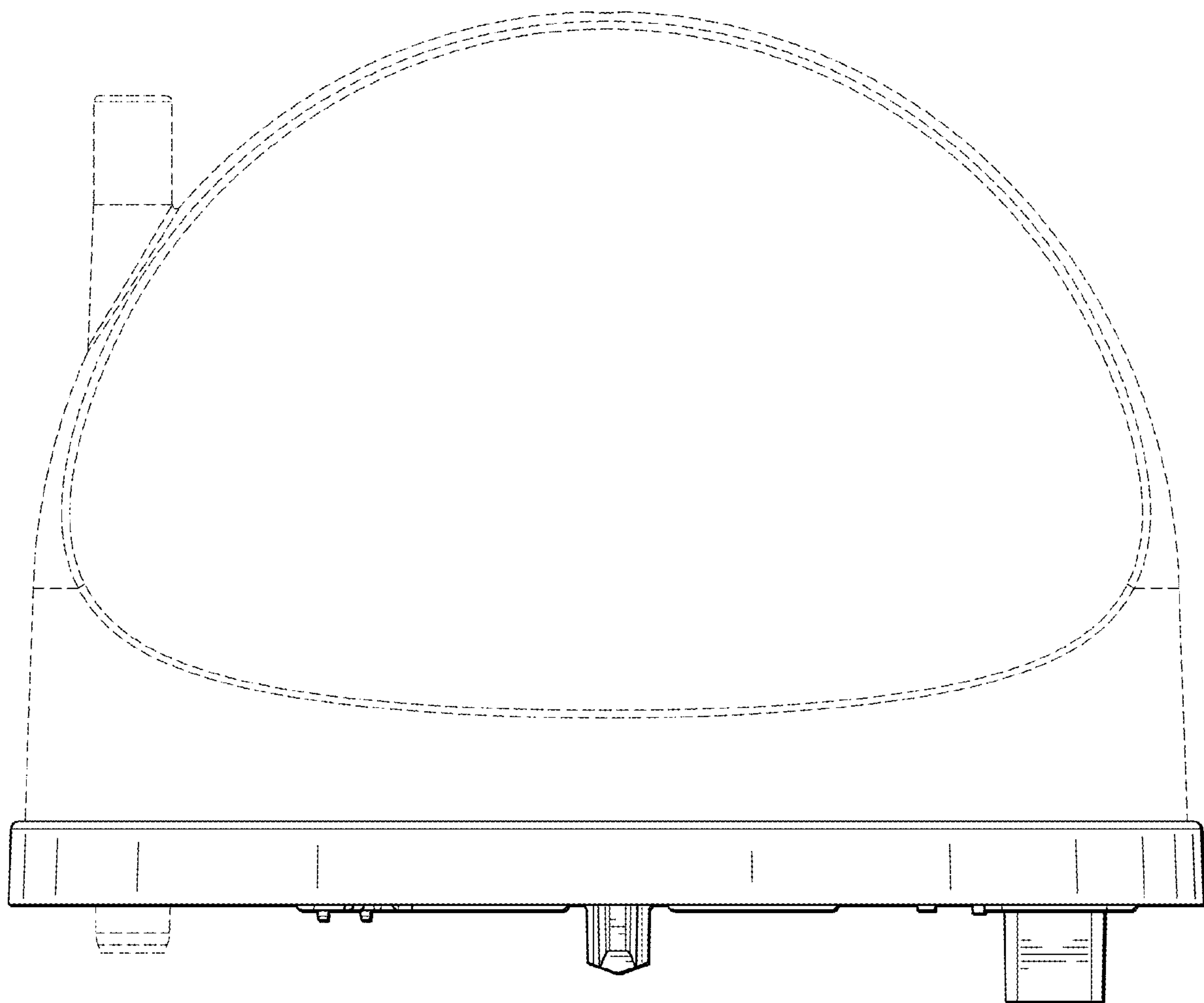


Fig. 3

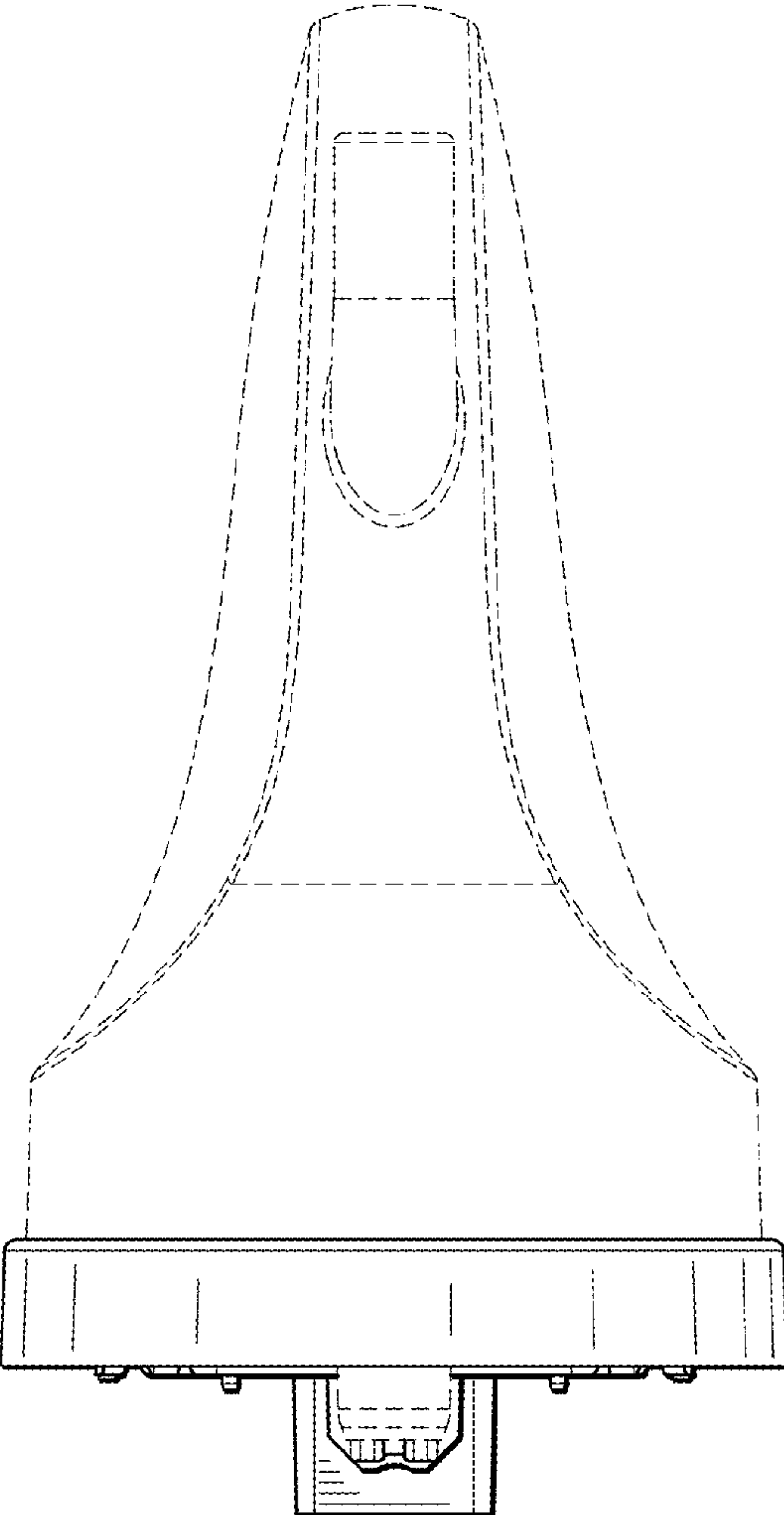


Fig. 4

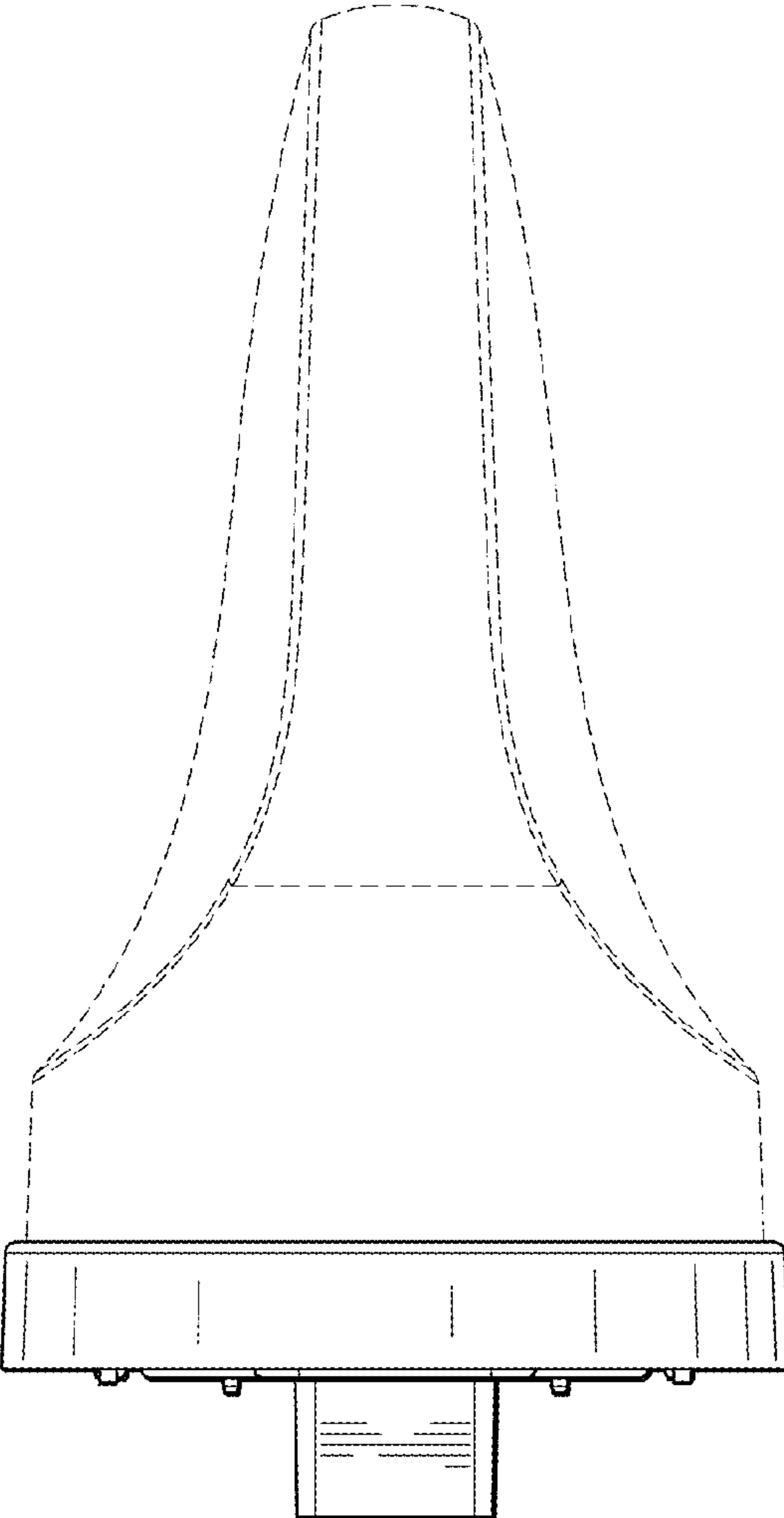


Fig. 5



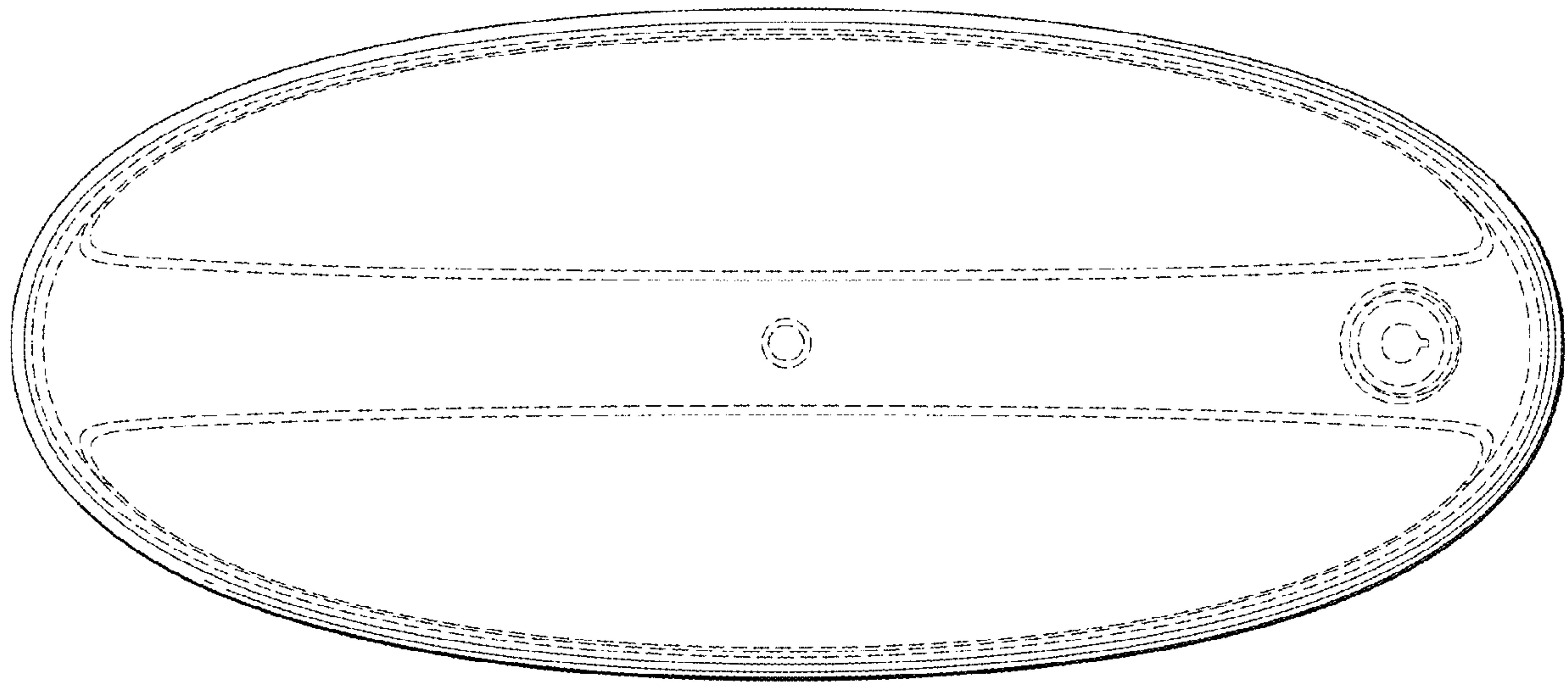


Fig. 6

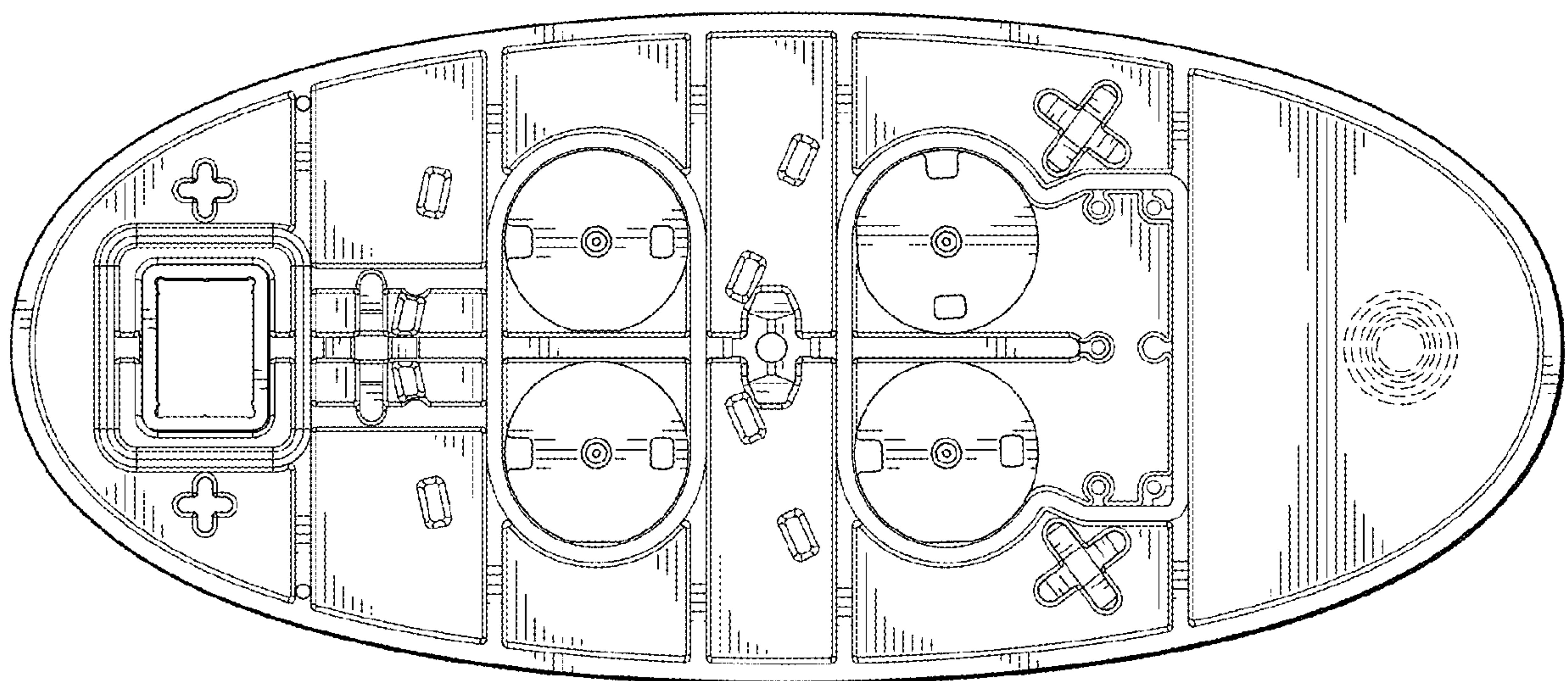


Fig. 7

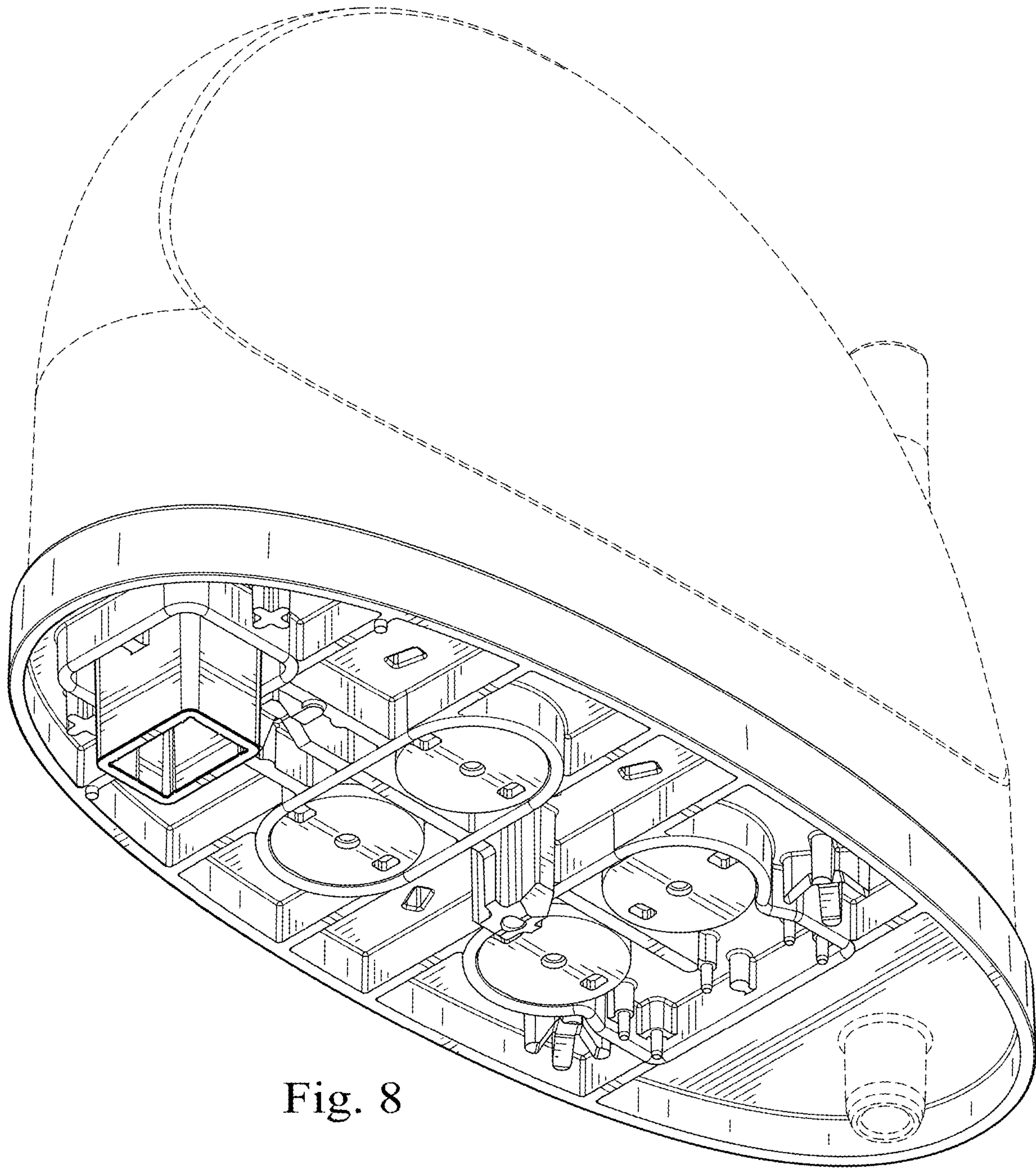


Fig. 8



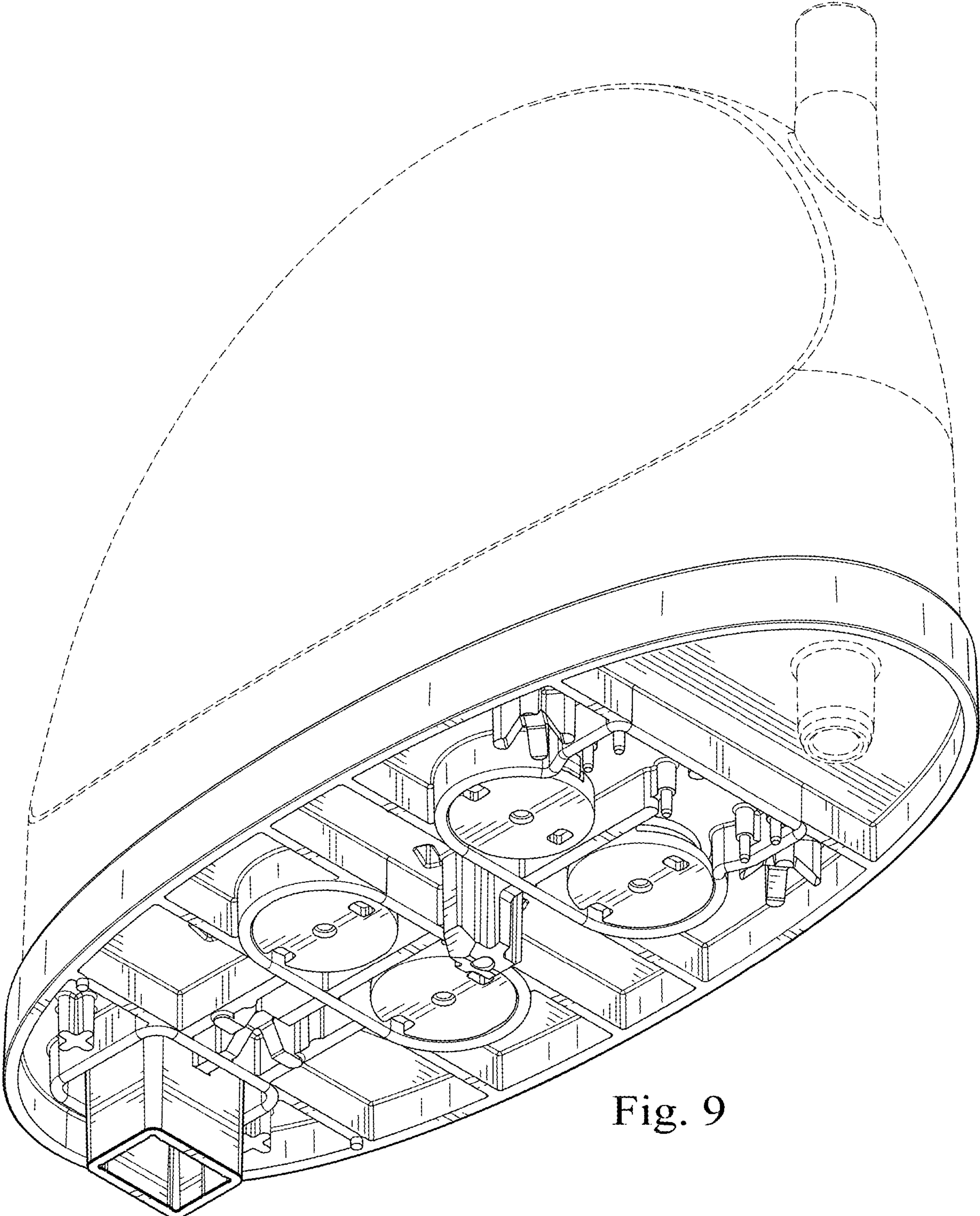


Fig. 9

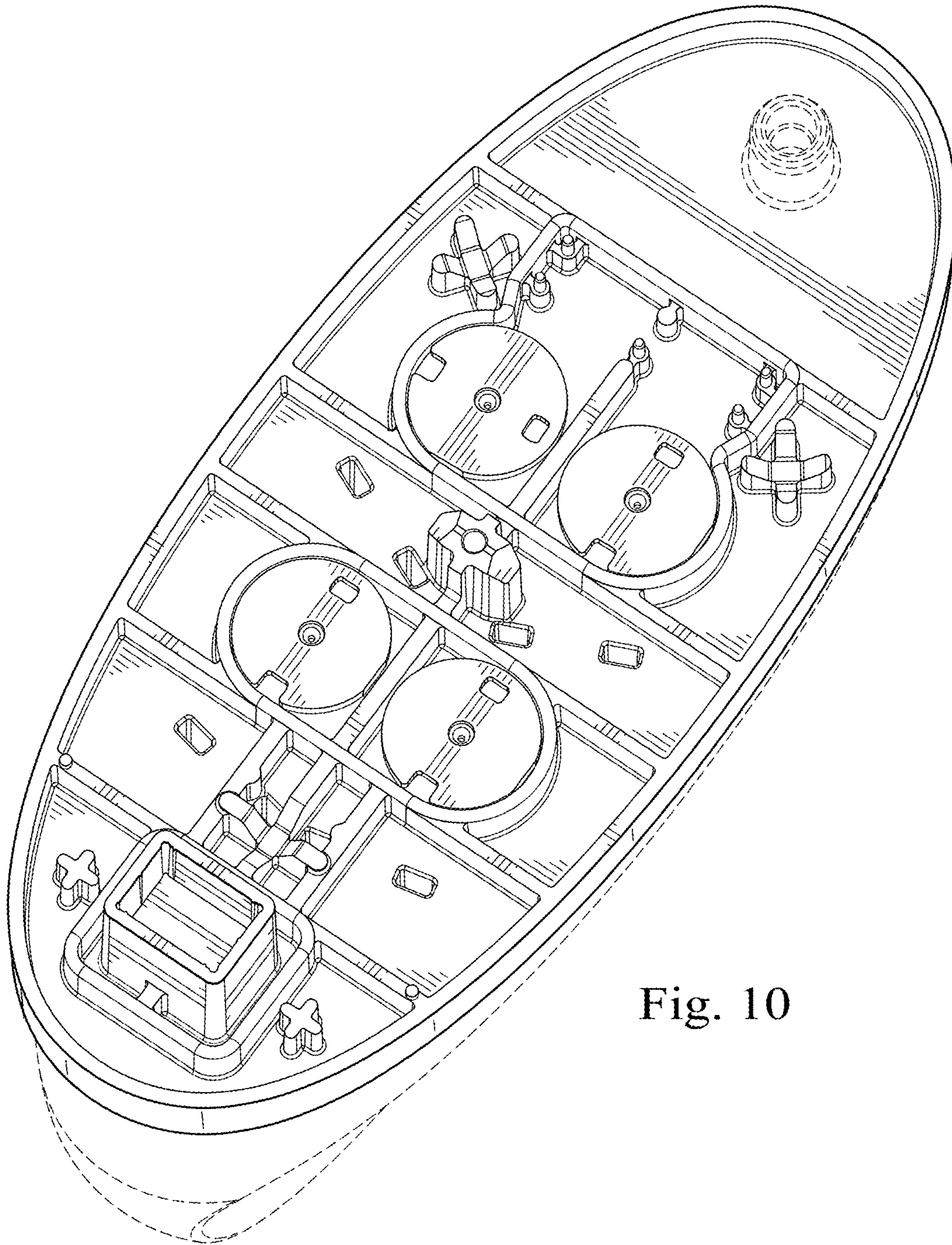


Fig. 10



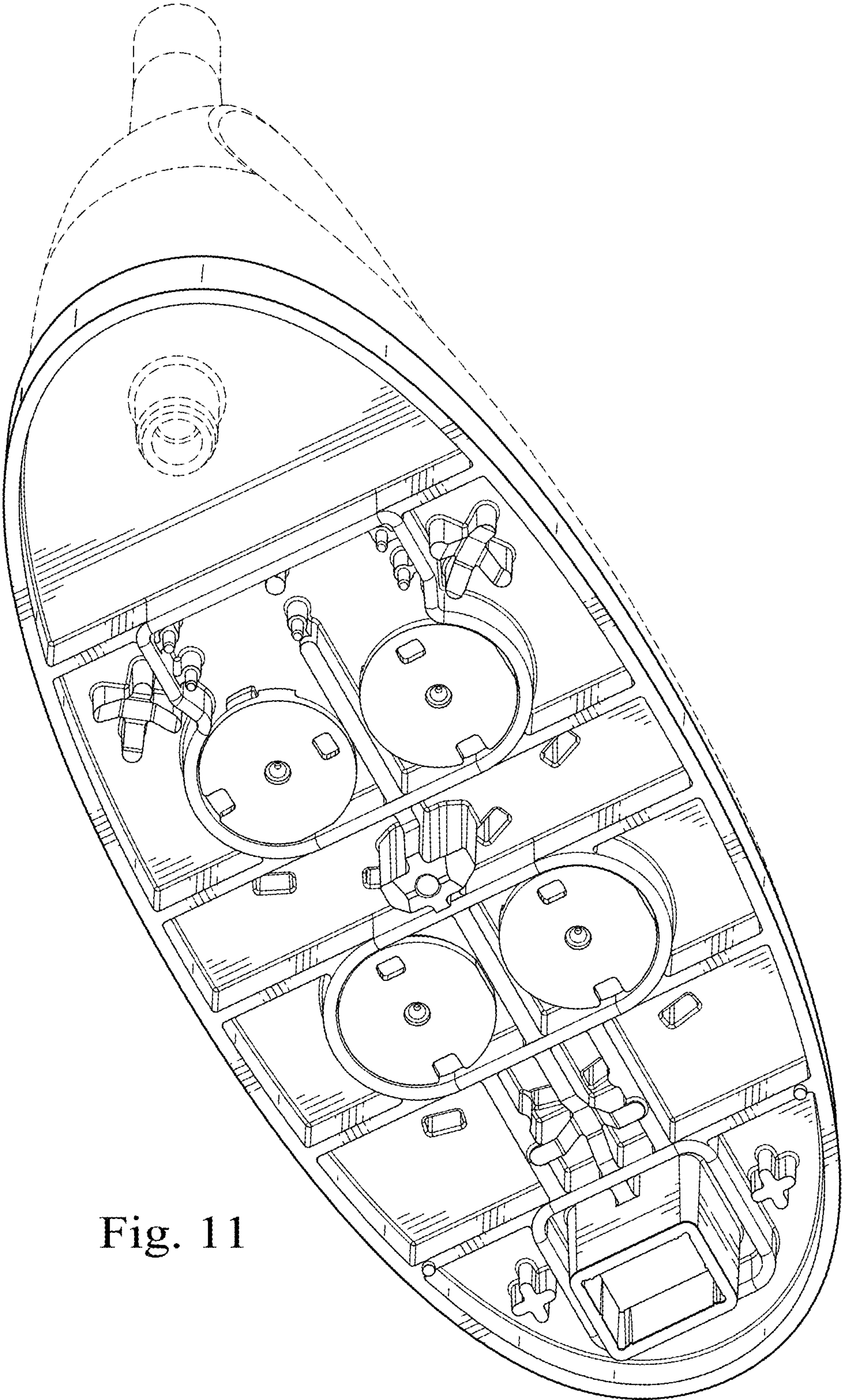


Fig. 11