



US00D874654S

(12) **United States Design Patent**
Martone et al.

(10) **Patent No.:** **US D874,654 S**
(45) **Date of Patent:** **** Feb. 4, 2020**

- (54) **DENTAL GUARD AND TRAY**
- (71) Applicant: **DenTek Oral Care, Inc.**, Tarrytown, NY (US)
- (72) Inventors: **Joseph R. Martone**, Bristol, CT (US);
Josef V. Knutzen, Allendale, NJ (US);
Frank M. Lesniak, Media, PA (US)
- (73) Assignee: **Dentek Oral Care, Inc.**, Tarrytown, NY (US)

4,063,552 A	12/1977	Going et al.	
4,668,188 A	5/1987	Wolfenson et al.	
4,789,334 A *	12/1988	Wedenig	A61C 9/0006 433/37
5,320,114 A	6/1994	Kittelsen et al.	
5,415,544 A	5/1995	Oxman et al.	
5,562,449 A	10/1996	Jacobs et al.	
5,616,027 A	4/1997	Jacobs et al.	
5,718,575 A	2/1998	Cross	
5,769,633 A	6/1998	Jacobs et al.	
D397,442 S	8/1998	Kittelsen	
5,826,581 A	10/1998	Yoshida	
5,836,761 A	11/1998	Belvedere et al.	

(Continued)

(**) Term: **15 Years**

(21) Appl. No.: **29/657,913**

(22) Filed: **Jul. 26, 2018**

(51) **LOC (12) Cl.** **24-02**

(52) **U.S. Cl.**
USPC **D24/180; D24/181**

(58) **Field of Classification Search**
USPC D24/180-182, 176-179, 185, 227;
D29/108; 128/861-862; 433/6, 37, 71
CPC A61C 9/0006; A61C 7/08; A61F 5/566;
A61F 5/56; A61F 2005/563; A61B 5/682;
A63B 71/085
See application file for complete search history.

(56) **References Cited**

U.S. PATENT DOCUMENTS

1,663,695 A	3/1928	Foster
2,705,492 A	4/1955	Chandler
2,706,478 A	4/1955	Malcolm
2,750,941 A	6/1956	Cathcart
2,827,899 A	3/1958	James
3,016,052 A	1/1962	Zubren
3,107,668 A	10/1963	Thompson
3,124,129 A	3/1964	Grossberg
3,224,441 A	12/1965	Monaghan
3,250,272 A	5/1966	Samuel
3,379,193 A	4/1968	Monaghan
3,411,501 A	11/1968	Samuel

Primary Examiner — Wan Laymon

(74) *Attorney, Agent, or Firm* — Taylor English Duma LLP

(57) **CLAIM**

The ornamental design for a dental guard and tray, as shown and described.

DESCRIPTION

FIG. 1 is an upper front exploded perspective view of a dental guard and tray of our new design.

FIG. 2 is a frontal view of the dental guard and tray of FIG. 1.

FIG. 3 is a rear view of the dental guard and tray of FIG. 1.

FIG. 4 is a bottom plan view of the dental guard and tray of FIG. 1.

FIG. 5 is a top plan view of the dental guard and tray of FIG. 1.

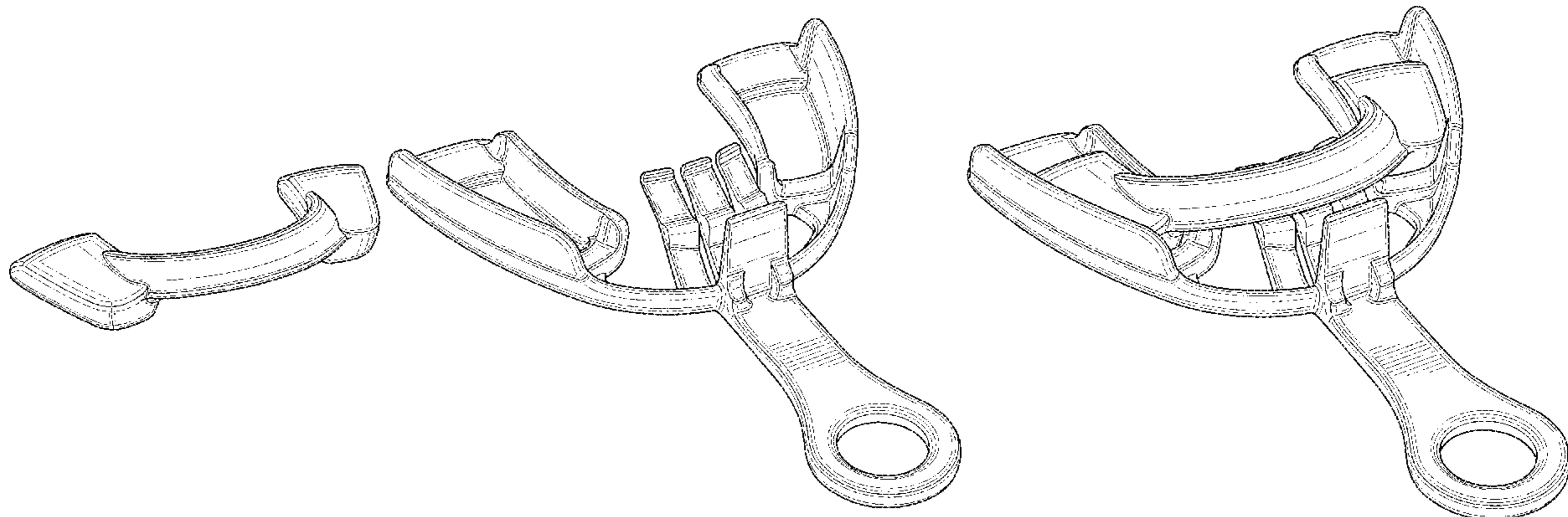
FIG. 6 is a right side view of the dental guard and tray of FIG. 1.

FIG. 7 is a left side view of the dental guard and tray of FIG. 1.

FIG. 8 is an upper front assembled perspective view of a dental guard and tray of our new design; and,

FIG. 9 is a perspective view of the dental guard.

1 Claim, 9 Drawing Sheets



(56)

References Cited

U.S. PATENT DOCUMENTS

5,873,365 A	2/1999	Brown	8,689,796 B2	4/2014	Polk, I	
D406,405 S	3/1999	Yoshida	8,701,673 B2	4/2014	Chodorow	
5,879,155 A	3/1999	Kittelsen	8,733,364 B2	5/2014	Chodorow	
6,152,138 A	11/2000	Brown et al.	8,747,109 B2	6/2014	Crivello et al.	
6,164,278 A	12/2000	Nissani	8,763,613 B2	7/2014	Chodorow	
6,200,133 B1	3/2001	Kittelsen	8,776,799 B2 *	7/2014	Gillis	A61F 5/566
6,302,690 B1 *	10/2001	Brandhorst				128/848
			D743,109 S	11/2015	Charlton	
6,371,758 B1	4/2002	Kittelsen	D759,824 S	6/2016	Luco	
6,491,036 B2	12/2002	Cook	D760,441 S	6/2016	Cody	
6,581,604 B2	6/2003	Cook	9,445,879 B1	9/2016	Crivello et al.	
6,820,623 B2	11/2004	Cook	9,622,837 B2	4/2017	Jansheski	
6,978,786 B2	12/2005	Sabbagh	9,642,739 B2	5/2017	Schlatter	
7,305,990 B2	12/2007	Mathias	9,737,377 B2	8/2017	Frey	
7,490,609 B2	2/2009	Brown	9,795,462 B2	10/2017	Crivello et al.	
7,571,727 B2	8/2009	Croll	D839,435 S *	1/2019	Way	D24/181
D614,304 S	4/2010	Jansheski	10,195,071 B2 *	2/2019	Vezina	A61F 5/566
7,827,991 B2	11/2010	Maher	2011/0171593 A1 *	7/2011	Ross	A61C 9/0006
7,832,404 B2	11/2010	Jansheski				433/41
D641,478 S	7/2011	Belvedere et al.	2014/0224259 A1	8/2014	Frey et al.	
8,113,206 B2	2/2012	Roettger et al.	2014/0224260 A1	8/2014	Frey et al.	
8,196,587 B2	6/2012	Chodorow	2015/0004555 A1	1/2015	Frey et al.	
8,202,091 B2	6/2012	Lewis et al.	2015/0007831 A1 *	1/2015	Barrett	A61F 5/0006
8,322,344 B2	12/2012	Fisher et al.				128/861
8,453,650 B1	6/2013	Frey	2016/0143770 A1 *	5/2016	Vezina	A61F 5/566
D688,832 S	8/2013	Polk, I				128/861
8,567,408 B2	10/2013	Roettger et al.	2016/0175137 A1	6/2016	Karni	
8,656,923 B2	2/2014	Fisher et al.	2017/0007906 A1	1/2017	Vece et al.	
			2017/0165102 A1	6/2017	Walls	
			2017/0304108 A1	10/2017	Simonetti	

* cited by examiner

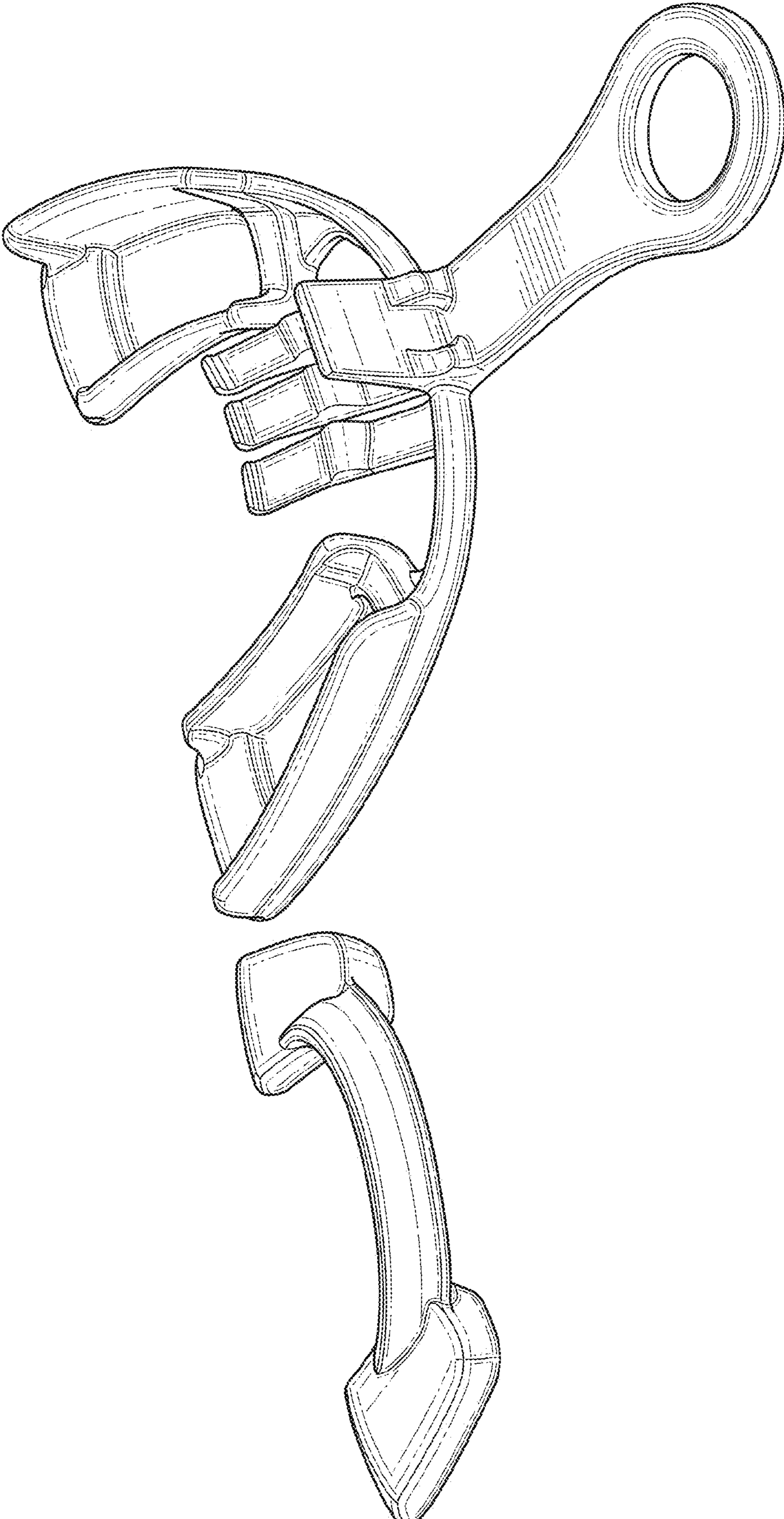


FIG. 1

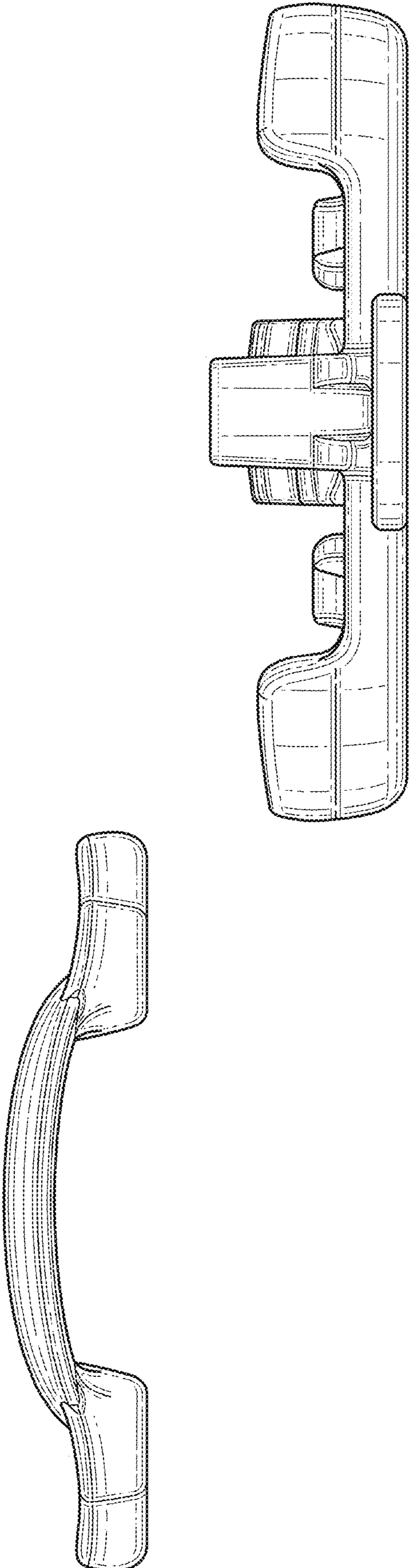


FIG. 2

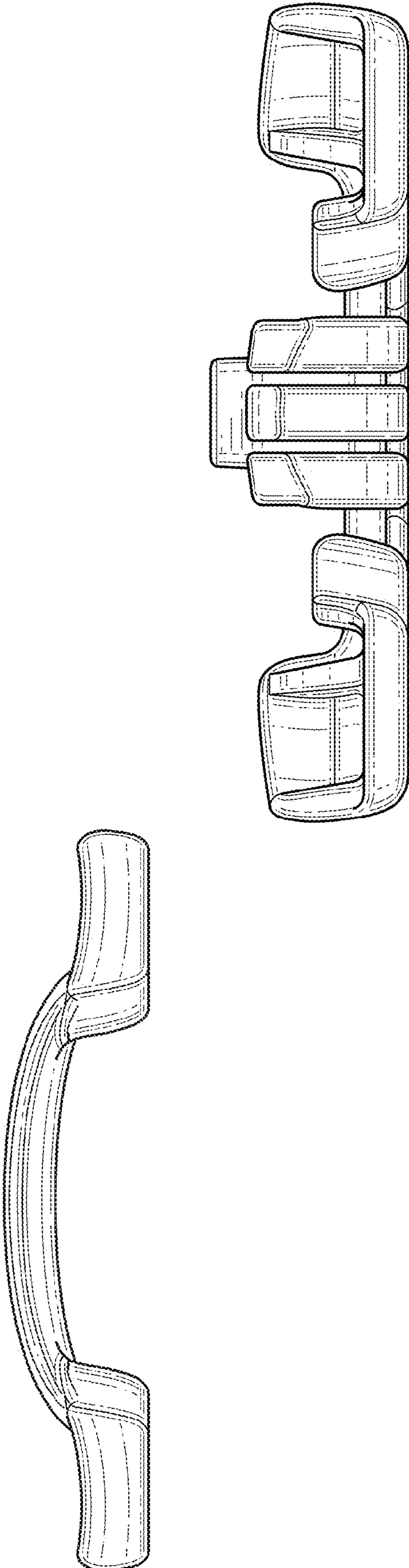


FIG. 3

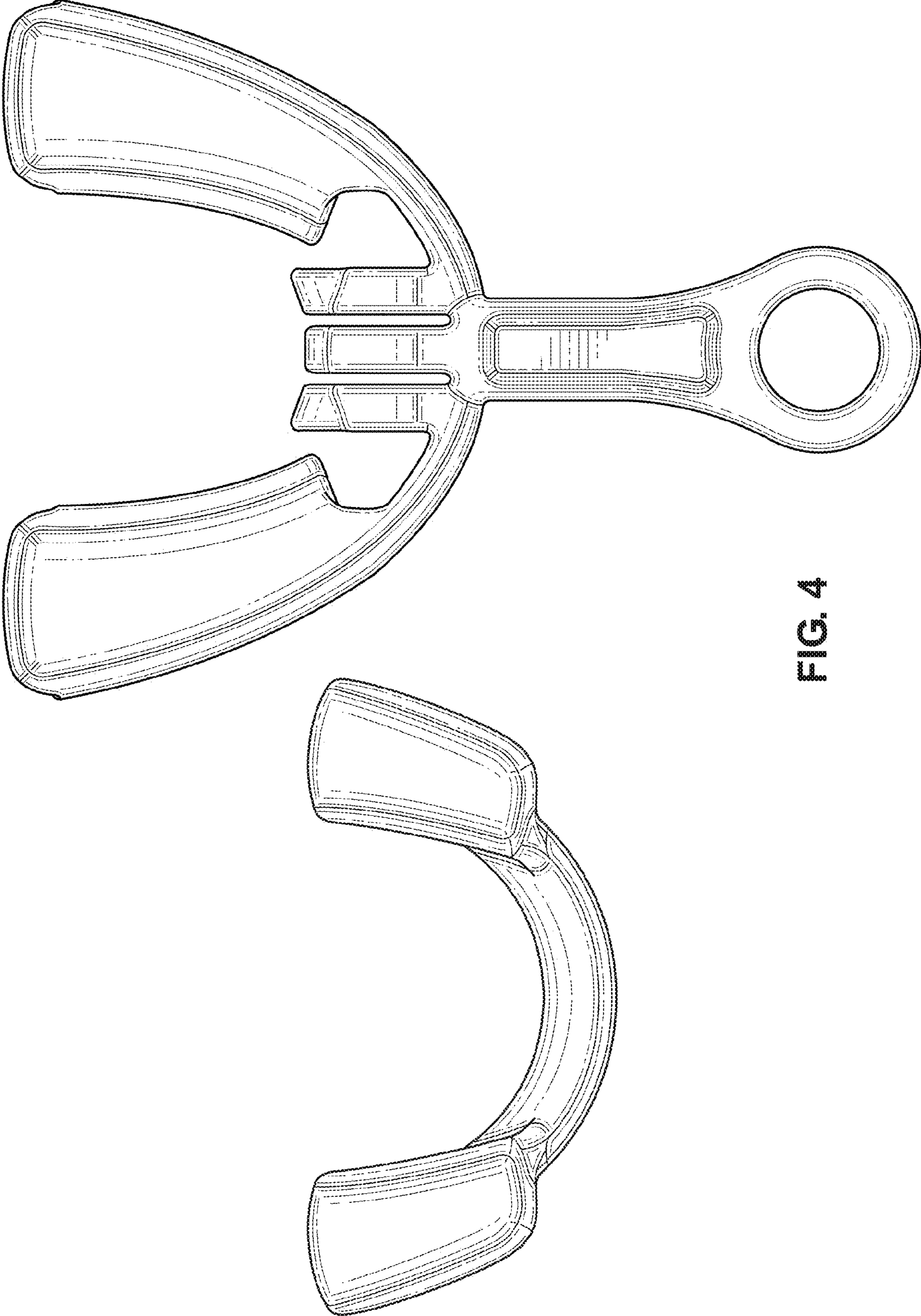


FIG. 4

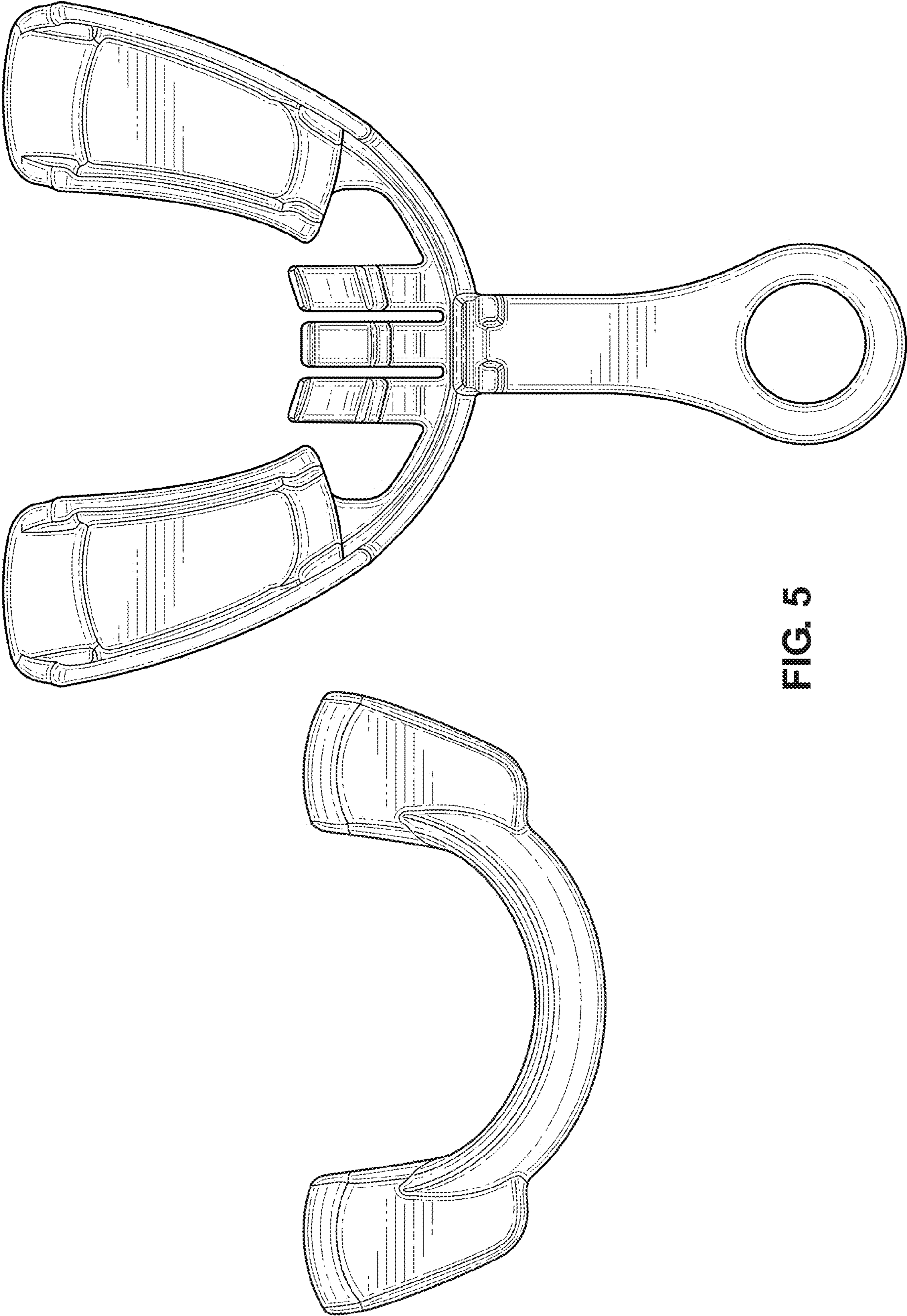


FIG. 5

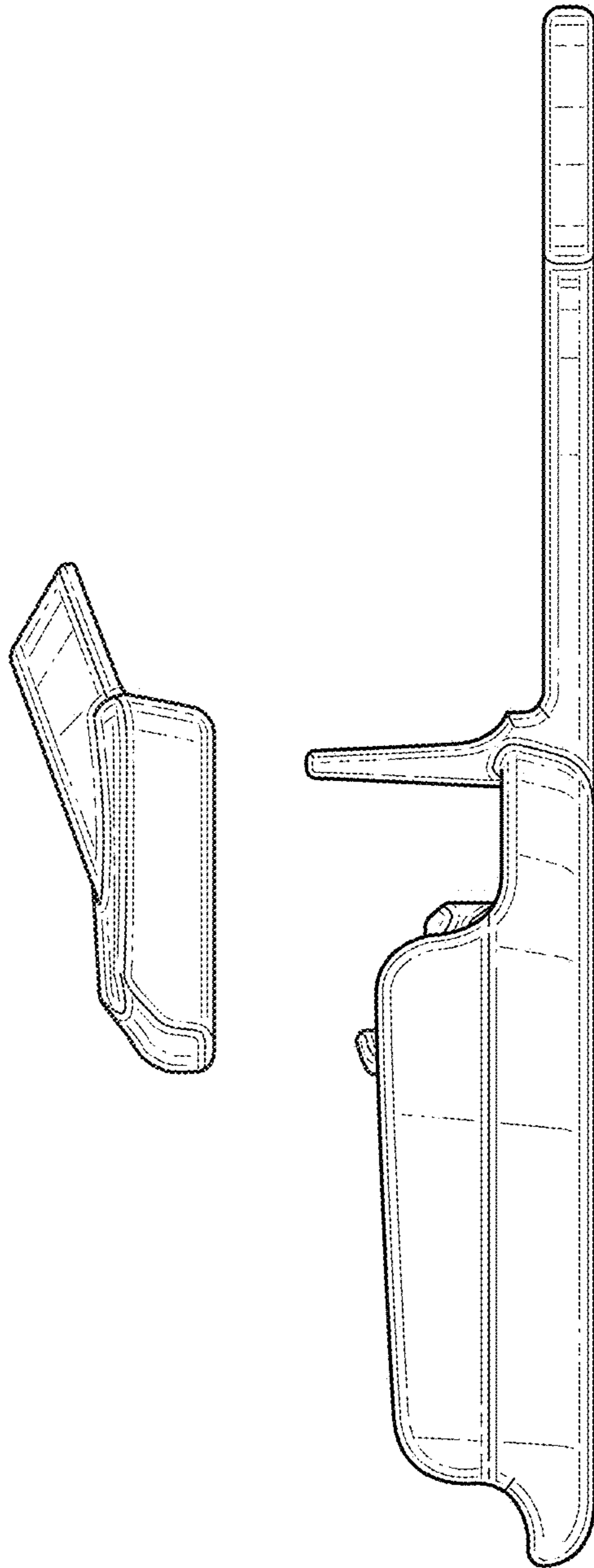


FIG. 6

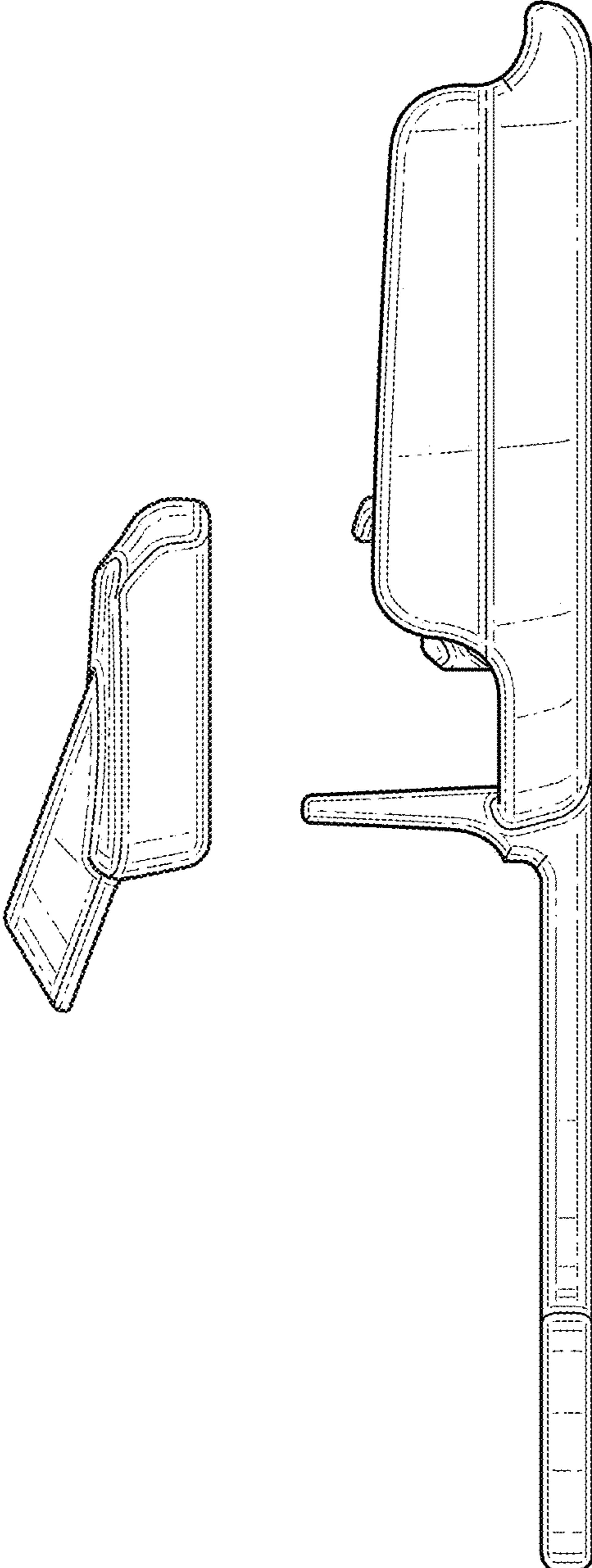


FIG. 7

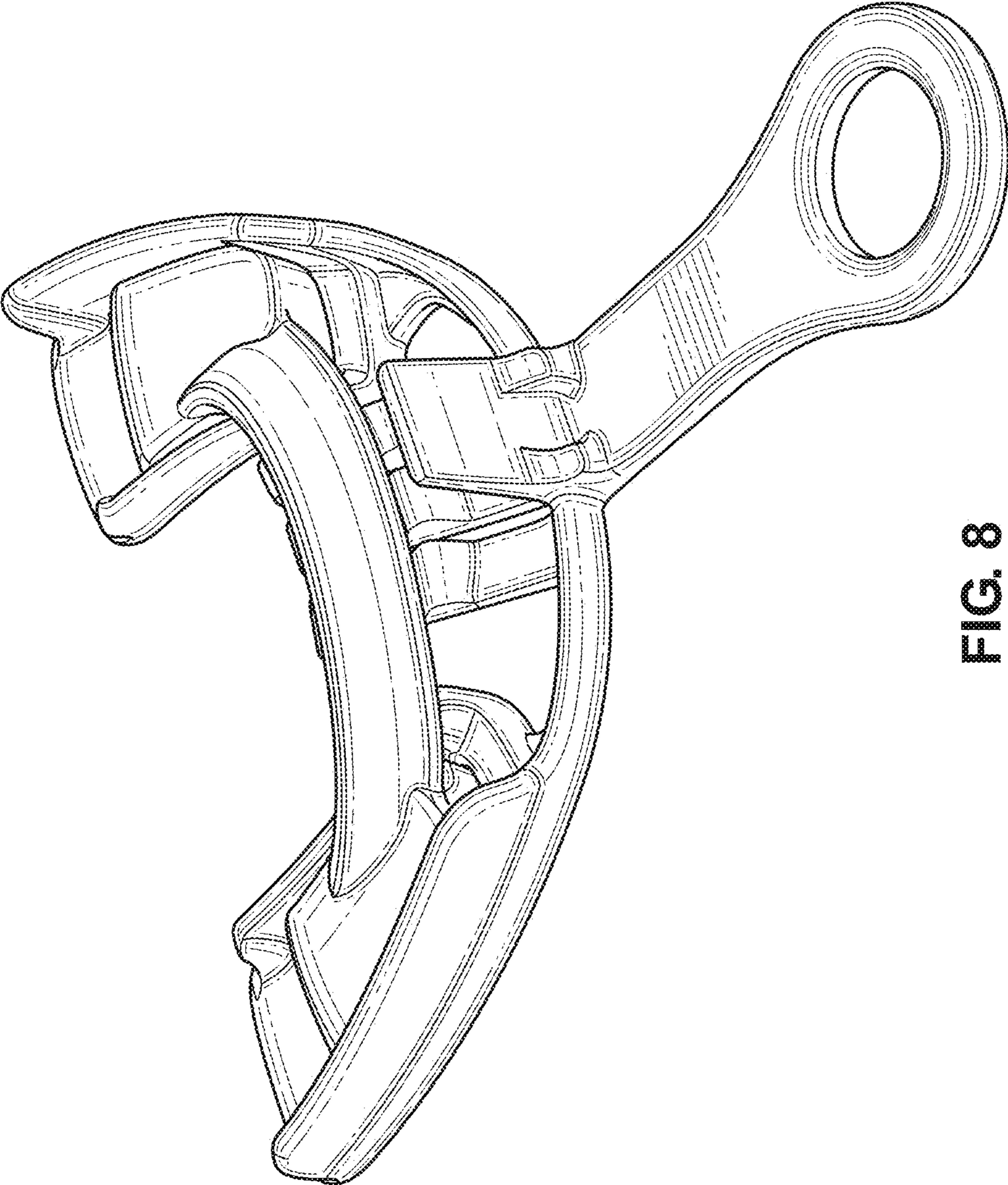


FIG. 8

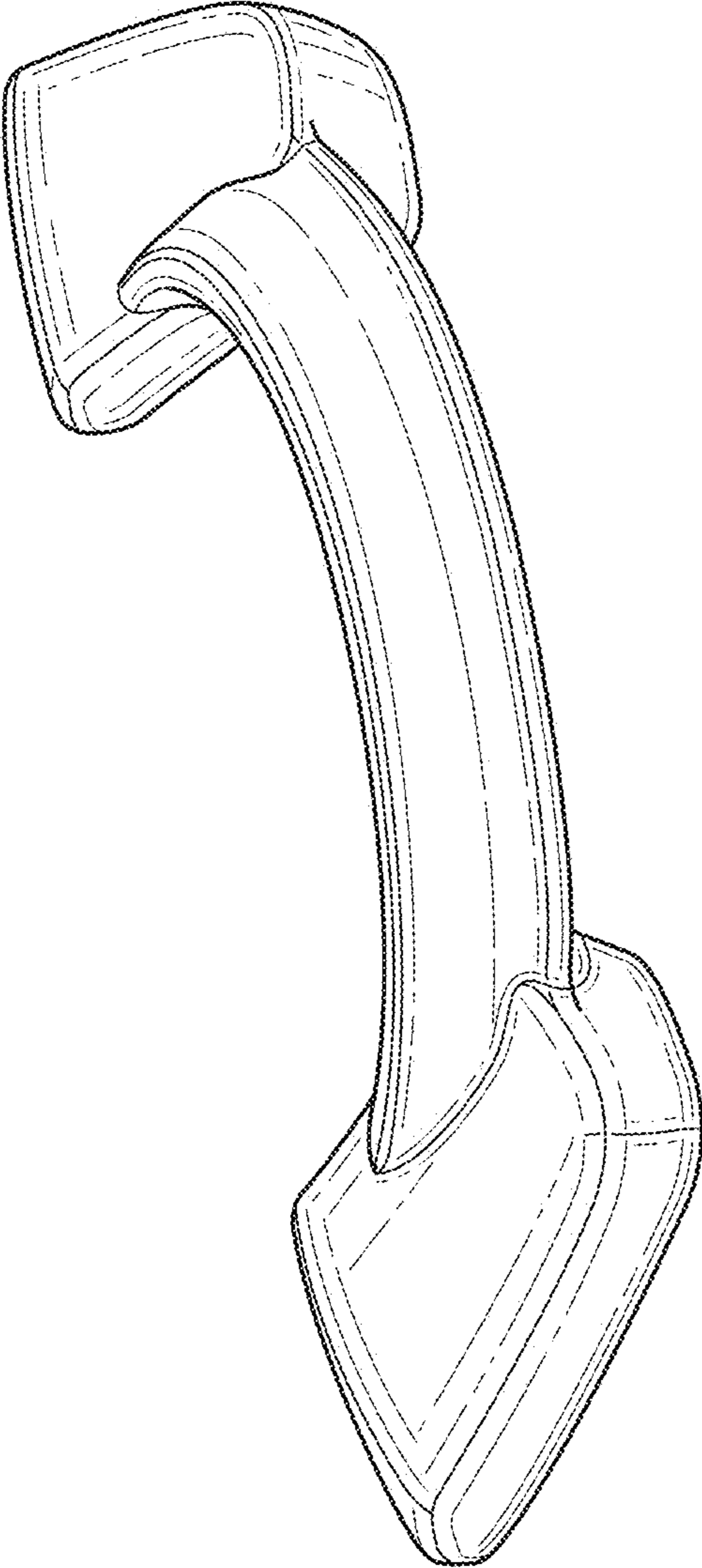


FIG. 9