



US00D874651S

(12) **United States Design Patent**  
**Barber et al.**

(10) **Patent No.:** **US D874,651 S**

(45) **Date of Patent:** **\*\* Feb. 4, 2020**

(54) **COUPLING FOR MEDICAL IMAGING DEVICE**

(71) Applicant: **Siemens Healthcare Limited,**  
Camberley (GB)

(72) Inventors: **David Barber,** Oxon (GB); **Anders Mortensen,** Oxon (GB); **Philip Alan Charles Walton,** Oxon (GB)

(73) Assignee: **Siemens Healthcare Limited,**  
Camberley (GB)

(\*\*) Term: **15 Years**

(21) Appl. No.: **29/629,941**

(22) Filed: **Dec. 18, 2017**

(30) **Foreign Application Priority Data**

Jun. 19, 2017 (CN) ..... 2017 3 0252601

(51) **LOC (12) Cl.** ..... **24-01**

(52) **U.S. Cl.**  
USPC ..... **D24/158**

(58) **Field of Classification Search**  
USPC ..... D24/107, 158-161, 185, 186, 187, 231,  
D24/129; D8/349, 382  
CPC ... G01R 33/3804; G01R 33/3815; H01F 6/04;  
F25D 19/006; F25D 19/145  
See application file for complete search history.

(56) **References Cited**

**U.S. PATENT DOCUMENTS**

4,667,487 A \* 5/1987 Miller ..... F25D 19/006  
285/47  
9,719,736 B1 \* 8/2017 Pourrahimi ..... F28F 9/26

D827,138 S \* 8/2018 Sun ..... D24/158  
D840,540 S \* 2/2019 Brogan ..... D24/158  
2007/0271933 A1 \* 11/2007 Miki ..... F25D 19/006  
62/51.1  
2010/0050661 A1 \* 3/2010 Snow ..... F25B 9/14  
62/51.1  
2012/0081117 A1 \* 4/2012 Jiang ..... F25D 19/00  
324/318  
2016/0078987 A1 \* 3/2016 Simpkins ..... F25D 19/006  
505/163

\* cited by examiner

*Primary Examiner* — Anhdao Doan

(74) *Attorney, Agent, or Firm* — Schiff Hardin LLP

(57) **CLAIM**

The ornamental design for a coupling for medical imaging device, as shown and described.

**DESCRIPTION**

FIG. 1 is a front elevational view of a coupling for medical imaging device showing our new design;  
FIG. 2 is a back elevational view thereof;  
FIG. 3 is a top plan view thereof;  
FIG. 4 is a bottom plan view thereof;  
FIG. 5 is a right side elevational view thereof;  
FIG. 6 is a left side elevational view thereof; and,  
FIG. 7 is a perspective view taken generally from the bottom, front, right-hand side thereof.

**1 Claim, 7 Drawing Sheets**

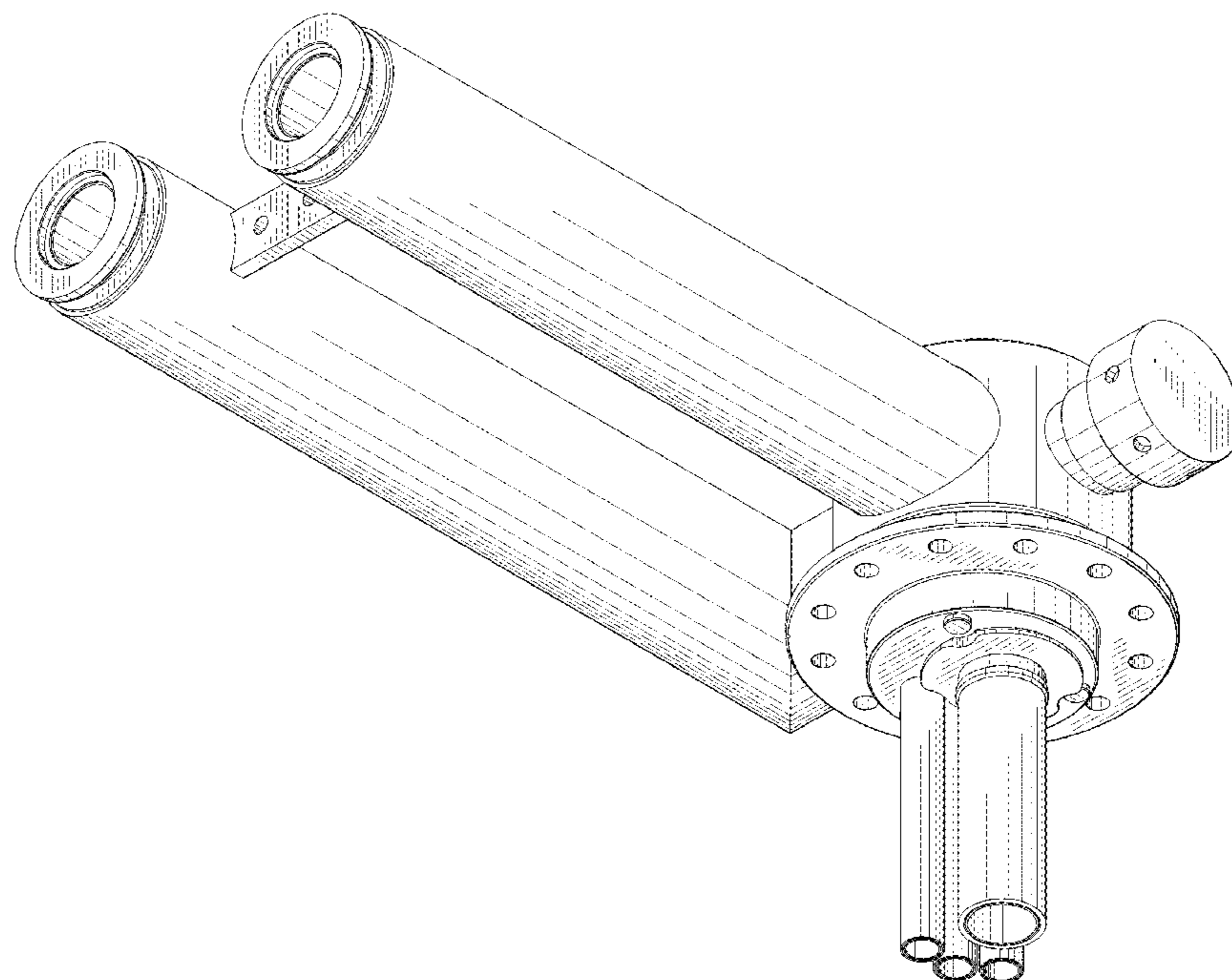


FIG. 1

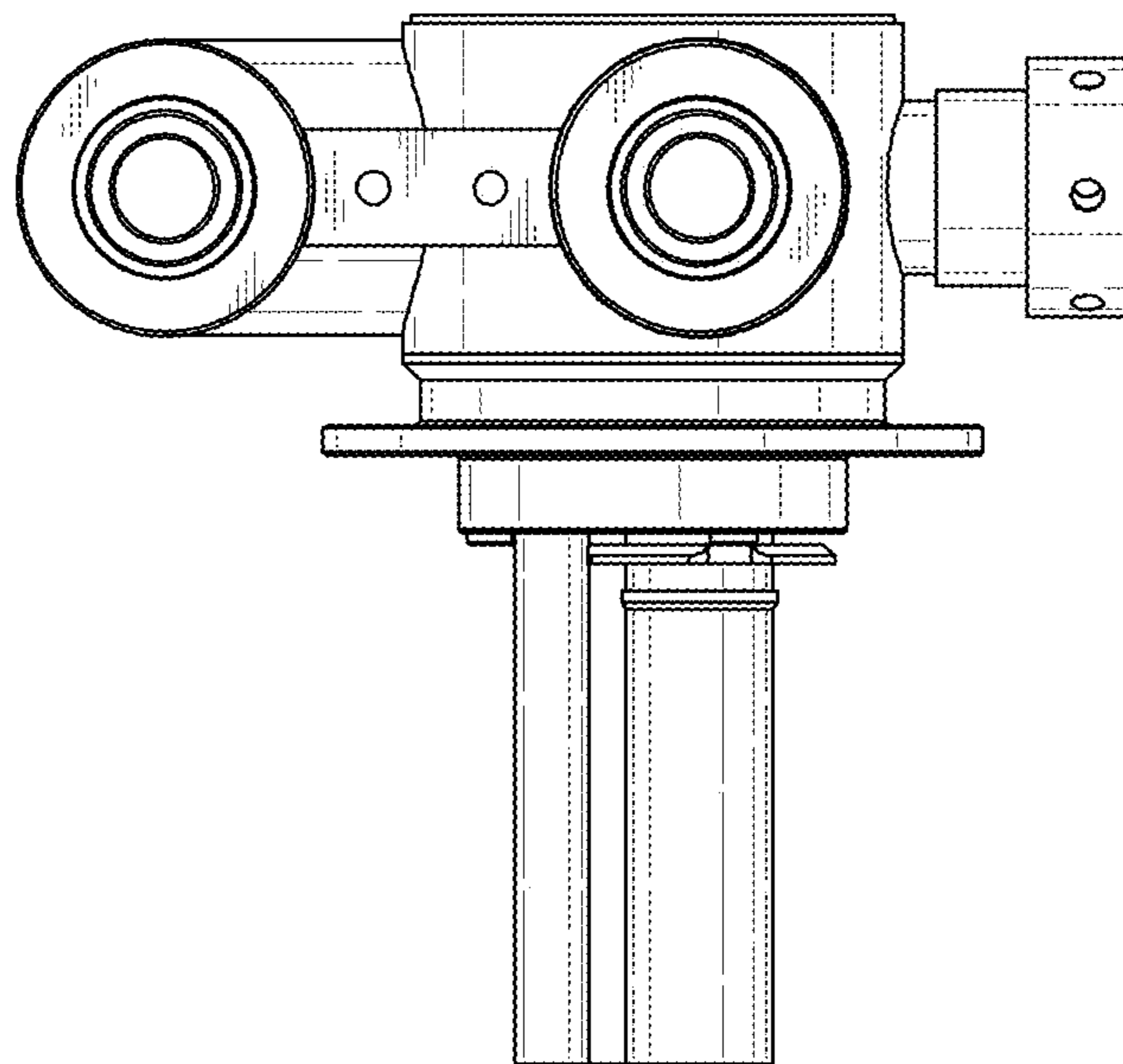


FIG. 2

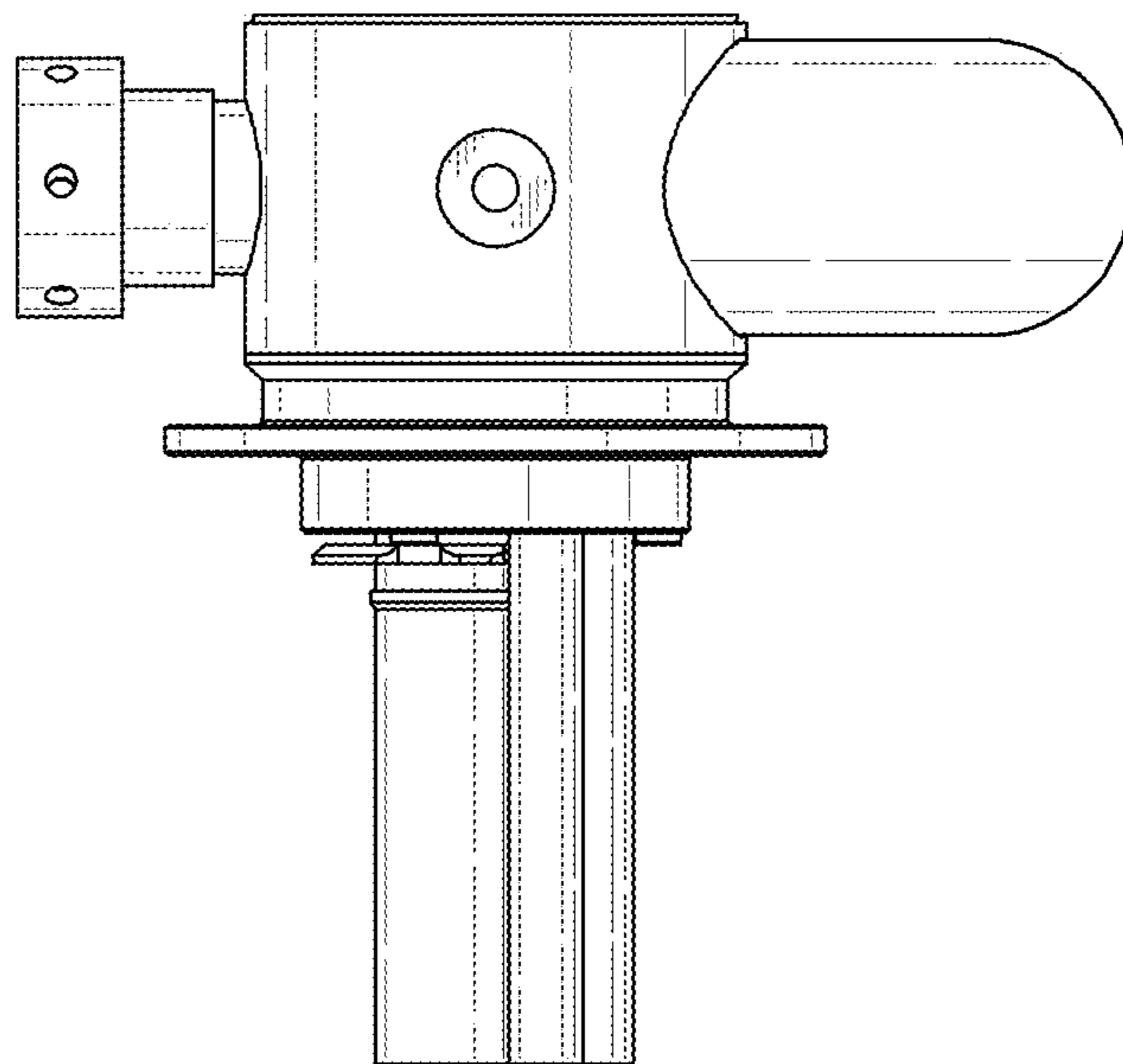


FIG. 3

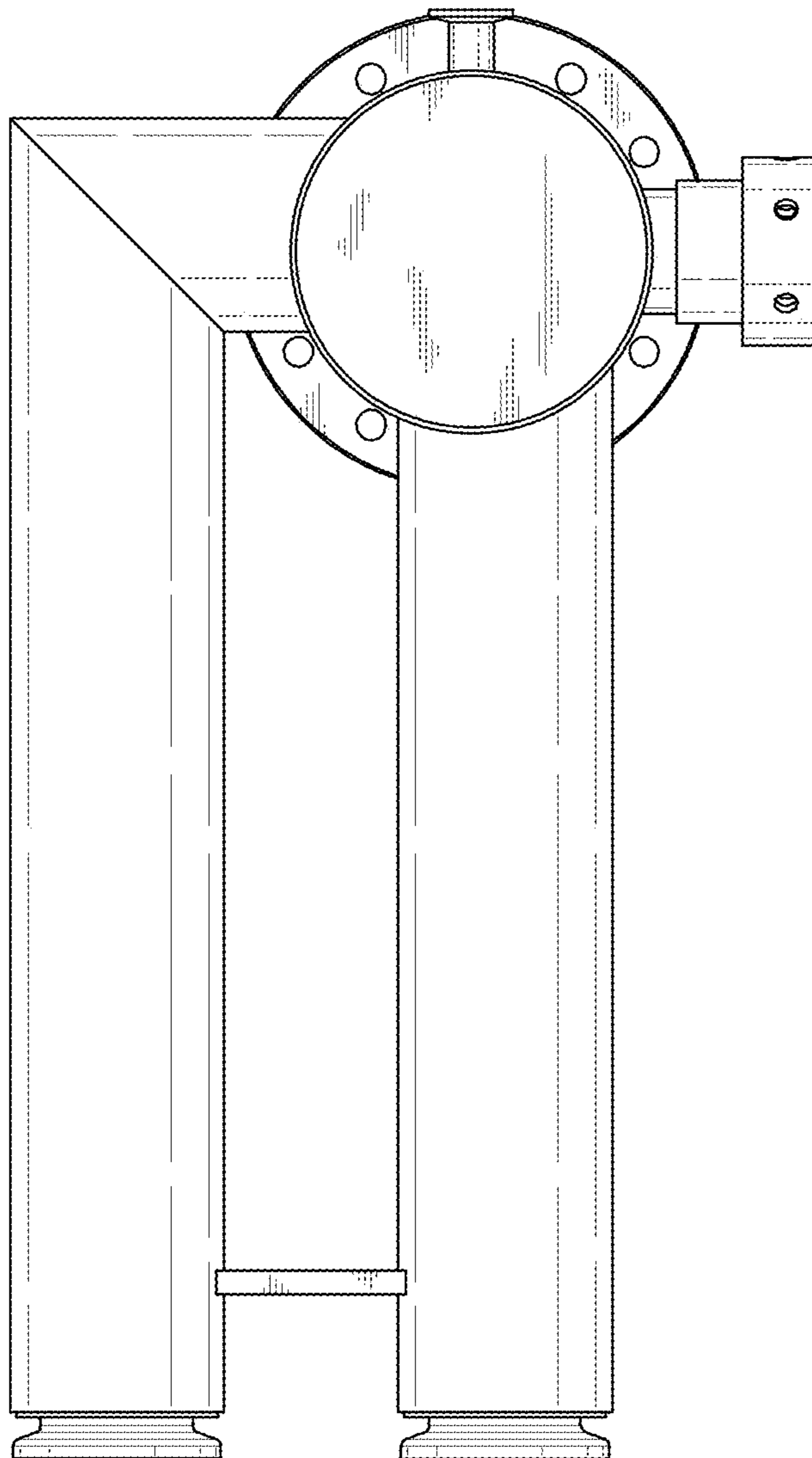


FIG. 4

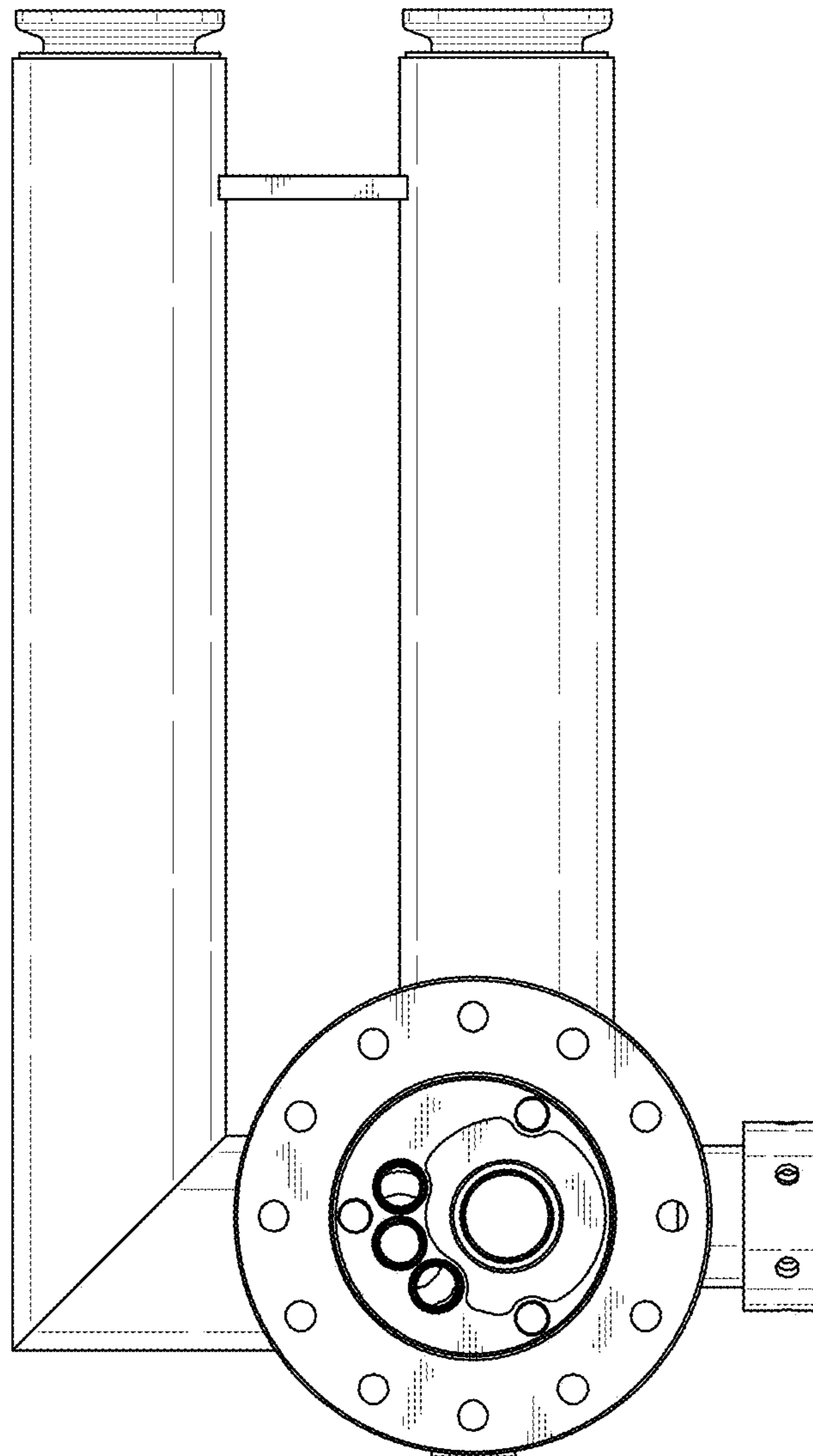


FIG. 5

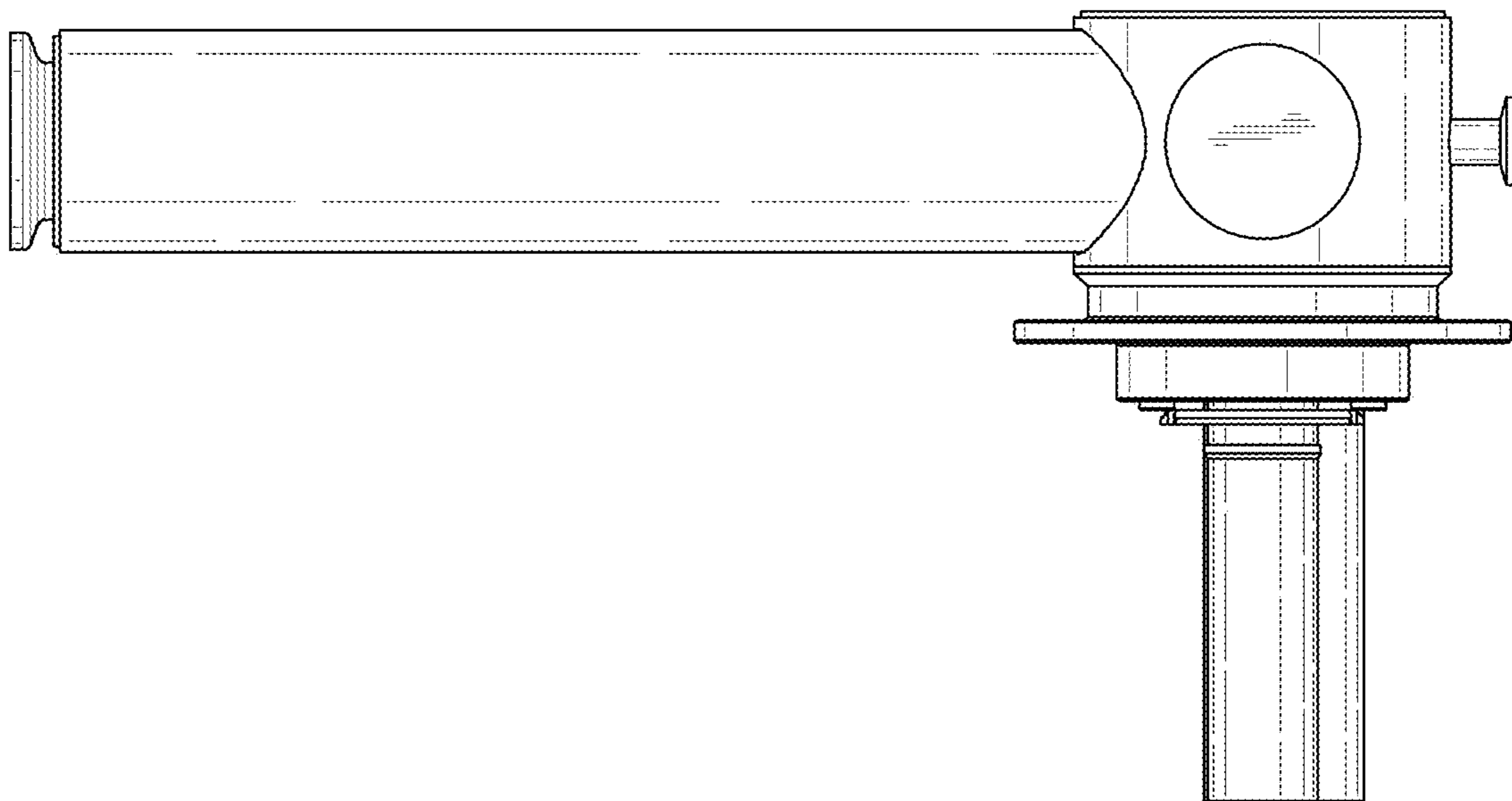
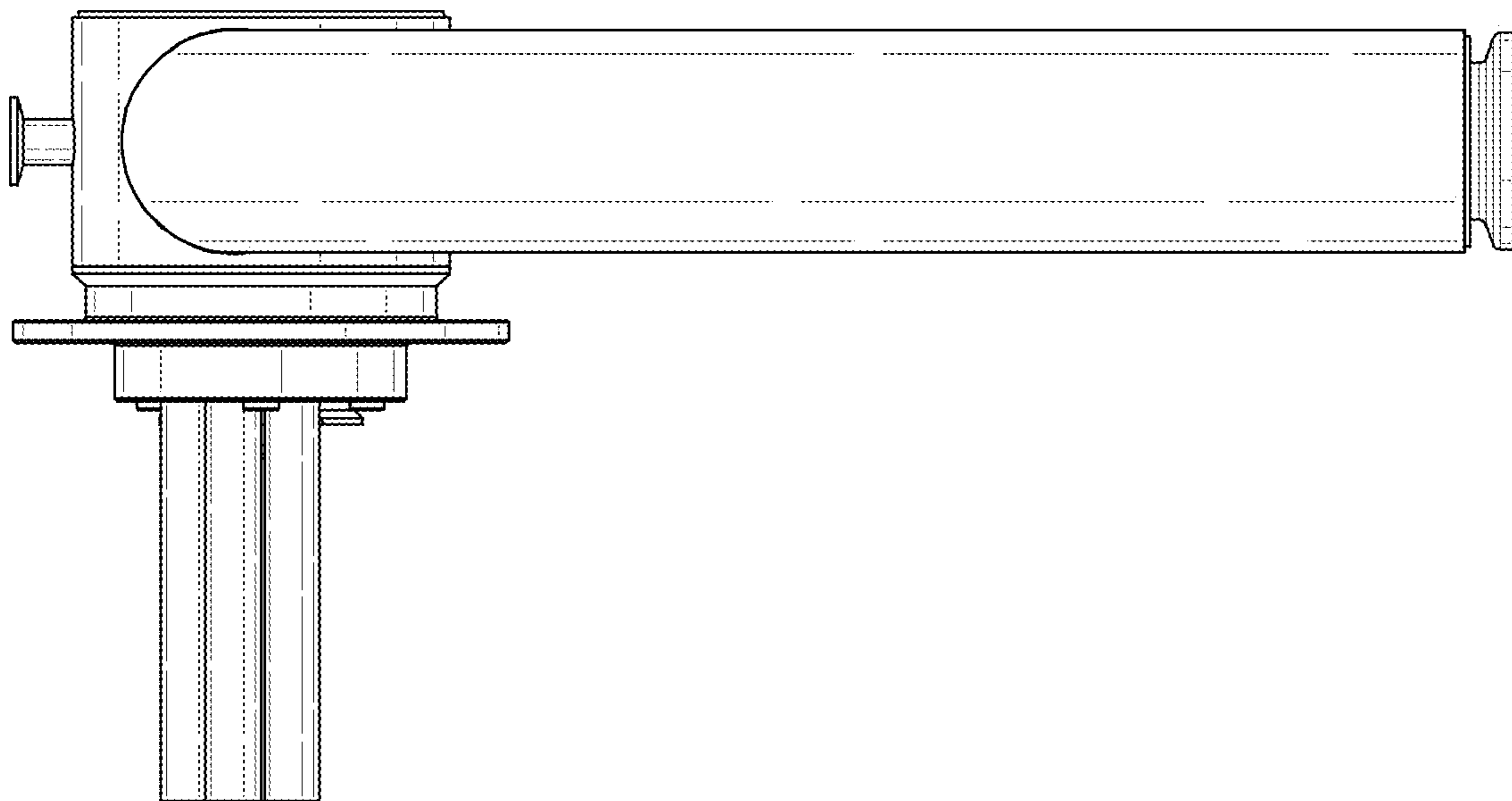


FIG. 6



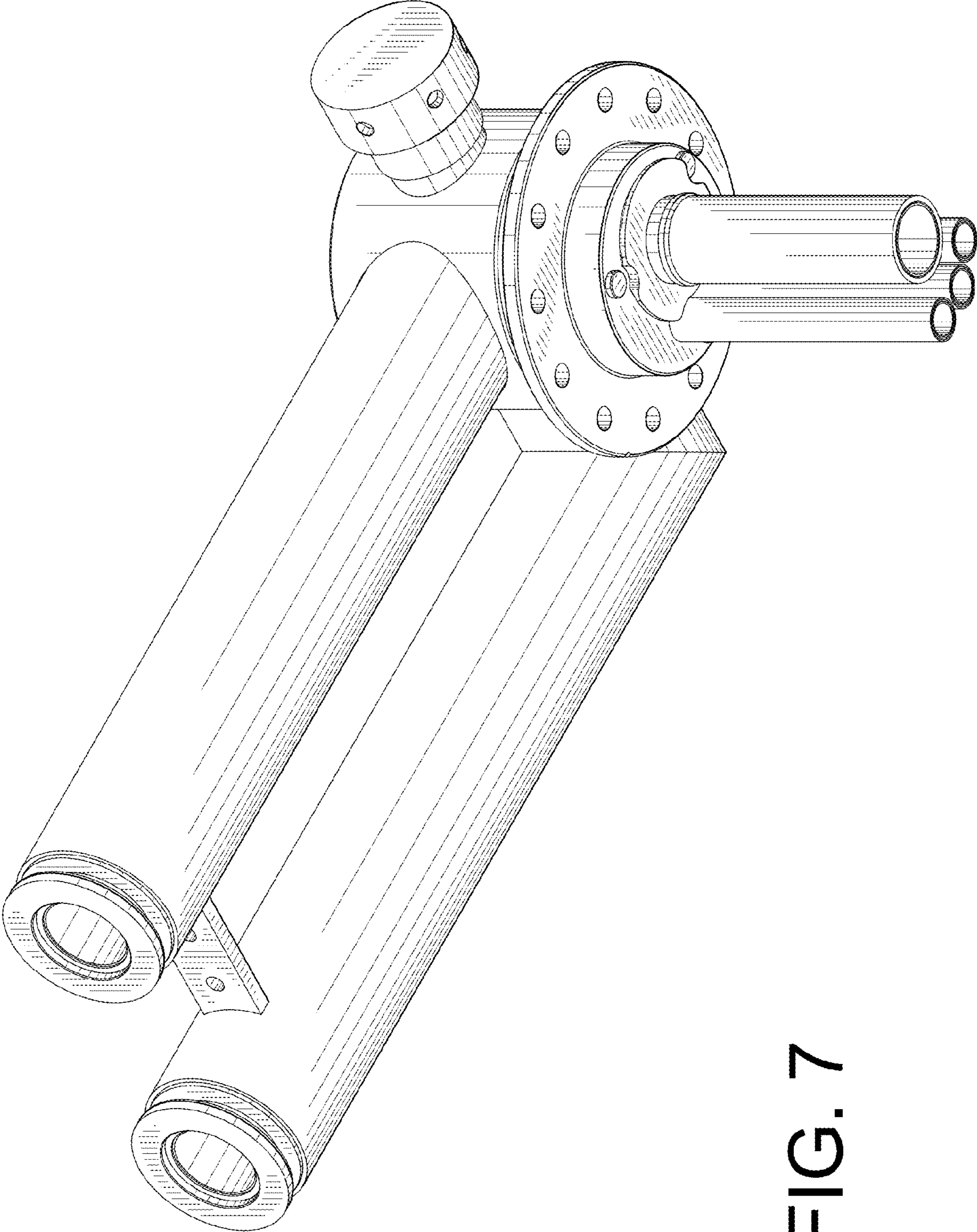


FIG. 7