



US00D874649S

(12) **United States Design Patent** (10) **Patent No.:** **US D874,649 S**
Gonzalez et al. (45) **Date of Patent:** **** Feb. 4, 2020**

(54) **POWER DRIVEN SURGICAL TOOL**

(71) Applicant: **OsteoMed LLC**, Addison, TX (US)

(72) Inventors: **Mario Gonzalez**, Addison, TX (US);
Eric Mickelson, Addison, TX (US);
Dan Davison, Addison, TX (US);
Gregg Prisco, Addison, TX (US);
Jason Barber, Addison, TX (US);
Charles R. Forton, Frisco, TX (US);
Brian R. Conroy, Addison, TX (US)

(**) Term: **15 Years**

(21) Appl. No.: **29/578,307**

(22) Filed: **Sep. 20, 2016**

(51) **LOC (12) Cl.** **24-02**

(52) **U.S. Cl.**
USPC **D24/146**

(58) **Field of Classification Search**
USPC D24/133, 144, 145, 146, 147, 152, 171,
D24/182
CPC A61B 17/88
See application file for complete search history.

(56) **References Cited**

U.S. PATENT DOCUMENTS

2,979,089	A	4/1961	Piesker	
4,878,404	A	11/1989	Liao	
5,536,267	A	7/1996	Edwards et al.	
6,536,536	B1	3/2003	Gass et al.	
D490,152	S *	5/2004	Myall	D24/133
7,185,562	B2	3/2007	Raines, Jr. et al.	
D559,385	S *	1/2008	Boone	D24/133
D560,805	S *	1/2008	Young	D24/146
7,441,480	B2	10/2008	Raines, Jr. et al.	
8,747,392	B2	6/2014	Le et al.	
D715,936	S *	10/2014	Darian	D24/144
D731,057	S *	6/2015	Gitman	D24/147

D733,876	S *	7/2015	Rydberg	D24/146
D740,939	S *	10/2015	Canady	D24/147
D744,644	S *	12/2015	Lee	D24/133
D746,460	S *	12/2015	Gitman	D24/147
D770,044	S *	10/2016	Fiksen	D24/144
D775,338	S *	12/2016	Gitman	D24/147
D794,193	S *	8/2017	Schuerg	D24/144
D802,769	S *	11/2017	Robertson	D24/167
D818,584	S *	5/2018	Lee	D24/133
2005/0268750	A1	12/2005	Bruce et al.	
2006/0117911	A1	6/2006	Raines et al.	
2007/0125201	A1	6/2007	Raines et al.	
2014/0288536	A1	9/2014	Le et al.	
2014/0296845	A1	10/2014	Miller et al.	
2017/0348037	A1	12/2017	Sexson et al.	
2018/0078298	A1 *	3/2018	Gonzalez	A61B 17/1622

* cited by examiner

Primary Examiner — Eliza Z Bennett-Hattan

(74) *Attorney, Agent, or Firm* — Norton Rose Fulbright
US LLP

(57) **CLAIM**

The ornamental design for an power driven surgical tool, as shown and described.

DESCRIPTION

FIG. 1 is a perspective view of the power driven surgical tool;

FIG. 2 is a front view thereof;

FIG. 3 is a rear view thereof;

FIG. 4 is a right side view thereof;

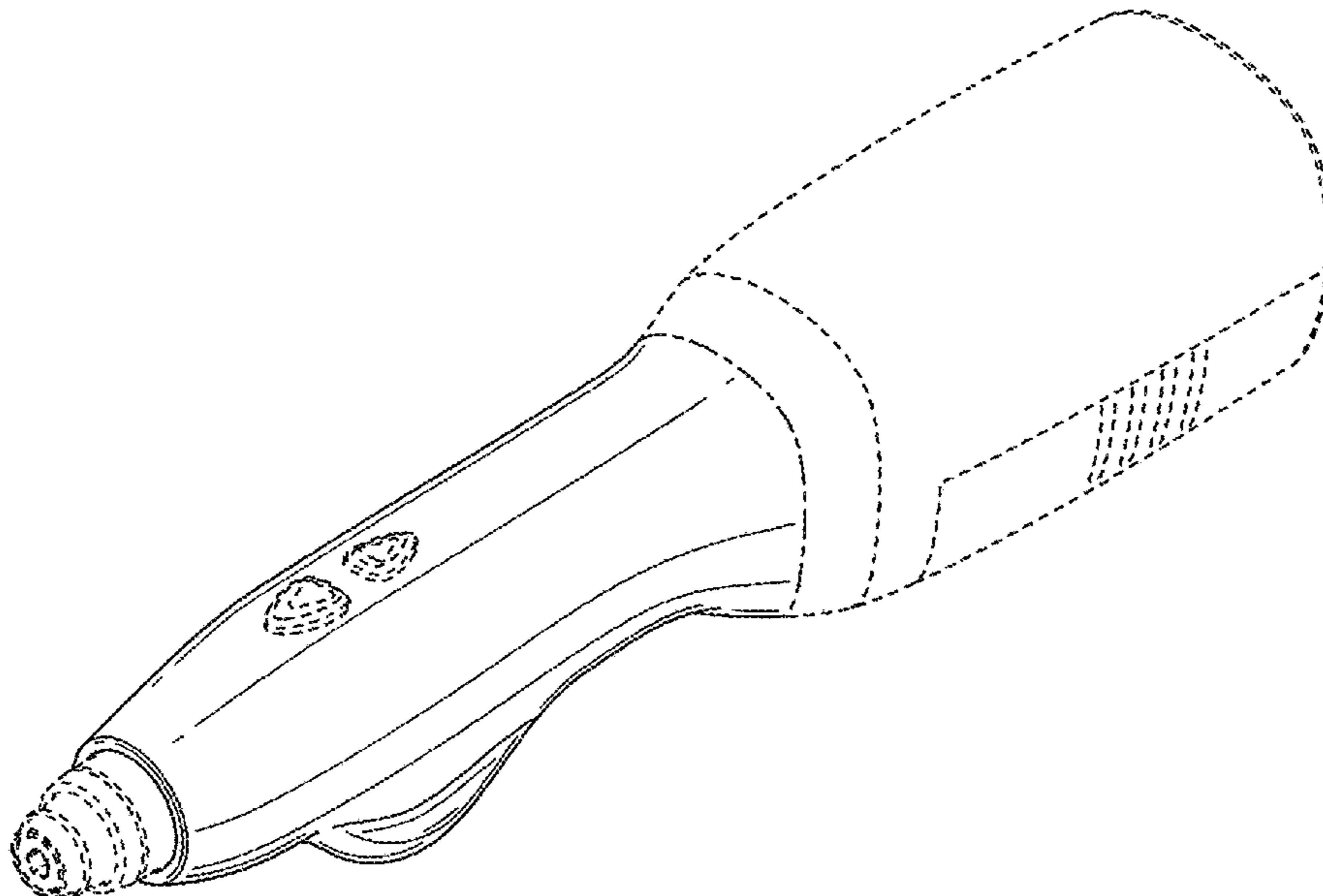
FIG. 5 is a left side view thereof;

FIG. 6 is a top view thereof; and,

FIG. 7 is a bottom view thereof.

The broken lines disclose unclaimed environmental structure while the dash dot lines represent the boundary of the claim and form no part of the claimed design.

1 Claim, 6 Drawing Sheets



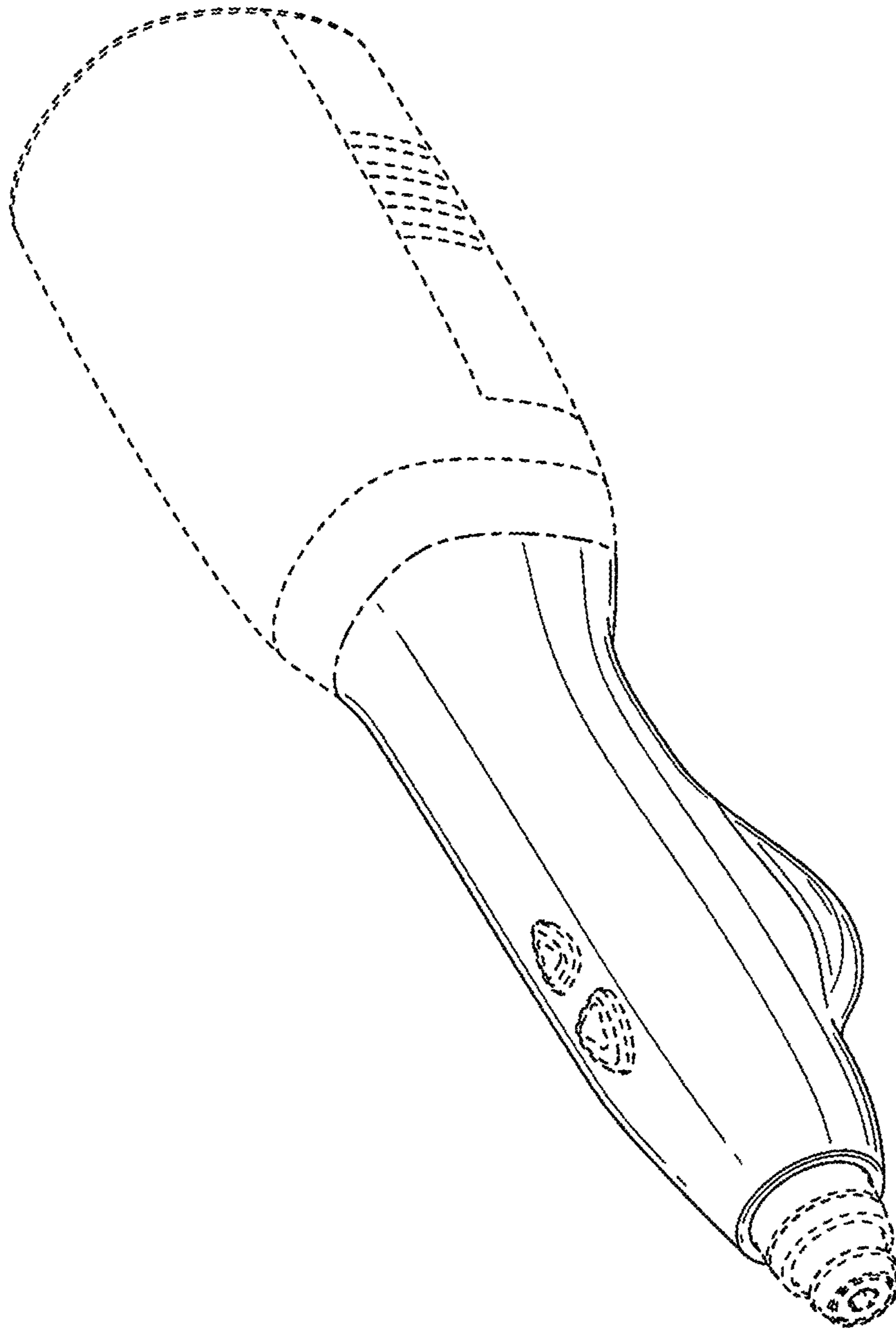


FIG. 1

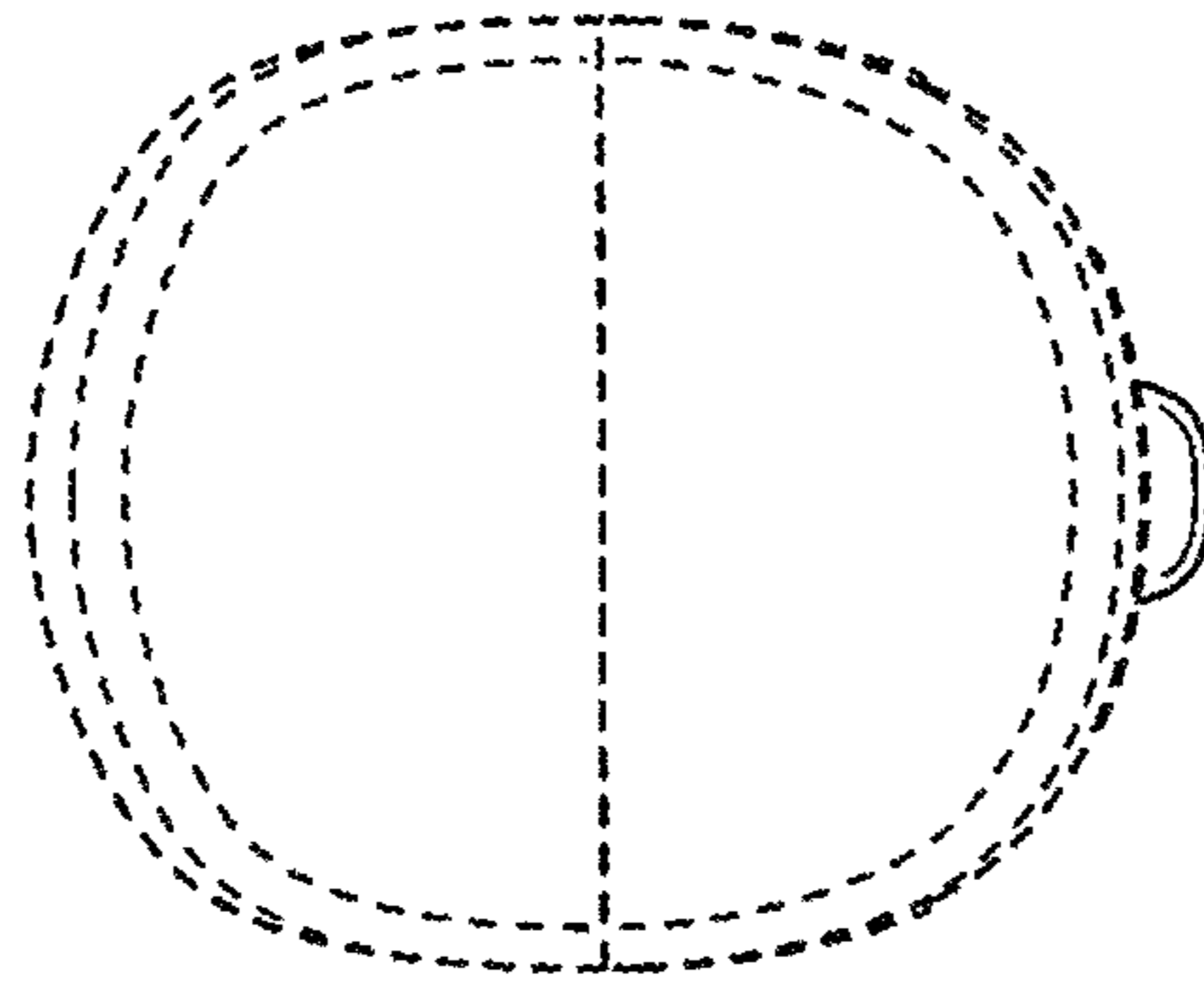


FIG. 3

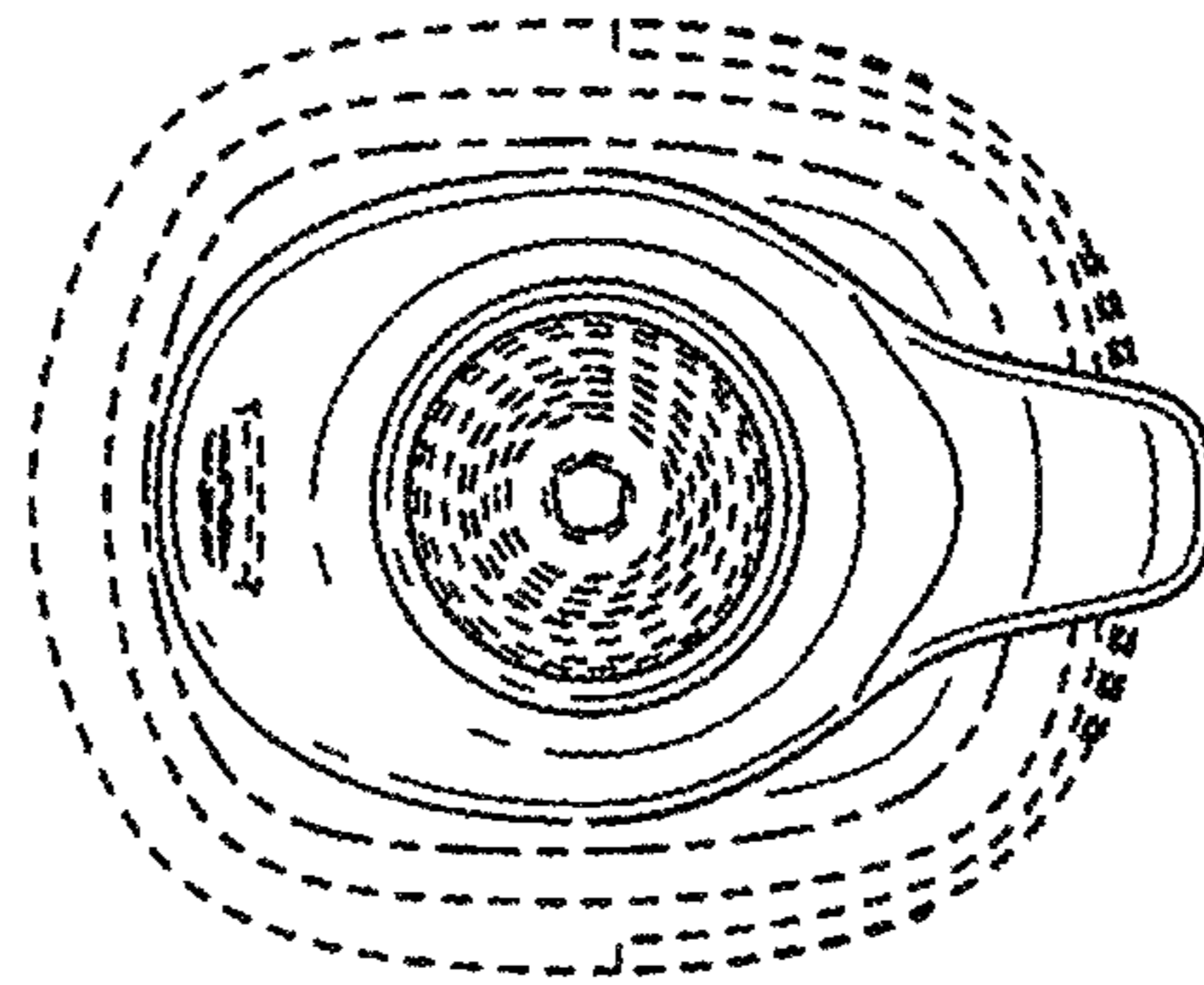


FIG. 2

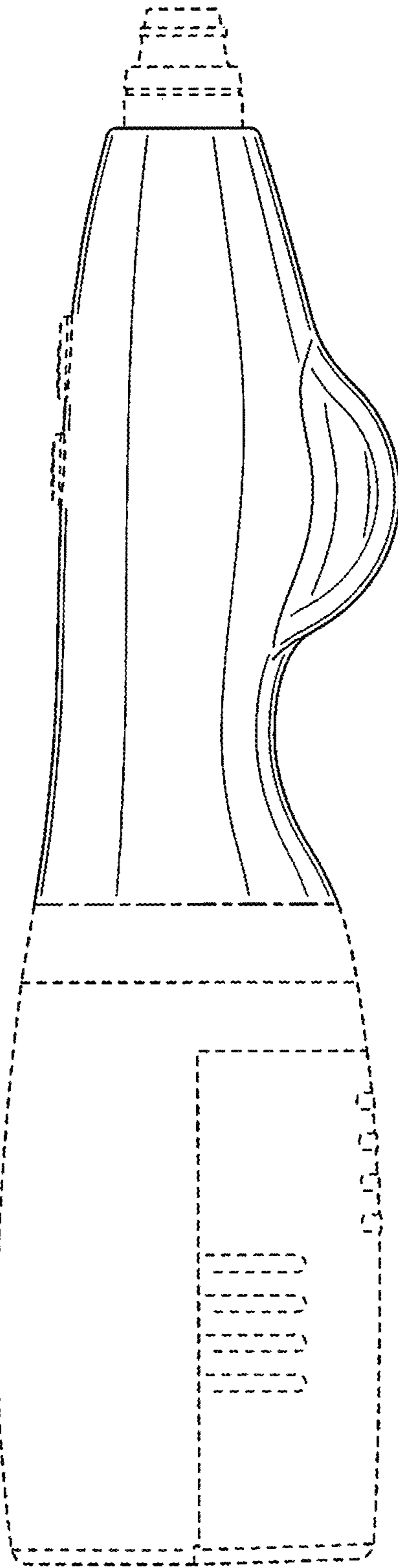


FIG. 4

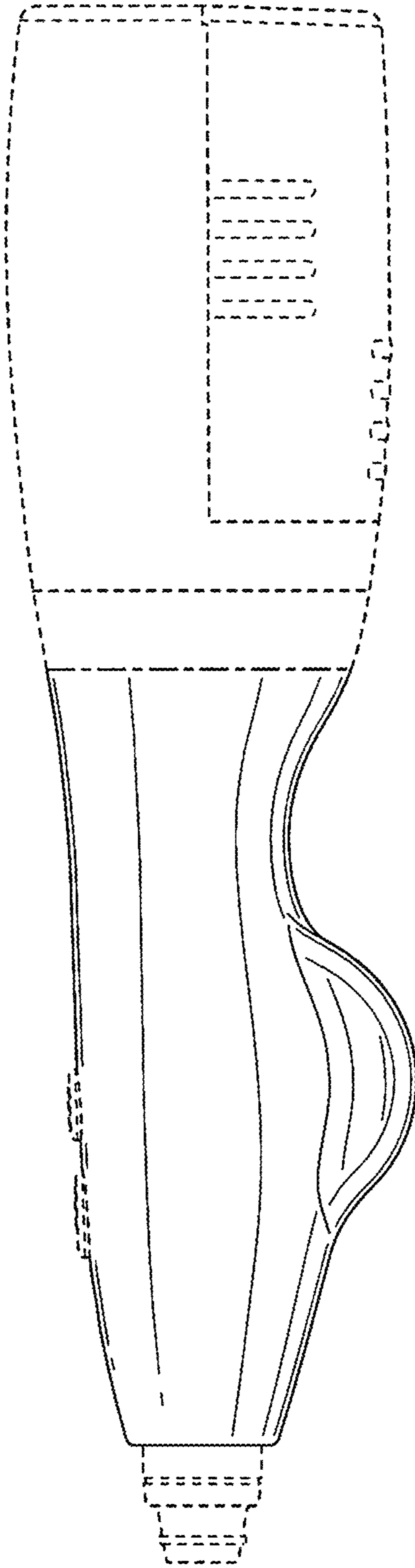


FIG. 5

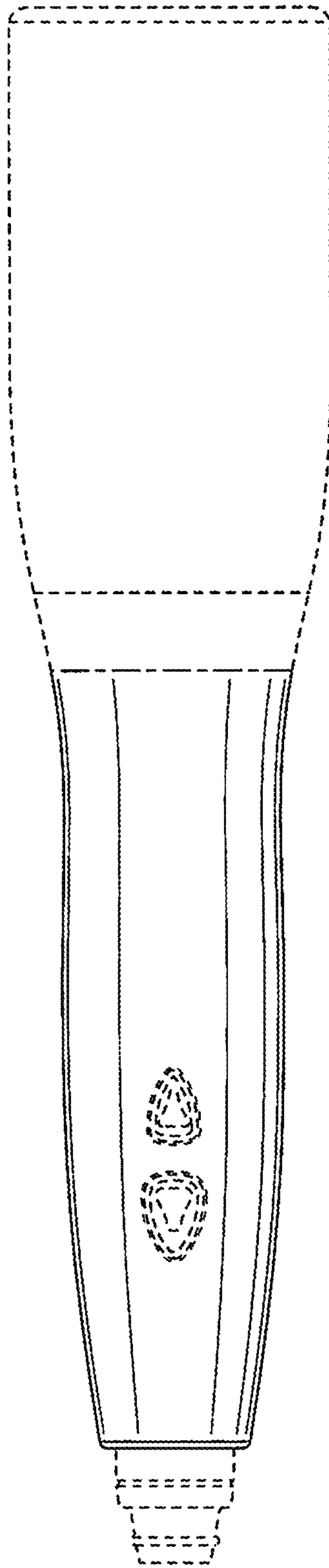


FIG. 6

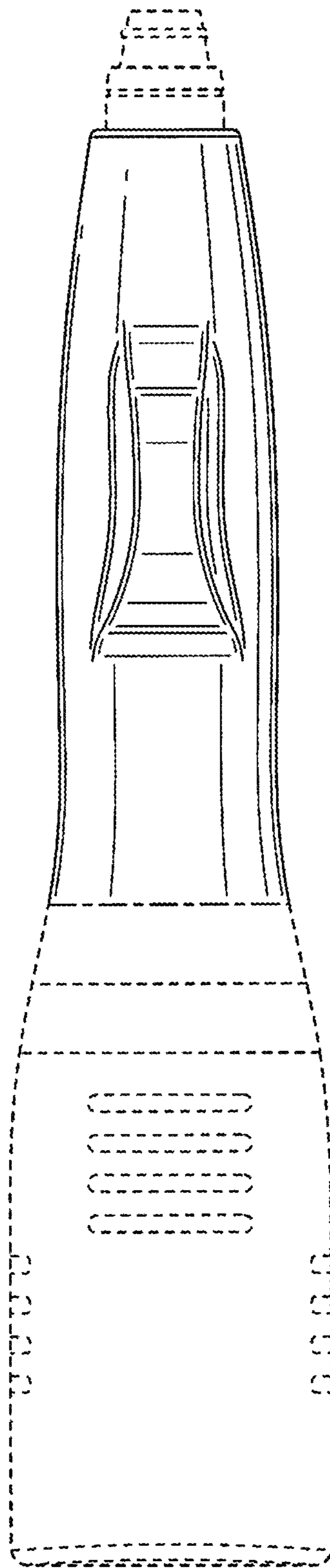


FIG. 7