



US00D874648S

(12) **United States Design Patent**  
**Houssiere et al.**

(10) **Patent No.:** **US D874,648 S**  
(45) **Date of Patent:** **\*\* Feb. 4, 2020**

(54) **ACCESS DEVICE**

- (71) Applicant: **Visualase, Inc.**, Houston, TX (US)
- (72) Inventors: **Charles Houssiere**, Houston, TX (US);  
**Ashok Gowda**, Houston, TX (US);  
**Ravish Patwardhan**, Shreveport, LA (US);  
**Manish Ahuja**, Pearland, TX (US)
- (73) Assignee: **Visualase, Inc.**, Minneapolis, MN (US)
- (\*\*) Term: **14 Years**

- (21) Appl. No.: **29/480,423**
- (22) Filed: **Jan. 26, 2014**
- (51) **LOC (12) Cl.** ..... **24-02**
- (52) **U.S. Cl.**  
USPC ..... **D24/140**
- (58) **Field of Classification Search**  
USPC ..... D24/140, 133, 155  
CPC . A61B 19/20; A61B 19/201; A61B 2019/202;  
A61B 19/203; A61B 2017/3407  
See application file for complete search history.

(56) **References Cited**

**U.S. PATENT DOCUMENTS**

4,805,615	A	2/1989	Carol	
4,955,891	A	9/1990	Carol	
5,263,956	A	11/1993	Nobles	
5,752,962	A	5/1998	D'Urso	
5,843,093	A	12/1998	Howard, III	
6,267,769	B1	7/2001	Truwit	
6,327,491	B1	12/2001	Franklin et al.	
6,491,699	B1	12/2002	Henderson et al.	
D556,153	S *	11/2007	Burnside	D13/167
7,313,430	B2	12/2007	Urquhart et al.	
D612,479	S *	3/2010	Zawacki	D24/108
D622,854	S *	8/2010	Otto	D24/155
7,794,469	B2	9/2010	Kao et al.	
7,824,417	B2	11/2010	Magnusson et al.	

(Continued)

**FOREIGN PATENT DOCUMENTS**

- EP 2779924 A1 9/2014
- JP S6238147 A 2/1987

(Continued)

**OTHER PUBLICATIONS**

International Preliminary Report on Patentability and Written Opinion dated Jan. 21, 2013 for PCT/US2012/051949 claiming benefit of U.S. Appl. No. 61/525,911, filed Aug. 22, 2011 which claims the benefit of U.S. Appl. No. 13/592,280, filed Aug. 22, 2012.

(Continued)

*Primary Examiner* — Susan Bennett Hattan  
*Assistant Examiner* — Lauren D McVey  
(74) *Attorney, Agent, or Firm* — Harness Dickey

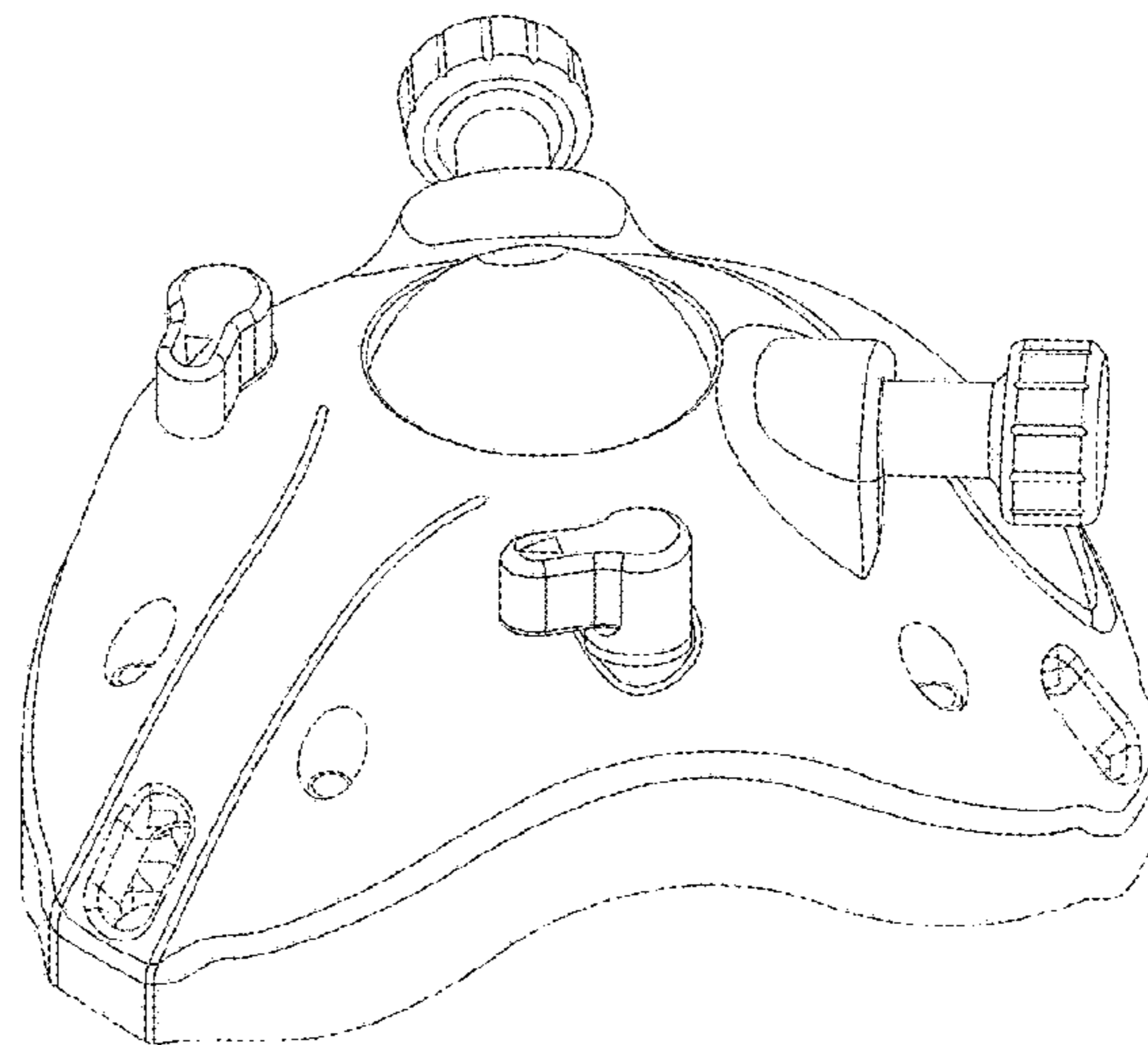
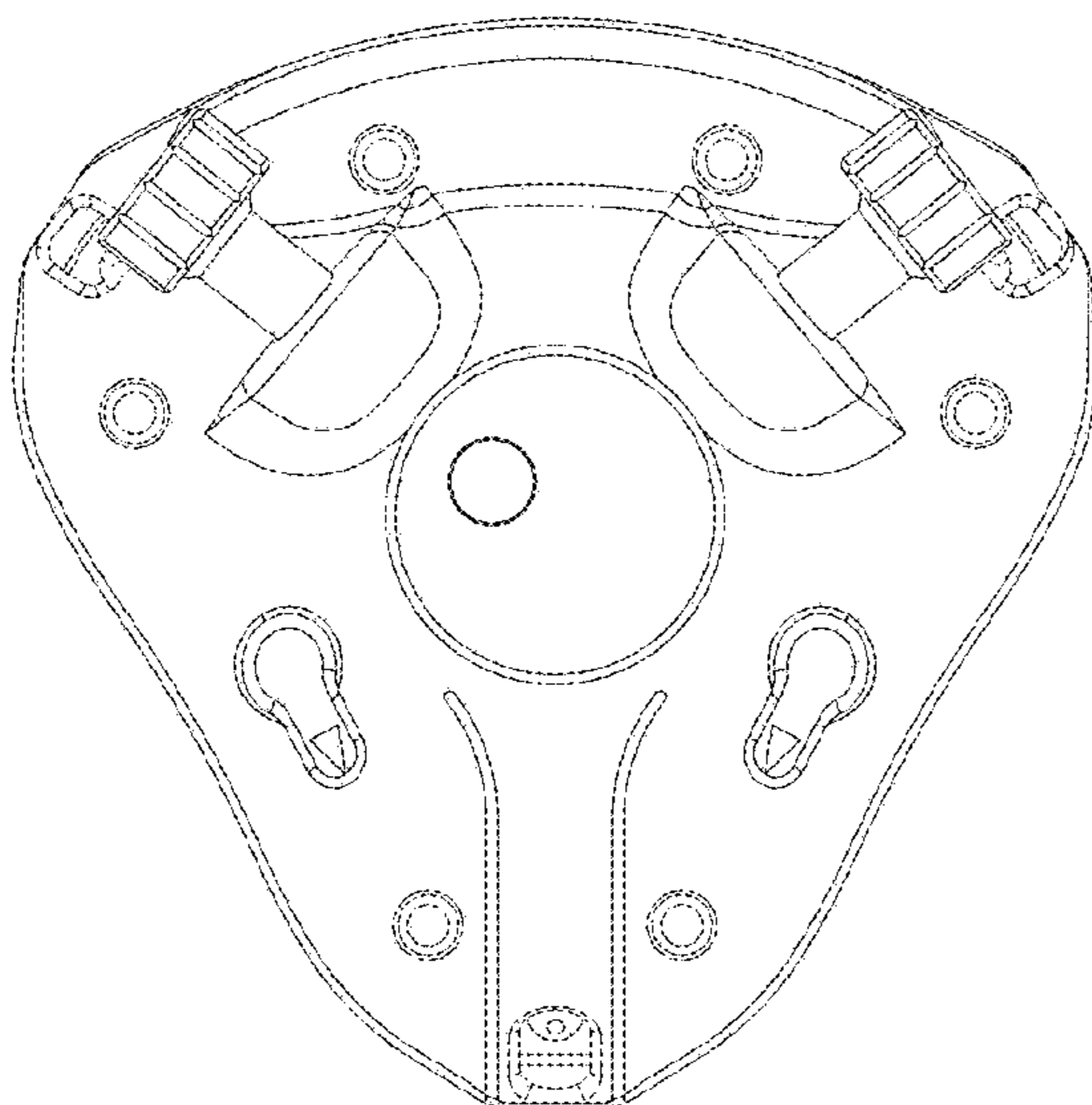
(57) **CLAIM**

The ornamental design for an access device, as shown and described.

**DESCRIPTION**

FIG. 1 is a right side view of an access device embodying our new design;  
FIG. 2 is a left side view thereof;  
FIG. 3 is a back view thereof;  
FIG. 4 is a top view thereof;  
FIG. 5 is a front view thereof;  
FIG. 6 is a bottom view thereof; and,  
FIG. 7 is a front side perspective view thereof.  
The dot-dot-dash broken lines and dot-dash broken lines that are immediately adjacent to the claim depict the bounds of the claimed design and form no part of the claim; all other broken lines depict portions of the article that form no part of the claimed design.

**1 Claim, 7 Drawing Sheets**



(56)

References Cited

U.S. PATENT DOCUMENTS

7,947,022 B2 \* 5/2011 Amin ..... A61M 39/0208  
604/288.02  
8,177,762 B2 \* 5/2012 Beasley ..... A61M 39/0208  
604/288.02  
8,932,271 B2 \* 1/2015 Hamatake ..... A61M 39/0208  
604/288.02  
2002/0038126 A1 3/2002 Dominguez et al.  
2002/0049451 A1 \* 4/2002 Parmer ..... A61B 19/201  
606/108  
2004/0167542 A1 \* 8/2004 Solar ..... A61B 19/201  
606/130  
2005/0075649 A1 4/2005 Bova et al.  
2005/0085719 A1 4/2005 Franklin et al.  
2007/0016006 A1 1/2007 Shachar  
2010/0179564 A1 7/2010 Mitchell et al.  
2010/0298830 A1 \* 11/2010 Browne ..... A61B 17/1615  
606/79  
2011/0160621 A1 6/2011 Nita  
2011/0190789 A1 8/2011 Thiran et al.  
2011/0295271 A1 12/2011 Kao et al.  
2013/0053867 A1 2/2013 Gowda et al.  
2015/0202011 A1 7/2015 Gowda et al.  
2015/0289992 A1 \* 10/2015 Anglin ..... A61B 19/201  
606/91  
2015/0320560 A1 \* 11/2015 Mulliken ..... A61B 19/20  
623/17.19

FOREIGN PATENT DOCUMENTS

JP 2008526422 A 7/2008  
JP D1342198 \* 10/2008  
JP D1356314 \* 4/2009  
WO WO-95/13758 A1 5/1995  
WO WO-01-95822 A2 12/2001  
WO WO-2004021898 A1 3/2004  
WO WO-04/107953 A2 12/2004  
WO WO-05/046451 A2 5/2005

WO WO-2006075331 A2 7/2006  
WO WO-09/060394 A1 5/2009  
WO WO-2009060394 A1 5/2009  
WO WO-2013028811 A1 2/2013  
WO WO-2015112856 A1 7/2015

OTHER PUBLICATIONS

International Search Report and Written Opinion dated Apr. 23, 2015 for PCT/US2015/012675 claiming benefit of U.S. Appl. No. 14/602,591, filed Jan. 22, 2015 which claims priority from U.S. Appl. No. 61/930,781.  
International Search Report and Written Opinion dated Jan. 21, 2013 for PCT/US2012/051949 claiming benefit of U.S. Appl. No. 61/525,911, filed Aug. 22, 2011 which claims the benefit of U.S. Appl. No. 13/592,280, filed Aug. 22, 2012.  
Supplemental Search Report for PCT/US2012/051949, European Application No. 12825002.4-1659 (publication No. 2779924) dated Jun. 19, 2015.  
U.S. Appl. No. 13/592,280, filed Aug. 22, 2012, Gowda et al.  
U.S. Appl. No. 14/602,591, filed Jan. 22, 2015, Gowda et al.  
International Preliminary Report on Patentability dated Aug. 4, 2016 for PCT/US2015/012675 which claims benefit of U.S. Appl. No. 61/930,781, filed Jan. 23, 2014.  
Japanese Office Action dated Jul. 28, 2017 in corresponding Japanese Application No. 2016-566859.  
Australian Office Action dated Nov. 14, 2018 in corresponding/related Australian Application No. 2015209191.  
Chinese Office Action dated Jul. 20, 2018 in corresponding/related Chinese Application No. 201580015920.3.  
Office Action dated Jun. 13, 2019 in corresponding/related Japanese Application No. 2018-127485.  
Office Action dated Apr. 16, 2019 in corresponding/related Chinese Application No. 2015800159203.  
Chinese Office Action dated Oct. 8, 2019 in corresponding/related Chinese Application No. 201580015920.3.

\* cited by examiner

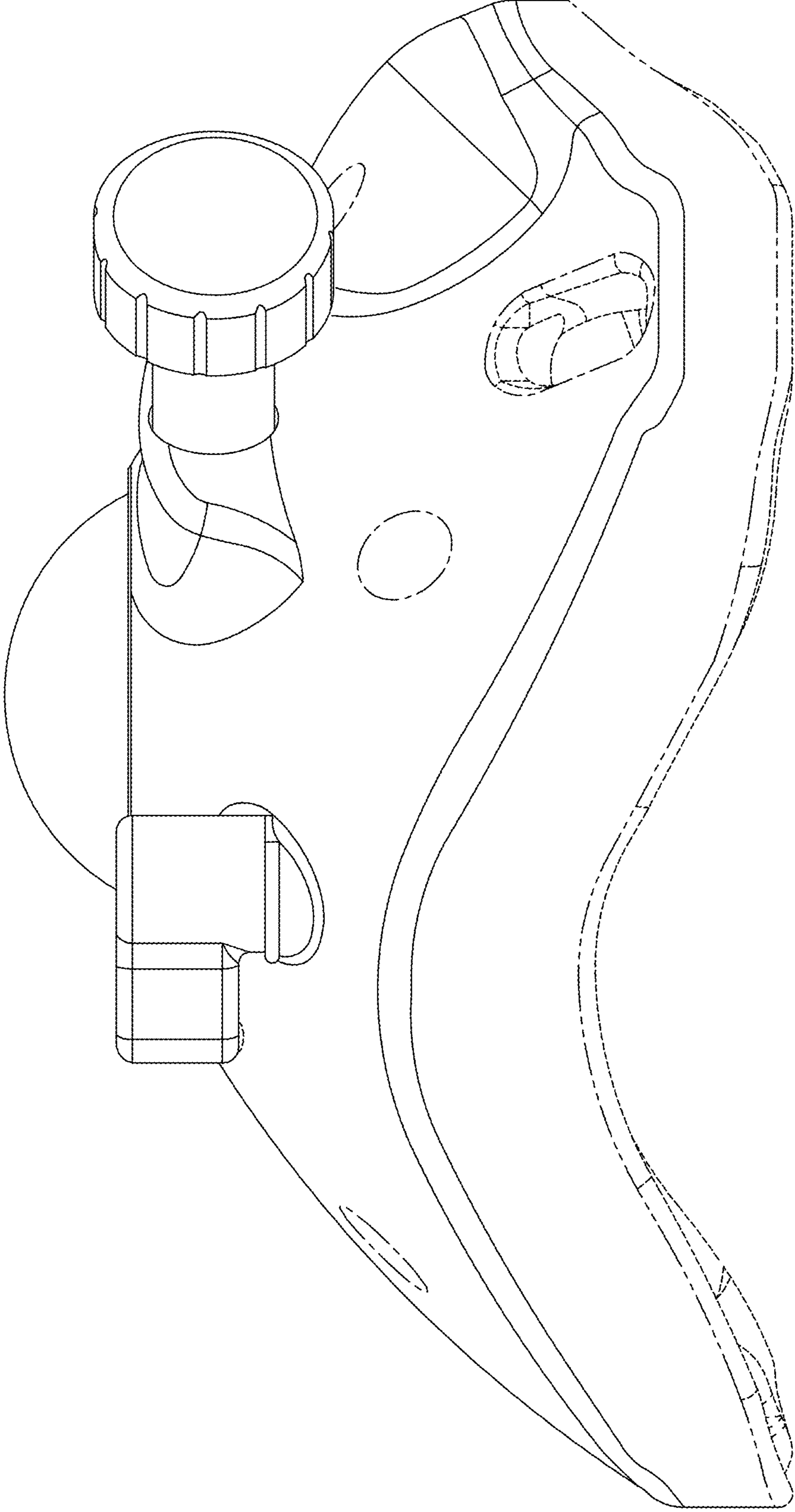


Fig-1



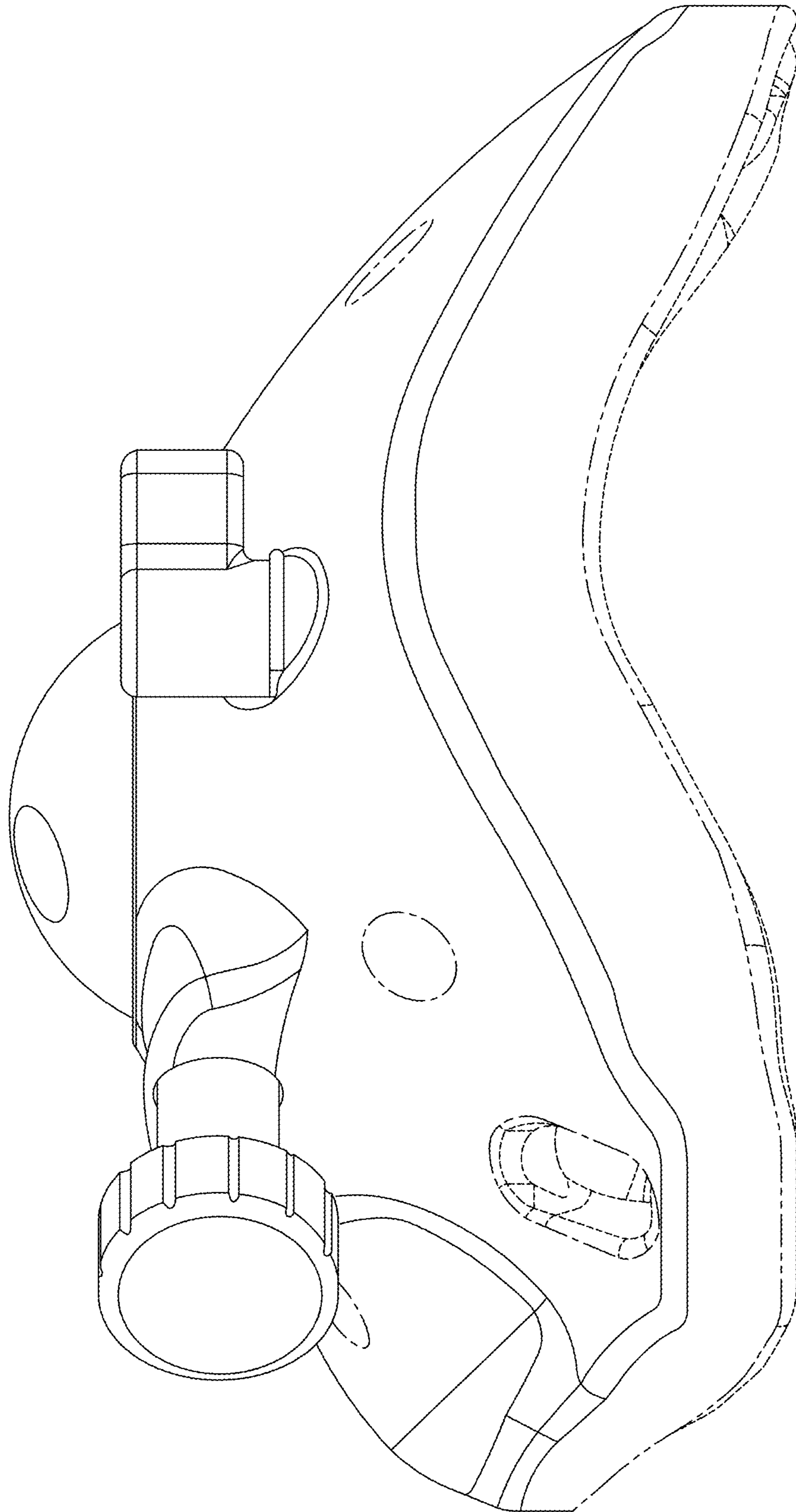


Fig-2

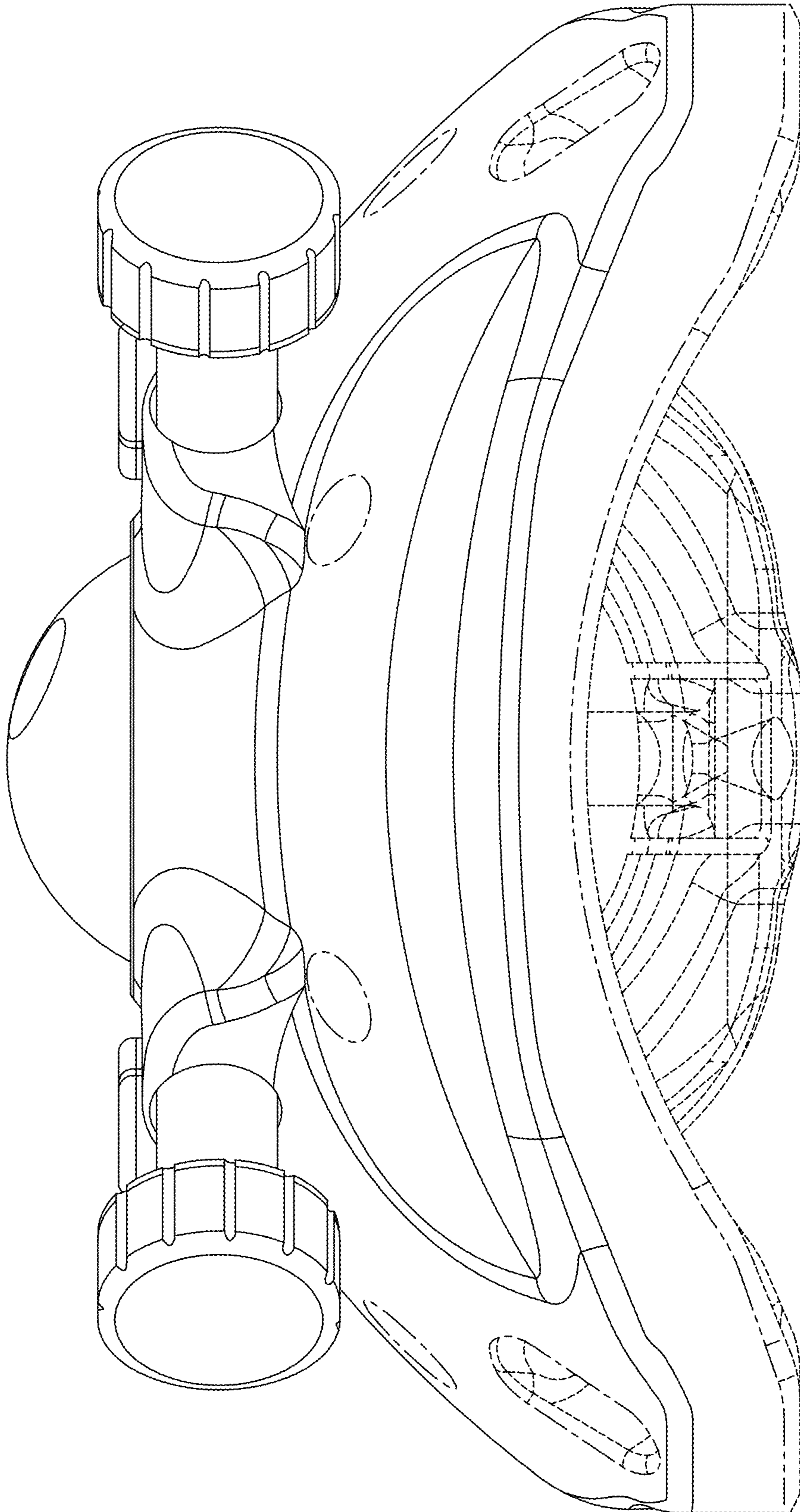


Fig-3

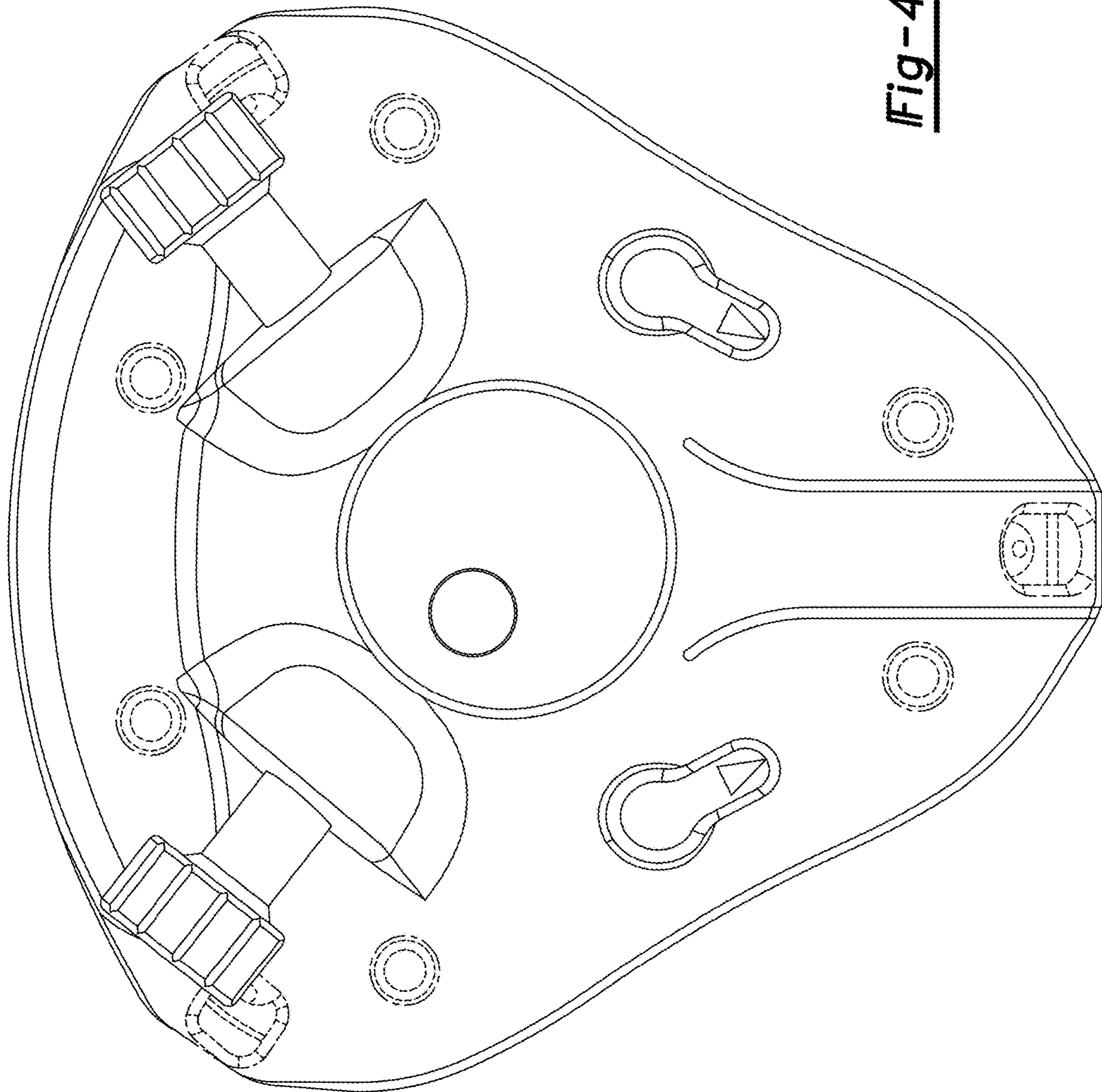


Fig-4

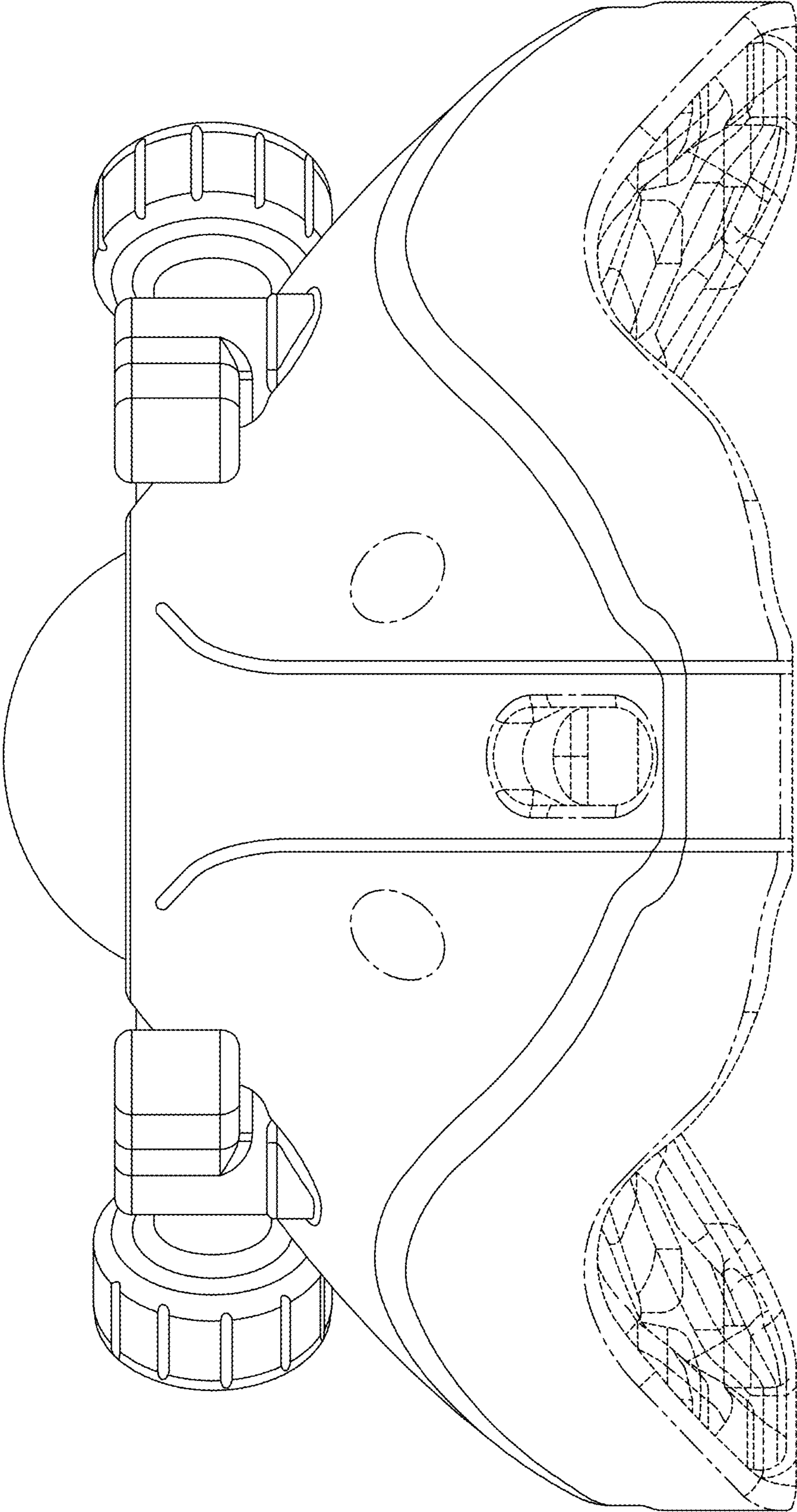


Fig-5



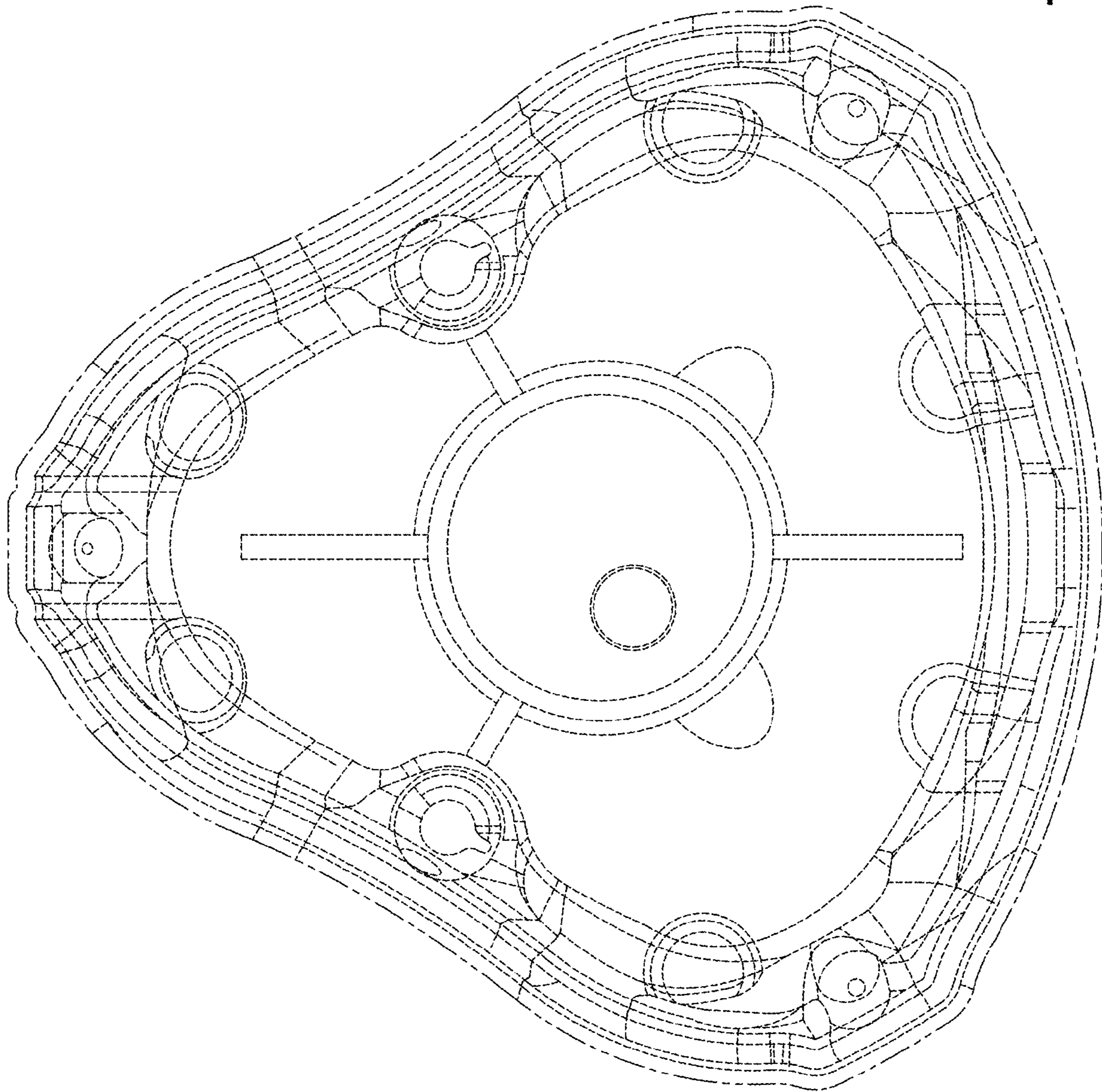


Fig-6



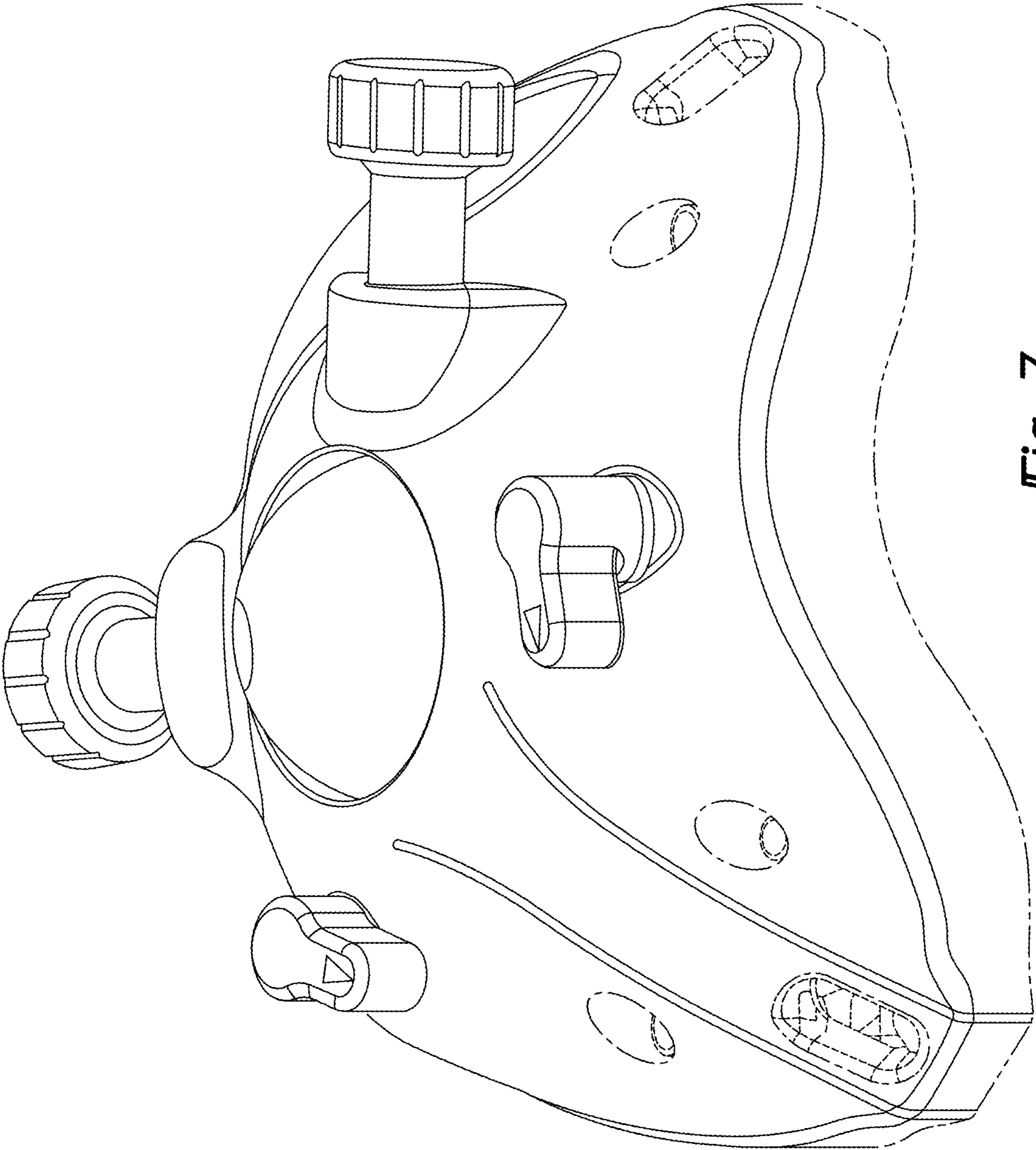


Fig-7