



US00D874645S

(12) **United States Design Patent**  
**McCool et al.**

(10) **Patent No.:** **US D874,645 S**  
(45) **Date of Patent:** **\*\* Feb. 4, 2020**

(54) **CIRCUIT KIT FOR A HUMIDIFIER AND CHAMBER ASSEMBLY**

(71) Applicant: **Fisher & Paykel Healthcare Limited**,  
Auckland (NZ)

(72) Inventors: **Kiel Anthony McCool**, Auckland (NZ);  
**Callum McDonald Ross**, Auckland (NZ)

(73) Assignee: **Fisher & Paykel Healthcare Limited**,  
Auckland (NZ)

(\*\*) Term: **15 Years**

(21) Appl. No.: **29/674,255**

(22) Filed: **Dec. 20, 2018**

**Related U.S. Application Data**

(62) Division of application No. 29/541,180, filed on Sep. 30, 2015, now Pat. No. Des. 841,147.

(51) **LOC (12) Cl.** ..... **29-02**

(52) **U.S. Cl.**  
USPC ..... **D24/110**

(58) **Field of Classification Search**

USPC ..... D24/110, 110.1-110.5, 127, 129  
CPC ..... A61M 16/0616; A61M 16/0633; A61M 16/06; A61M 16/0666; A61M 16/0683; A61M 16/0875; A61M 16/0816; A61M 16/08; A61M 16/0605; A61M 16/0622; A61M 16/0644

See application file for complete search history.

(56) **References Cited**

**U.S. PATENT DOCUMENTS**

2,516,864 A \* 8/1950 Gilmore ..... B29B 13/00  
156/143  
4,188,081 A \* 2/1980 Holden ..... A47L 9/246  
439/192

4,686,354 A \* 8/1987 Makin ..... A61M 16/1075  
392/472  
7,226,302 B2 \* 6/2007 Walter ..... A47L 9/246  
439/191  
D628,288 S \* 11/2010 Row ..... D24/129  
(Continued)

**FOREIGN PATENT DOCUMENTS**

WO WO 2012/164407 A1 12/2012  
WO WO 2014/077706 A1 5/2014  
(Continued)

**OTHER PUBLICATIONS**

International Standard, ISO 11664-4, dated Nov. 1, 2008; 18 pages.  
(Continued)

*Primary Examiner* — Lilyana Bekic

(74) *Attorney, Agent, or Firm* — Knobbe, Martens, Olson & Bear LLP

(57) **CLAIM**

The ornamental design for a circuit kit for a humidifier and chamber assembly, as shown and described.

**DESCRIPTION**

FIG. 1 is a top, rear and left side perspective view of a circuit kit for a humidifier and chamber assembly showing our new design;

FIG. 2 is a rear view thereof;

FIG. 3 is a front view thereof;

FIG. 4 is a left side view thereof;

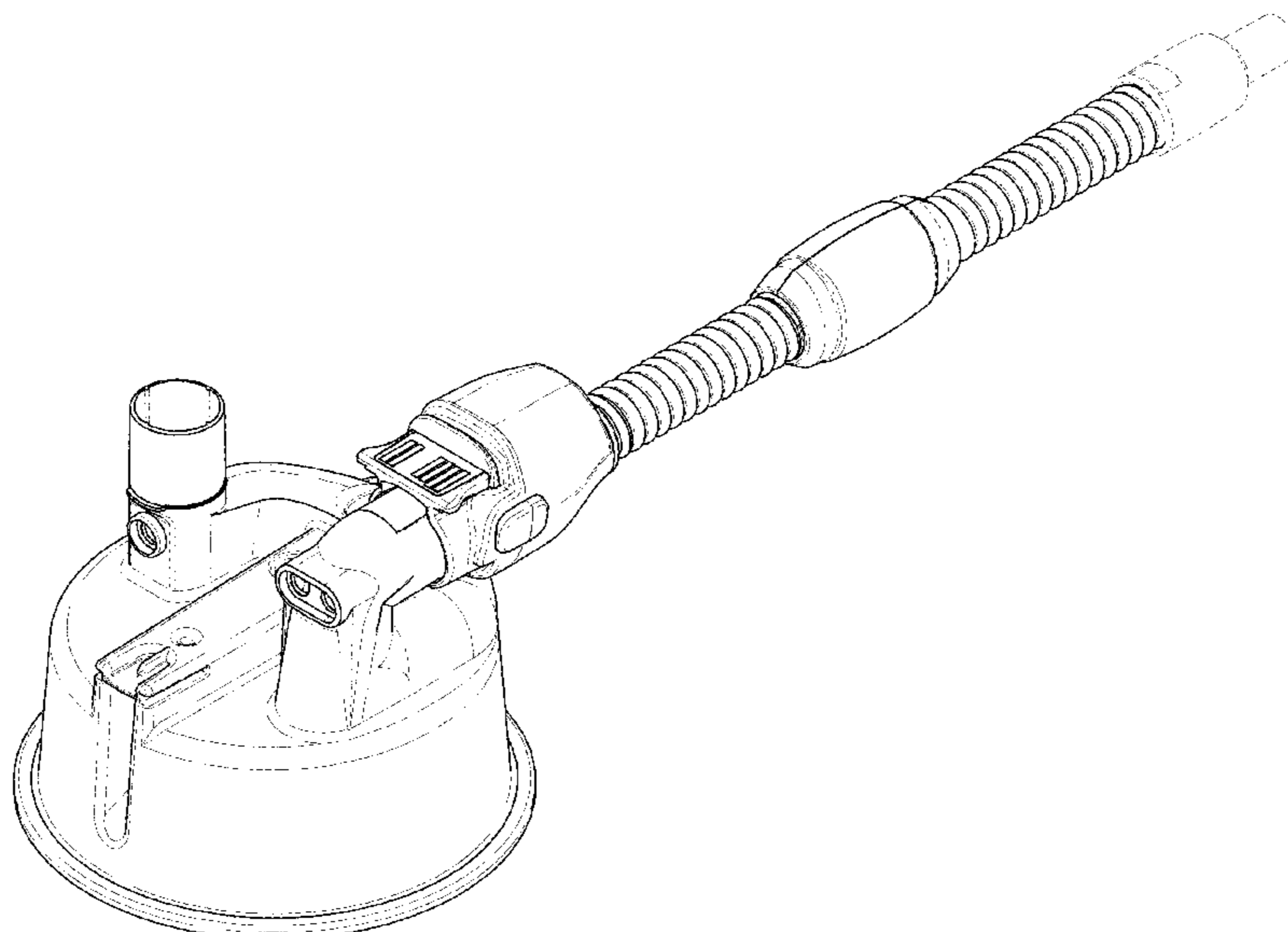
FIG. 5 is a right side view thereof;

FIG. 6 is a top view thereof; and,

FIG. 7 is a bottom view thereof.

Broken lines are used to illustrate features of the circuit kit for a humidifier and chamber assembly which form no part of the claimed design.

**1 Claim, 7 Drawing Sheets**



(56)

References Cited

U.S. PATENT DOCUMENTS

D629,891 S \* 12/2010 Virr ..... D24/129  
D629,892 S \* 12/2010 Hill ..... D24/129  
D638,536 S \* 5/2011 Row ..... D24/129  
D638,537 S \* 5/2011 Virr ..... D24/129  
D638,933 S \* 5/2011 Hill ..... D24/129  
D652,917 S \* 1/2012 Hill ..... D24/129  
D671,209 S \* 11/2012 Row ..... D24/129  
D742,508 S \* 11/2015 Row ..... D24/129  
D751,687 S \* 3/2016 Daly ..... D24/110  
D751,688 S \* 3/2016 Daly ..... D24/110  
D761,422 S \* 7/2016 Row ..... D24/129  
D762,843 S \* 8/2016 Formica ..... D24/110  
D807,995 S \* 1/2018 Maeckelberghe ..... D23/358  
D822,817 S \* 7/2018 Maeckelberghe ..... D23/358  
D822,818 S \* 7/2018 Maeckelberghe ..... D23/358  
D841,147 S \* 2/2019 McCool ..... D24/110  
D841,148 S \* 2/2019 Stoks ..... D24/110  
2012/0227738 A1 \* 9/2012 Virr ..... A61M 16/0051  
128/204.21

2013/0333701 A1\* 12/2013 Herron ..... A61M 16/0875  
128/203.27  
2015/0128944 A1\* 5/2015 Buechi ..... A61M 16/1065  
128/203.27  
2015/0306332 A1\* 10/2015 Bafle ..... A61M 16/0875  
128/202.27  
2017/0100556 A1\* 4/2017 Munkelt ..... A61M 16/0808  
2017/0304578 A1 10/2017 Stoks  
2019/0076620 A1 3/2019 Stoks

FOREIGN PATENT DOCUMENTS

WO WO 2014/088430 A1 6/2014  
WO WO 2015/142192 A1 9/2015

OTHER PUBLICATIONS

News Release; Airvo Nasal High Flow System; May 12, 2015; 2 pages.

\* cited by examiner

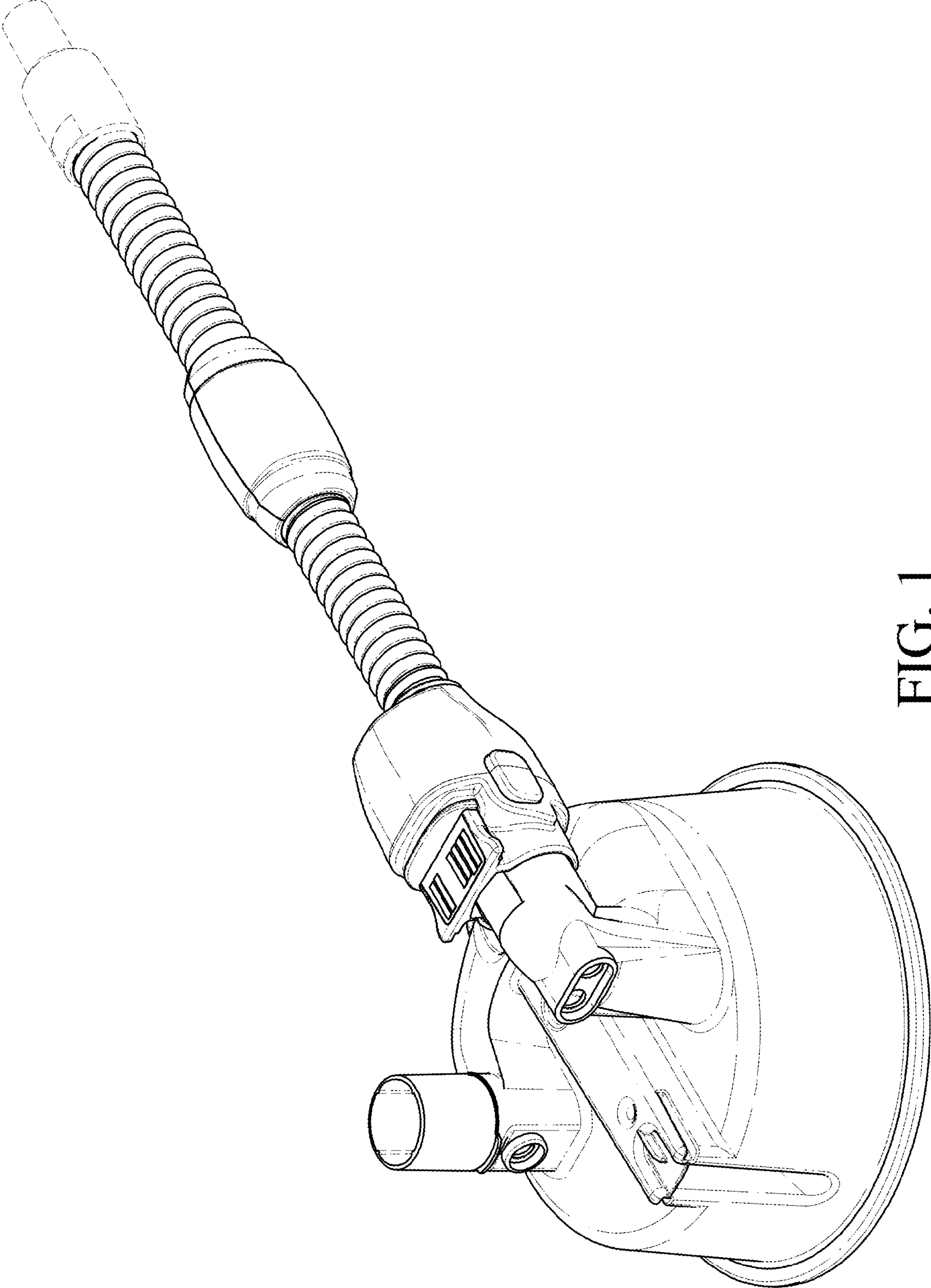


FIG. 1

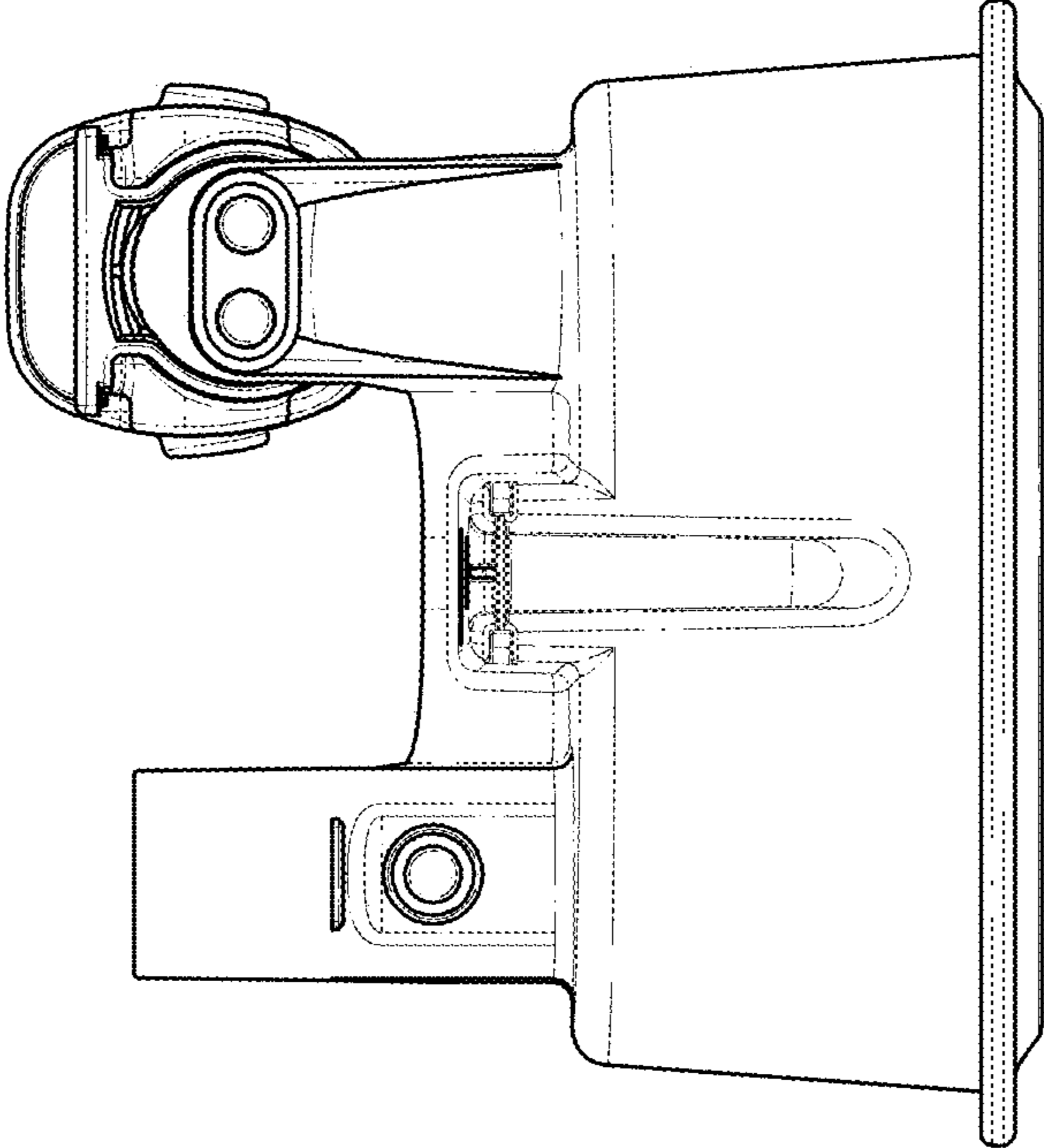


FIG. 2

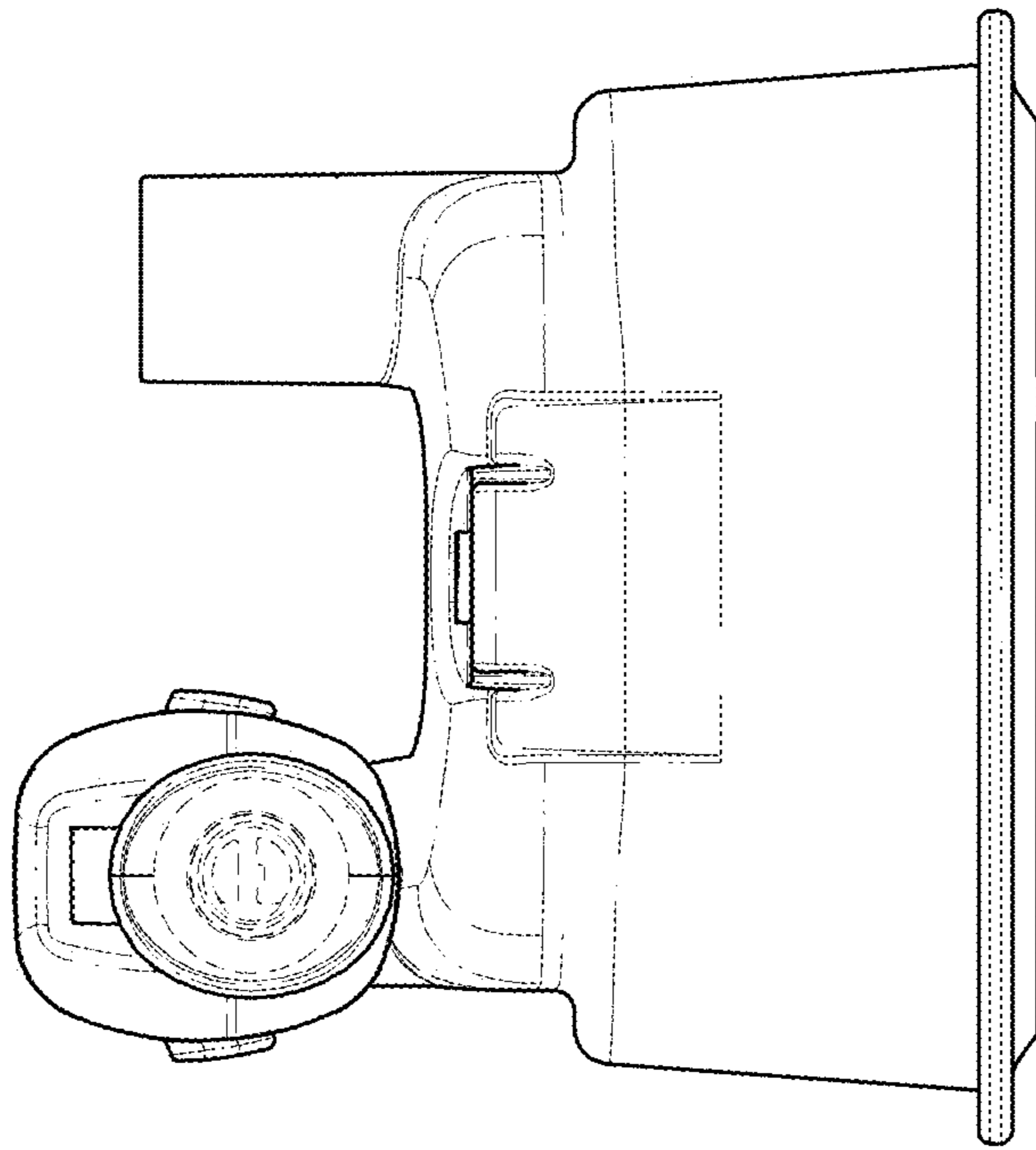


FIG. 3



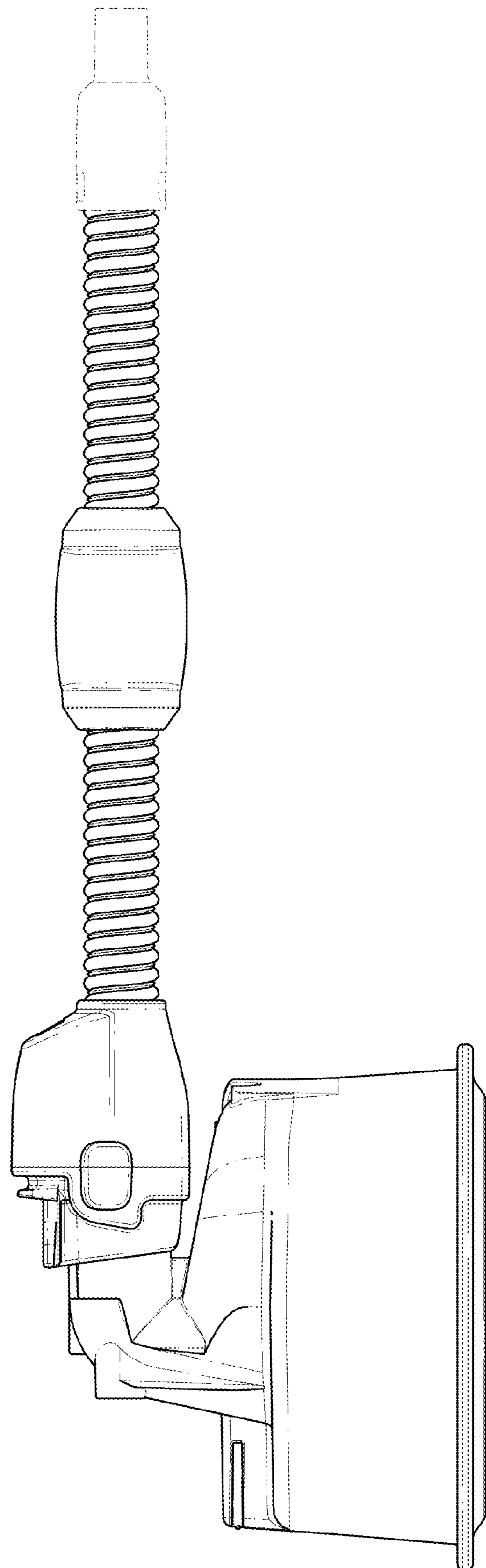


FIG. 4

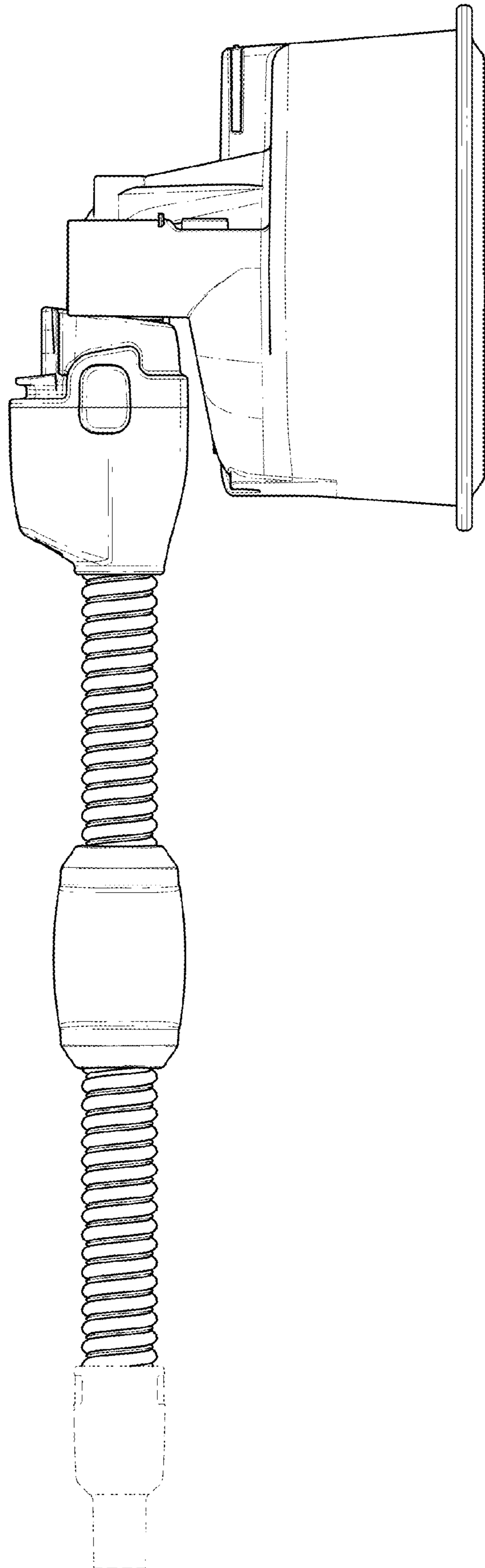


FIG. 5

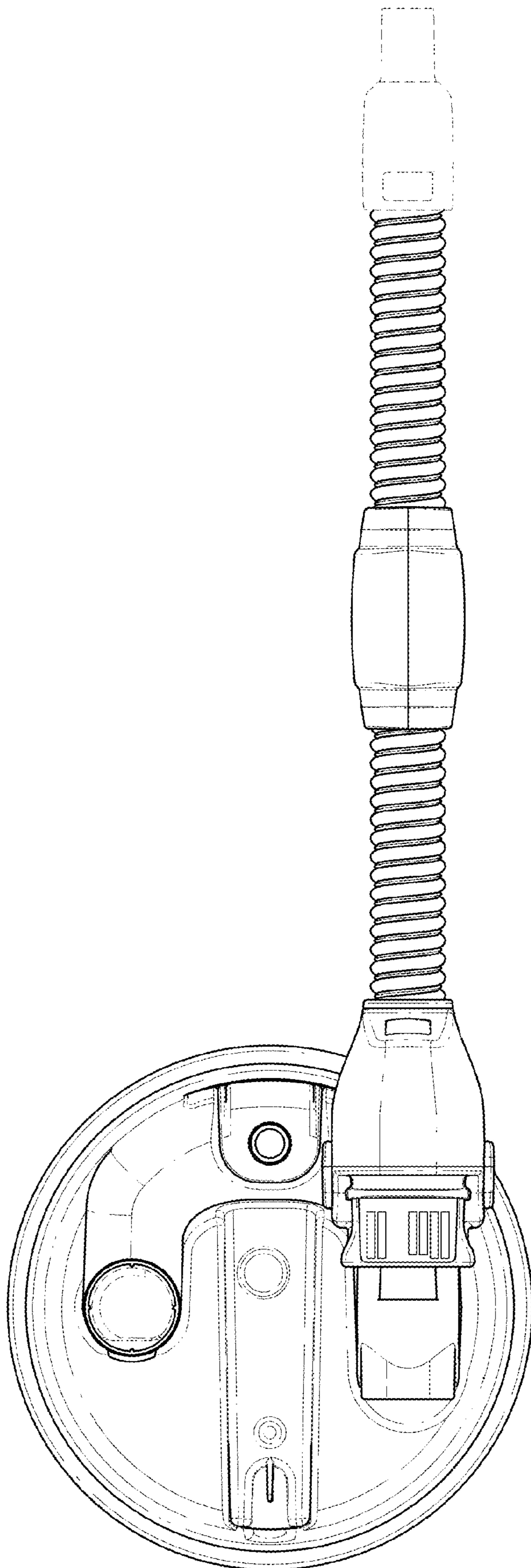


FIG. 6



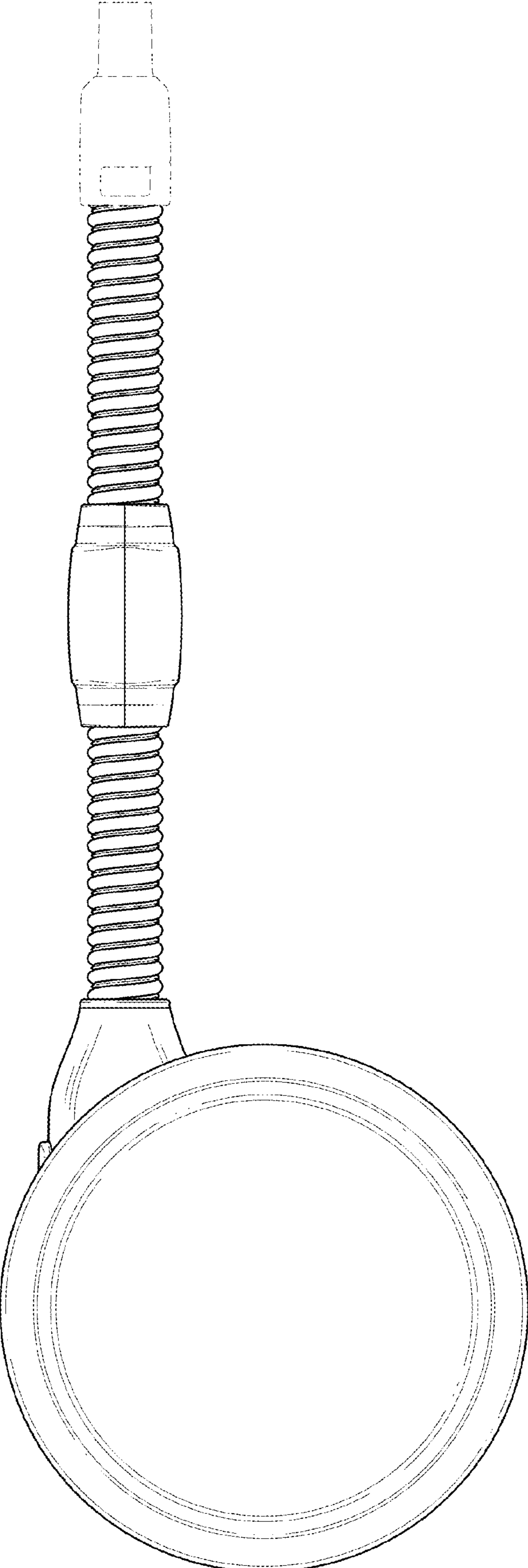


FIG. 7