



US00D874643S

(12) **United States Design Patent**  
**Genender et al.**

(10) **Patent No.:** **US D874,643 S**  
(45) **Date of Patent:** **\*\* Feb. 4, 2020**

- (54) **IRRIGATOR**
- (71) Applicant: **Medline Industries, Inc.**, Northfield, IL (US)
- (72) Inventors: **Alan Genender**, Northbrook, IL (US);  
**Derek Roberts**, Chicago, IL (US)
- (73) Assignee: **Medline Industries, Inc.**, Northfield, IL (US)
- (\*\*) Term: **15 Years**
- (21) Appl. No.: **29/663,292**
- (22) Filed: **Sep. 13, 2018**

5,269,750 A	12/1993	Grulke
D350,194 S	8/1994	Marino
5,460,604 A	10/1995	Arnett
5,464,390 A	11/1995	Arnett
5,470,305 A	11/1995	Arnett
D365,146 S	12/1995	Olson
5,484,402 A	1/1996	Saravia
D381,965 S	8/1997	Atkinson
5,718,668 A	2/1998	Arnett
5,746,721 A	5/1998	Pasch
5,792,098 A	8/1998	Felix
5,792,167 A	8/1998	Kablik
5,810,770 A	9/1998	Chin
5,928,257 A	7/1999	Kablik

(Continued)

**FOREIGN PATENT DOCUMENTS**

AU	737808 B2	8/2001
EA	806130 B1	6/2005

(Continued)

*Primary Examiner* — Lilyana Bekic

(74) *Attorney, Agent, or Firm* — Fitch, Even, Tabin & Flannery LLP

**Related U.S. Application Data**

- (62) Division of application No. 29/552,558, filed on Jan. 22, 2016, now Pat. No. Des. 831,819.
- (51) **LOC (12) Cl.** ..... **24-01**
- (52) **U.S. Cl.**  
USPC ..... **D24/108**
- (58) **Field of Classification Search**  
USPC .... D24/108, 110, 110.5, 111, 113, 133, 144;  
D23/223–226, 228–229  
CPC ..... A61B 2217/007; A61B 2217/005; A61M  
1/0058; A61M 3/0258; A61M 1/0064  
See application file for complete search history.

(57) **CLAIM**

The ornamental design for an irrigator, as shown and described.

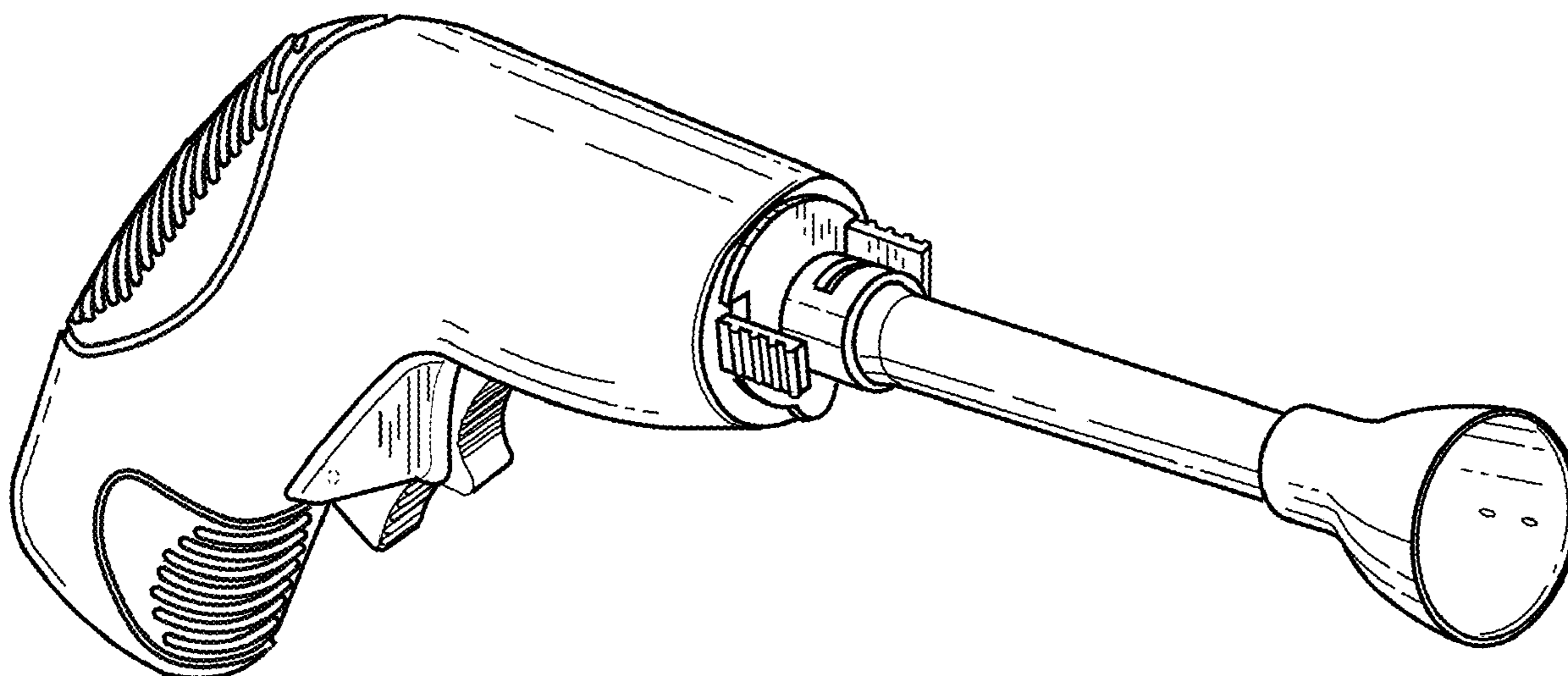
**DESCRIPTION**

FIG. 1 is a perspective view showing our new design of an irrigator;  
 FIG. 2 is an enlarged front elevational view thereof;  
 FIG. 3 is an enlarged rear elevational view thereof;  
 FIG. 4 is a left side elevational view thereof;  
 FIG. 5 is a right side elevational view thereof;  
 FIG. 6 is a top plan view thereof; and,  
 FIG. 7 is a bottom plan view thereof.  
 The broken lines in the drawings depict portions of the irrigator that form no part of the claimed design.

(56) **References Cited**  
**U.S. PATENT DOCUMENTS**

D97,617 S	11/1935	Rubens
3,433,227 A	3/1969	Kettenbach
3,993,054 A	11/1976	Newman
4,299,221 A	11/1981	Phillips
4,400,168 A	8/1983	Buechel
4,692,140 A	9/1987	Olson
5,046,486 A	9/1991	Grulke
5,230,704 A	7/1993	Moberg

**1 Claim, 3 Drawing Sheets**



(56)

References Cited

U.S. PATENT DOCUMENTS

5,951,285 A 9/1999 Ho  
 6,007,556 A 12/1999 Kablik  
 6,022,329 A 2/2000 Arnett  
 6,059,754 A 5/2000 Pasch  
 6,099,494 A 8/2000 Henniges  
 6,117,150 A 9/2000 Pingleton  
 6,149,622 A 11/2000 Marie  
 6,155,824 A 12/2000 Kamen  
 6,156,004 A 12/2000 Tremaine  
 D436,165 S 1/2001 Donaldson  
 6,179,807 B1 1/2001 Henniges  
 6,200,292 B1 3/2001 French  
 6,213,970 B1 4/2001 Nelson  
 6,342,061 B1 1/2002 Kauker  
 D453,376 S 2/2002 McMahon  
 6,352,527 B1 3/2002 Henniges  
 6,371,934 B1 4/2002 Jackson  
 6,471,668 B2 10/2002 Henniges  
 6,485,452 B1 11/2002 French  
 6,623,445 B1 9/2003 Nelson  
 6,652,488 B1 11/2003 Reid Cover  
 6,689,146 B1 2/2004 Himes  
 D490,517 S 5/2004 Harmon  
 D490,518 S 5/2004 Harmon  
 6,746,419 B1 6/2004 Arnett  
 D495,413 S 8/2004 Perry  
 7,070,574 B2 7/2006 Jackson

7,144,383 B2 12/2006 Arnett  
 7,153,287 B2 12/2006 Henniges  
 7,297,133 B2 11/2007 Nelson  
 7,481,791 B2 1/2009 Cover  
 7,717,931 B2 5/2010 Himes  
 D627,066 S \* 11/2010 Romero ..... D24/133  
 8,475,481 B2 7/2013 Himes  
 D703,337 S 4/2014 Fuhr  
 D717,431 S \* 11/2014 Cardinale ..... D24/133  
 D831,819 S 10/2018 Genender  
 D845,467 S \* 4/2019 Henne ..... D24/113  
 2008/0033348 A1 2/2008 Bidoia  
 2012/0035545 A1 2/2012 Schwarz  
 2013/0066261 A1 3/2013 Henniges  
 2015/0182685 A1 7/2015 Henniges  
 2015/0258257 A1 9/2015 Kidman  
 2015/0335813 A1 11/2015 Qian  
 2016/0067401 A1 3/2016 Henniges  
 2018/0236145 A1 \* 8/2018 Kidman ..... A61M 1/0064  
 2019/0151531 A1 \* 5/2019 Henniges ..... A61M 3/0258

FOREIGN PATENT DOCUMENTS

EP 378434 A2 7/1990  
 EP 309520 B1 4/1999  
 EP 907385 B1 8/2004  
 EP 1477194 A2 11/2004  
 WO 1997048426 A2 12/1997  
 WO 1997048427 A2 12/1997

\* cited by examiner

FIG. 1

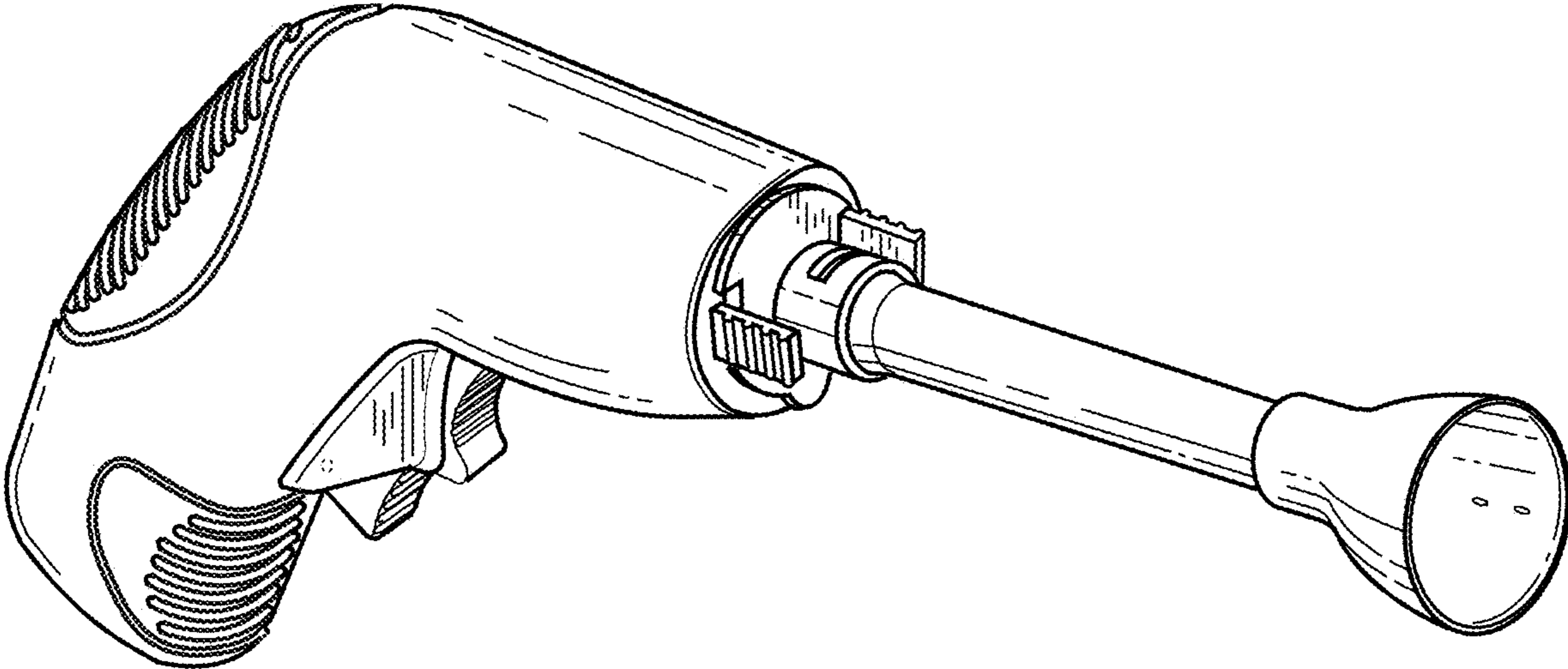




FIG. 2

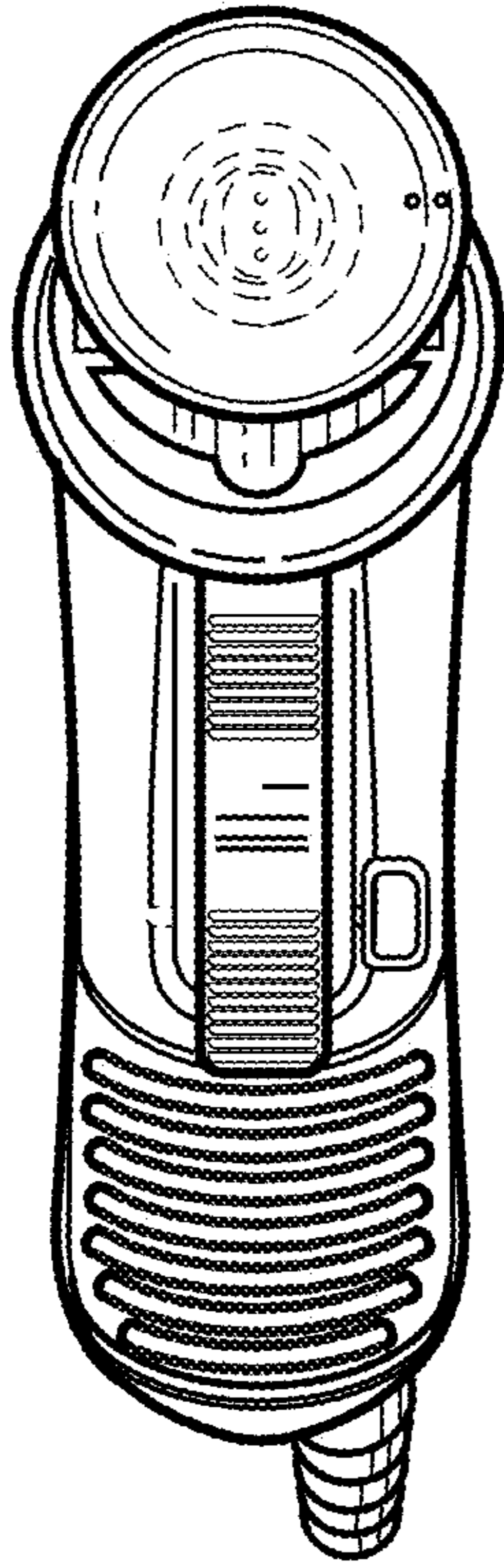


FIG. 3

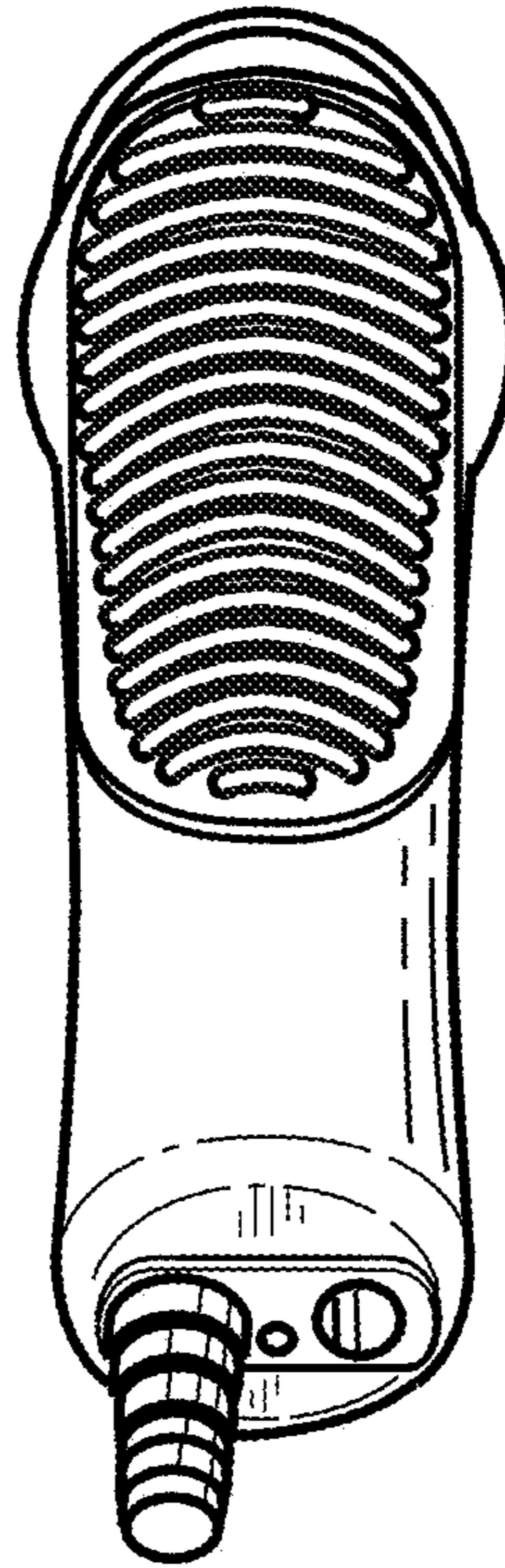


FIG. 4

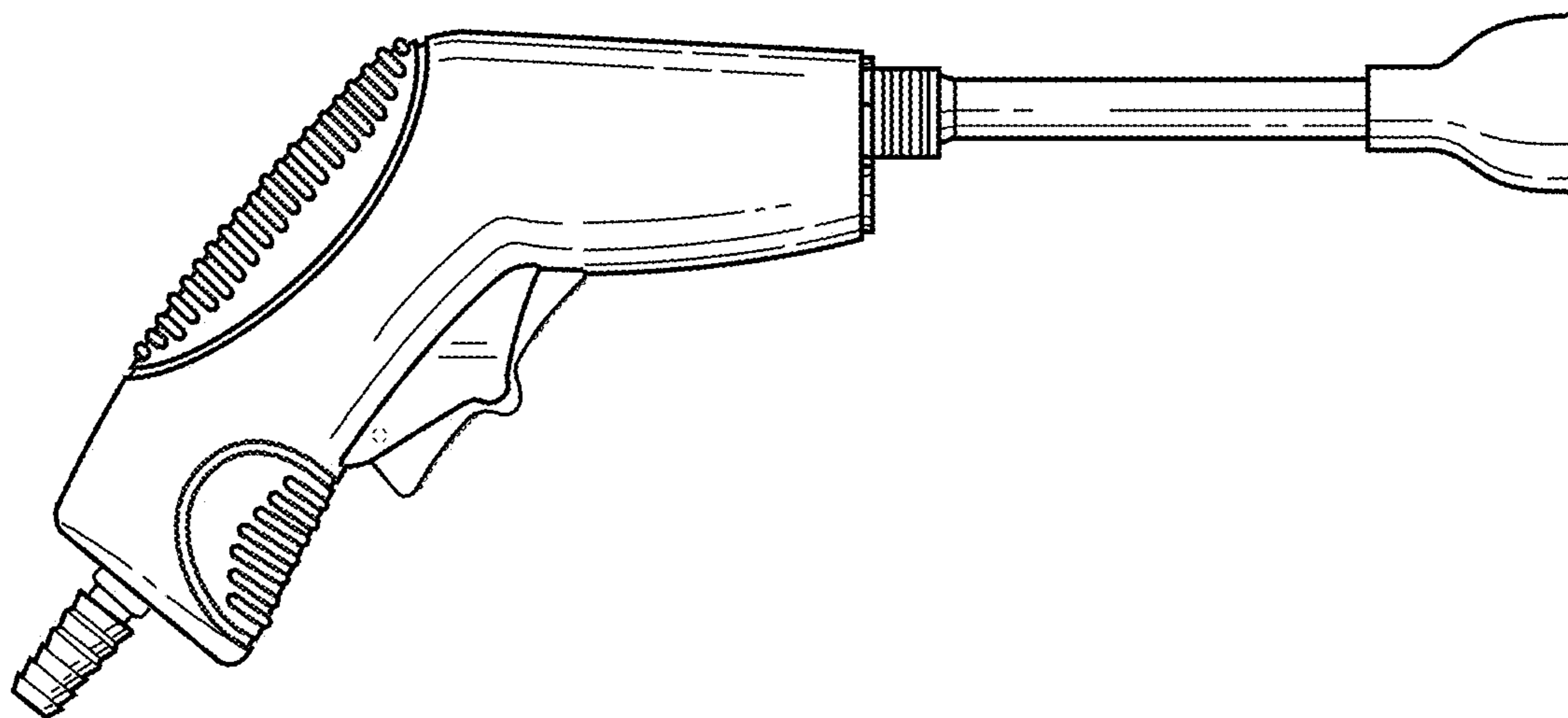


FIG. 5

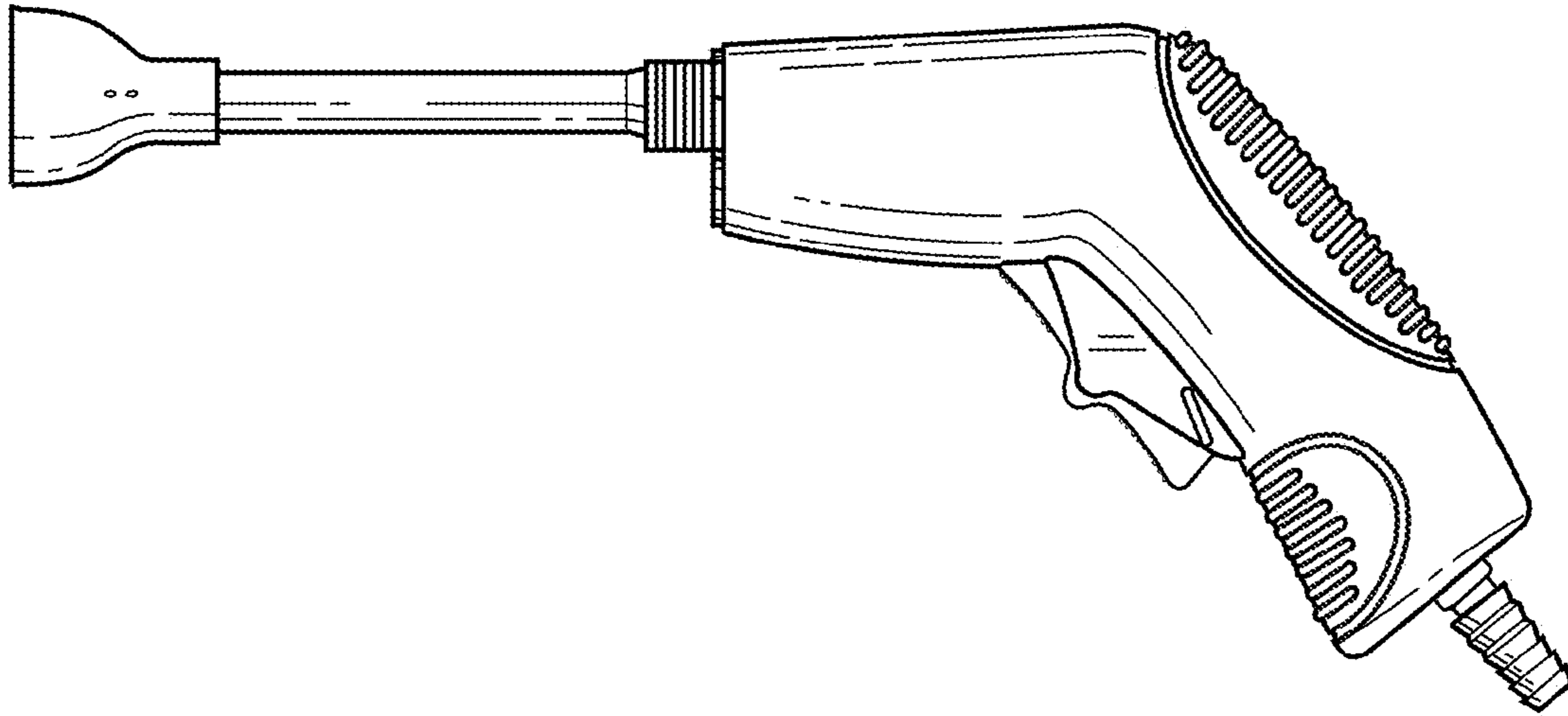


FIG. 6

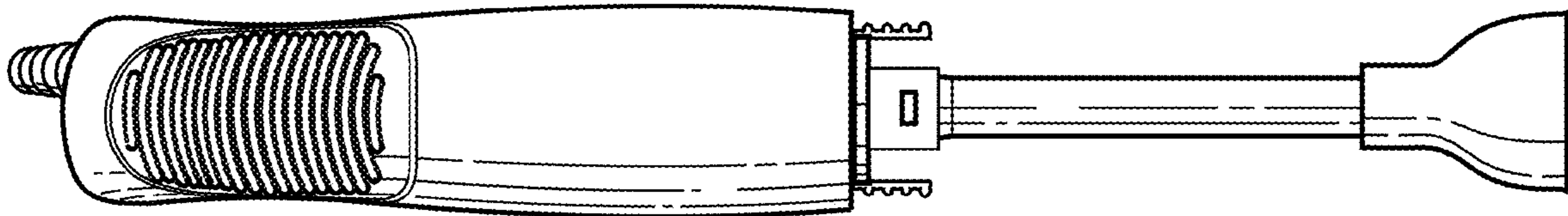


FIG. 7

