



US00D874639S

(12) **United States Design Patent** (10) **Patent No.:** **US D874,639 S**
Niemiec et al. (45) **Date of Patent:** **** Feb. 4, 2020**

(54) **FAN BLADE**
(71) Applicants: **Darrin Walter Niemiec**, Elgin, IL (US); **James C. Muth**, Oconomowoc, WI (US); **Patrick Todd Woodzick**, Waukesha, WI (US); **William J. Carlson**, Long Grove, IL (US)
(72) Inventors: **Darrin Walter Niemiec**, Elgin, IL (US); **James C. Muth**, Oconomowoc, WI (US); **Patrick Todd Woodzick**, Waukesha, WI (US); **William J. Carlson**, Long Grove, IL (US)
(73) Assignee: **WLC Enterprises, Inc.**, Schaumburg, IL (US)
(**) Term: **15 Years**
(21) Appl. No.: **29/691,146**
(22) Filed: **May 14, 2019**

Related U.S. Application Data

(63) Continuation of application No. 29/556,421, filed on Mar. 1, 2016, now Pat. No. Des. 852,944, which is a continuation of application No. 29/534,731, filed on Jul. 30, 2015, now abandoned.
(51) **LOC (12) Cl.** **23-04**
(52) **U.S. Cl.**
USPC **D23/413**
(58) **Field of Classification Search**
USPC D23/370, 377, 379, 385, 411, 413;
D26/59
CPC F04D 25/08; F04D 29/388; F04D 29/34;
F04D 25/088
See application file for complete search history.

References Cited

U.S. PATENT DOCUMENTS

6,244,821 B1 * 6/2001 Boyd F04D 25/088
416/210 R

D478,655 S * 8/2003 Gajewski D23/413
D489,447 S * 5/2004 Young D23/413
D503,472 S * 3/2005 Tai D23/413
D503,473 S * 3/2005 Tai D23/413
D503,474 S * 3/2005 Tai D23/413
D503,475 S * 3/2005 Tai D23/413
D503,795 S * 4/2005 Tai D23/413
D505,724 S * 5/2005 Tai D23/413
D745,658 S * 12/2015 Wang D23/413
D750,221 S * 2/2016 Schulzman D23/413
9,638,209 B1 * 5/2017 Cogley F04D 29/388
D796,659 S * 9/2017 Schulzman D23/377
D852,943 S * 7/2019 Niemiec D23/413
D852,944 S * 7/2019 Niemiec D23/413
D853,553 S * 7/2019 Niemiec D23/413
2013/0129519 A1 * 5/2013 Nielsen F03D 1/0633
416/228
2013/0336790 A1 * 12/2013 Wortman F01D 5/141
416/170 R
2015/0147188 A1 * 5/2015 Danielsson F04D 25/0613
417/14
2017/0030361 A1 * 2/2017 Niemiec F04D 25/088
2017/0030369 A1 * 2/2017 Niemiec F04D 29/384
2017/0114789 A1 * 4/2017 Niemiec F04D 25/088

* cited by examiner

Primary Examiner — Janice Hallmark

(74) *Attorney, Agent, or Firm* — Vitale, Vickrey, Niro & Gasey LLP

(57) **CLAIM**

The ornamental design for a fan blade, as shown and described.

DESCRIPTION

FIG. 1 is a perspective view of a fan blade showing our new design;
FIG. 2 is a top view thereof;
FIG. 3 is a side view thereof;
FIG. 4 is a side view thereof; and,
FIG. 5 is a perspective view thereof.

1 Claim, 3 Drawing Sheets

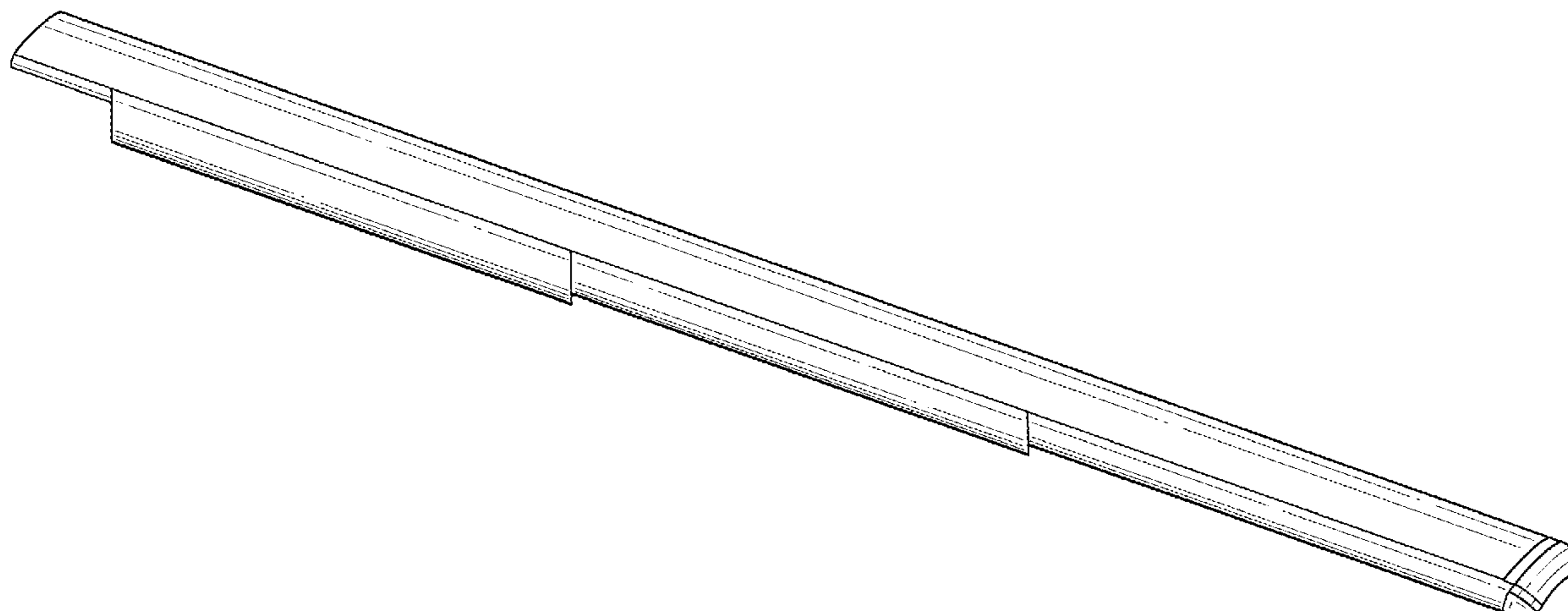


Fig. 1

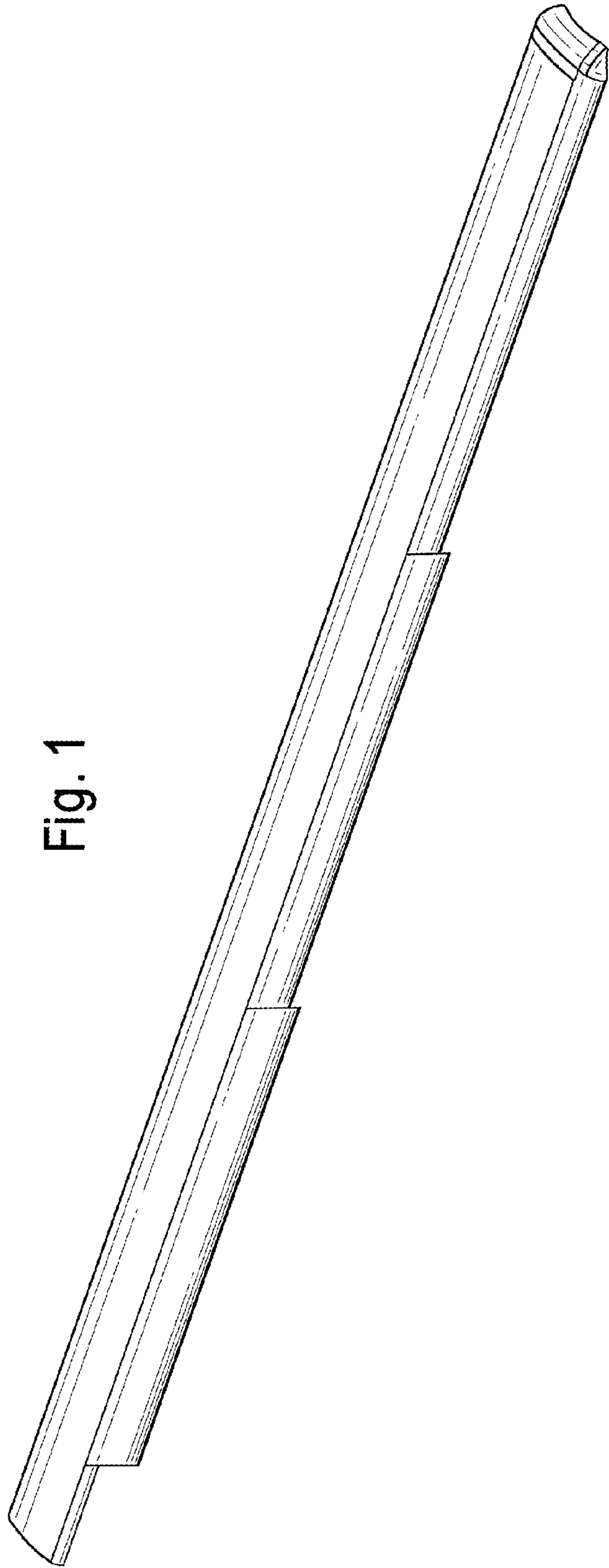


Fig. 2

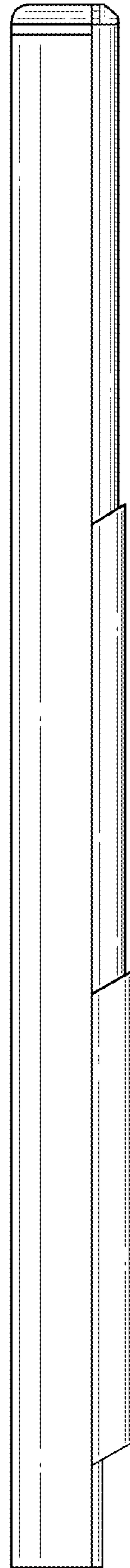


Fig. 3

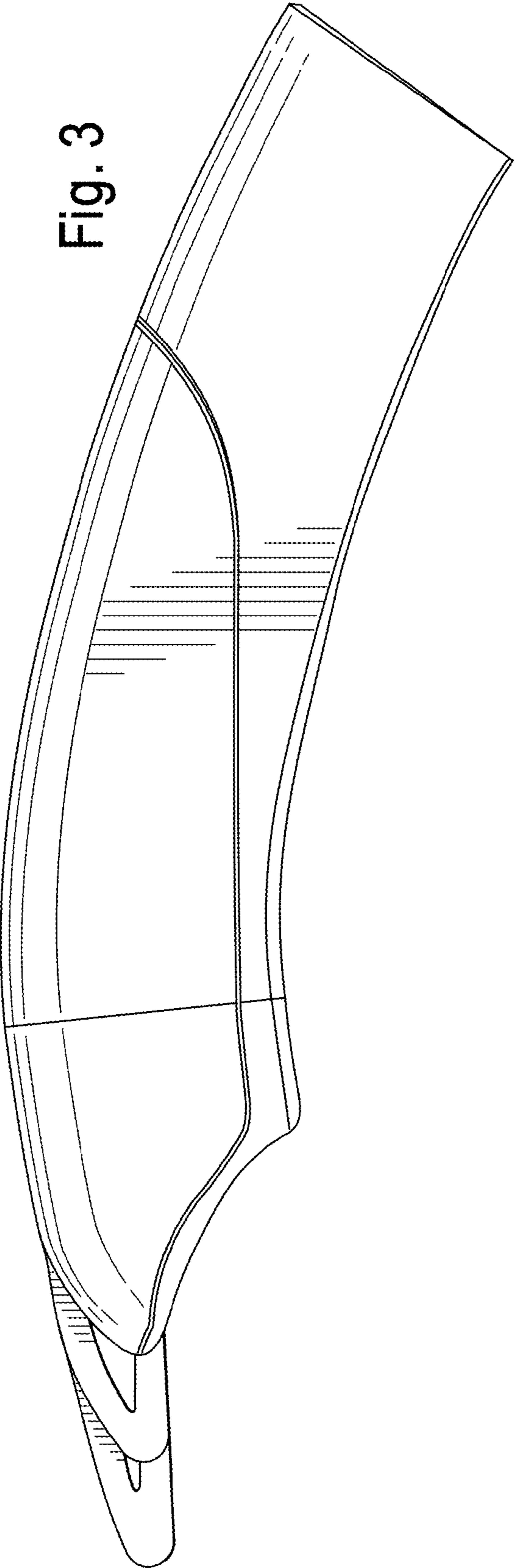
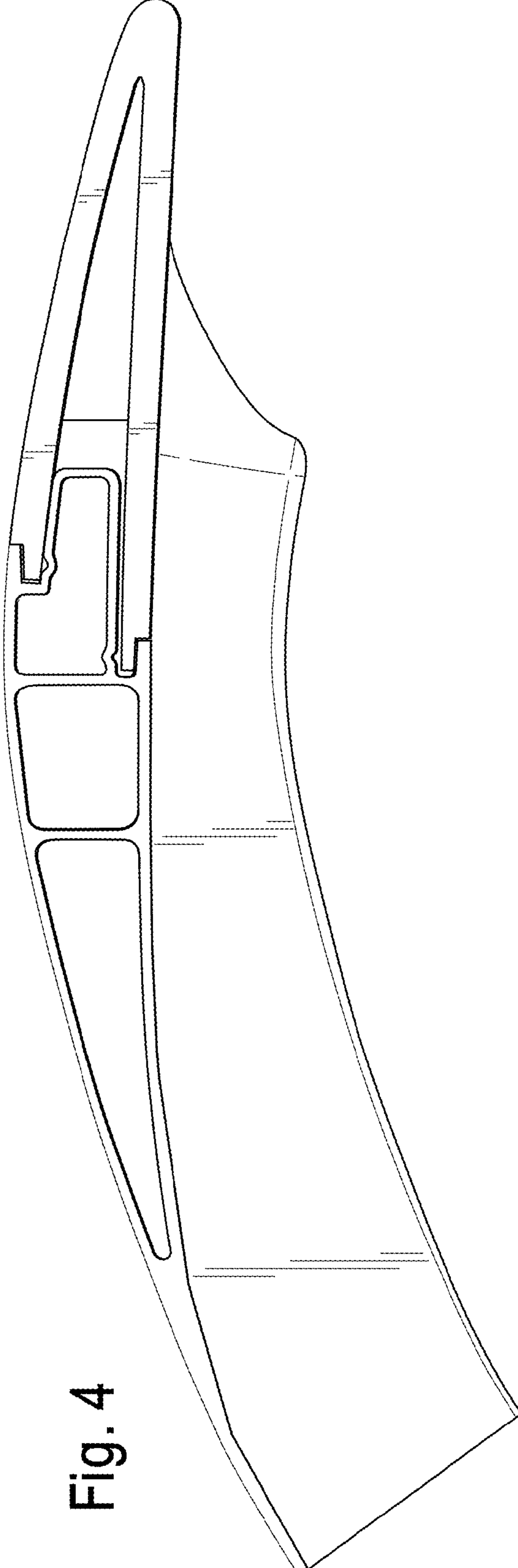


Fig. 4



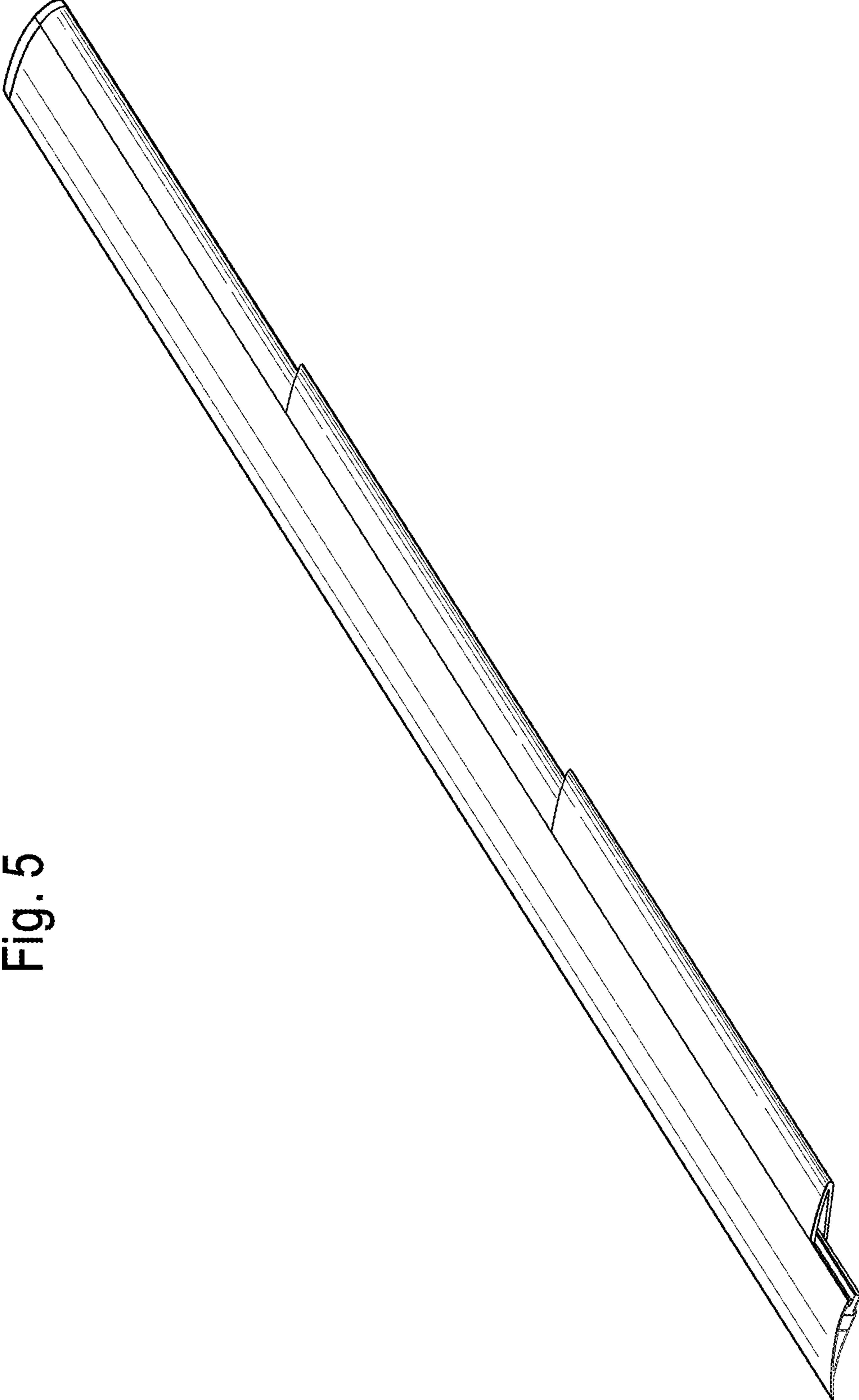


Fig. 5