



US00D874634S

(12) **United States Design Patent**
Haggar

(10) **Patent No.:** **US D874,634 S**

(45) **Date of Patent:** **** Feb. 4, 2020**

(54) **CEILING FAN**

(71) Applicant: **HUNTER FAN COMPANY,**
Memphis, TN (US)

(72) Inventor: **Alexander Jonathan Haggar,**
Memphis, TN (US)

(73) Assignee: **Hunter Fan Company,** Memphis, TN
(US)

(**) Term: **15 Years**

(21) Appl. No.: **29/624,826**

(22) Filed: **Nov. 3, 2017**

(51) **LOC (12) Cl.** **23-04**

(52) **U.S. Cl.**
USPC **D23/377**

(58) **Field of Classification Search**
USPC D23/370–385, 411–414; D26/59, 85, 86,
D26/89, 90
CPC F04D 25/088; F04D 29/38; F04D 29/384;
F04D 29/386; F21V 33/0096
See application file for complete search history.

(56) **References Cited**

U.S. PATENT DOCUMENTS

D314,618 S *	2/1991	Yen	D23/377
D328,785 S	8/1992	Markwardt		
D421,113 S *	2/2000	Zuege	D23/377
D431,307 S *	9/2000	Zelina, Jr.	D26/24
D443,713 S *	6/2001	Benensohn	D26/72
D453,216 S *	1/2002	Gajewski	D23/377
D478,974 S	8/2003	Hidalgo		
D506,565 S *	6/2005	Yurich	D26/85
D534,273 S *	12/2006	Pan	D23/411
D549,384 S *	8/2007	Grawunder	D26/85
D556,938 S *	12/2007	Russello	D26/89
D561,374 S *	2/2008	Hartmann, Jr.	D26/74
D575,862 S *	8/2008	McCalla	D23/377
D609,799 S *	2/2010	Lee	D23/377
D627,874 S *	11/2010	Pan	D23/411

D628,688 S	12/2010	Pan		
D633,231 S *	2/2011	Morrison	D26/24
D633,644 S *	3/2011	Sprengers	D26/89
D664,279 S *	7/2012	Meise	D26/72
D707,336 S	6/2014	Pan		
D708,315 S *	7/2014	Wang	D23/377

(Continued)

OTHER PUBLICATIONS

Savoy House 52/6110-4CN-SN Dayton 52" 4 Blade Ceiling Fan in Satin Nickel, date first available Jul. 8, 2016, site visited Sep. 11, 2019, Available from Internet, <https://www.amazon.com/Savoy-House-52/6110-4CN-SN-Dayton-Ceiling/dp/B01HP0UBEC/ref=sr_1_1?keywords=savoy+house+dayton&qid=1568201170&s=hi&sr=1-1>.*

(Continued)

Primary Examiner — Cathron C Brooks

Assistant Examiner — Sharon S Oum

(74) *Attorney, Agent, or Firm* — McGarry Bair PC

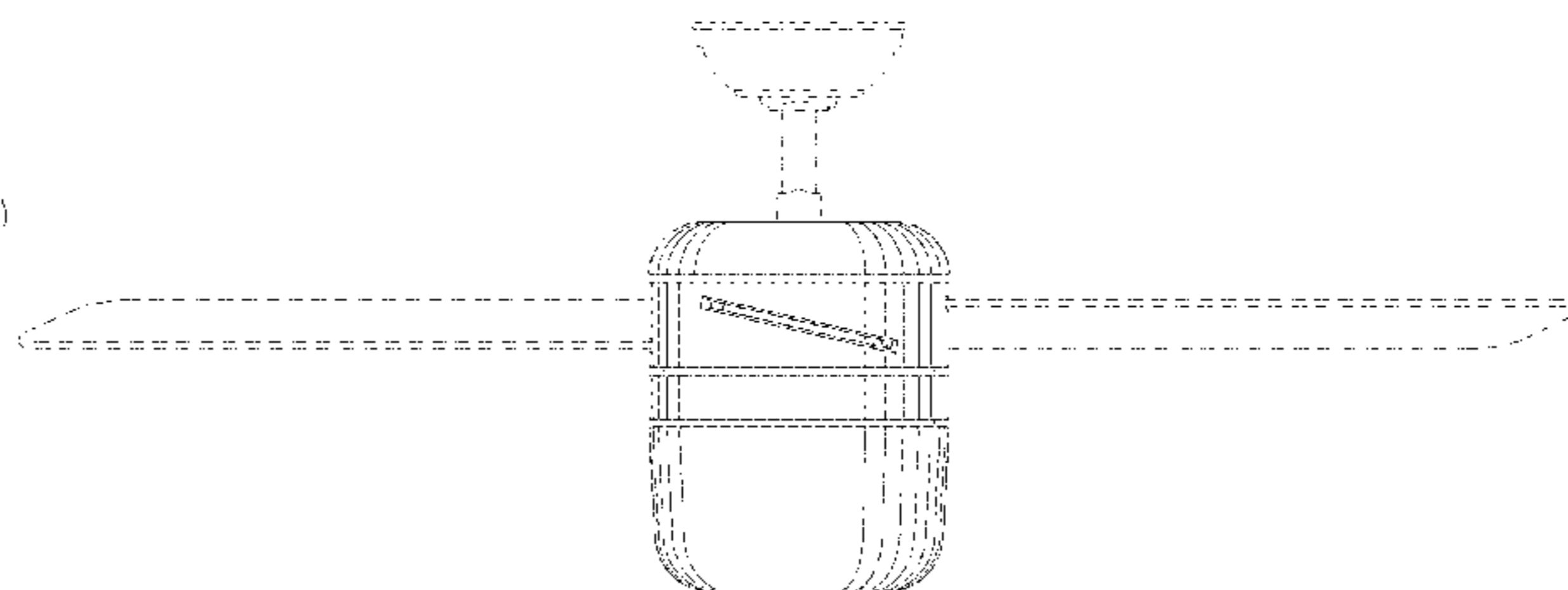
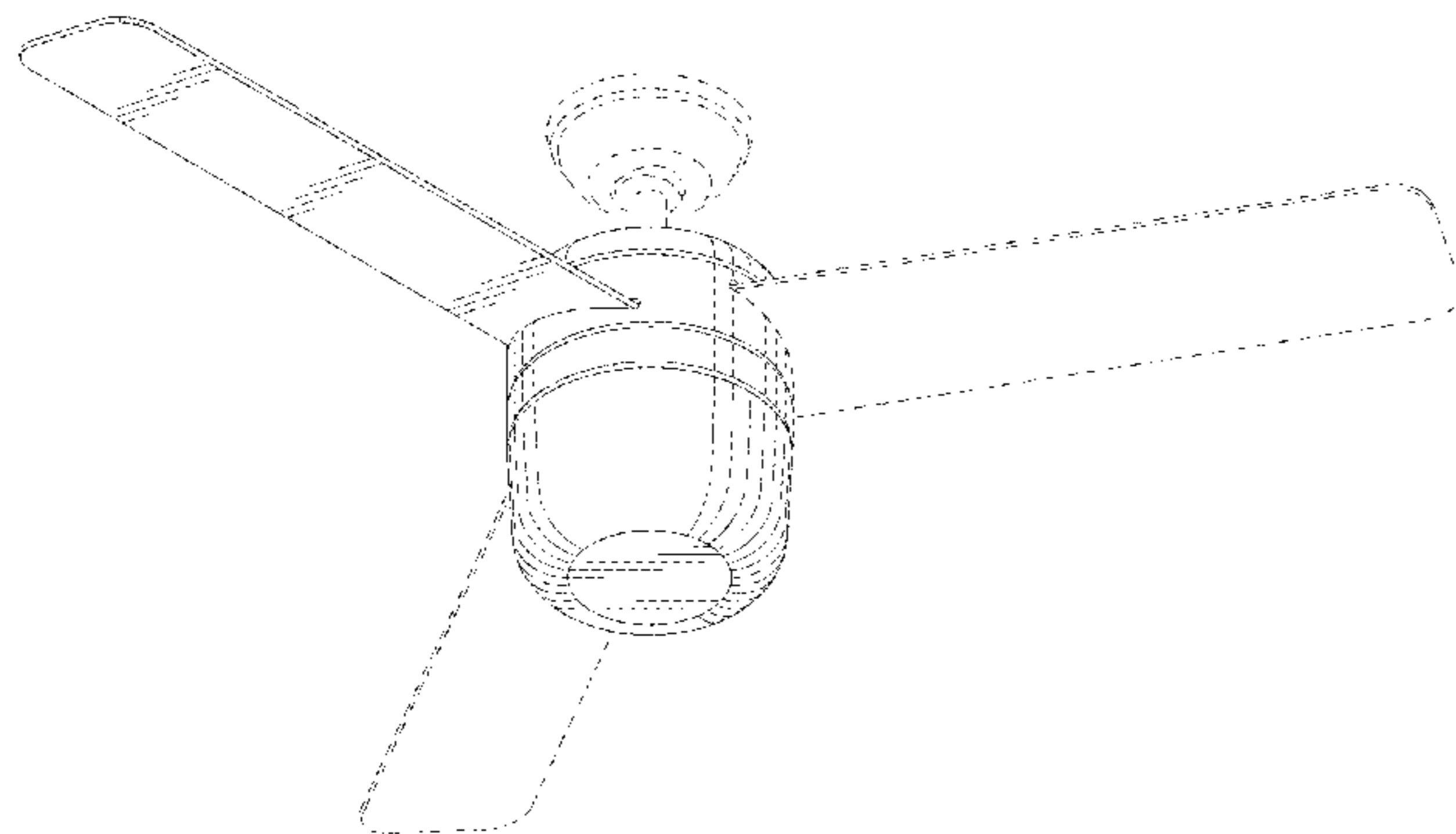
(57) **CLAIM**

The ornamental design for a ceiling fan, as shown and described.

DESCRIPTION

FIG. 1 is a top perspective view of a ceiling fan showing my new design;
FIG. 2 is a bottom perspective view of the ceiling fan of FIG. 1;
FIG. 3 is a top view of the ceiling fan of FIG. 1;
FIG. 4 is a bottom view of the ceiling fan of FIG. 1;
FIG. 5 is a front view of the ceiling fan of FIG. 1;
FIG. 6 is a rear view of the ceiling fan of FIG. 1;
FIG. 7 is a left side view of the ceiling fan of FIG. 1; and,
FIG. 8 is right side view of the ceiling fan of FIG. 1.
Portions of the ceiling fan shown in broken lines form no part of the claimed design.

1 Claim, 8 Drawing Sheets



(56)

References Cited

U.S. PATENT DOCUMENTS

9,022,731	B2 *	5/2015	Seccareccia	F04D 17/16 415/206
D739,001	S *	9/2015	Crisa'	D23/372
D751,187	S	3/2016	Dolan		
D759,799	S *	6/2016	Wang	D23/385
D771,794	S *	11/2016	Wang	D23/411
D772,393	S *	11/2016	Wang	D23/377
D782,644	S	3/2017	Wang		
D788,283	S *	5/2017	Busta	D23/377
D788,286	S *	5/2017	Busta	D23/411
D795,410	S *	8/2017	Holmes	D23/377
D799,667	S *	10/2017	Wang	D23/377
D804,639	S *	12/2017	Guthrie	D23/377
D805,174	S *	12/2017	Guthrie	D23/377
D805,175	S *	12/2017	Haggar	D23/377
D805,625	S *	12/2017	Haggar	D23/377
D808,510	S *	1/2018	Gajewski	D23/377
D809,644	S *	2/2018	Holmes	D23/377
D810,917	S *	2/2018	Holmes	D23/377
D810,920	S *	2/2018	Haggar	D23/377
D826,394	S *	8/2018	Biancuzzo	D23/411
D830,870	S *	10/2018	Shepher	D10/116.1
D834,696	S *	11/2018	Schulzman	D23/377
D834,734	S *	11/2018	Guthrie	D26/59
D854,210	S *	7/2019	Holmes	D26/59
D855,172	S *	7/2019	Holmes	D23/411
D855,788	S *	8/2019	Haggar	D23/377
D855,789	S *	8/2019	Haggar	D23/377
2015/0078906	A1 *	3/2015	Wang	F04D 25/088 416/219 R
2018/0128277	A1 *	5/2018	Chia	F04D 25/088

OTHER PUBLICATIONS

<http://www.craftmade.com/montreal-mn44>, Craftmade Montral Ceiling Fan with Blades included, Model No. MN44, accessed Apr. 4, 2017.

<http://www.montecarlofans.com/53839/60-0wen-Brushed-Steel-30WR60BSD.html>, Monte Carlo Owen Collection, 60" Ceiling Fan with Brushed Steel, Product No. 30WR60BSD, accessed Apr. 4, 2017.

<http://ceilingfans.emerson.com/shoplen/fan/fans-s-emerson-fans/fans-s-contemporary/atomical-fan-p-cf930>, Emerson Atomical Indoor/

Outdoor Brush Steel Ceiling Fan with Light, Item No. CF930, accessed Apr. 4, 2017.

<https://www.casablancafanco.com/Ceiling-Fans/Isotope-Small-Room?ModelNumber=59020>, Casablanca Isotope 44" Ceiling Fan in Brushed Cocoa an 5 Espresso Veneer Exclusive Blades, Model No. 59020, accessed Apr. 4, 2017.

<http://www.fanimation.com/products/index.php/fans/level.html>, Fanimation Level Ceiling Fan in category—fans, hugger, indoor, Model No. LP8347, accessed Apr. 4, 2017.

<http://www.craftmade.com/beltre-bel52bnk3crwm>, Craftmade Beltre 52" Ceiling Fan with Blades and Light, Model No. BEL52BNK3CRW, accessed Apr. 4, 2017.

<http://www.fanimation.com/products/index.php/fans/pylon.html>, Fanimation Pylon in category—fans, indoor, Model No. LP8277, accessed Apr. 4, 2017.

<http://www.kichler.com/products/product/52-arkwet-patio-ceiling-fan-mwh-339529mwh.aspx>, Kichler Arkwet Patio Collection, 52" Ceiling Fan, Item No. 339529MWH (Matte White), accessed Apr. 4, 2017.

<https://www.lowes.com/pd/Harbor-Breeze-Riverview-36-in-Bronze-Downrod-or-Close-Mount-Indoor-Ceiling-Fan-with-Light-Kit-4-Blade/1000124909>, Harbor Breeze Riverview 36-in Bronze Downrod or Close Mount Infloor Ceiling Fan with Light Kit, Model No. 40662, accessed Apr. 4, 2017.

<http://www.fanimation.com/products/index.php/fans/hugh-52.html>, Fanimation Hugh 52 Ceiling Fan in catogeries—fans, hugger and Wet Rated, Model No. FPS8355, accessed Apr. 4, 2017.

<http://www.homedepot.com/p/Hampton-Bay-Moresco-32-in-Oil-Rubbed-Bronze-Ceiling-Fan-14411/203697106>, Hampton Bay Moresco 32 i. Oil Rubbed Bronze Ceiling Fan, Model No. 14411, accessed Apr. 4, 2017.

<http://www.quorumintemational.com/index.cfm/app/productDetail?product=65524-95>, Quorum International, Davenport Old World Ceiling Fan, Item No. 65524-95, accessed Apr. 4, 2017.

<http://www.homedepot.com/p/Hampton-Bay-Roanoke-48-in-Indoor-Outdoor-Iron-Ceiling-Fan-YG216-N1/100666130>, Hampton Bay Roanoke 48 in. Indoor/Outdoor Iron Ceiling Fan, Model No. YG216-NI, accessed Apr. 4, 2017.

<http://www.homedepot.com/p/Hampton-Bay-Maxwell-52-in-Mediterranean-Bronze-Ceiling-Fan-55370/203788029>, Hampton Bay Maxwell 52 in. Mediterranean Bronze Ceiling Fan, Model No. 55370, accessed Apr. 4, 2017.

* cited by examiner

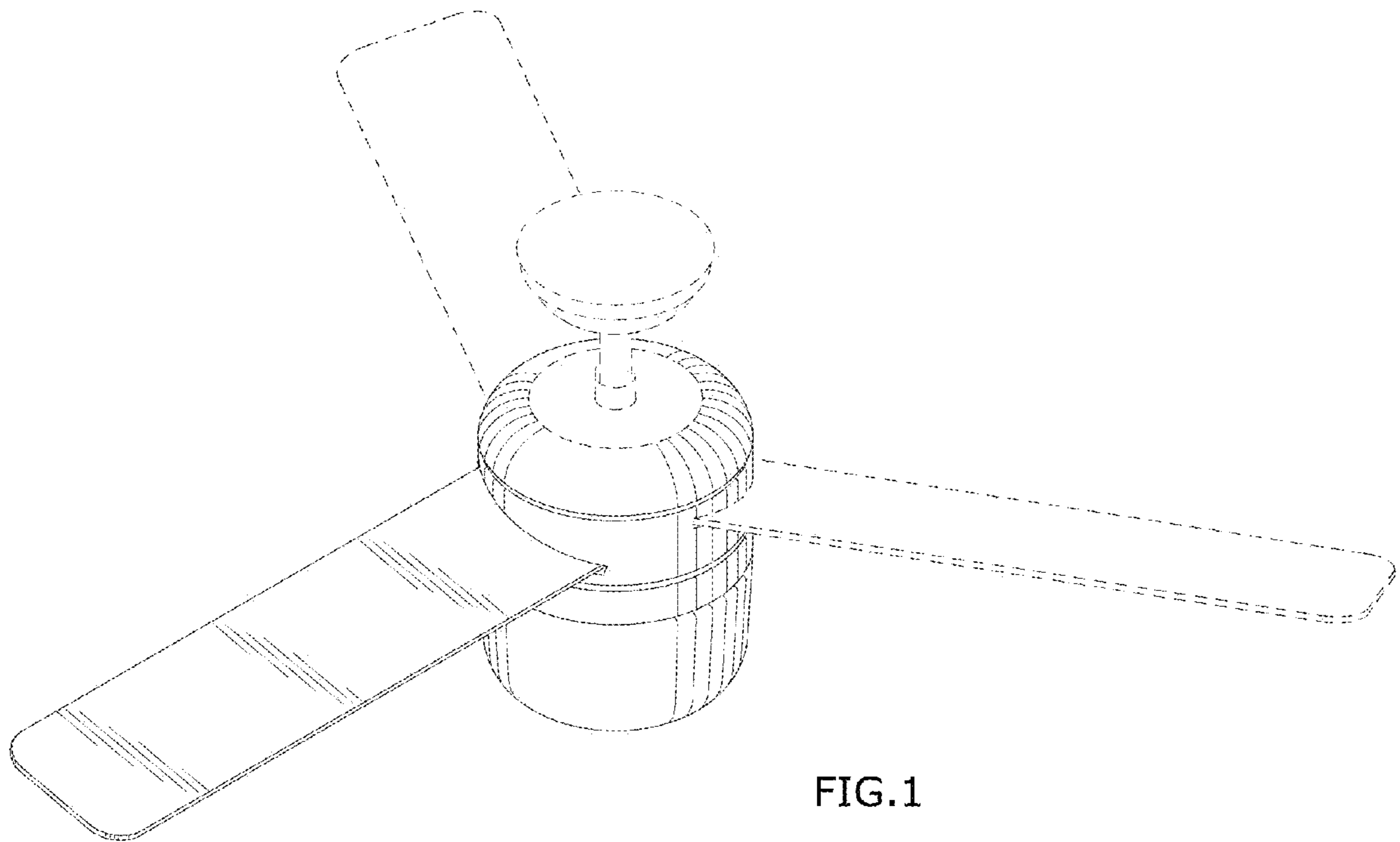


FIG.1

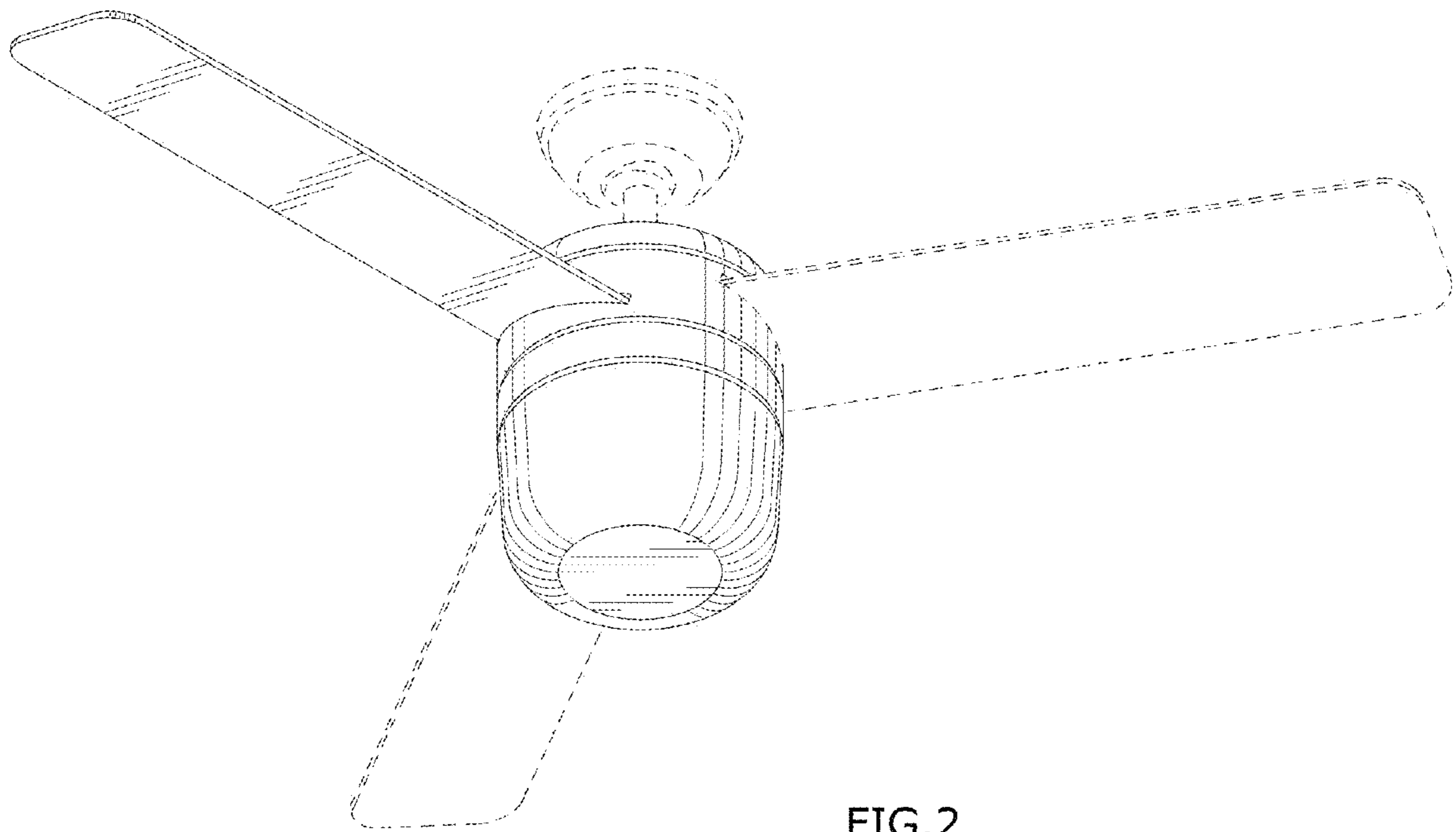


FIG. 2

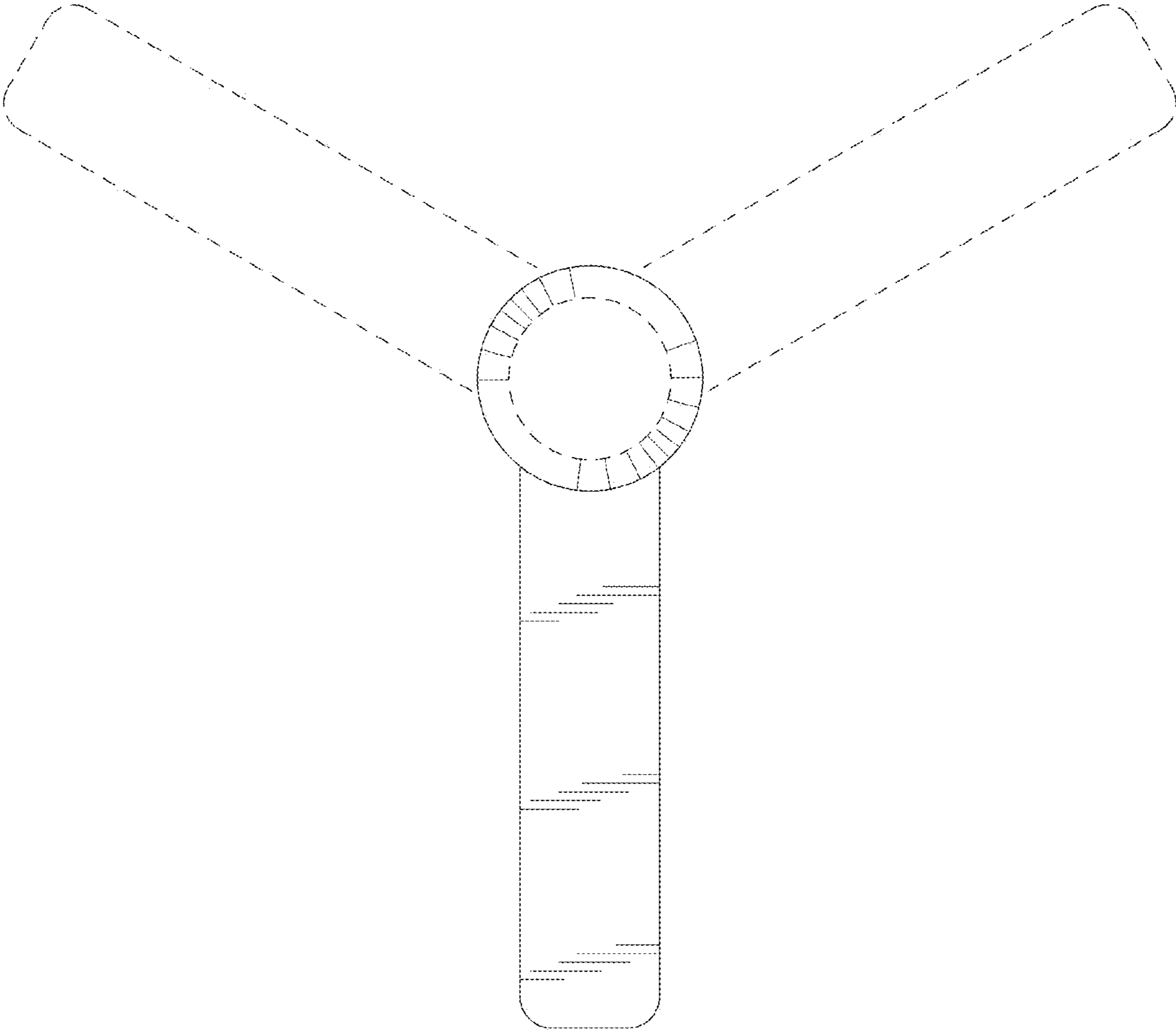


FIG.3

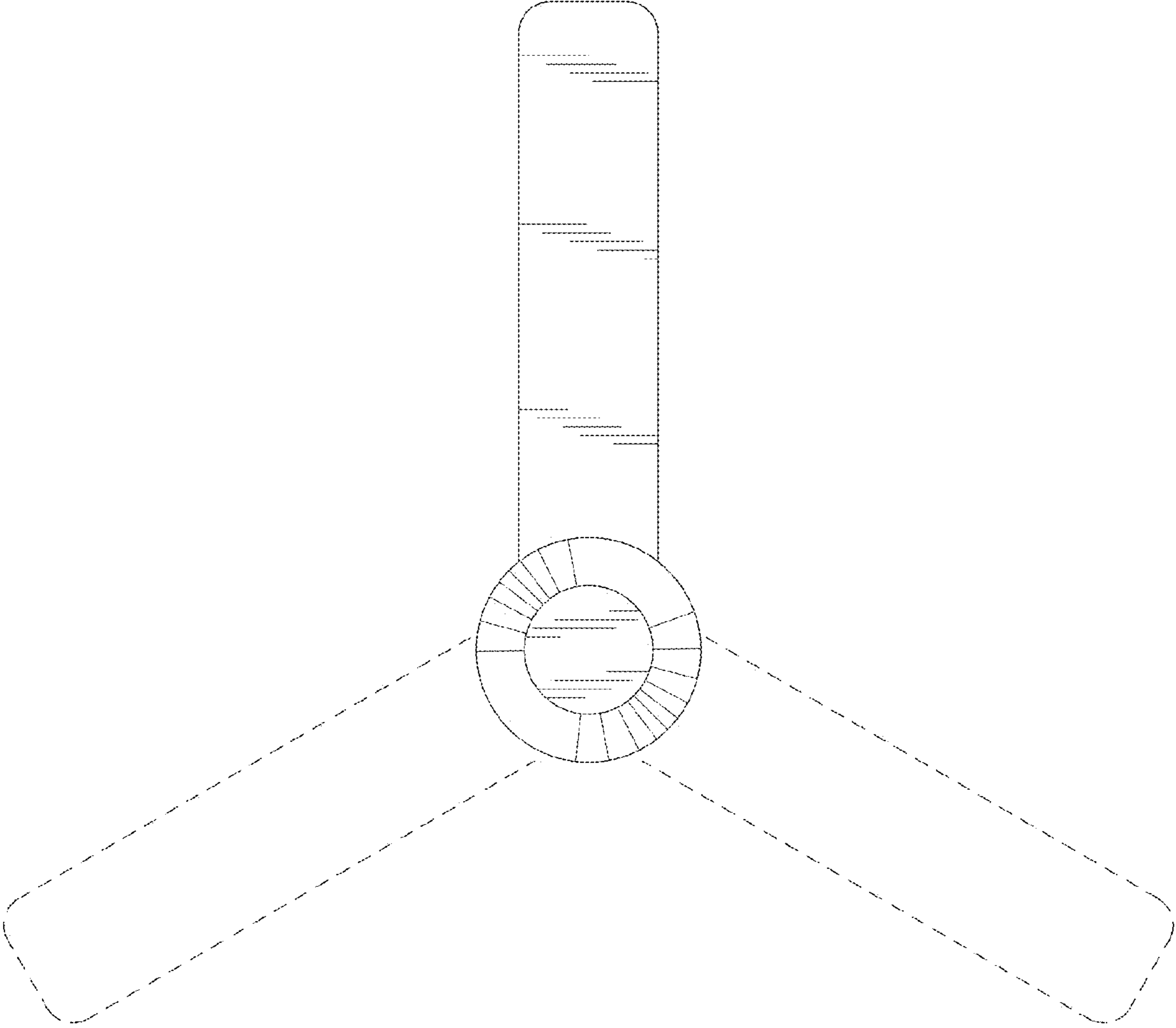


FIG.4

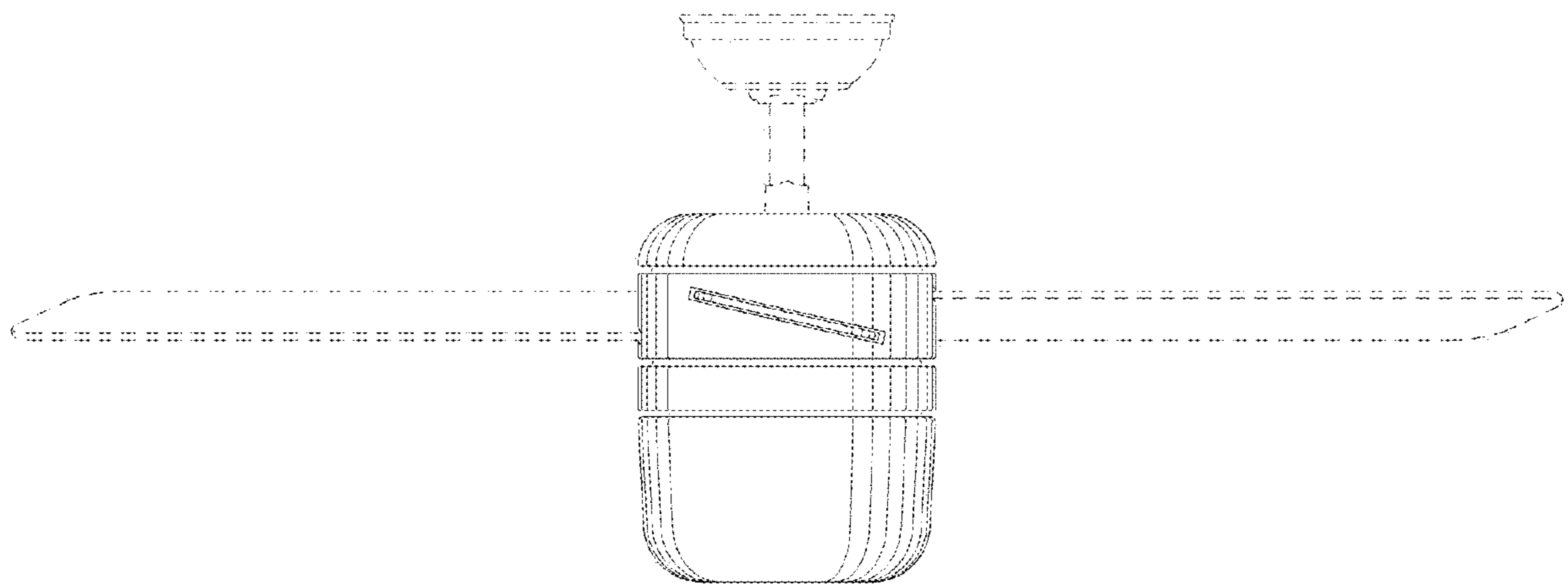


FIG. 5

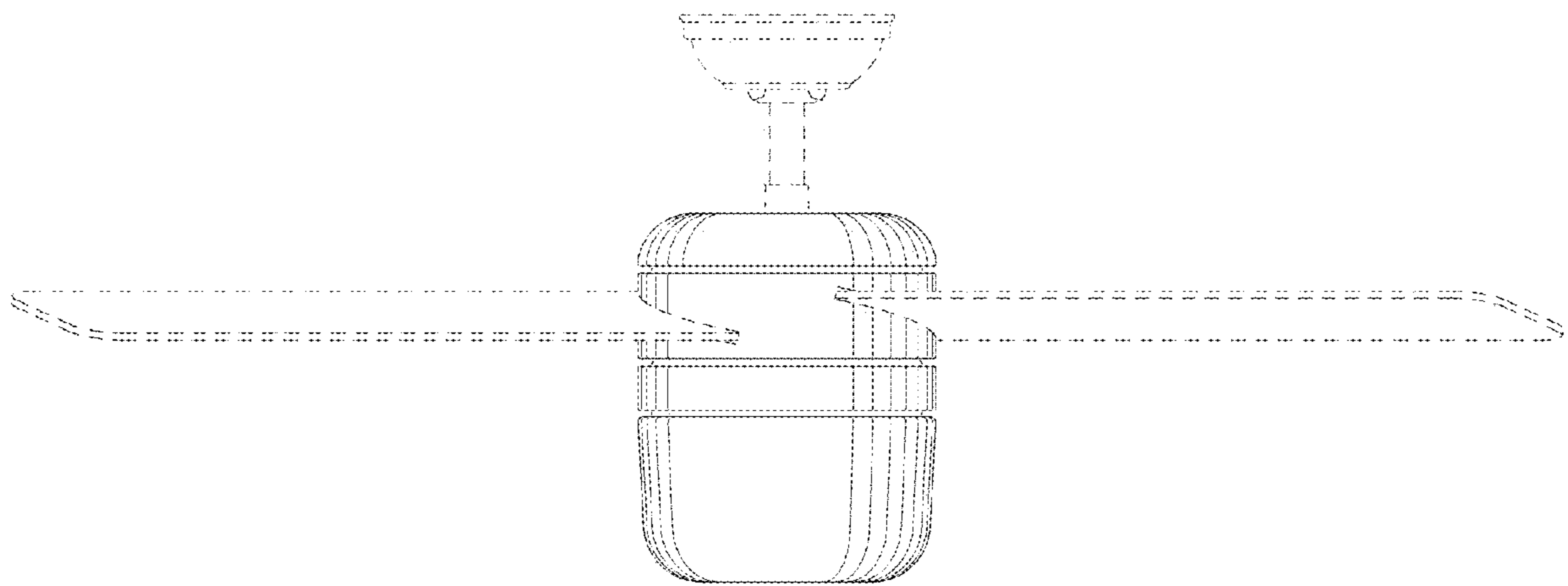


FIG.6

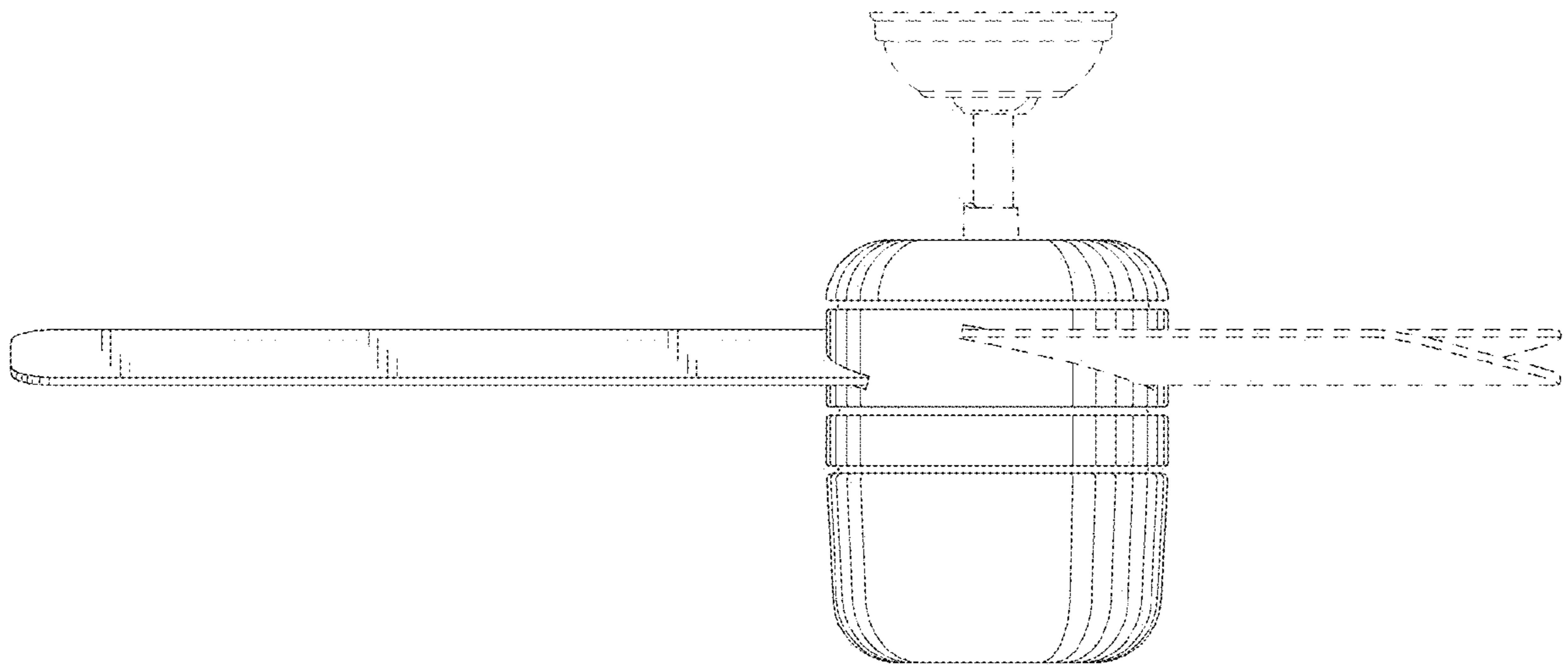


FIG. 7

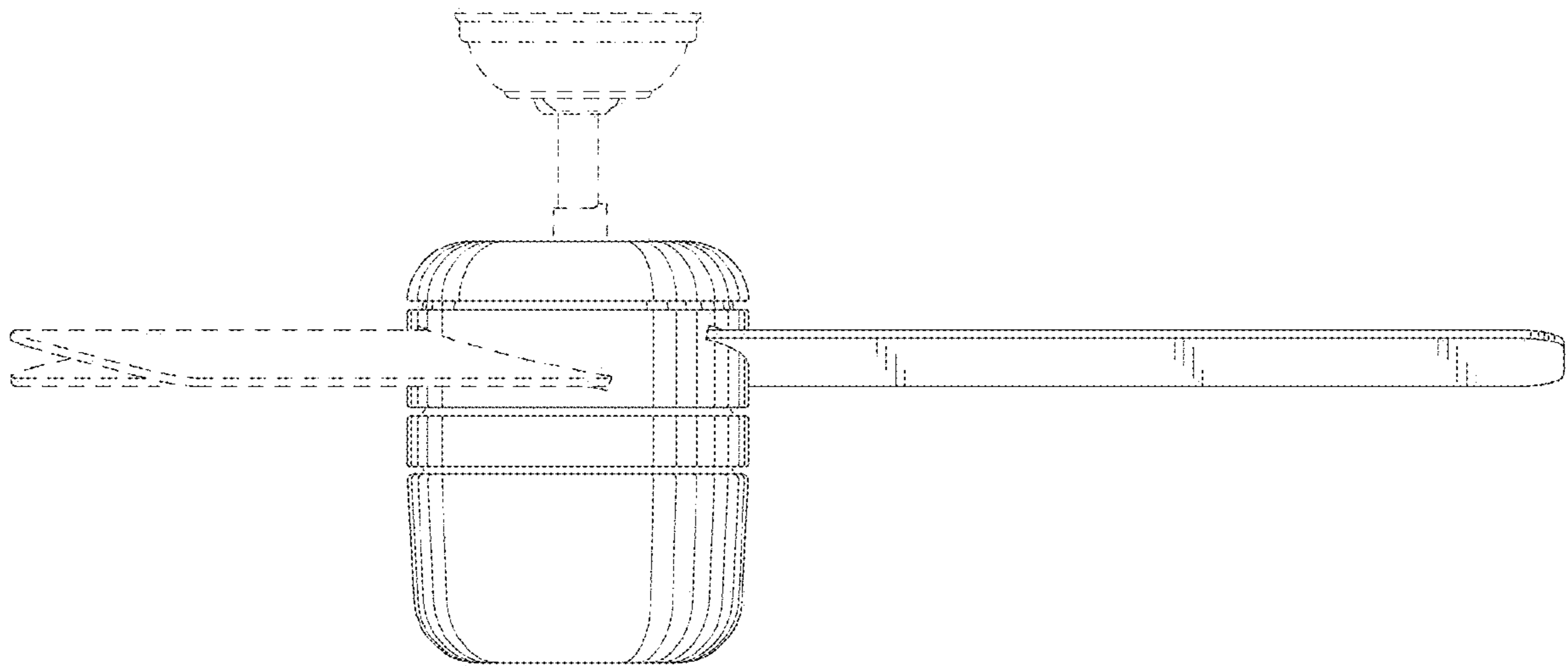


FIG.8