



US00D874632S

(12) **United States Design Patent**
Holmes

(10) **Patent No.:** **US D874,632 S**

(45) **Date of Patent:** **** Feb. 4, 2020**

- (54) **CEILING FAN**
- (71) Applicant: **HUNTER FAN COMPANY**,
Memphis, TN (US)
- (72) Inventor: **Christine Holmes**, Memphis, TN (US)
- (73) Assignee: **Hunter Fan Company**, Memphis, TN
(US)
- (**) Term: **15 Years**
- (21) Appl. No.: **29/606,409**
- (22) Filed: **Jun. 5, 2017**
- (51) **LOC (12) Cl.** **23-04**
- (52) **U.S. Cl.**
USPC **D23/377**; D26/59
- (58) **Field of Classification Search**
USPC D23/355, 370–387, 411–414; D26/59
CPC F04D 25/088; F04D 29/38; F04D 29/384;
F04D 29/386; F21V 33/0096
See application file for complete search history.

(56) **References Cited**

U.S. PATENT DOCUMENTS

D328,951 S	8/1992	Scofield et al.	
D340,514 S	* 10/1993	Liao	D23/328
D377,975 S	2/1997	Young	
D419,660 S	1/2000	Zuege	
D420,120 S	2/2000	Evans	
D451,592 S	12/2001	Dolan	
D480,796 S	10/2003	Young	
D483,847 S	12/2003	Tai	
D517,203 S	3/2006	Young	
D524,927 S	7/2006	Young	
D556,940 S	12/2007	Gajewski	
D594,544 S	6/2009	Pan	
D618,786 S	6/2010	Hidalgo	
D619,238 S	* 7/2010	Hidalgo	D23/377

D620,586 S	* 7/2010	Hidalgo	D23/411
D648,843 S	11/2011	Chen	
D652,980 S	* 1/2012	Yoshida	D26/89
D657,083 S	* 4/2012	Kline	D26/63
D660,952 S	* 5/2012	Spaggiari	D23/370
D690,453 S	9/2013	Guercio et al.	
D700,984 S	3/2014	Yang	
D704,819 S	5/2014	Wang	
D771,235 S	* 11/2016	Hoff	D23/411
D784,510 S	* 4/2017	Badarello	D23/385
D789,509 S	* 6/2017	Wang	D23/377
D804,635 S	* 12/2017	Holmes	D23/377
D806,852 S	* 1/2018	Holmes	D23/377
D825,052 S	* 8/2018	Guthrie	D23/411
D825,086 S	* 8/2018	Holmes	D26/59
D833,596 S	* 11/2018	Schulzman	D23/377
D840,014 S	* 2/2019	Badarello	D23/385

* cited by examiner

Primary Examiner — Cathron C Brooks

Assistant Examiner — Sharon S Oum

(74) *Attorney, Agent, or Firm* — McGarry Bair PC

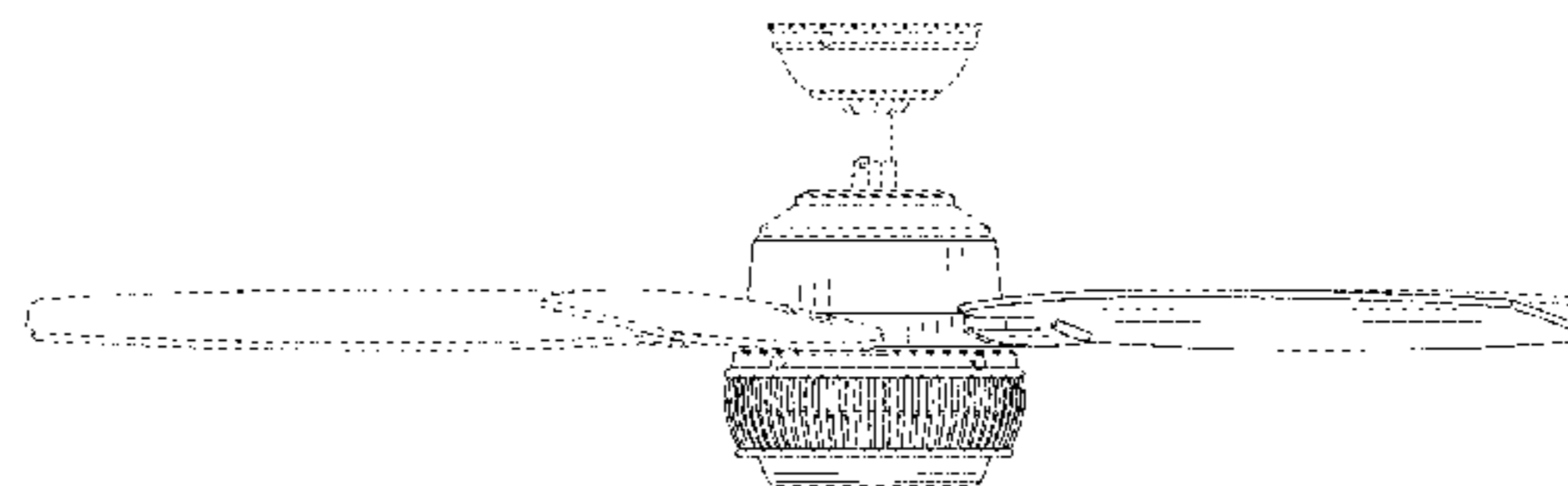
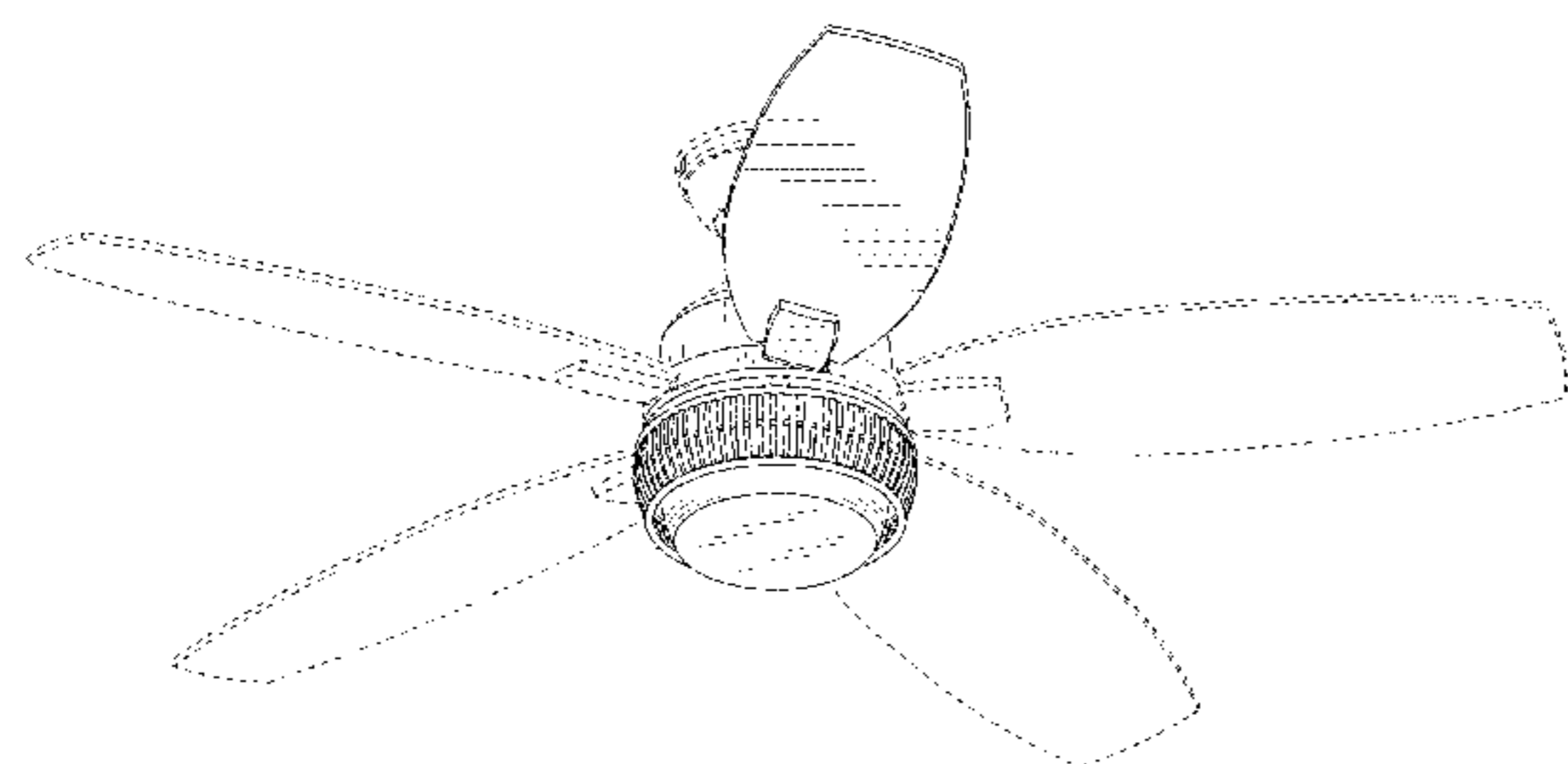
(57) **CLAIM**

The ornamental design for a ceiling fan, as shown and described.

DESCRIPTION

FIG. 1 is a top perspective view of a ceiling fan;
 FIG. 2 is a bottom perspective view of the ceiling fan of FIG. 1;
 FIG. 3 is a top view of the ceiling fan of FIG. 1;
 FIG. 4 is a bottom view of the ceiling fan of FIG. 1;
 FIG. 5 is a left side view of the ceiling fan of FIG. 1;
 FIG. 6 is a right side view of the ceiling fan of FIG. 1;
 FIG. 7 is a rear side view of the ceiling fan of FIG. 1; and,
 FIG. 8 is a front side view of the ceiling fan of FIG. 1.
 Portions of the ceiling fan shown in broken line form no part of the claimed design.

1 Claim, 8 Drawing Sheets



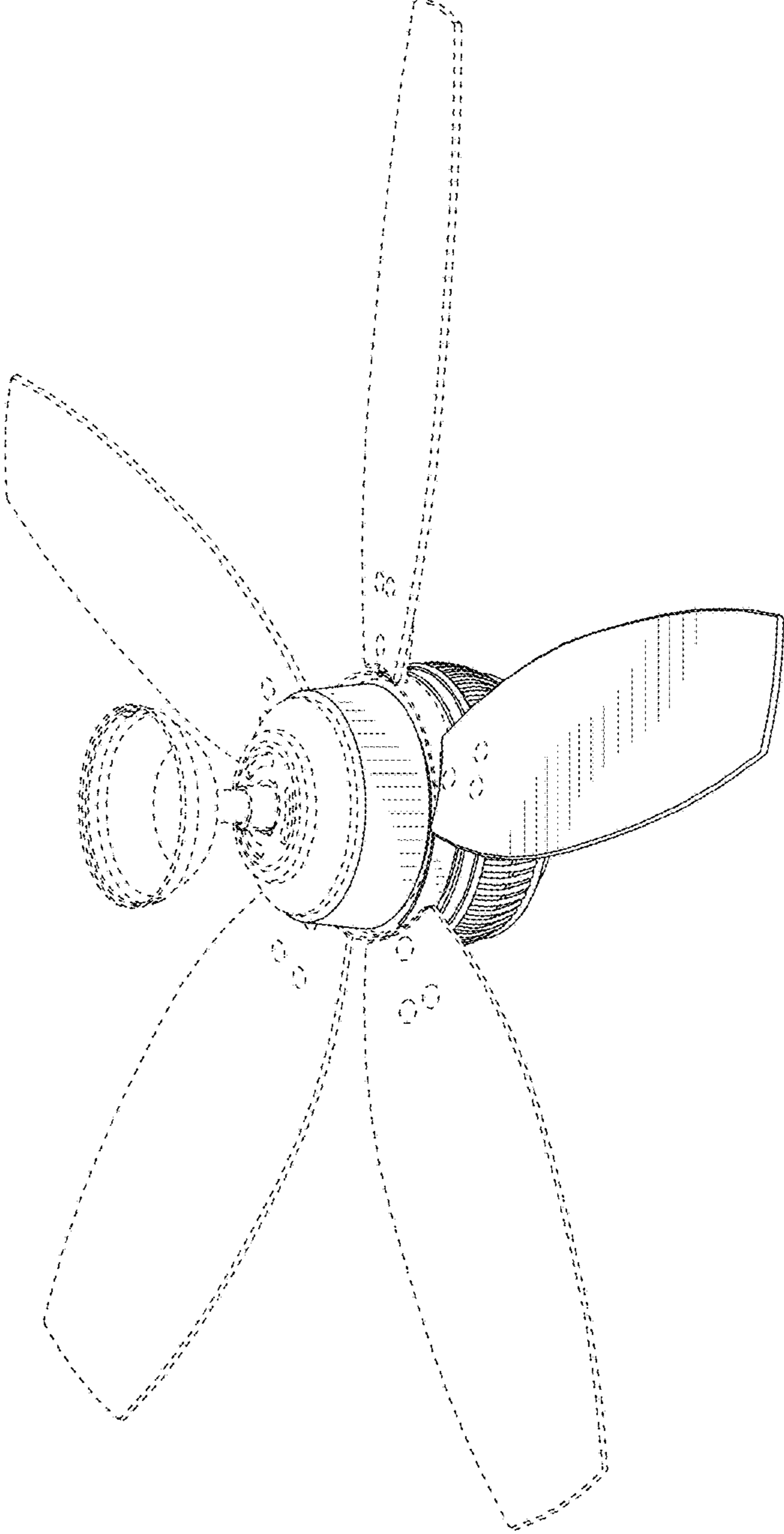


FIG. 1

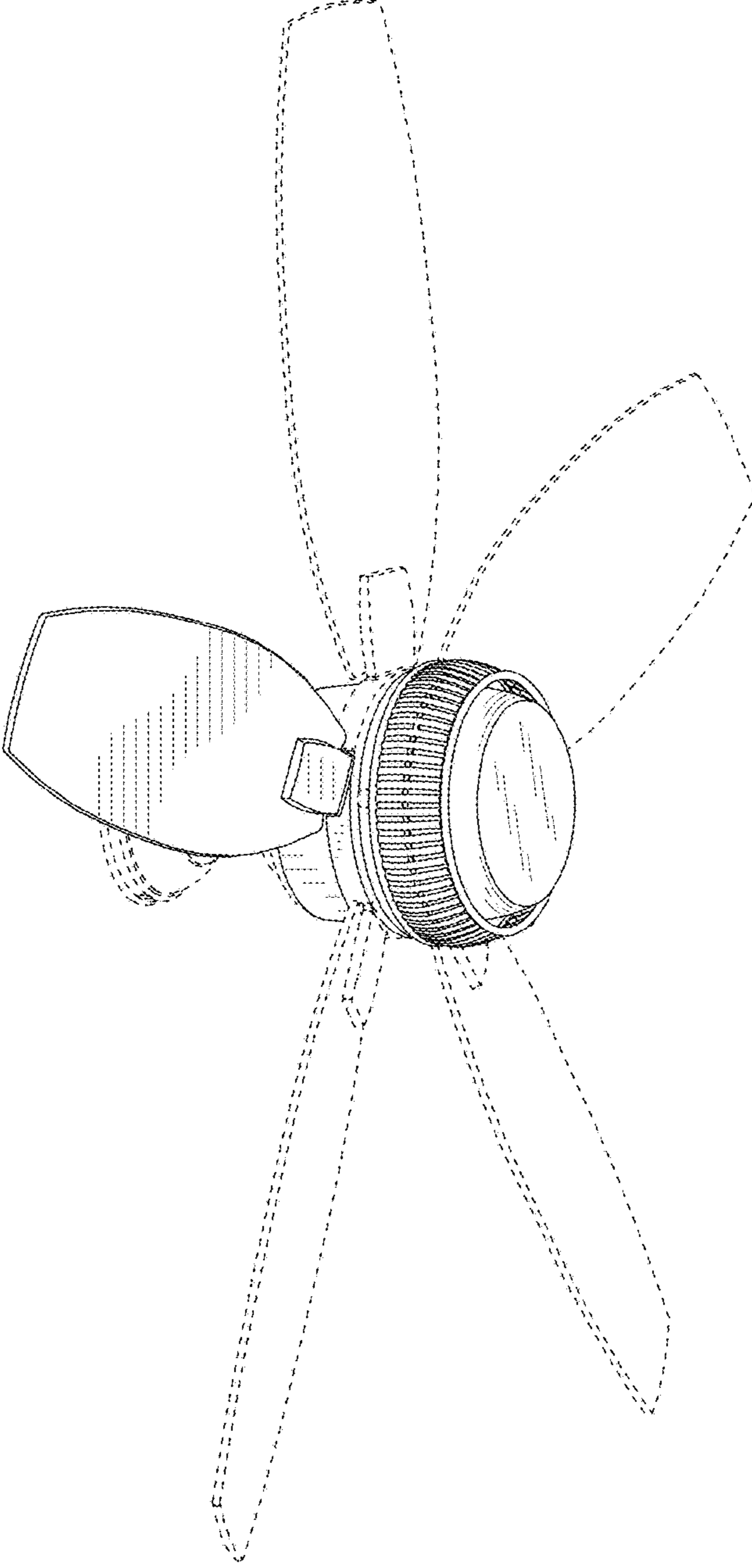


FIG. 2

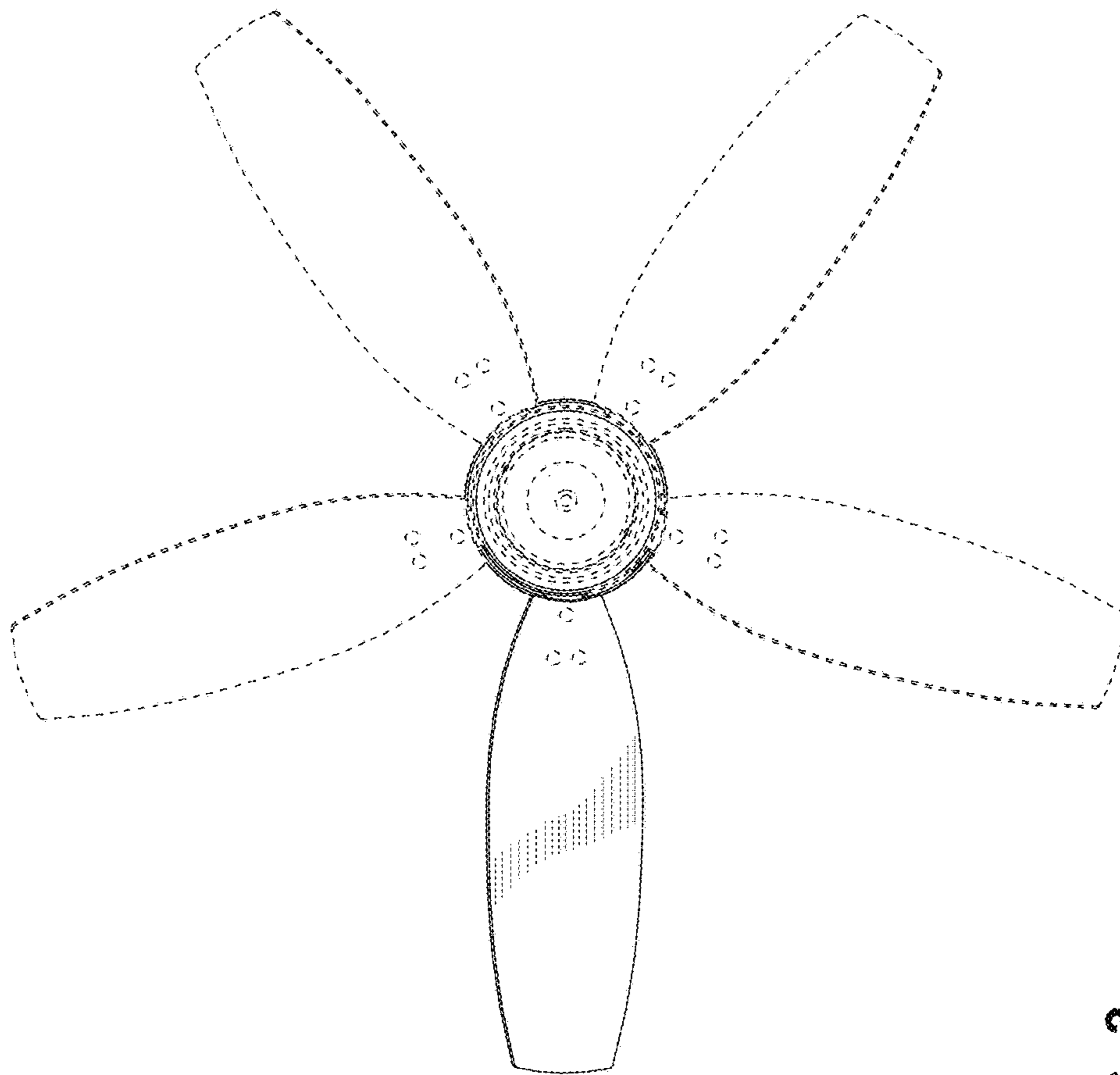


FIG. 3

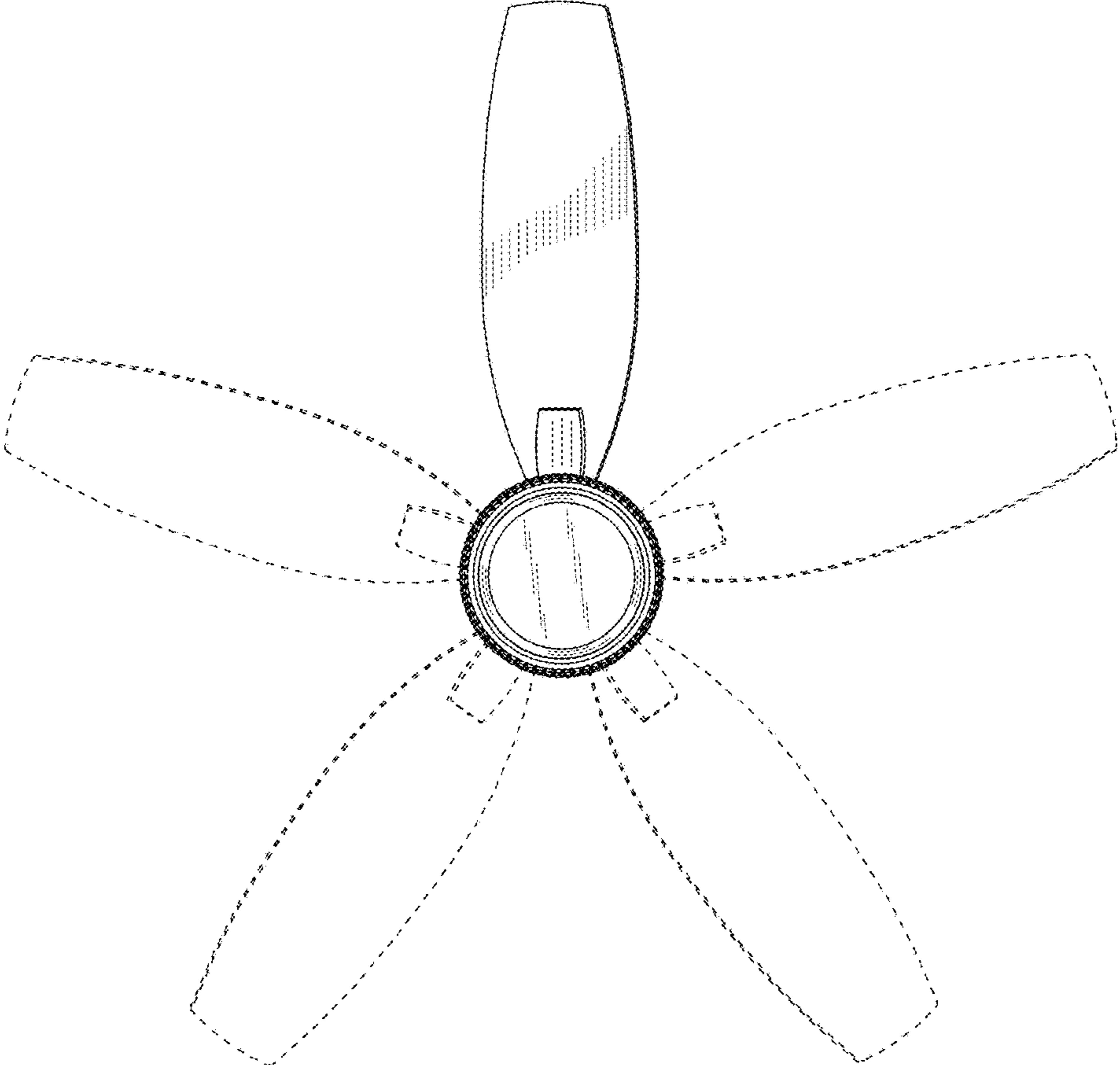


FIG. 4

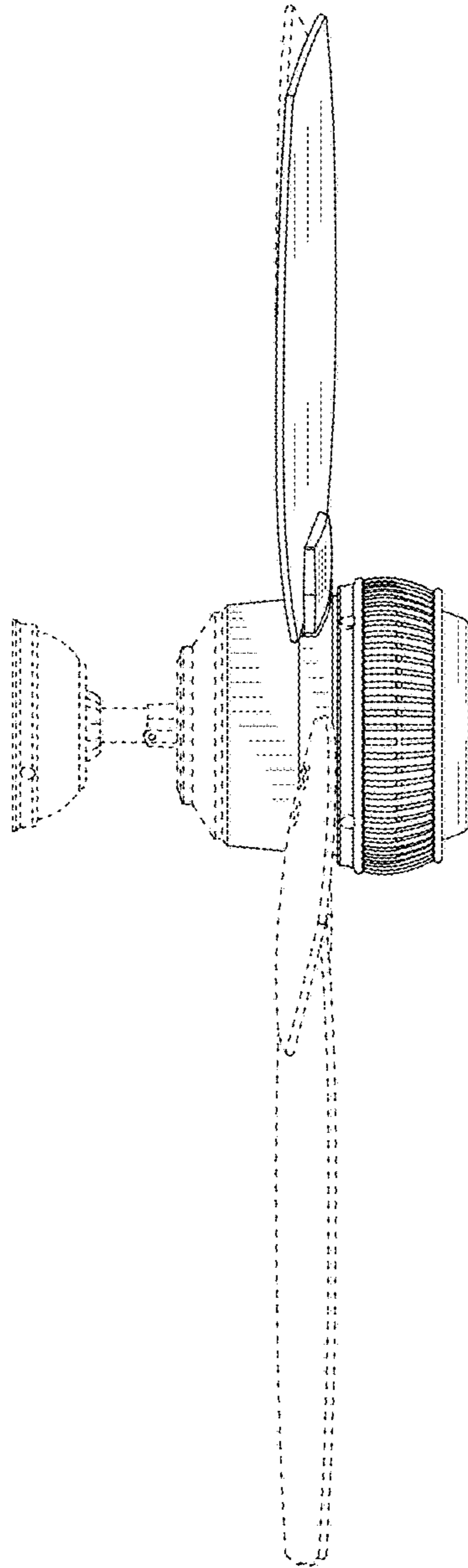


FIG. 5

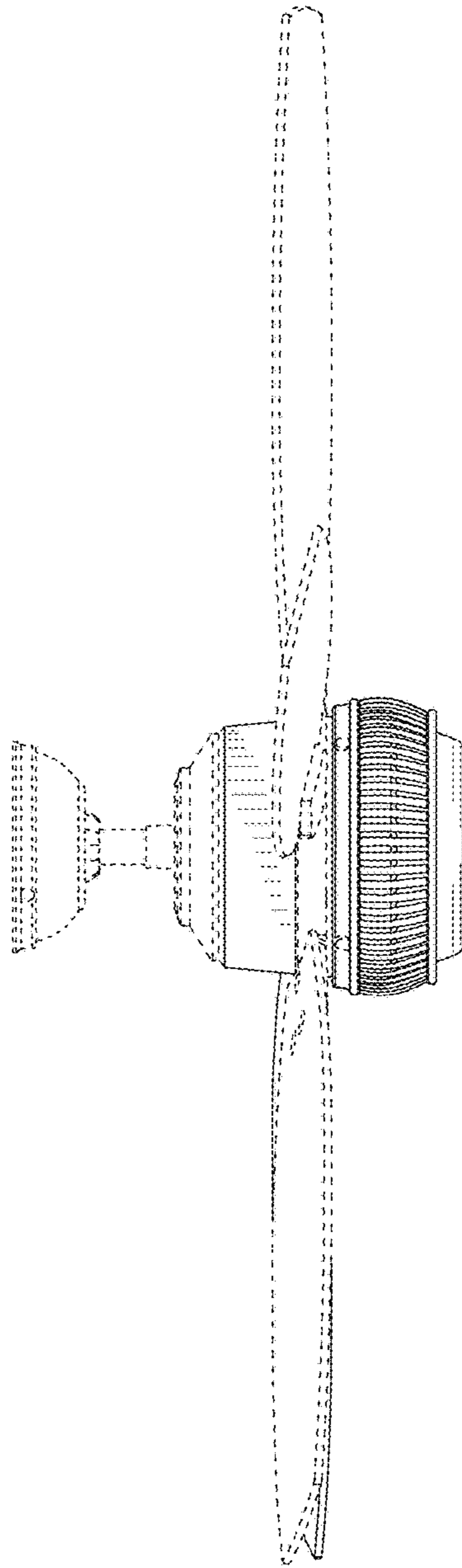


FIG. 6

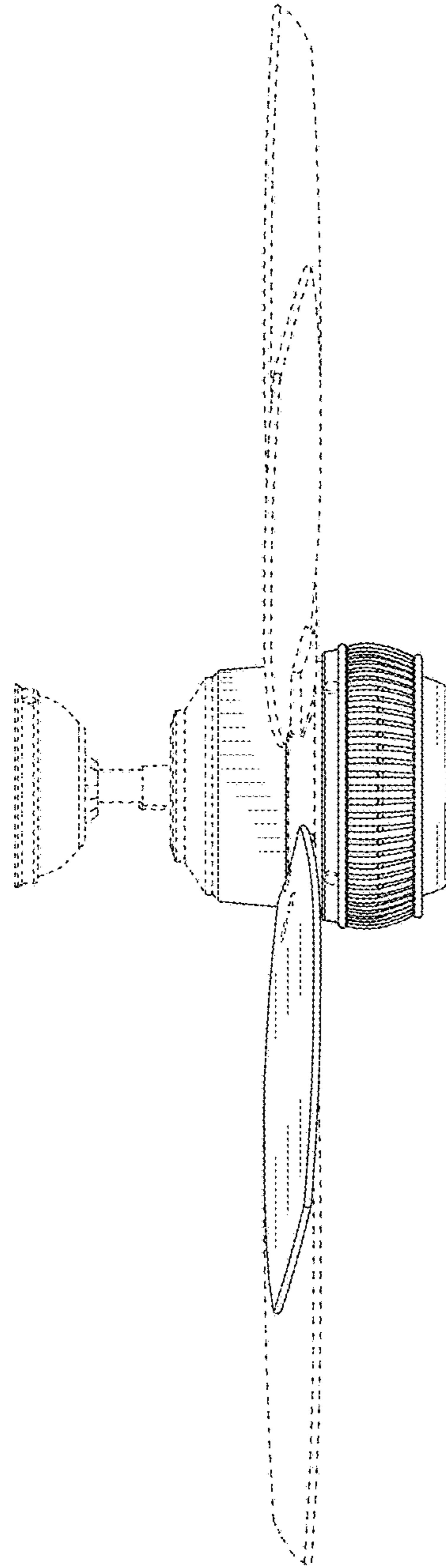


FIG. 7

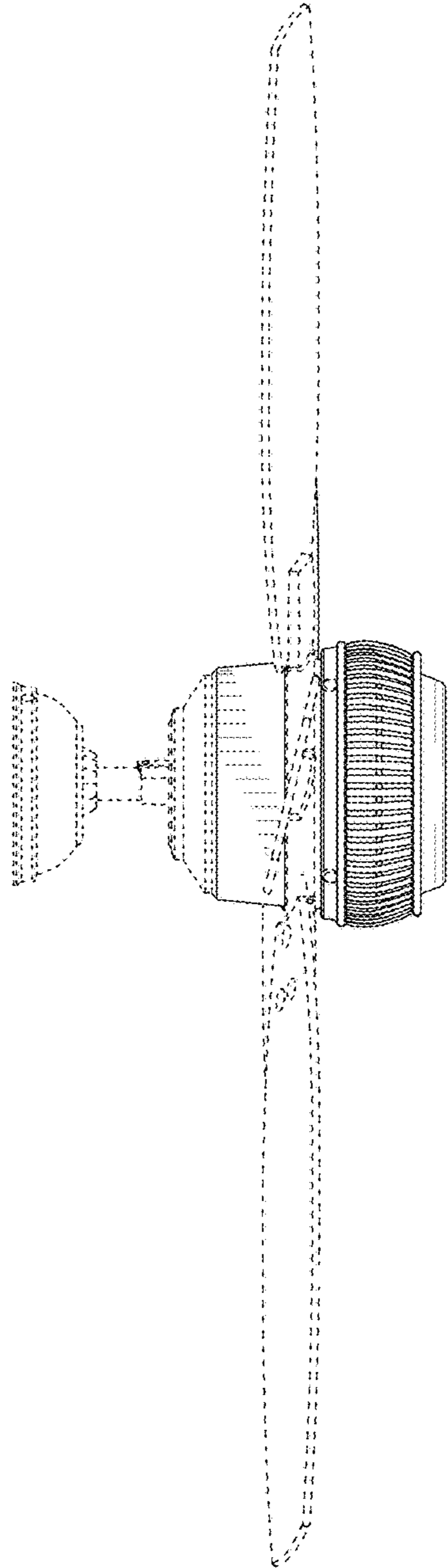


FIG. 8