



US00D874631S

(12) **United States Design Patent**
Lee et al.

(10) **Patent No.:** **US D874,631 S**

(45) **Date of Patent:** **** Feb. 4, 2020**

(54) **DIFFUSER**

(71) Applicant: **elago CO. LTD**, Goyang-si,
Gyeonggi-do (KR)

(72) Inventors: **Chan Woo Lee**, Goyang-si (KR);
Chong Min Kim, Seoul (KR)

(73) Assignee: **elago CO. LTD**, Goyang-si,
Gyeonggi-Do (KR)

(**) Term: **15 Years**

(21) Appl. No.: **29/668,350**

(22) Filed: **Oct. 30, 2018**

(51) **LOC (12) Cl.** **23-04**

(52) **U.S. Cl.**
USPC **D23/366**

(58) **Field of Classification Search**
USPC D23/208, 355-369; D14/209.1, 212-213;
D8/1, 310, 311, 391; D7/393
CPC A61L 9/02; A61L 9/03; A61L 9/12; A61L
9/035; A61L 9/125; A61L 2209/15; A61L
2209/16
See application file for complete search history.

(56) **References Cited**

U.S. PATENT DOCUMENTS

D155,349 S * 9/1949 Lear D8/310
D204,138 S * 3/1966 Olson D8/310
D323,383 S * 1/1992 Keays D23/366
D373,626 S * 9/1996 Dente D23/366
D491,257 S * 6/2004 Picken, Jr. F21S 8/035
D23/366
D525,517 S * 7/2006 Baldwin D8/310

D597,632 S * 8/2009 Obara D23/250
D793,808 S * 8/2017 Weaden D7/378
D810,970 S * 2/2018 Thompson D26/26
10,041,639 B1 * 8/2018 Thompson F21S 8/035
D838,826 S * 1/2019 Beychok D23/366

* cited by examiner

Primary Examiner — Sheryl Lane

Assistant Examiner — Calvin E Vansant

(74) *Attorney, Agent, or Firm* — Paratus Law Group,
PLLC

(57) **CLAIM**

The ornamental design for a diffuser, as shown and described.

DESCRIPTION

FIG. 1 is a front and top perspective view of diffuser showing claimed design;
FIG. 2 is a front view thereof;
FIG. 3 is a back view thereof;
FIG. 4 is a left side view thereof;
FIG. 5 is a right side view thereof;
FIG. 6 is a top view thereof;
FIG. 7 is a bottom view thereof;
FIG. 8 is a front and top perspective exploded view thereof;
FIG. 9 is a front and bottom perspective view thereof; and,
FIG. 10 a front and bottom perspective exploded view thereof.

The portions of the article shown in broken lines in FIG. 10 form no part of the claimed design.

1 Claim, 7 Drawing Sheets

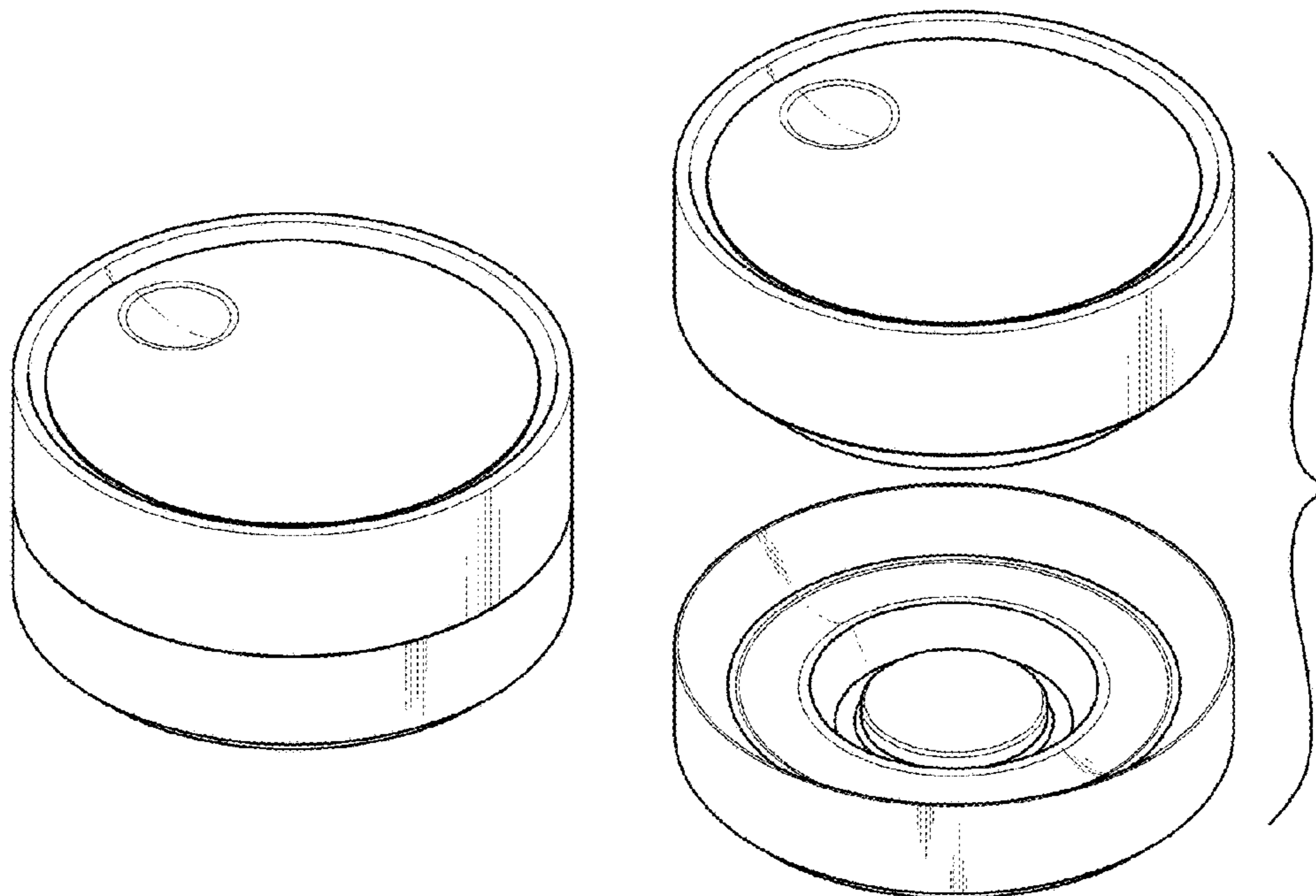


FIG. 1

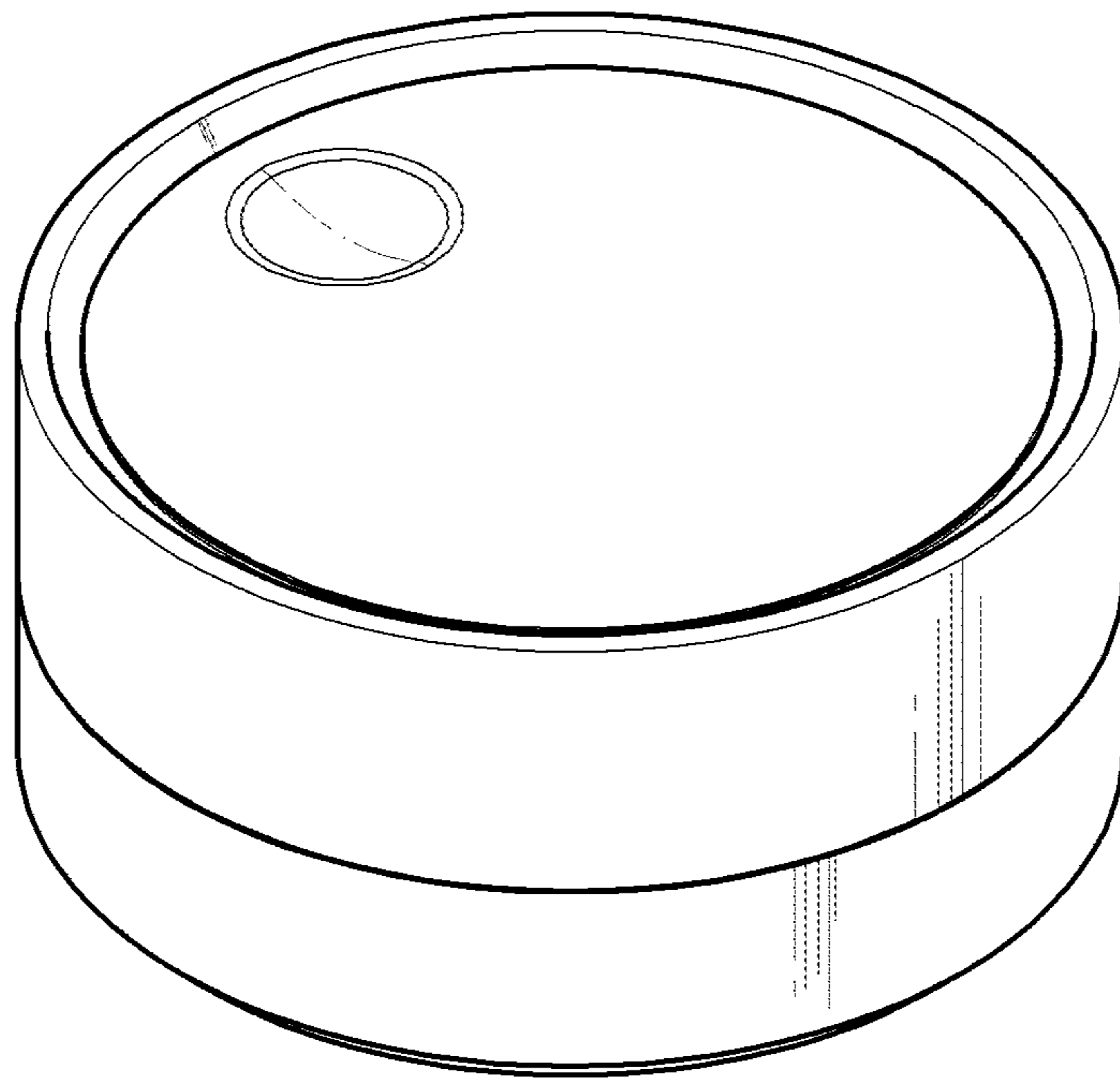


FIG. 2

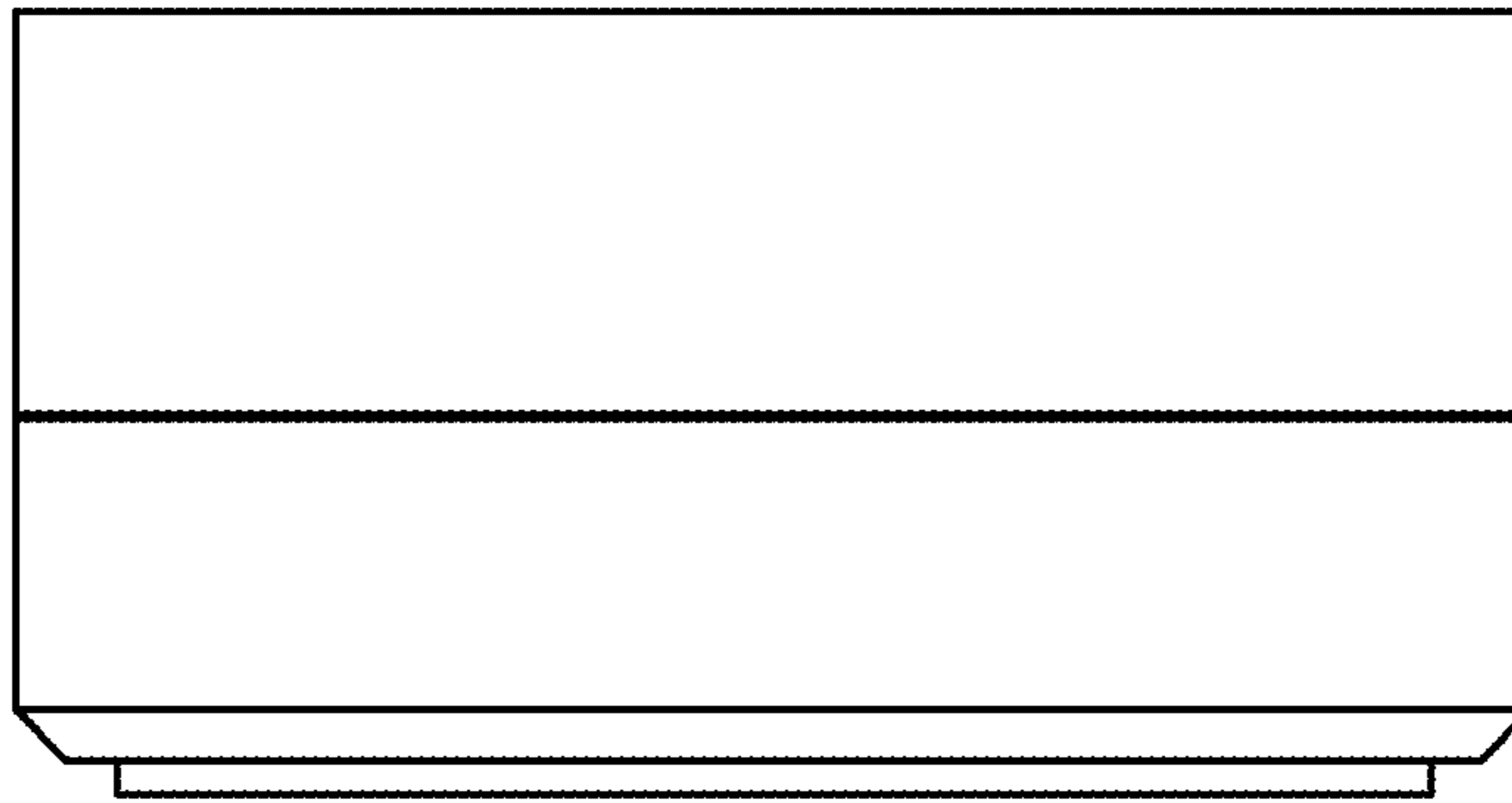


FIG. 3

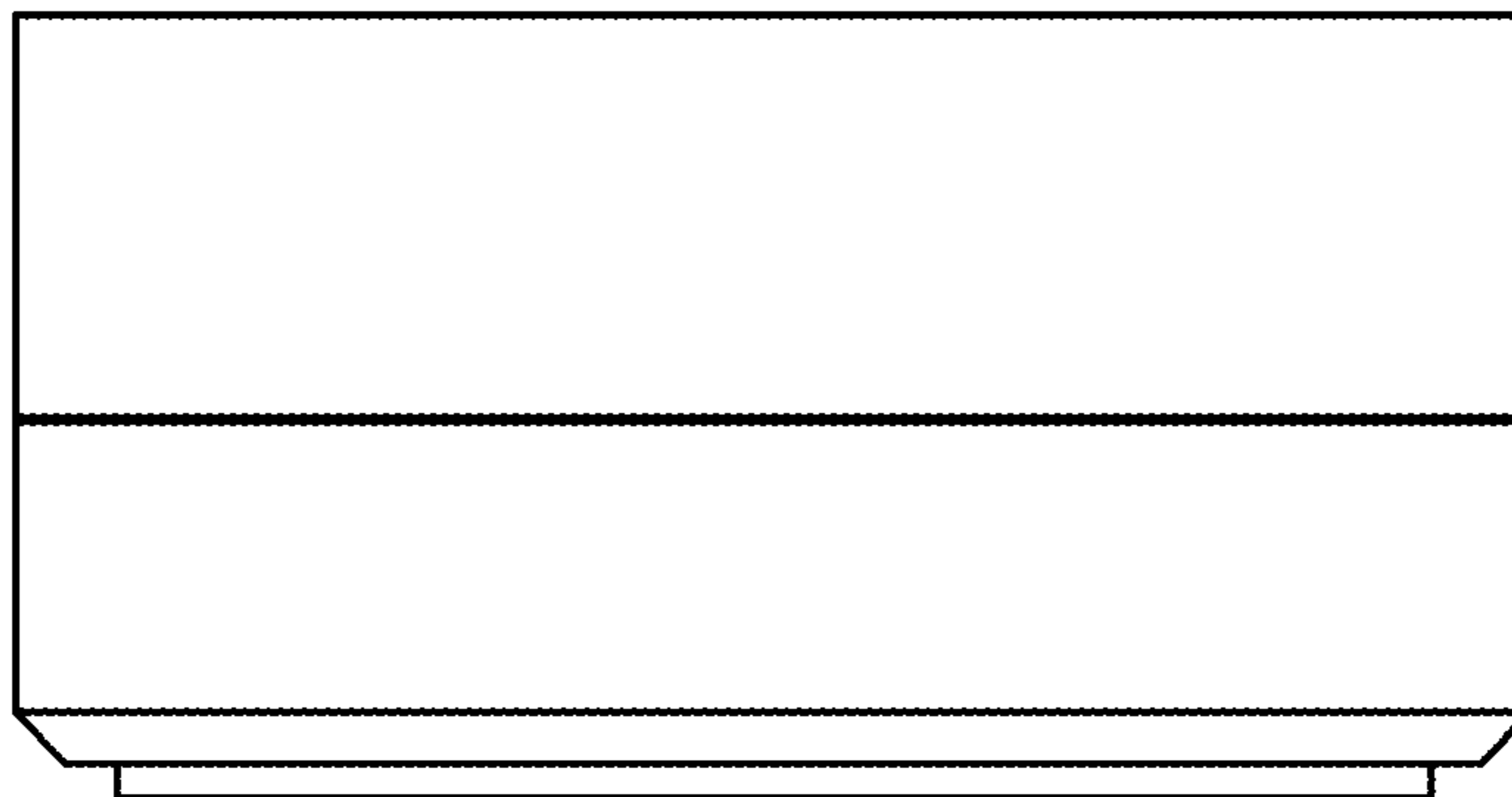


FIG. 4

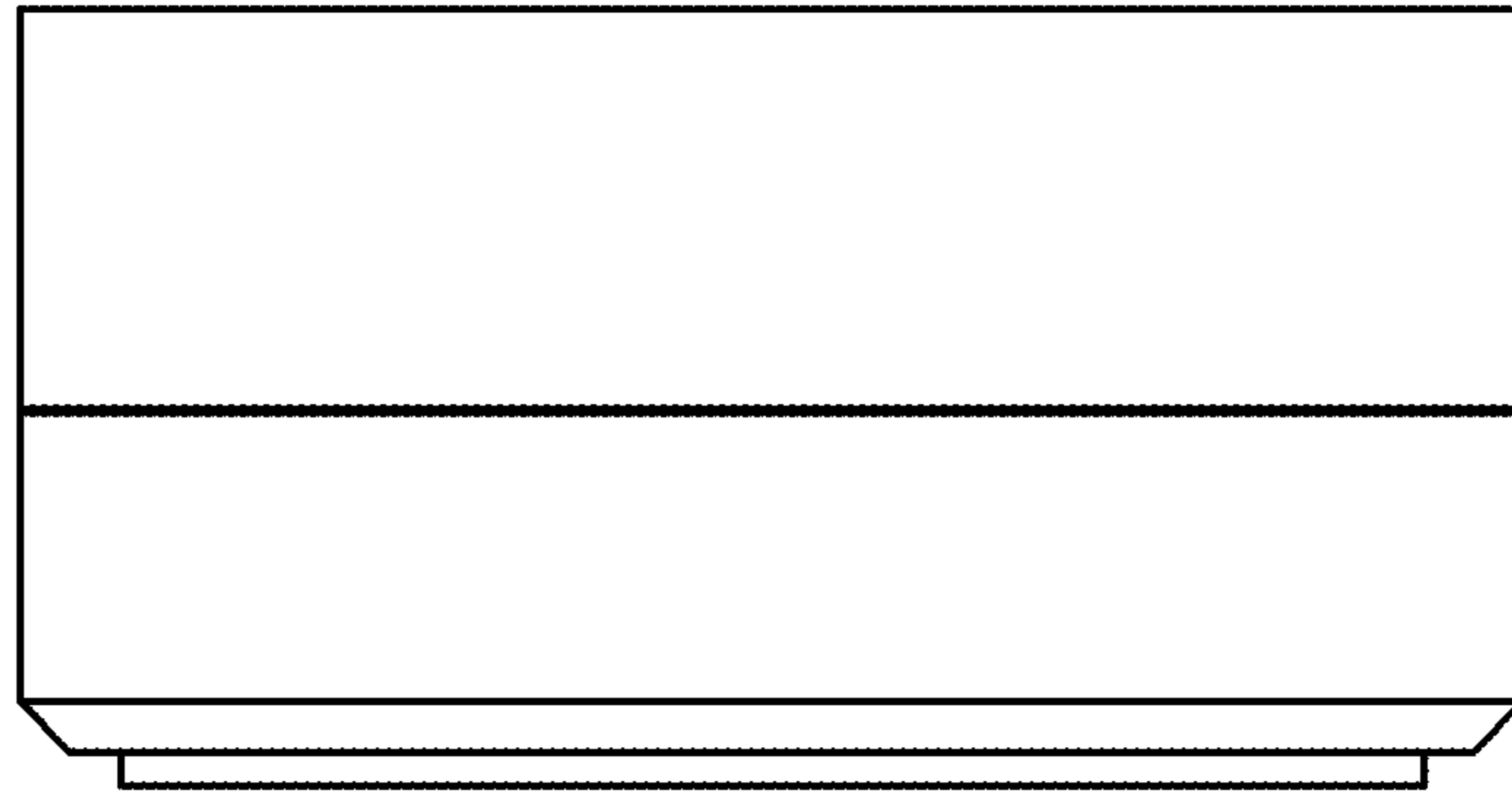


FIG. 5

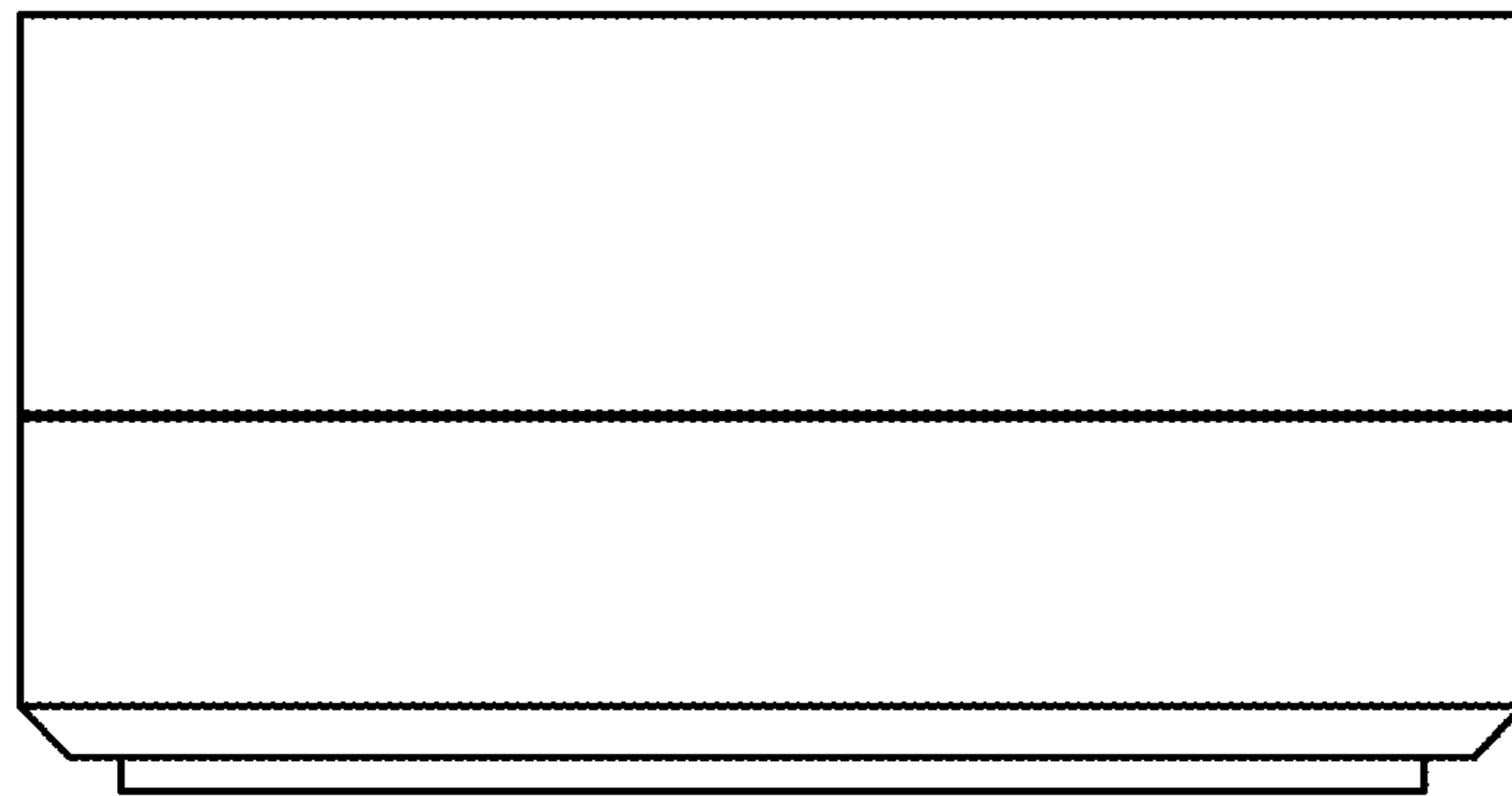


FIG. 6

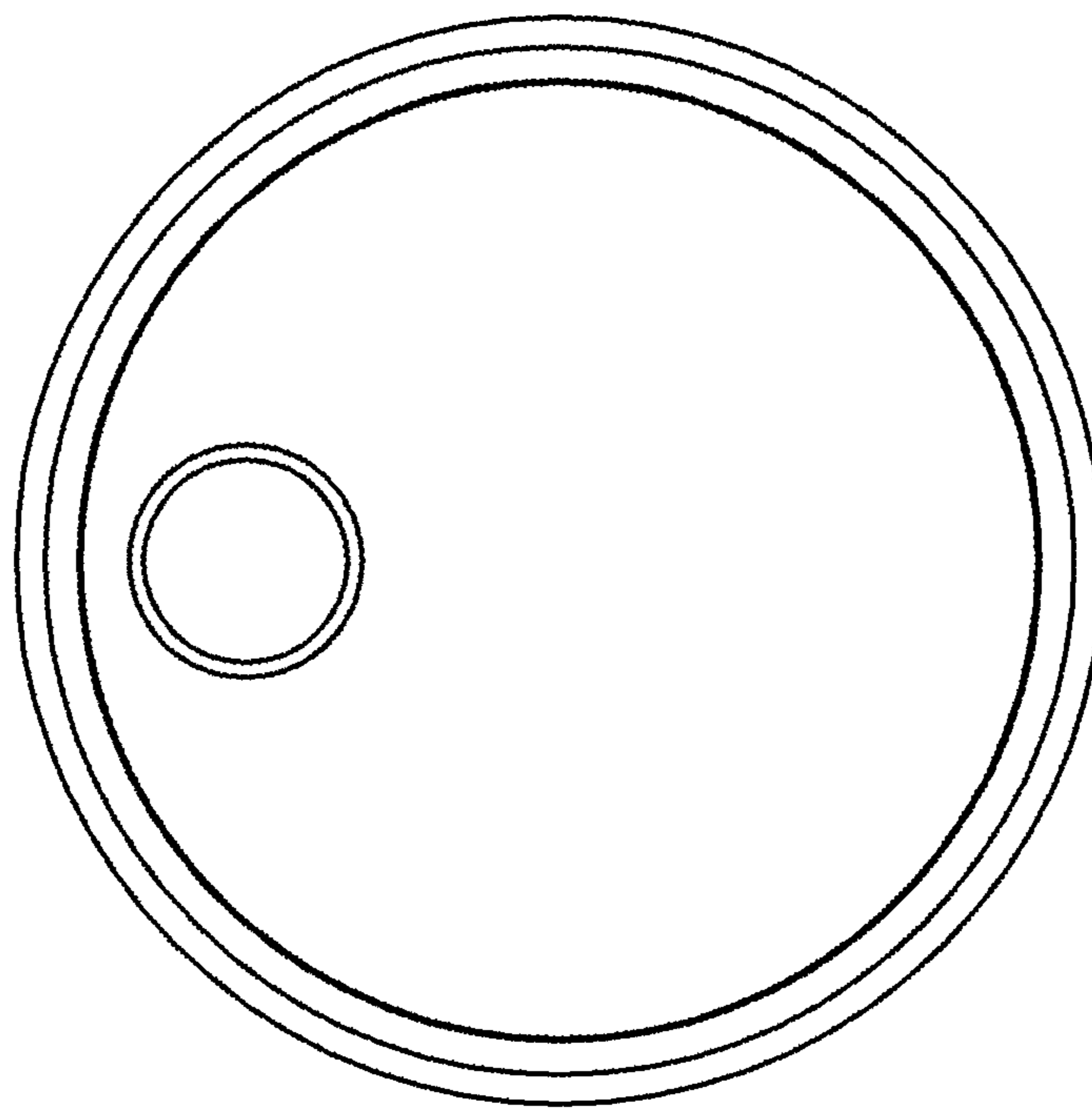


FIG. 7

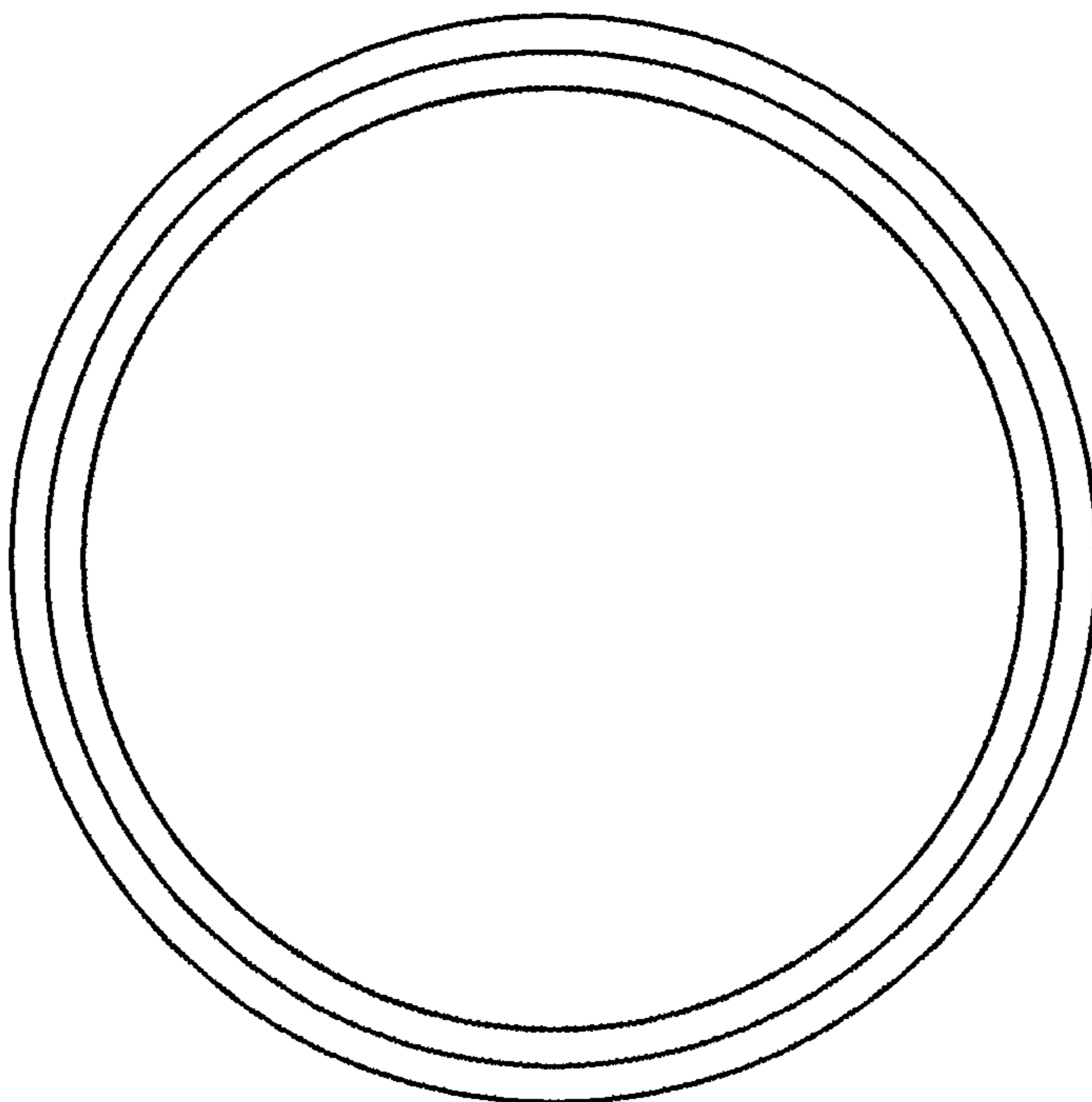


FIG. 8

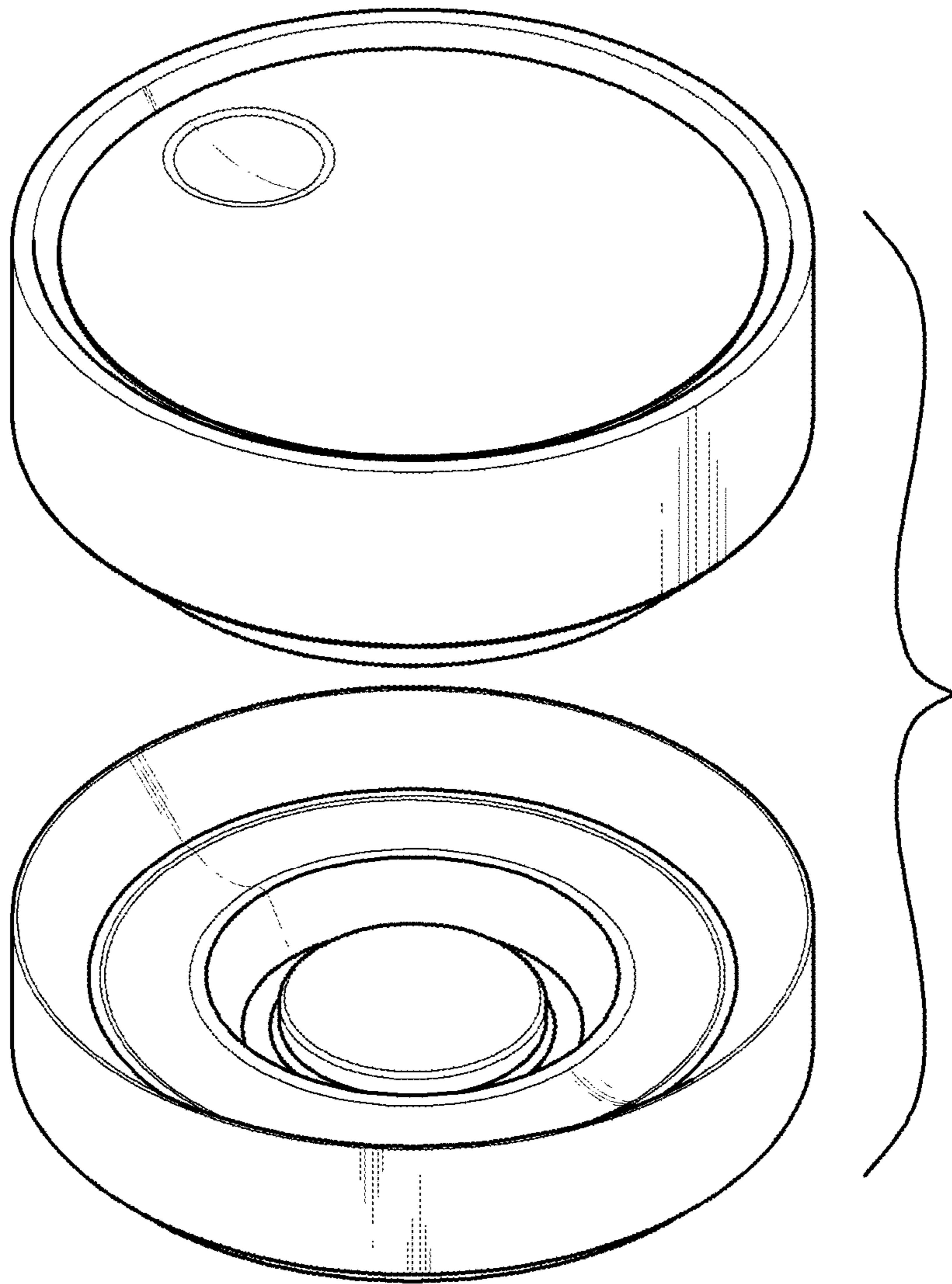


FIG. 9

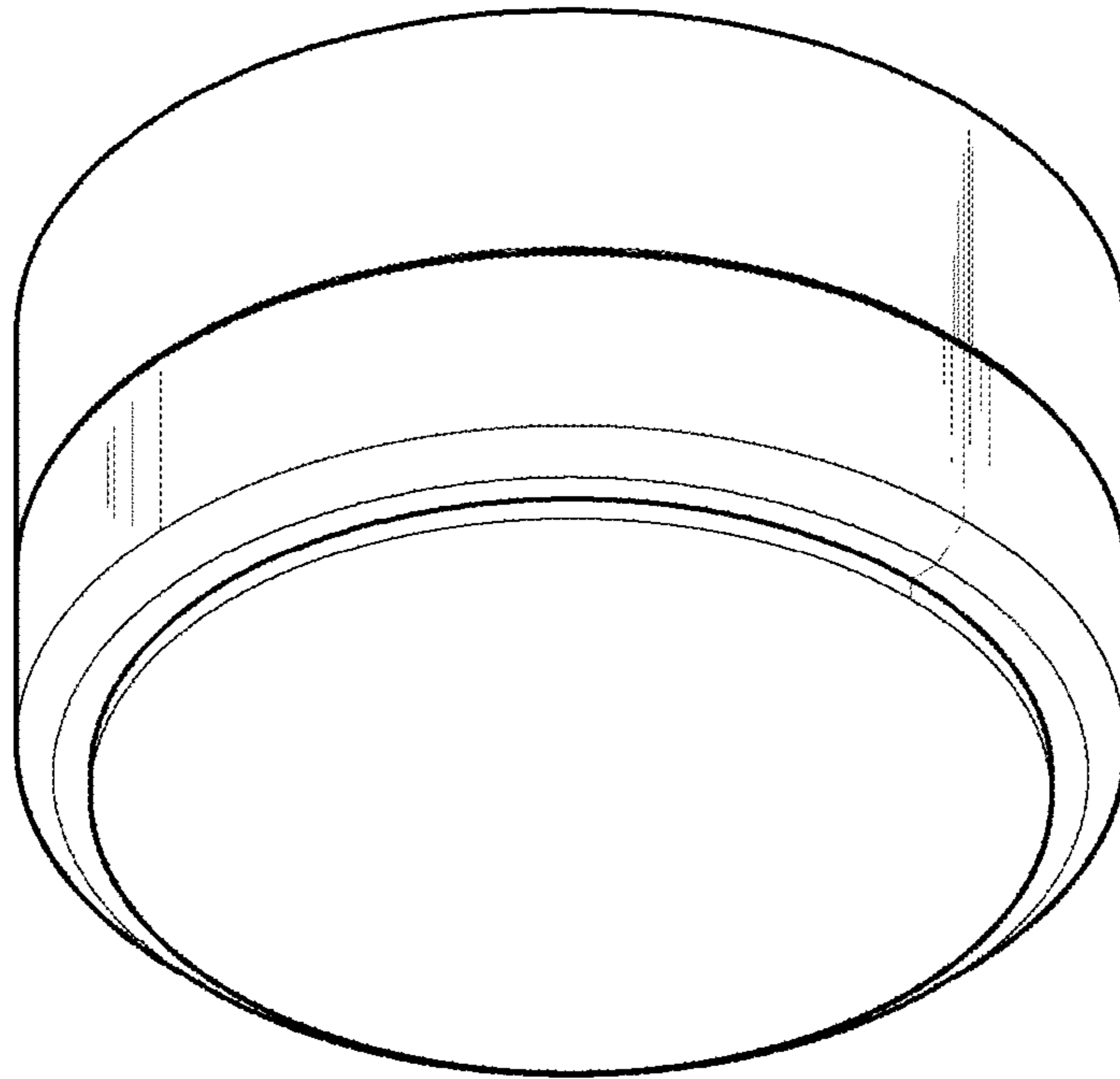


FIG. 10

