

US00D874630S

(12) **United States Design Patent** (10) **Patent No.:** **US D874,630 S**  
**Lee et al.** (45) **Date of Patent:** **\*\* Feb. 4, 2020**

(54) **DIFFUSER**  
(71) Applicant: **elago CO. LTD**, Goyang-si, Gyeonggi-do (KR)  
(72) Inventors: **Chan Woo Lee**, Goyang-si (KR); **Chong Min Kim**, Seoul (KR)  
(73) Assignee: **elago CO. LTD**, Goyang-si, Gyeonggi-Do (KR)  
(\*\*) Term: **15 Years**  
(21) Appl. No.: **29/668,345**  
(22) Filed: **Oct. 30, 2018**  
(51) **LOC (12) Cl.** ..... **23-04**  
(52) **U.S. Cl.**  
USPC ..... **D23/366**  
(58) **Field of Classification Search**  
USPC .... D23/208, 355-369; D14/209.1, 212-213; D8/1, 391  
CPC .... A61L 9/02; A61L 9/03; A61L 9/12; A61L 9/035; A61L 9/125; A61L 2209/15; A61L 2209/16  
See application file for complete search history.

(56) **References Cited**  
U.S. PATENT DOCUMENTS  
D323,383 S \* 1/1992 Keays ..... D23/366  
D366,113 S \* 1/1996 Morgan ..... D11/222  
D373,626 S \* 9/1996 Dente ..... D23/366  
D462,257 S \* 9/2002 Alexander ..... D8/391  
D491,257 S \* 6/2004 Picken, Jr. .... D23/366  
D518,606 S \* 4/2006 Cross ..... D21/718  
D584,970 S \* 1/2009 Eide ..... D10/57  
D586,672 S \* 2/2009 Sholley ..... A01M 1/2005  
D10/57  
D699,334 S \* 2/2014 Alesi ..... D23/366  
D803,377 S \* 11/2017 Gobber ..... D23/366  
D838,826 S \* 1/2019 Beychok ..... D23/366

2008/0245797 A1\* 10/2008 Berge ..... A01M 1/2005  
220/305  
2010/0314461 A1\* 12/2010 Gruenbacher ..... A61L 9/12  
239/6  
2017/0112955 A1\* 4/2017 Bourne ..... A61L 9/125

**OTHER PUBLICATIONS**

Proimprint.com, Custom Printed Car Vent Air Freshener, undated online product page, retrieved Jul. 25, 2019 from <URL:https://www.proimprint.com/Custom-Printed-Car-Vent-Air-Freshener> (Year: 2019).\*

\* cited by examiner

*Primary Examiner* — Sheryl Lane  
*Assistant Examiner* — Calvin E Vansant  
(74) *Attorney, Agent, or Firm* — Paratus Law Group, PLLC

(57) **CLAIM**

The ornamental design for a diffuser, as shown and described.

**DESCRIPTION**

FIG. 1 is a front, top and right perspective view of diffuser showing claimed design;  
FIG. 2 is a front view thereof;  
FIG. 3 is a back view thereof;  
FIG. 4 is a left side view thereof;  
FIG. 5 is a right side view thereof;  
FIG. 6 is a top view thereof;  
FIG. 7 is a bottom view thereof;  
FIG. 8 is a back, top and left perspective view thereof;  
FIG. 9 is a back, top and left perspective exploded view thereof; and,  
FIG. 10 a front, top and right perspective view thereof in use. The broken lines depict environment and form no part of the claimed design.

**1 Claim, 8 Drawing Sheets**

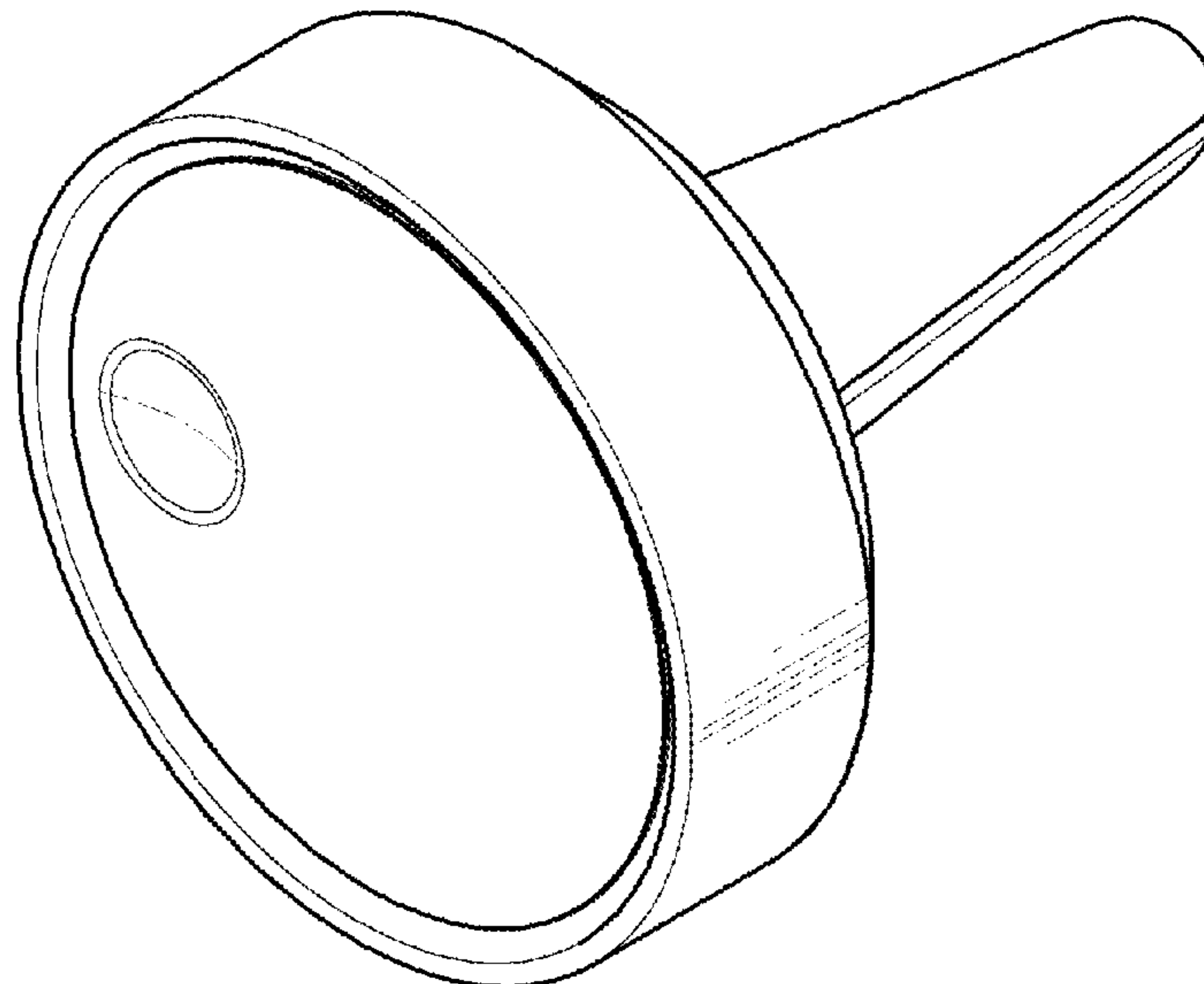


FIG. 1

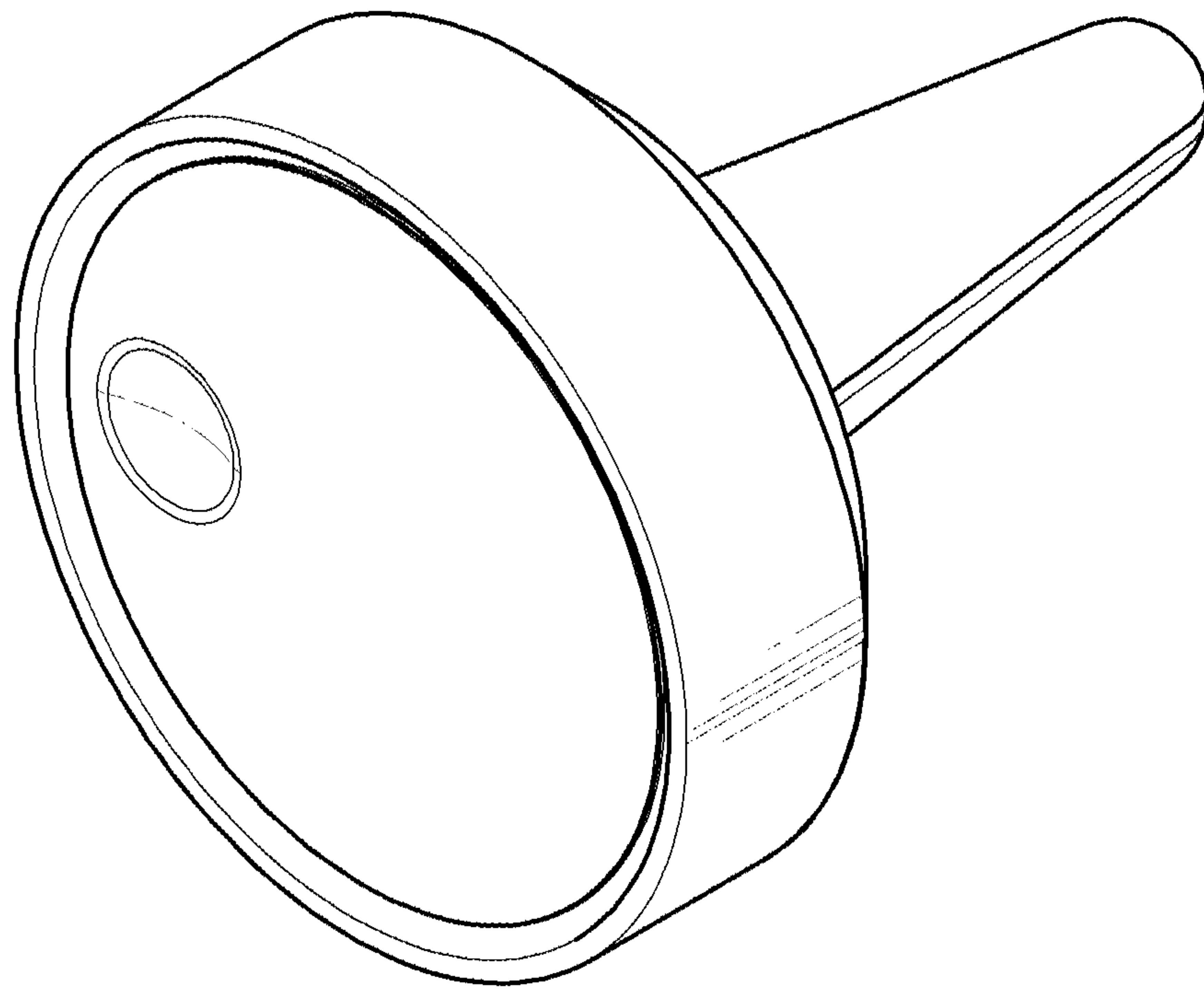


FIG. 2

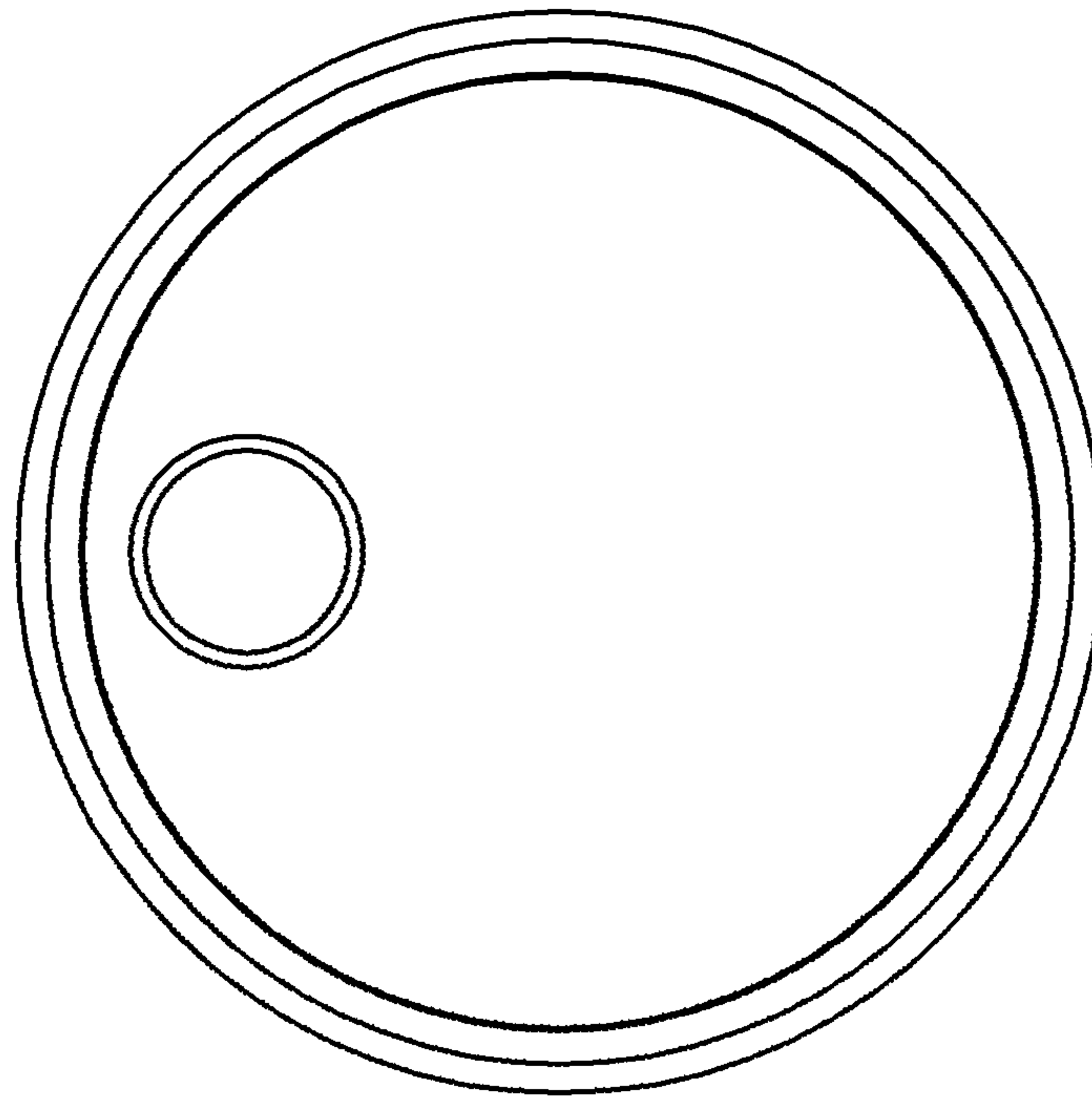


FIG. 3

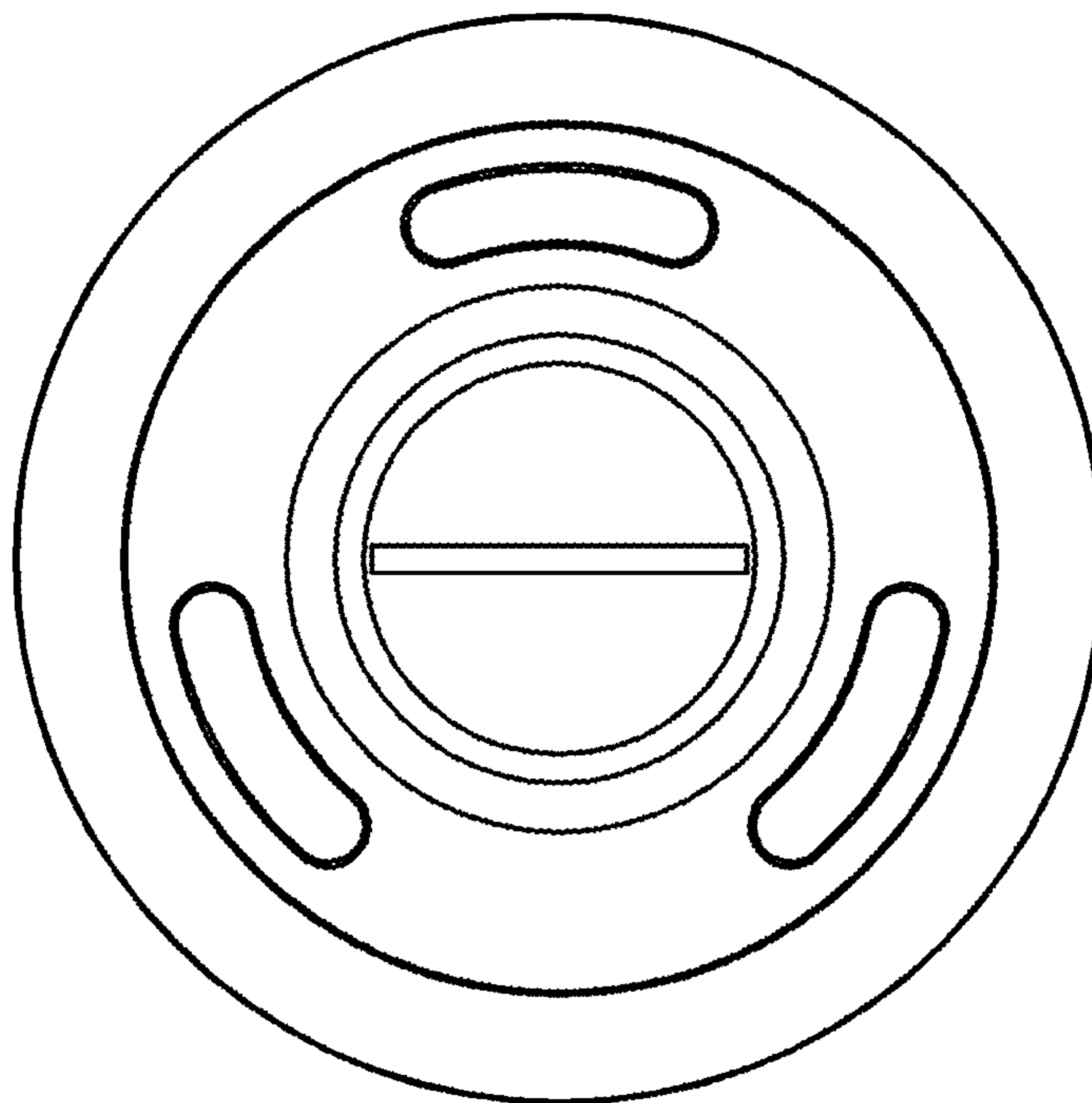


FIG. 4

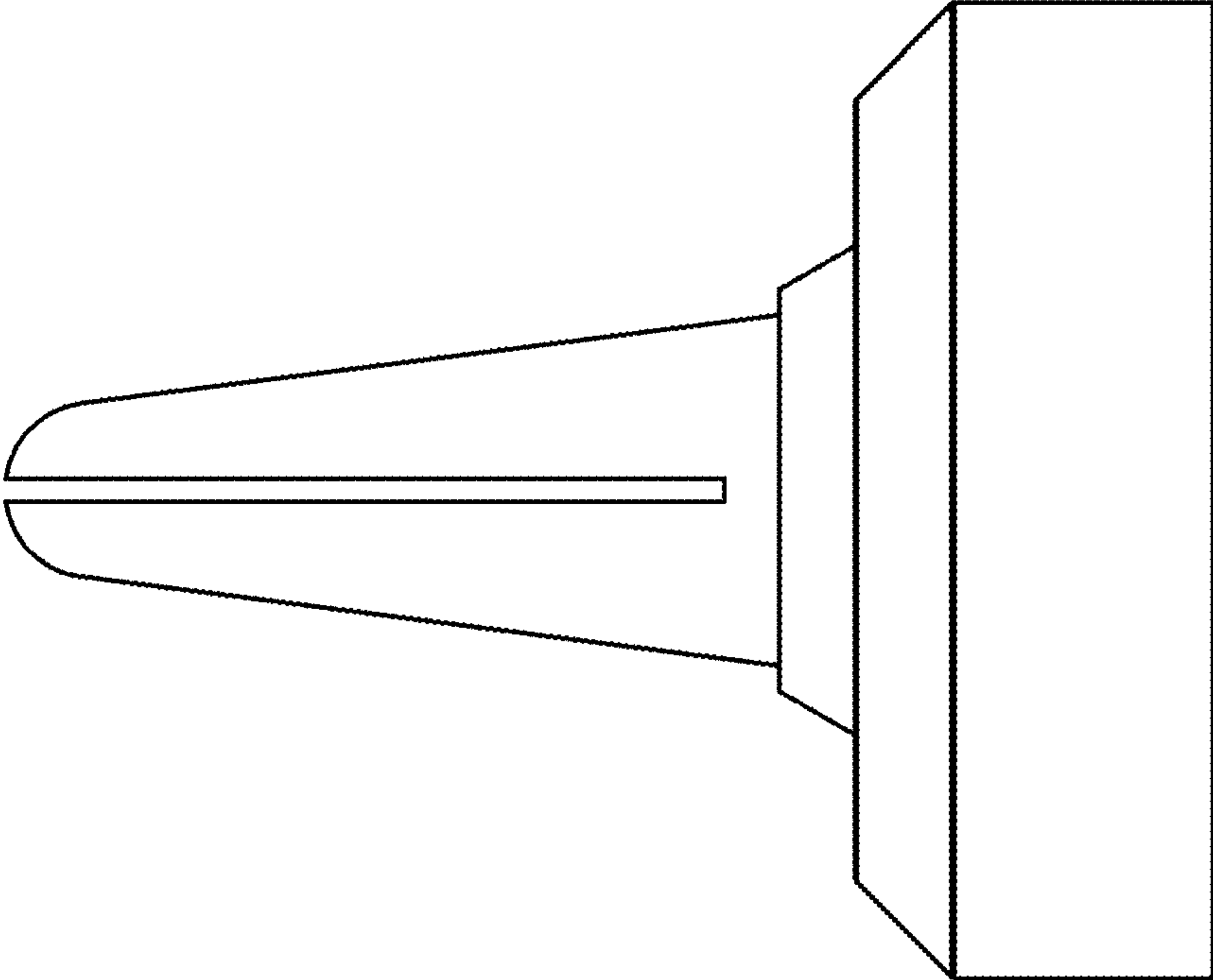


FIG. 5

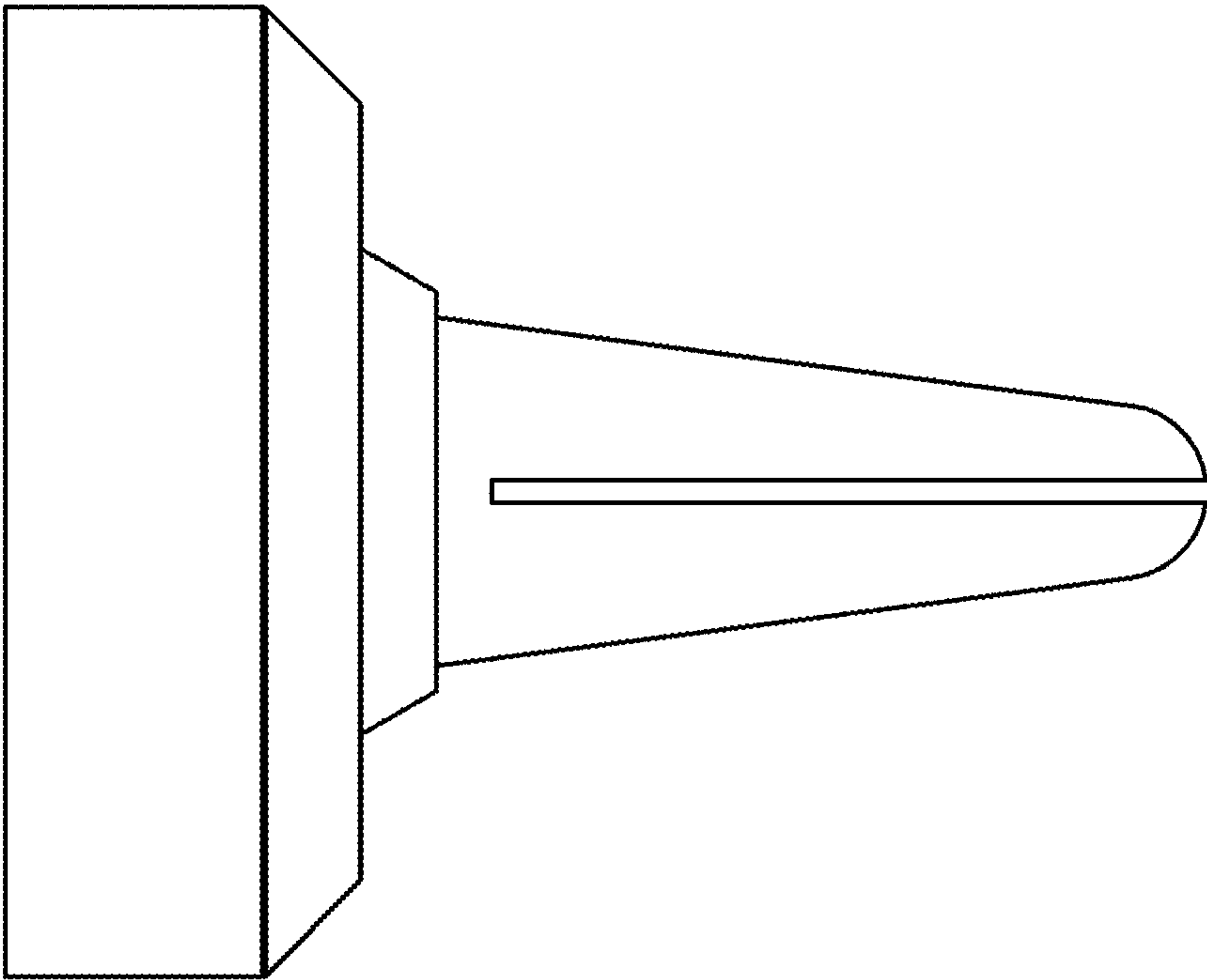


FIG. 6

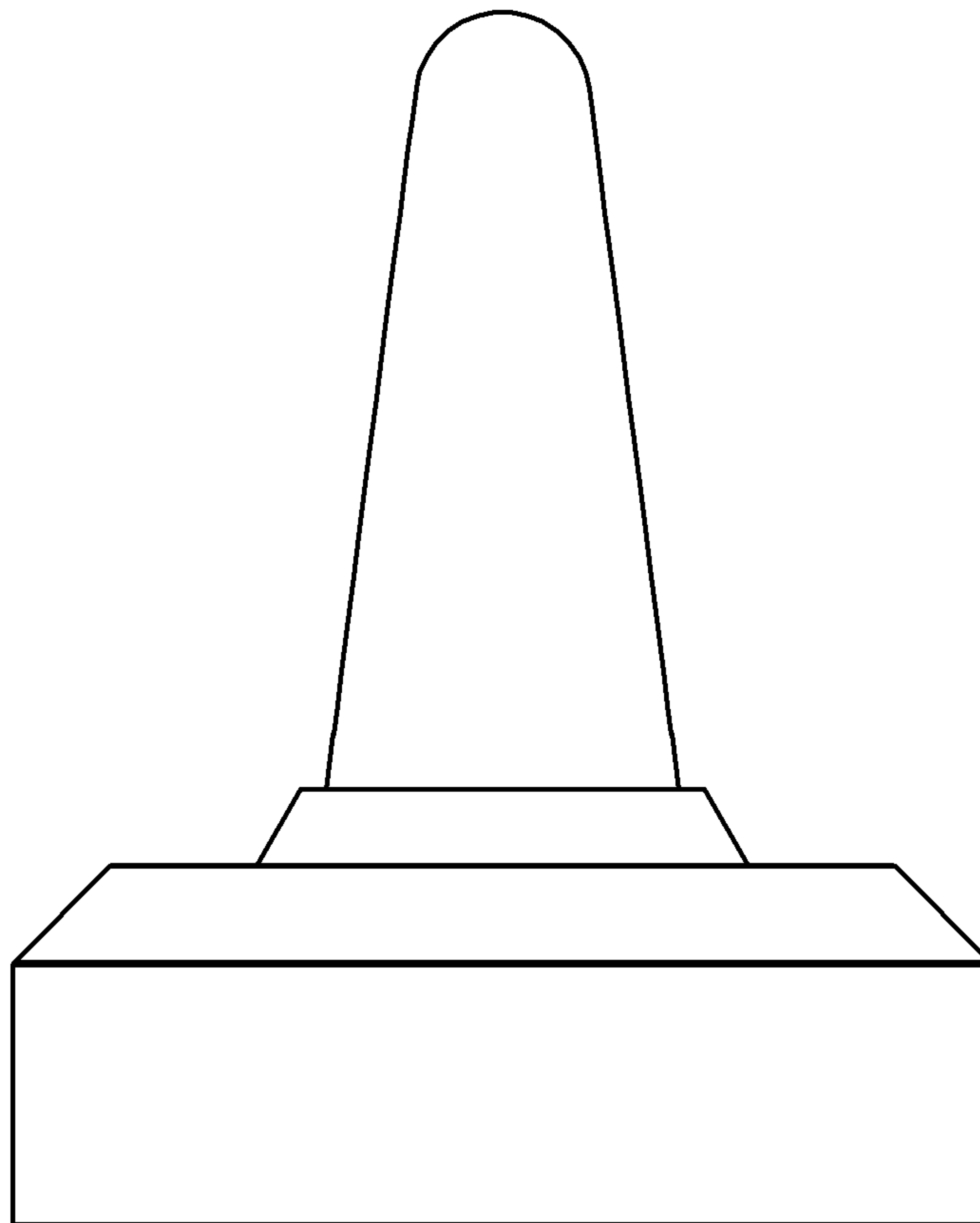


FIG. 7

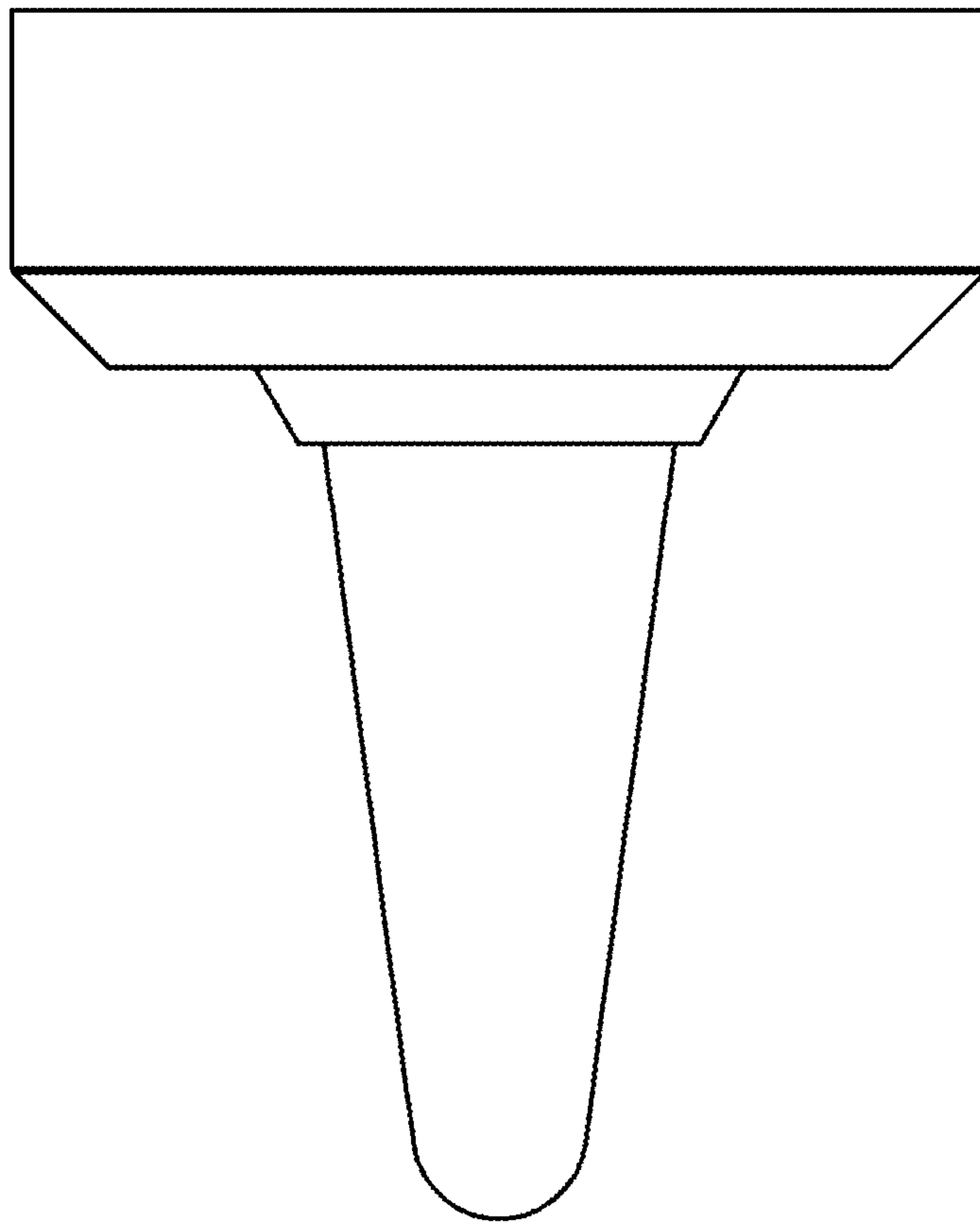


FIG. 8

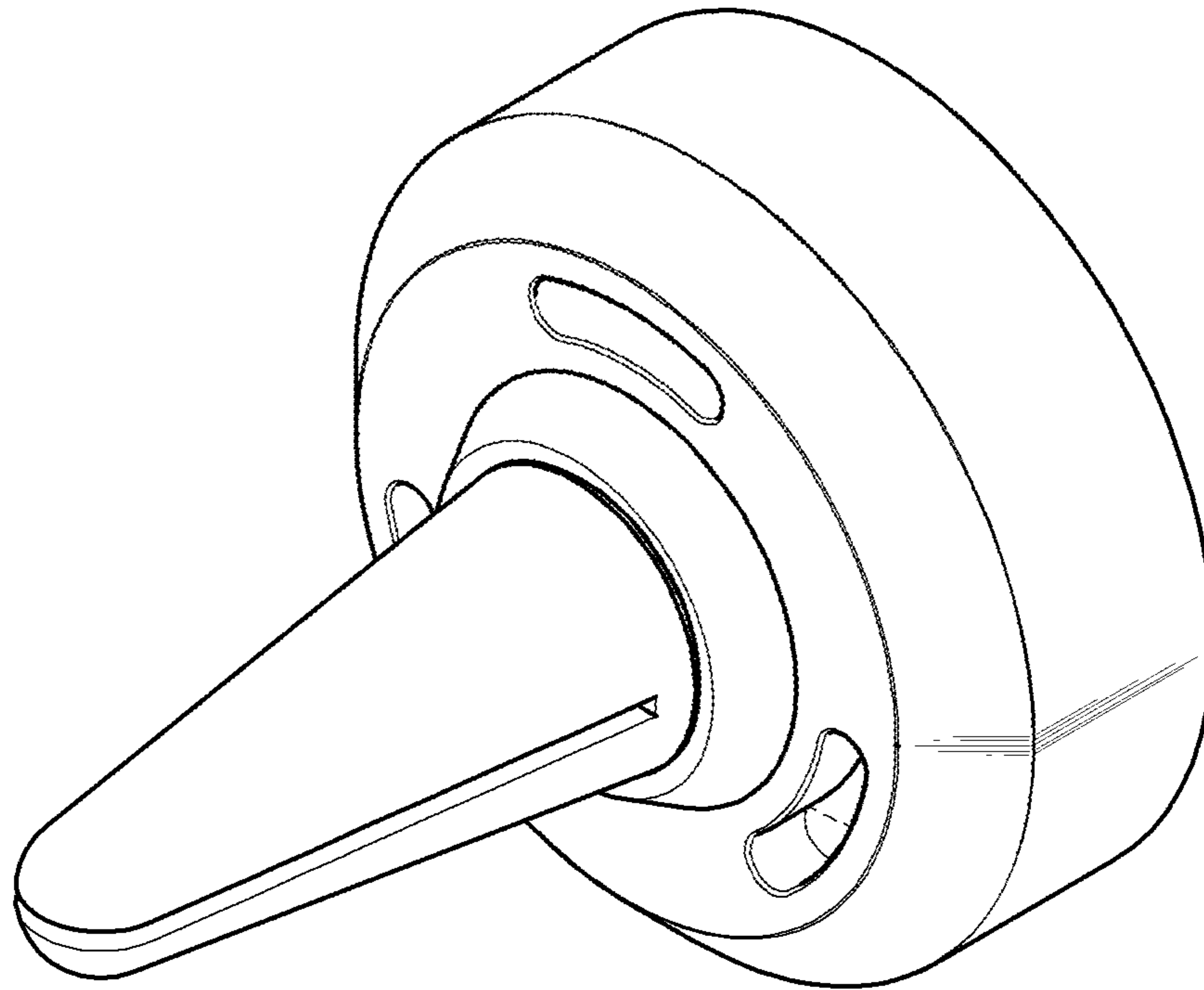




FIG. 9

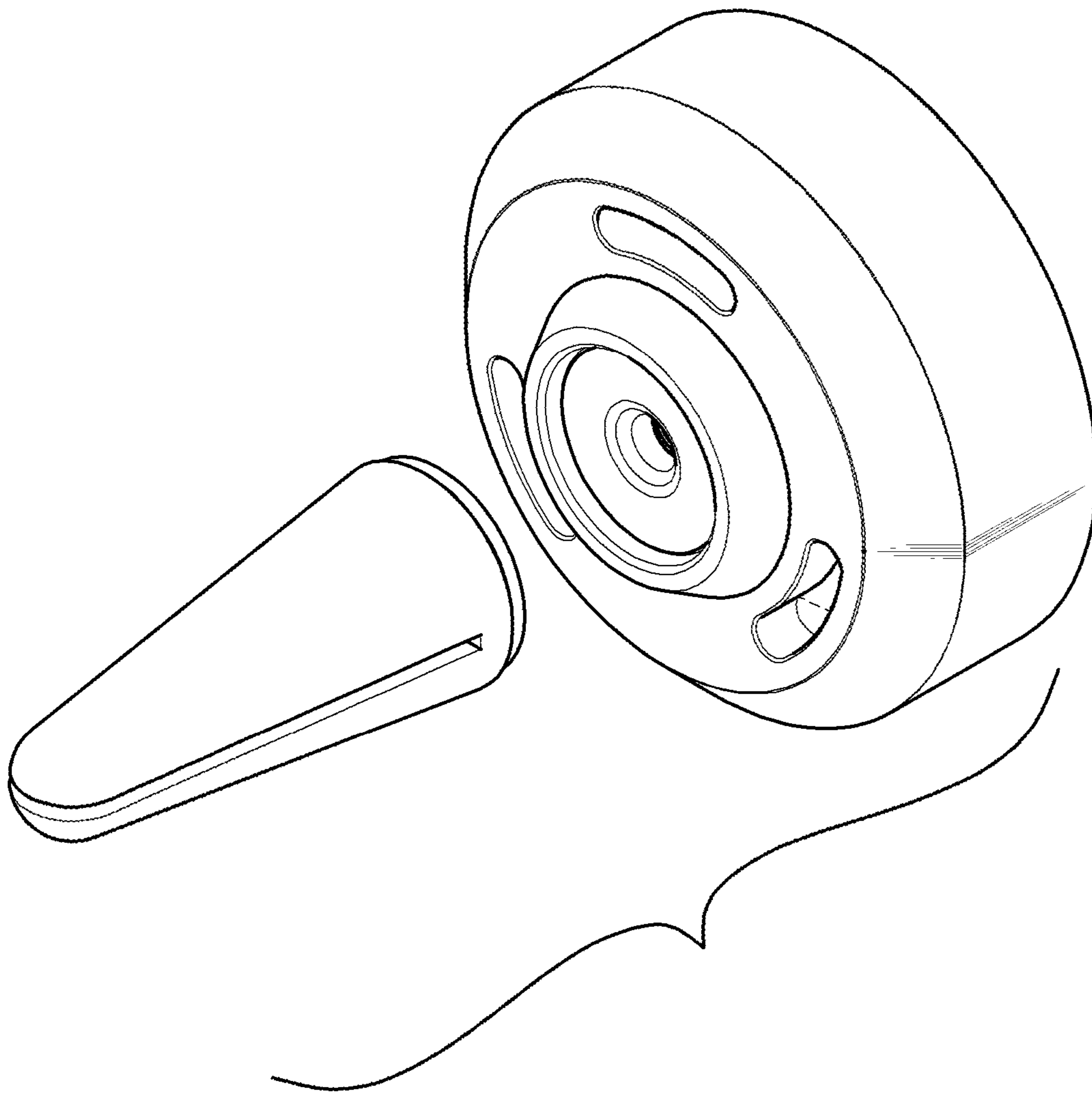




FIG. 10

