



US00D874629S

(12) **United States Design Patent** (10) **Patent No.:** **US D874,629 S**  
**Lee** (45) **Date of Patent:** **\*\* Feb. 4, 2020**

(54) **AROMA DIFFUSER**  
(71) Applicant: **Puzhen Life Co., Limited**, Hong Kong (HK)  
(72) Inventor: **Leander Lee**, Hong Kong (HK)  
(73) Assignee: **Puzhen Life Co., Limited**, Hong Kong (HK)  
(\*\*) Term: **15 Years**

D689,999 S \* 9/2013 Viala ..... D23/366  
D709,861 S \* 7/2014 Brunner ..... D14/216  
D734,679 S \* 7/2015 Liu ..... D10/53  
D734,741 S \* 7/2015 Brunner ..... D14/216  
D738,480 S \* 9/2015 Jacobs ..... D23/366  
D749,546 S \* 2/2016 Brunner ..... D14/216  
D755,161 S \* 5/2016 Brunner ..... D14/216  
D784,294 S \* 4/2017 Fields ..... D14/217  
D797,703 S \* 9/2017 Boyd ..... D14/216  
D842,275 S \* 3/2019 Brunner ..... D14/216  
D842,276 S \* 3/2019 Brunner ..... D14/219  
D857,660 S \* 8/2019 Boyd ..... D14/216

\* cited by examiner

(21) Appl. No.: **29/643,269**  
(22) Filed: **Apr. 6, 2018**

*Primary Examiner* — Sheryl Lane  
*Assistant Examiner* — Calvin E Vansant

(30) **Foreign Application Priority Data**  
Oct. 25, 2017 (HK) ..... 1702093  
(51) **LOC (12) Cl.** ..... **23-04**  
(52) **U.S. Cl.**  
USPC ..... **D23/366**  
(58) **Field of Classification Search**  
USPC ..... D23/208, 355–369; D14/209.1, 212–213  
CPC ..... A61L 9/02; A61L 9/03; A61L 9/12; A61L  
9/035; A61L 9/125  
See application file for complete search history.

(57) **CLAIM**

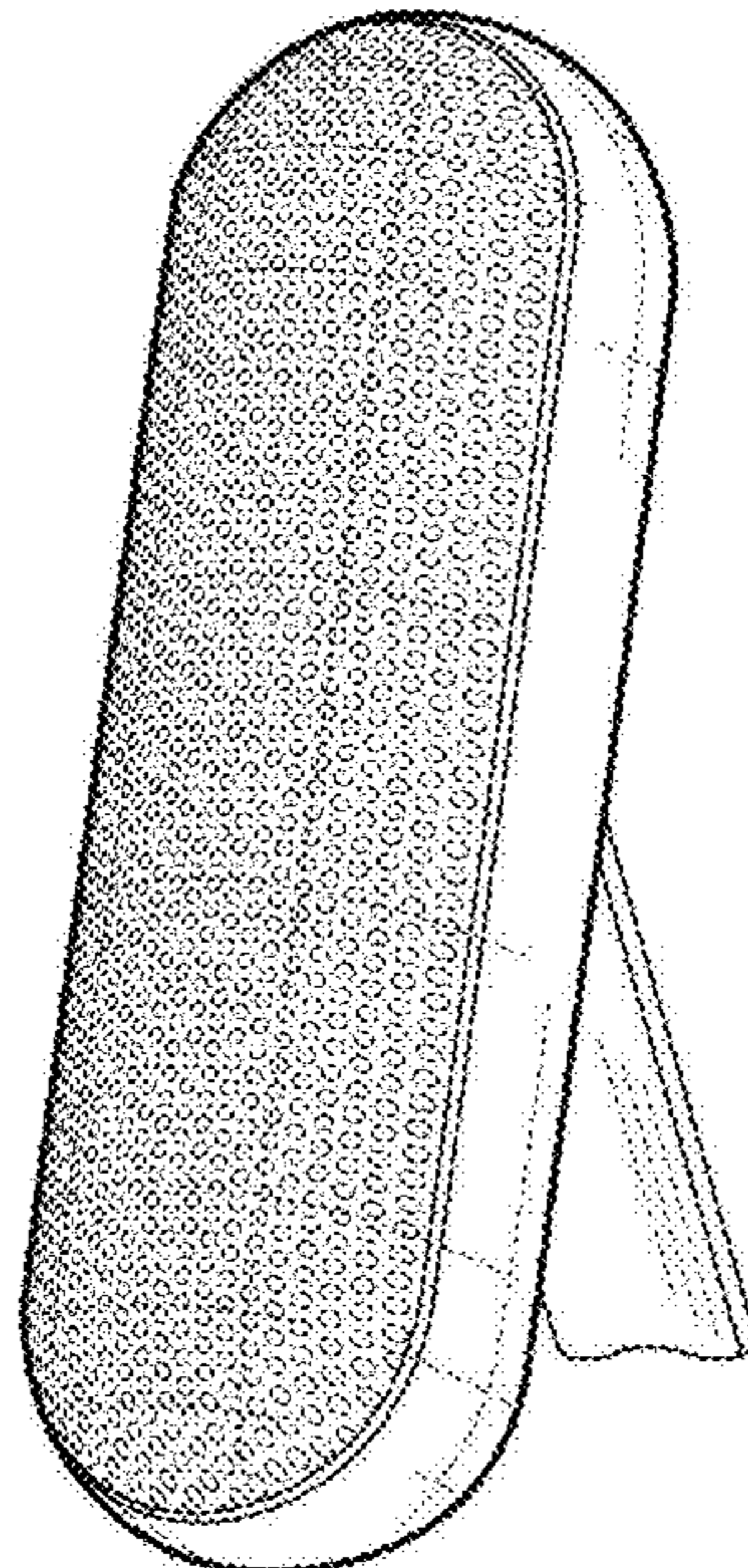
The ornamental design for an aroma diffuser, as shown and described.

**DESCRIPTION**

FIG. 1 is a front elevational view of an aroma diffuser showing my new design;  
FIG. 2 is a rear elevational view thereof;  
FIG. 3 is a left side view thereof;  
FIG. 4 is a right side view thereof;  
FIG. 5 is a top plan view thereof;  
FIG. 6 is a bottom plan view thereof;  
FIG. 7 is a front perspective view thereof;  
FIG. 8 is a rear perspective view thereof;  
FIG. 9 is a left side view thereof, showing the stand in an open position;  
FIG. 10 is a right side view of FIG. 9;  
FIG. 11 is a front perspective view of FIG. 9; and,  
FIG. 12 is a rear perspective view of FIG. 9.  
The broken lines in the drawings illustrate portions of the aroma diffuser which form no part of the claimed design.

(56) **References Cited**  
U.S. PATENT DOCUMENTS  
D364,450 S \* 11/1995 Kearnes ..... D23/366  
D561,320 S \* 2/2008 Chen ..... D23/366  
D611,583 S \* 3/2010 Jorgensen ..... D23/366  
D616,420 S \* 5/2010 Morimoto ..... D14/216  
D642,159 S \* 7/2011 Joseph ..... D14/215  
8,265,465 B2 \* 9/2012 Jorgensen ..... A61L 9/03  
392/386  
D687,016 S \* 7/2013 Brunner ..... D14/216  
D689,845 S \* 9/2013 Nylén ..... D14/215

**1 Claim, 12 Drawing Sheets**



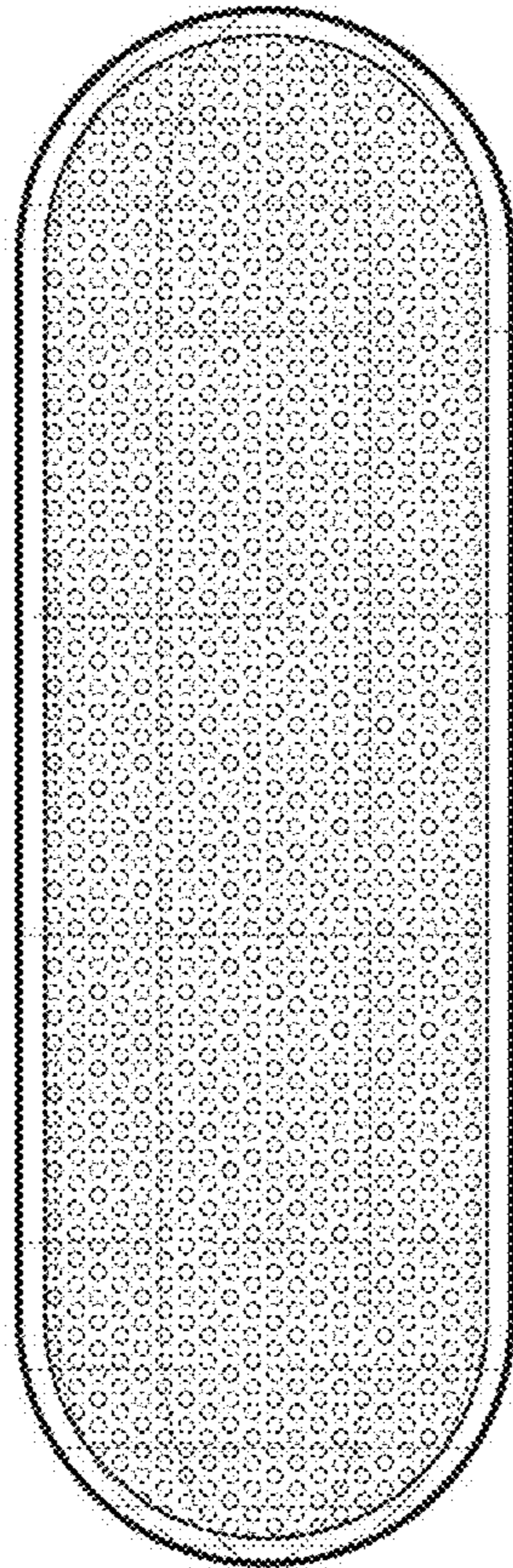


Fig. 1

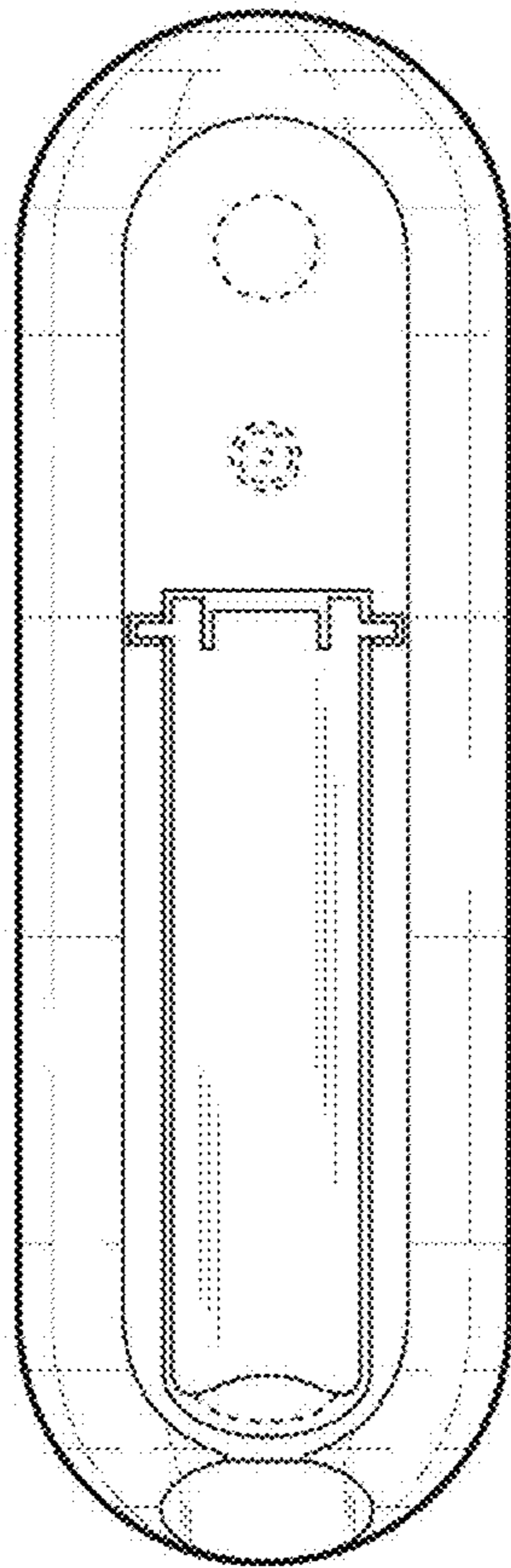


Fig. 2

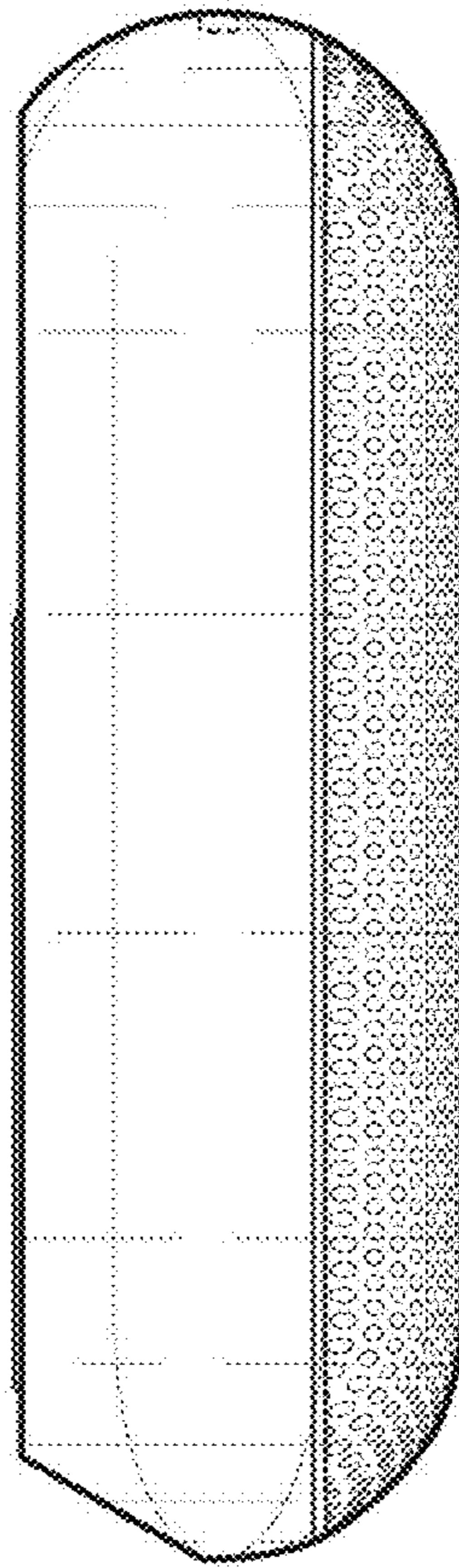


Fig. 3



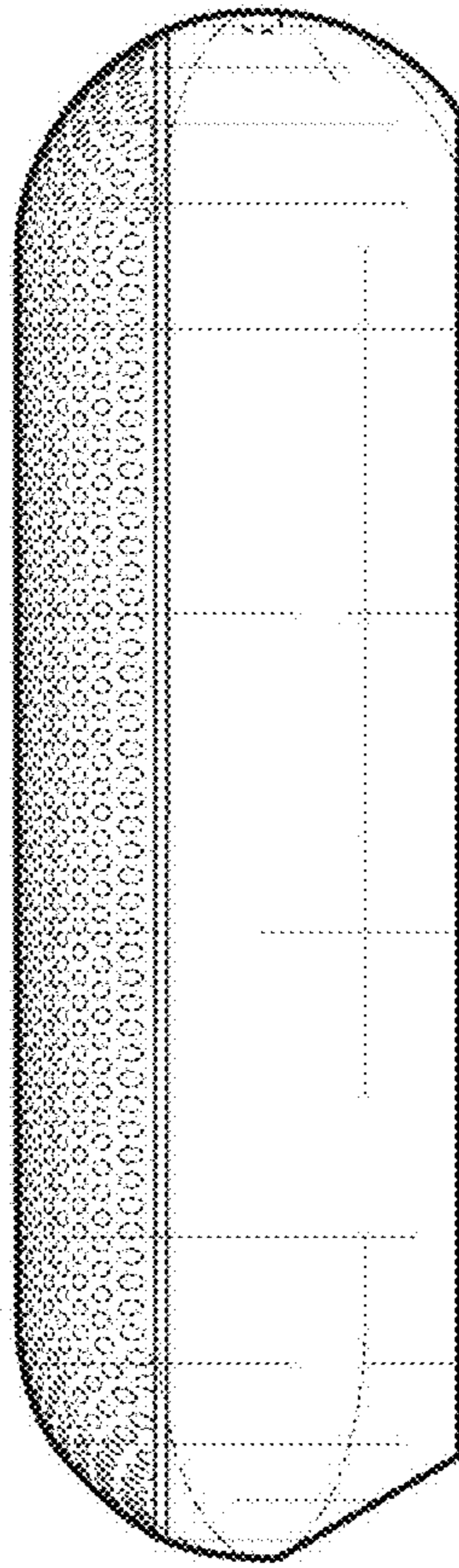


Fig. 4

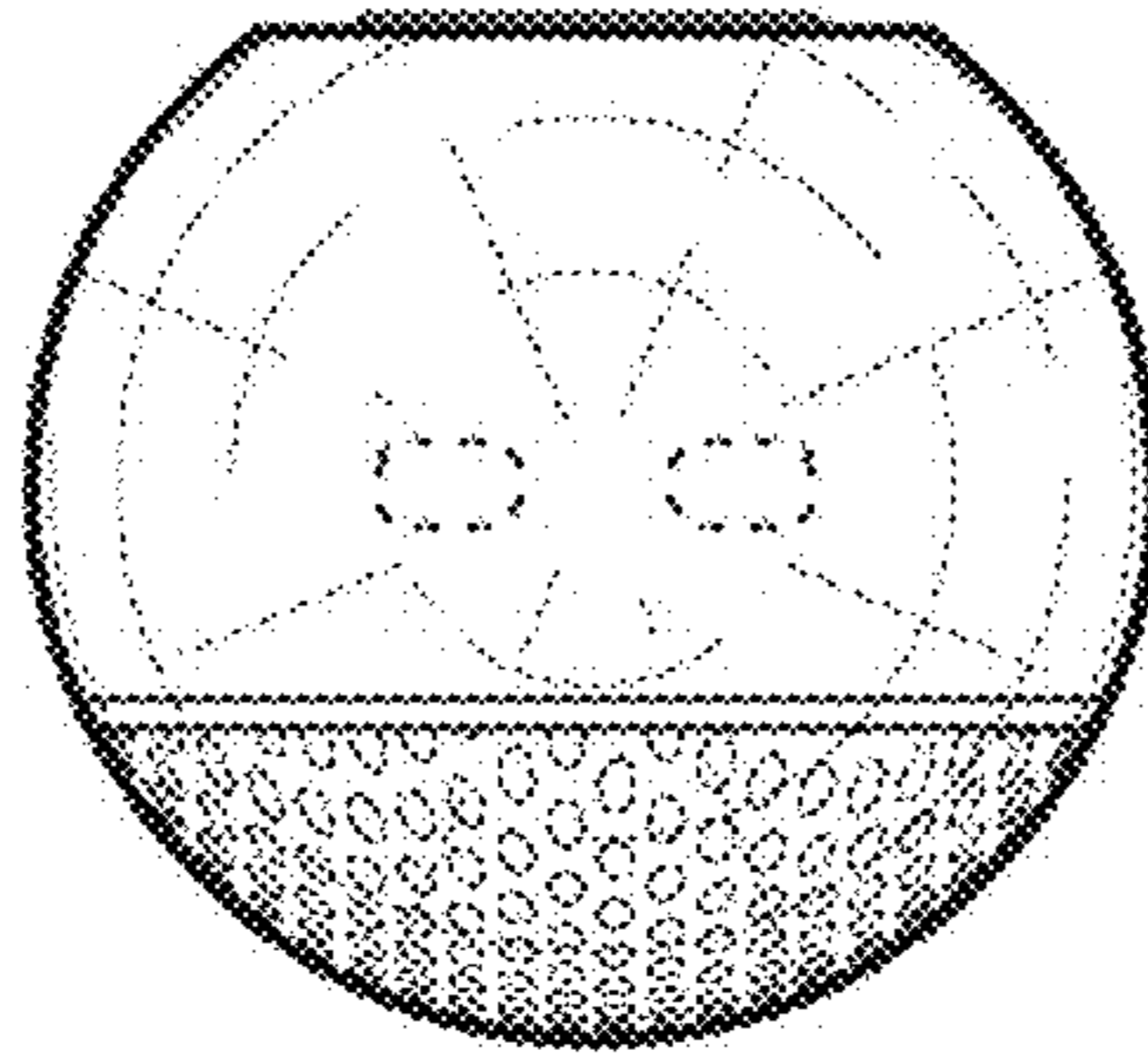


Fig. 5

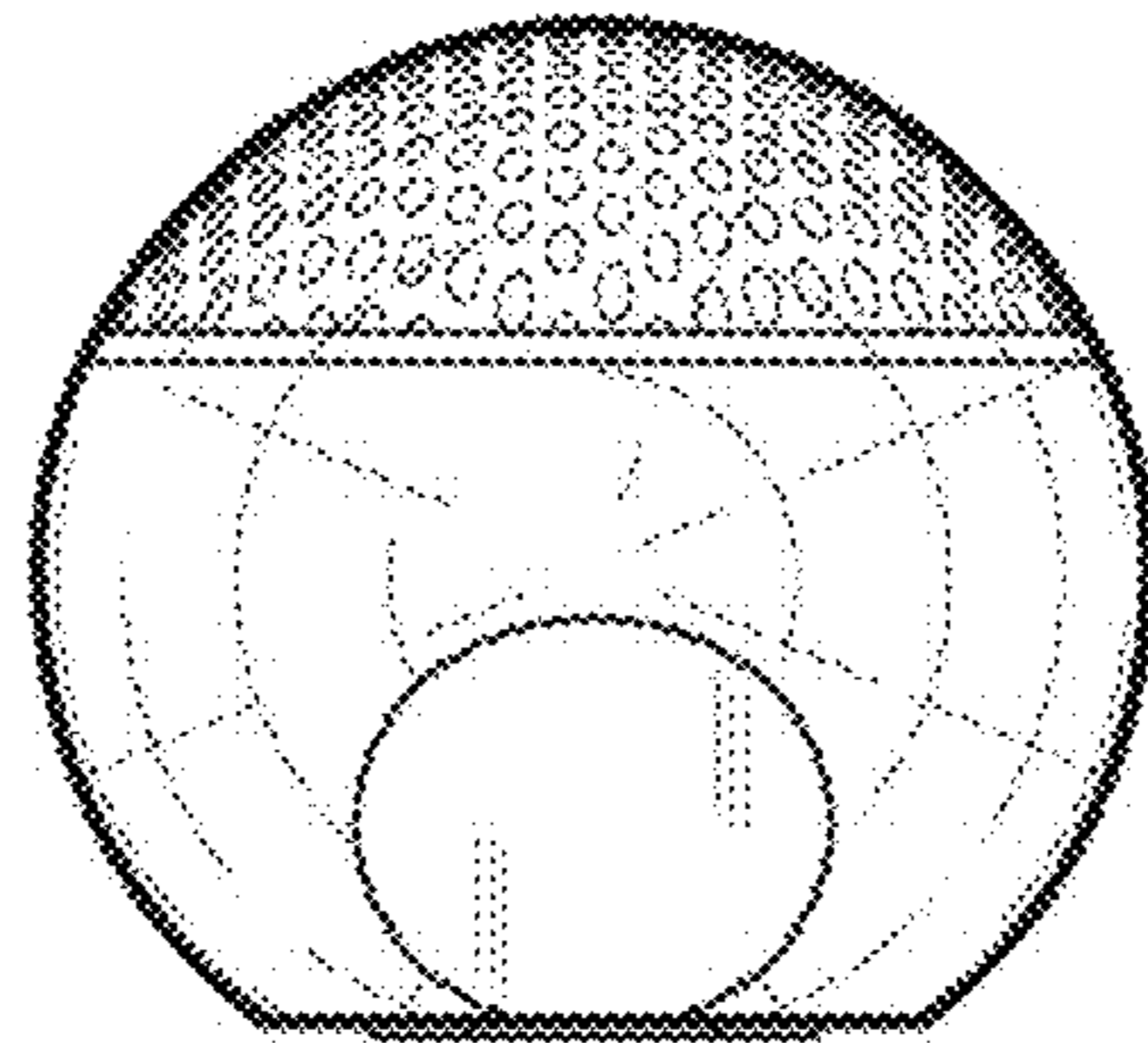


Fig. 6

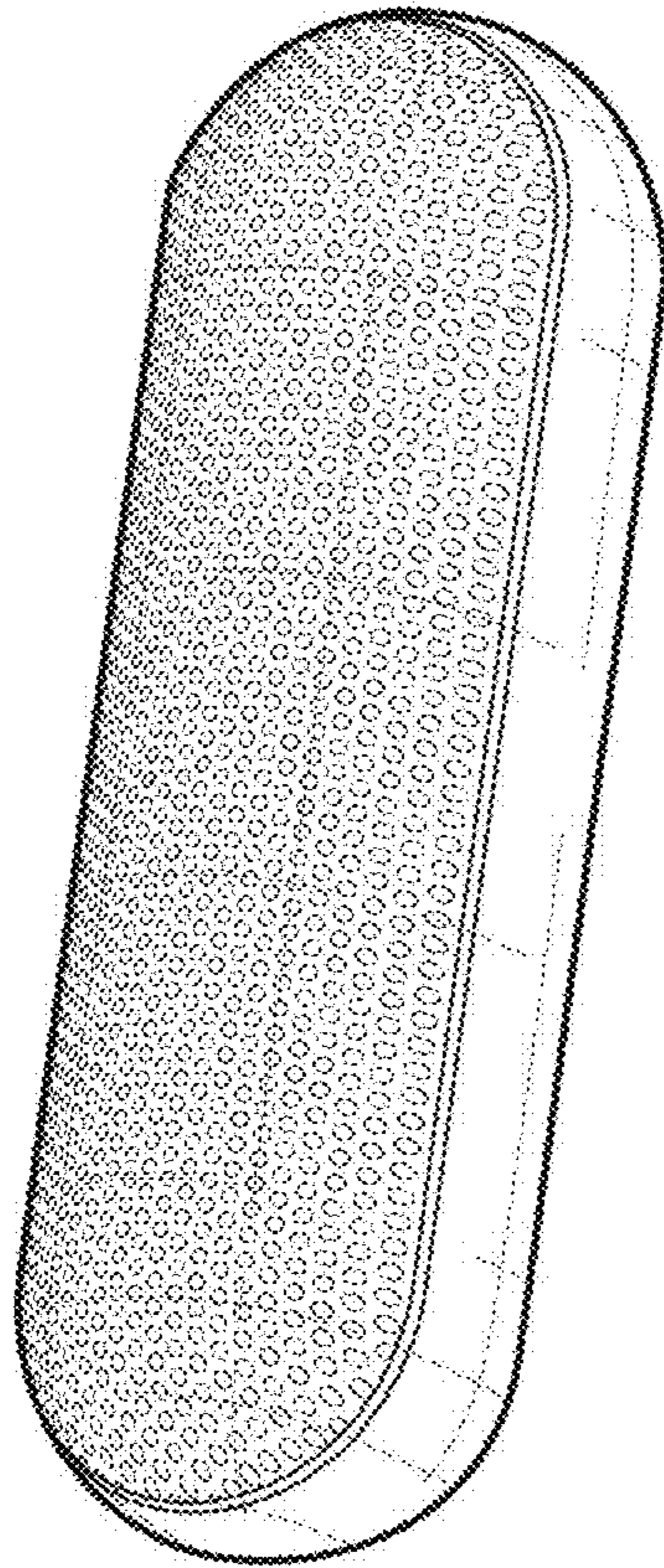


Fig. 7



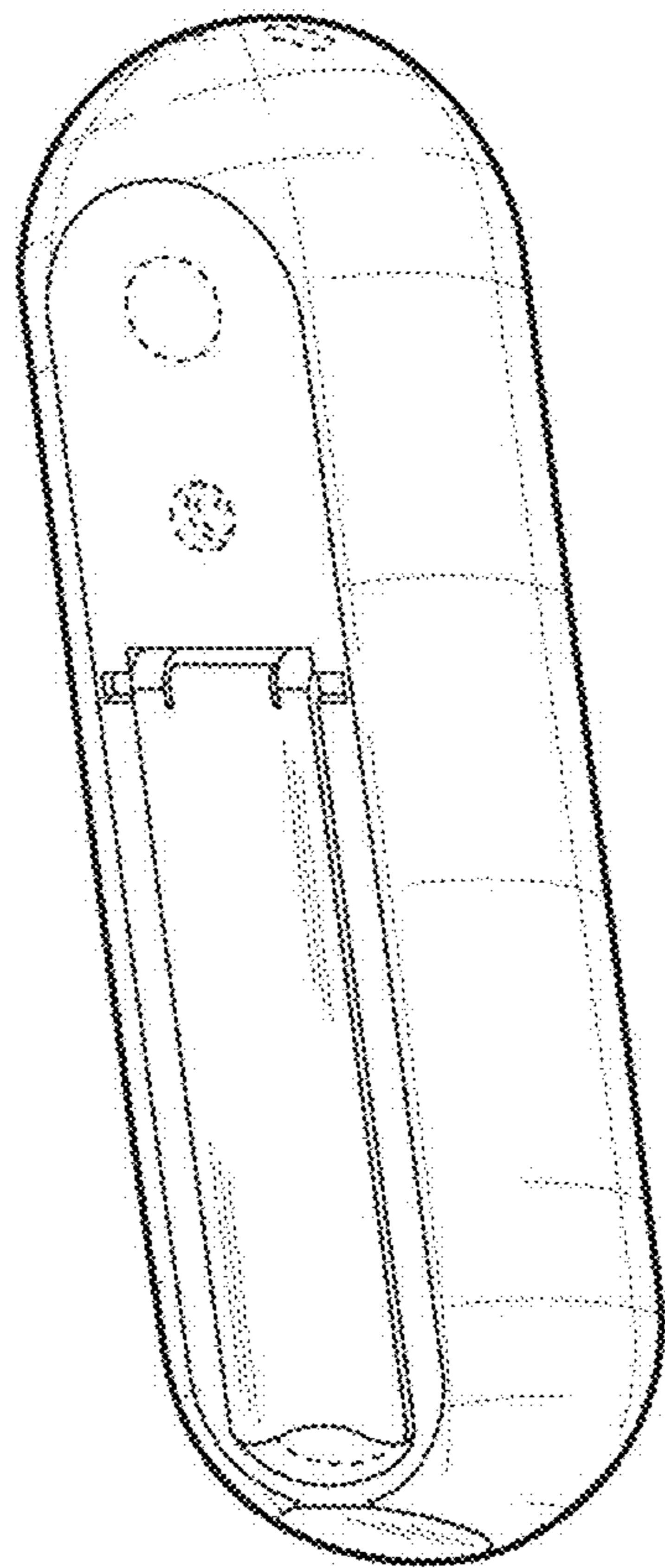


Fig. 8

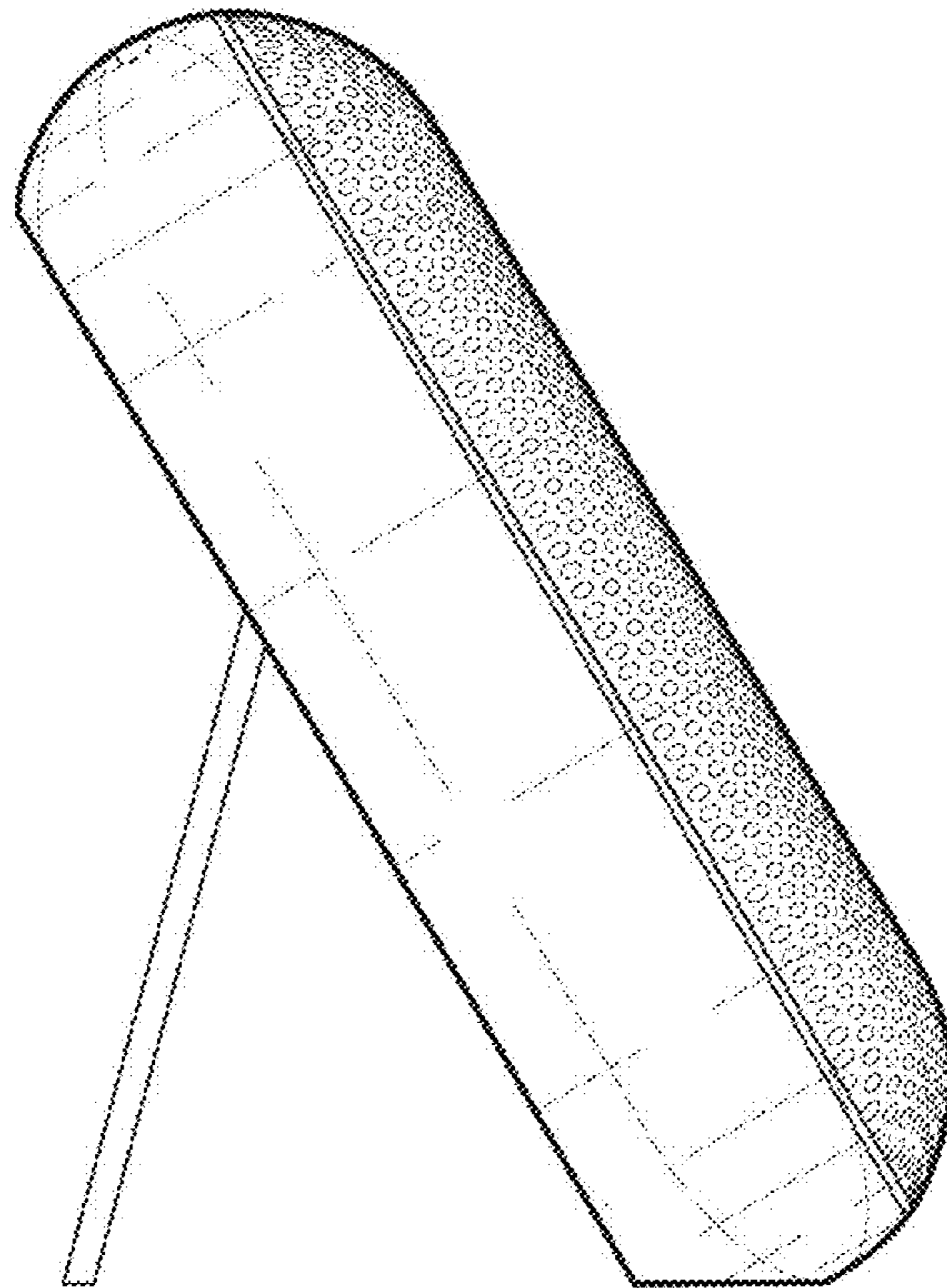


Fig. 9

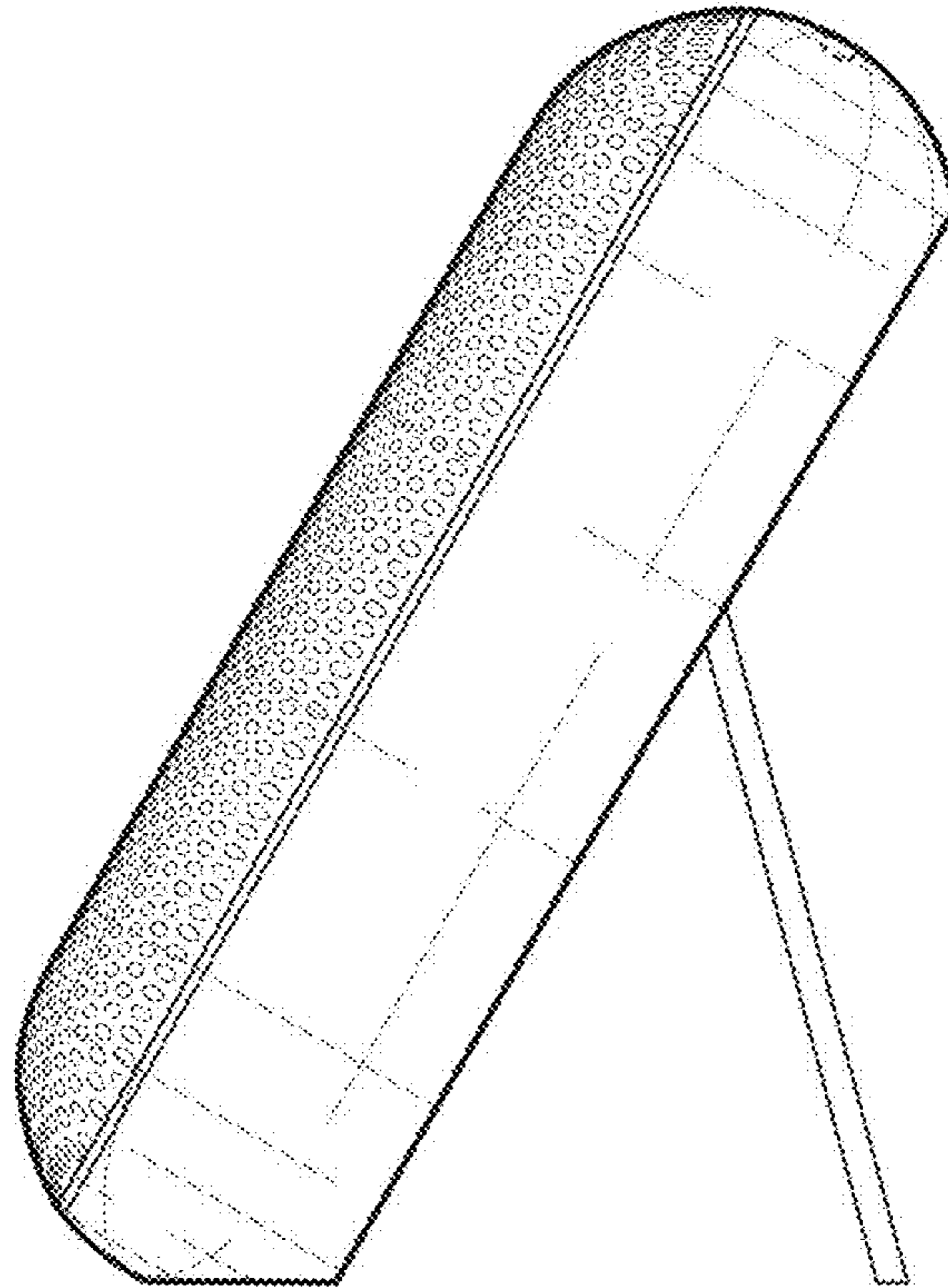


Fig. 10

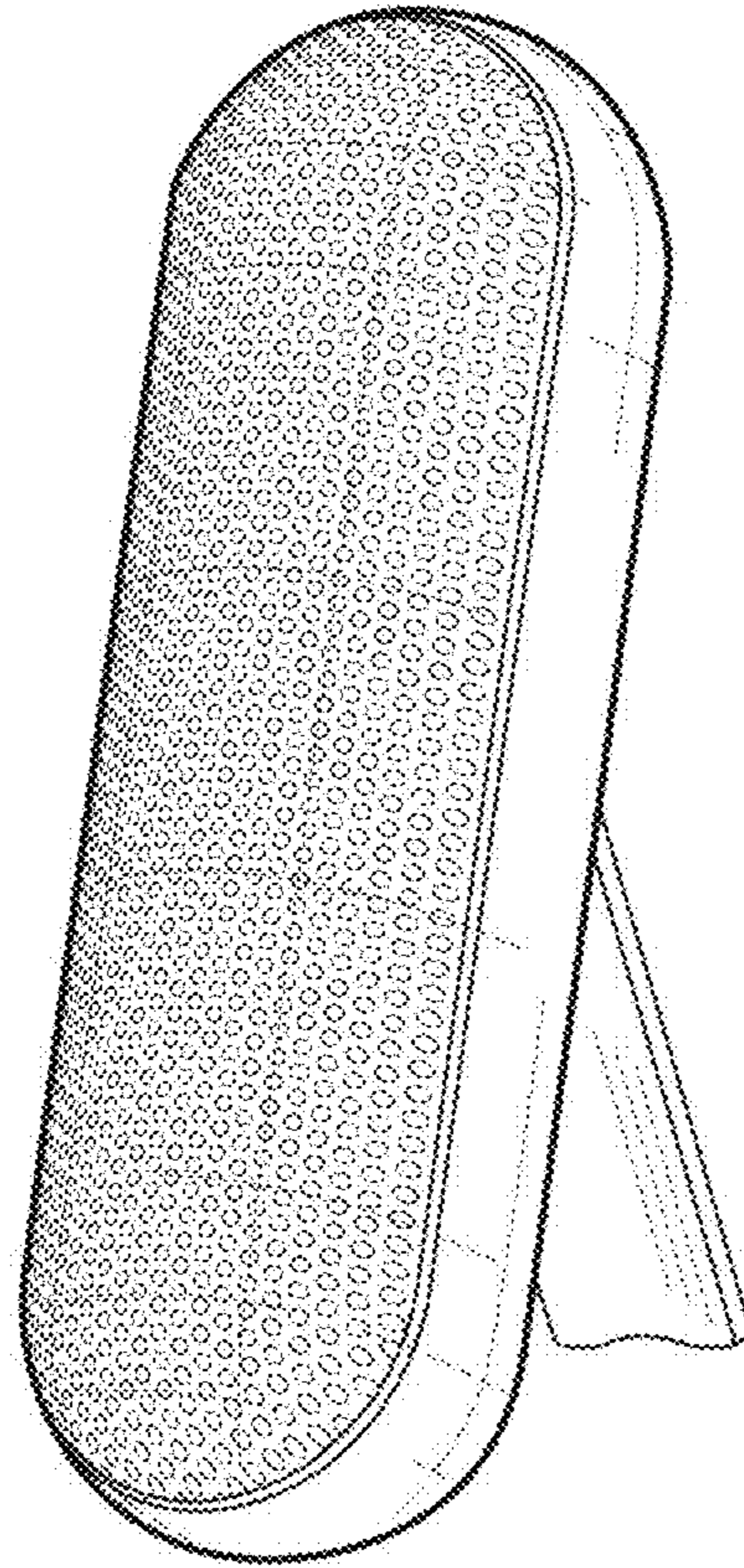


Fig. 11

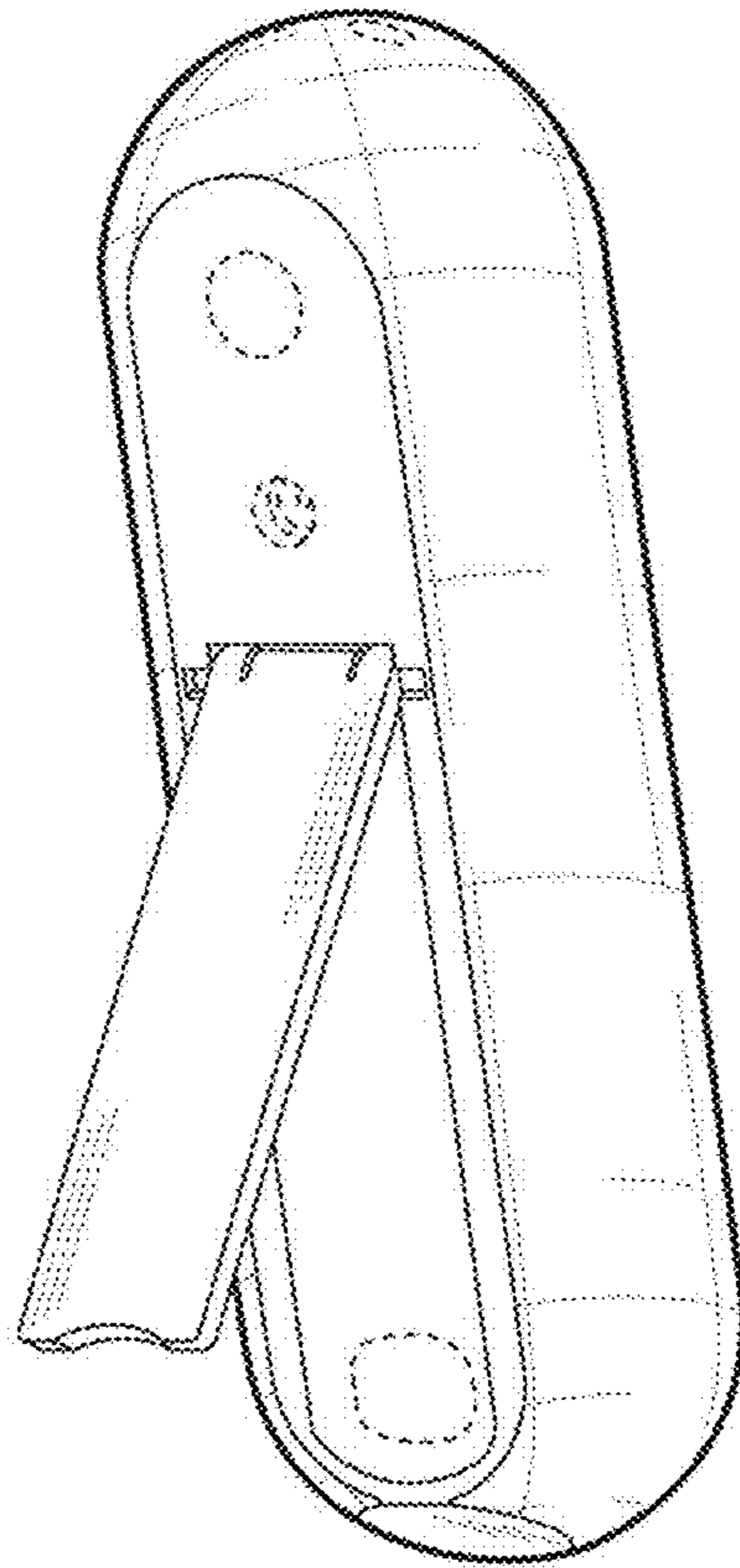


Fig. 12