



US00D874627S

(12) **United States Design Patent** (10) **Patent No.:** **US D874,627 S**
Nykowski et al. (45) **Date of Patent:** **** Feb. 4, 2020**

(54) **AIR TREATMENT DEVICE**
(71) Applicant: **Reckitt & Colman (Overseas) Limited**, Slough, Berkshire (GB)
(72) Inventors: **Pawel Zygmunt Nykowski**, Nowy Dwor Mazowiecki (PL); **Andrzej Olszewski**, Nowy Dwor Mazowiecki (PL)
(73) Assignee: **RECKITT & COLMAN (OVERSEAS) HYGIENE HOME LIMITED**, Slough, Berkshire (GB)
(**) Term: **15 Years**
(21) Appl. No.: **29/658,863**
(22) Filed: **Aug. 3, 2018**

(30) **Foreign Application Priority Data**
Feb. 12, 2018 (EP) 004706307-0001
(51) **LOC (12) Cl.** **23-04**
(52) **U.S. Cl.**
USPC **D23/364**
(58) **Field of Classification Search**
USPC D23/355-366, 352, 369, 332, 333, 335, D23/336, 342, 351; 422/120, 122; 55/356, 473, 504; 96/971; 261/DIG. 17, 261/DIG. 65, DIG. 88, DIG. 31
CPC .. A61L 9/16; A61L 9/22; B01D 47/00; B01D 47/027; B01D 2221/02; B01D 2259/4508; B03C 3/155; B03C 3/368; F24F 3/16; F24F 13/20; F24F 13/28
See application file for complete search history.

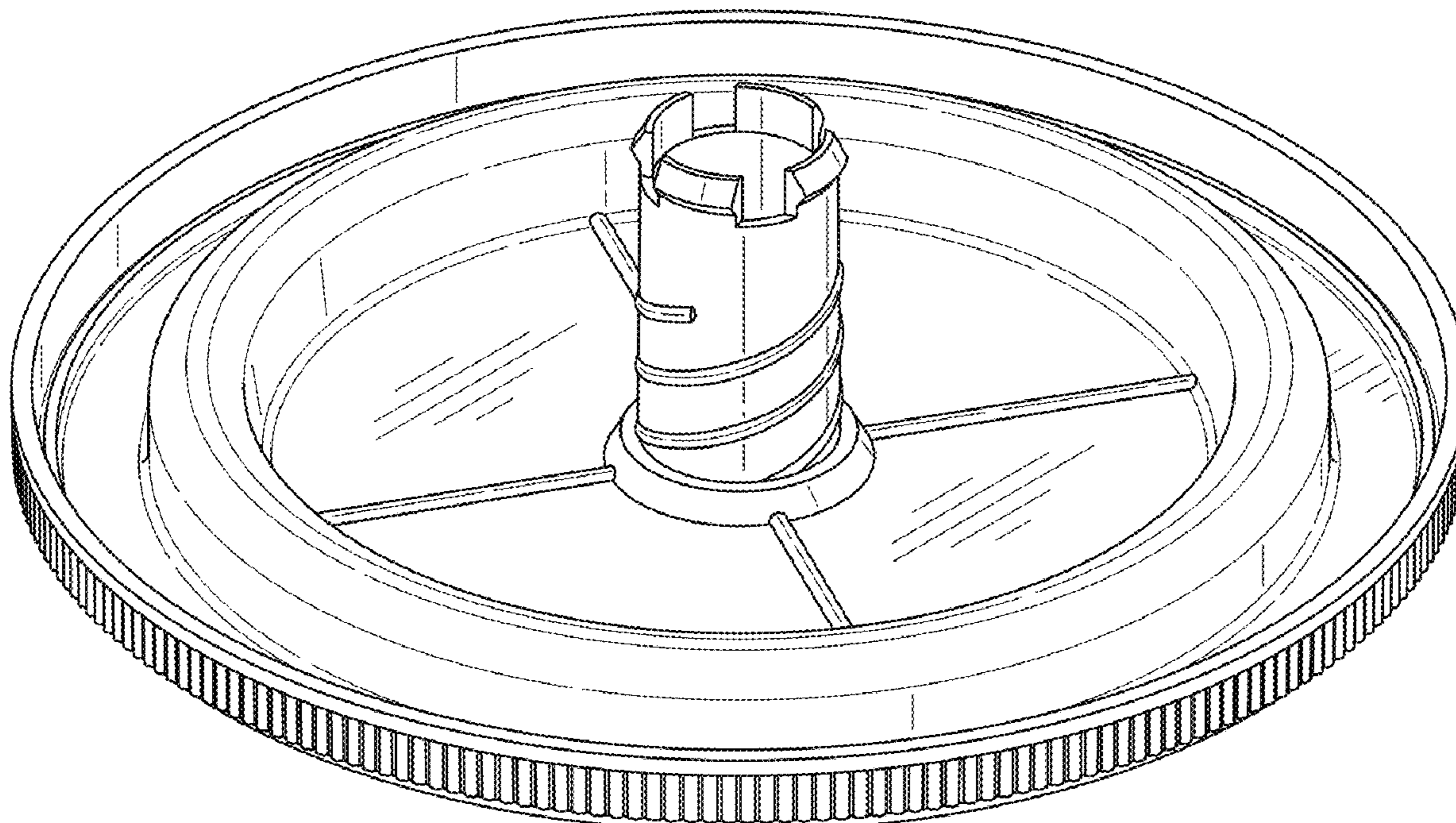
(56) **References Cited**
U.S. PATENT DOCUMENTS
5,695,692 A * 12/1997 Kennedy A61L 9/122 239/60
D441,440 S * 5/2001 Hartman D23/365
D656,599 S * 3/2012 Browder D23/366
D656,600 S * 3/2012 Browder D23/366
D686,719 S * 7/2013 Lin D23/366
D686,720 S * 7/2013 Lin D23/366
D700,692 S * 3/2014 Engelhardt D23/360
D708,728 S * 7/2014 Yoo D23/364
D716,435 S * 10/2014 Propes D23/366
D717,395 S * 11/2014 Neto D23/209
D718,852 S * 12/2014 Wangen D23/364
D762,833 S * 8/2016 Ogg D23/365
D836,759 S * 12/2018 Baek D23/352

* cited by examiner
Primary Examiner — David G Muller
(74) *Attorney, Agent, or Firm* — Norris McLaughlin PA

(57) **CLAIM**
The ornamental design for an air treatment device, as shown and described.

DESCRIPTION
FIG. 1 is a front perspective top view of the air treatment device;
FIG. 2 is a front elevation view thereof;
FIG. 3 is a rear elevation view thereof;
FIG. 4 is a side elevation view thereof;
FIG. 5 is a top plan view thereof;
FIG. 6 is a bottom plan view thereof; and,
FIG. 7 is a bottom perspective view thereof.

1 Claim, 6 Drawing Sheets



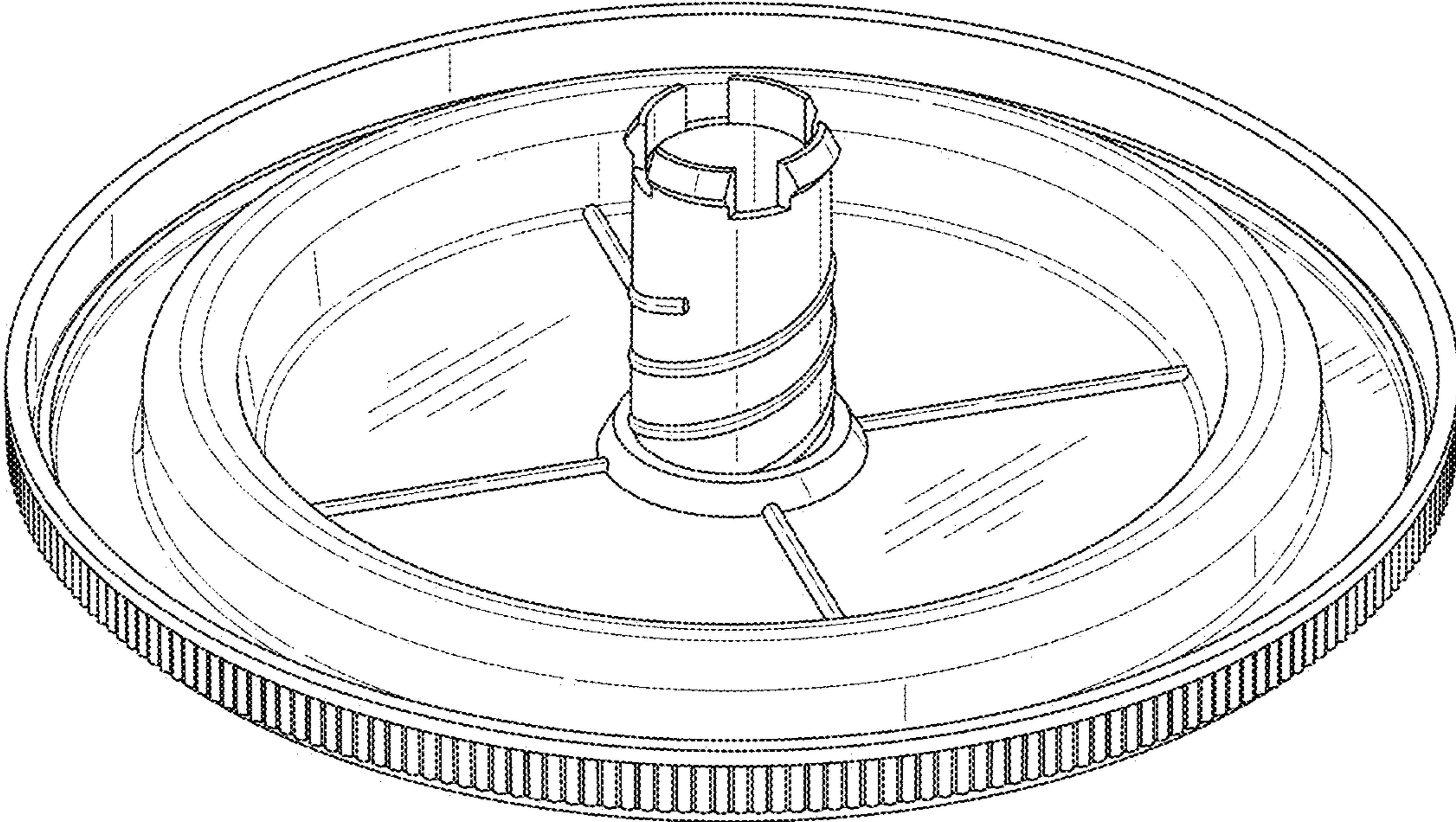


Fig. 1

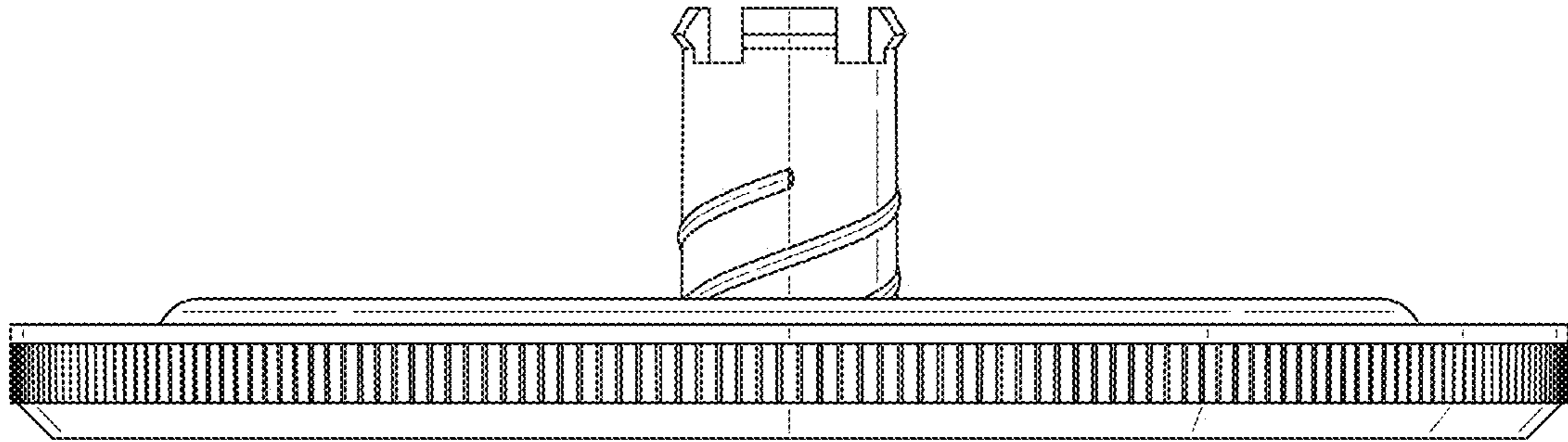


Fig. 2

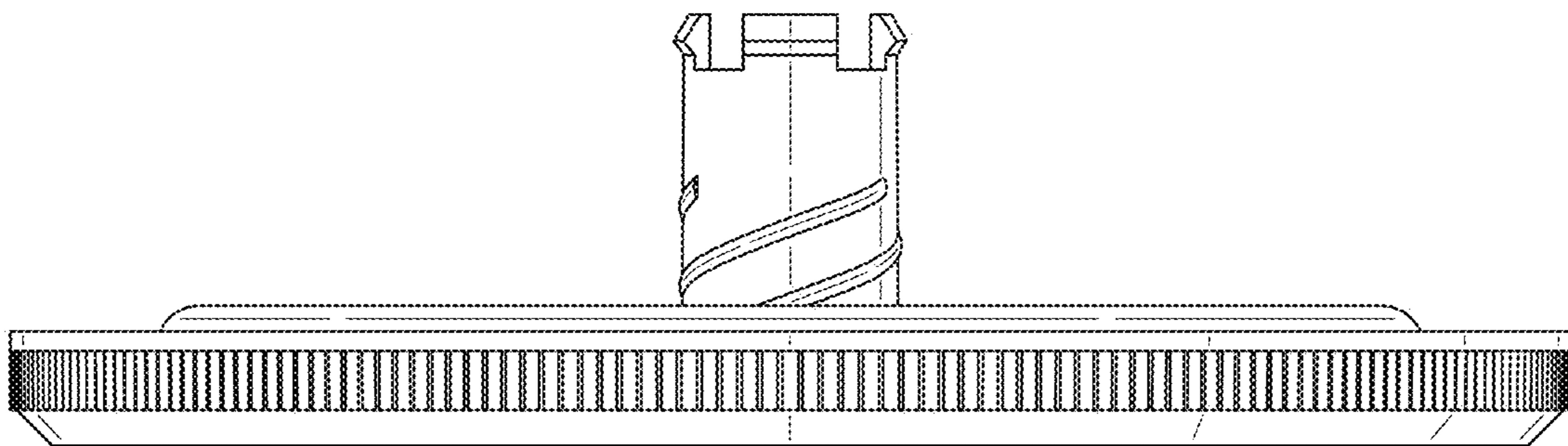


Fig. 3

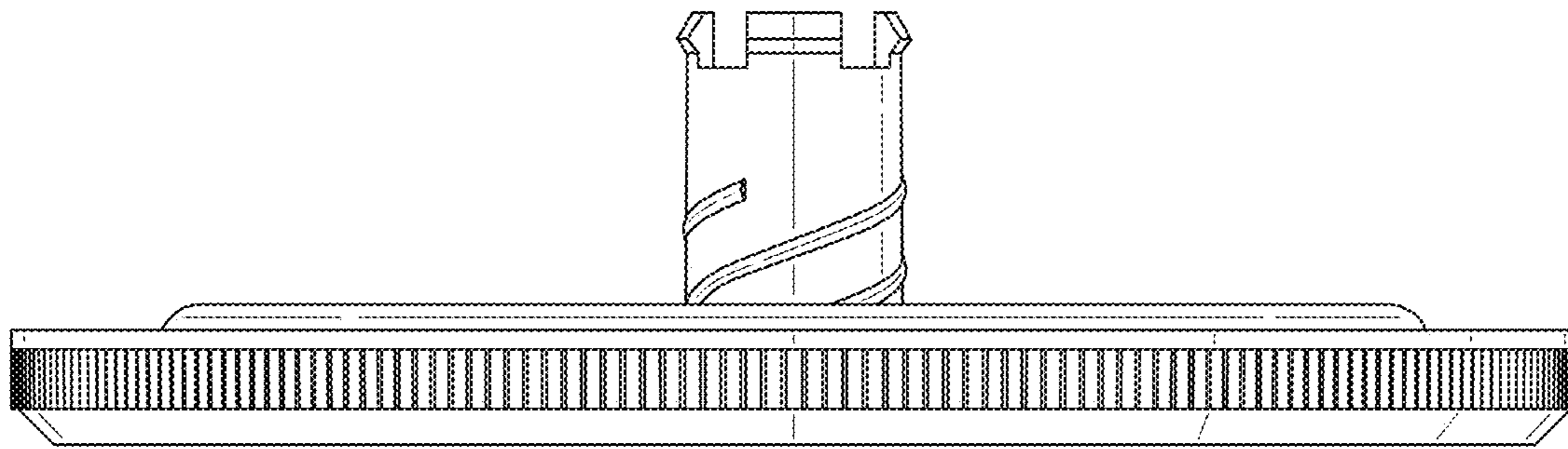


Fig. 4

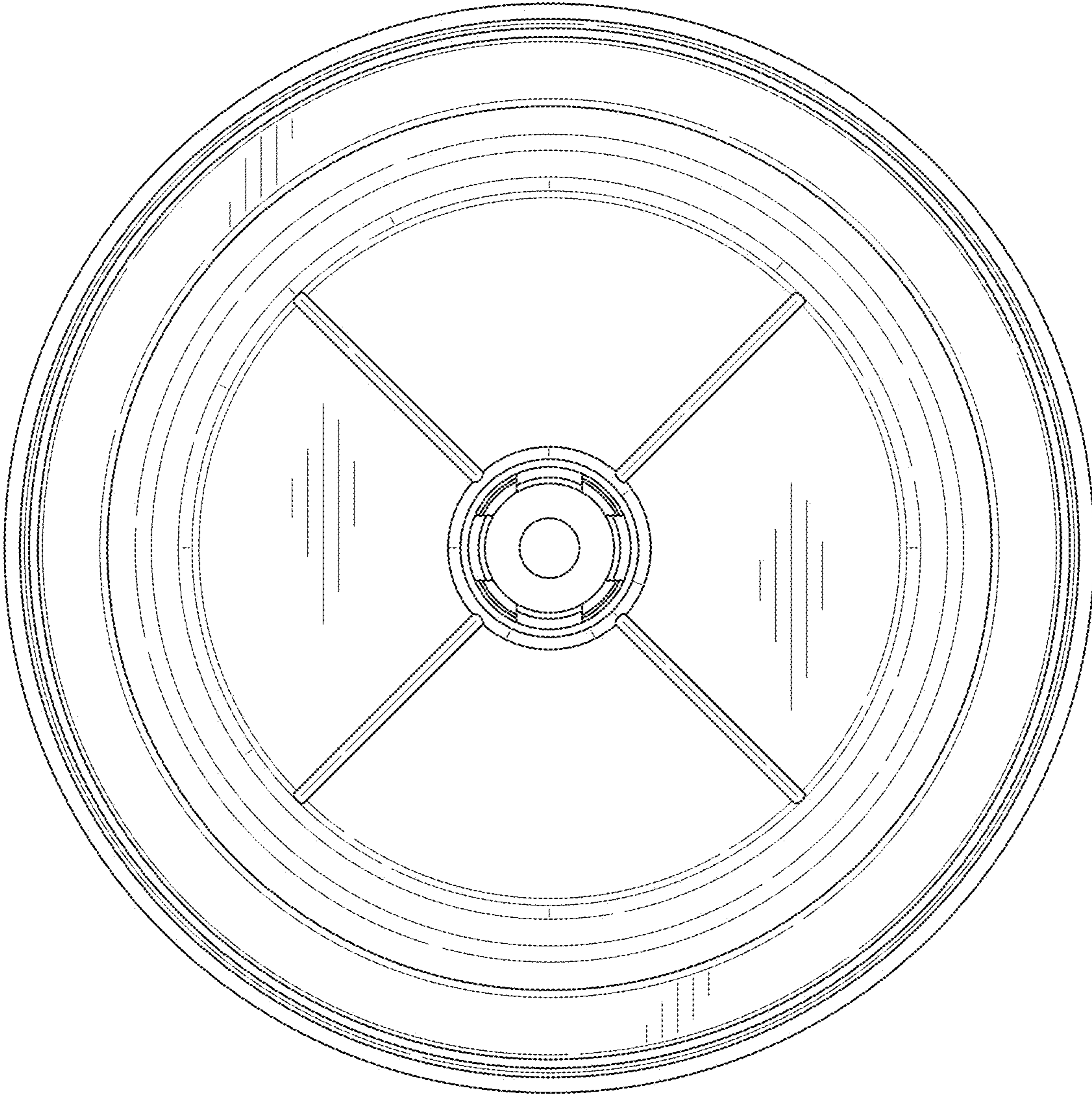


Fig. 5

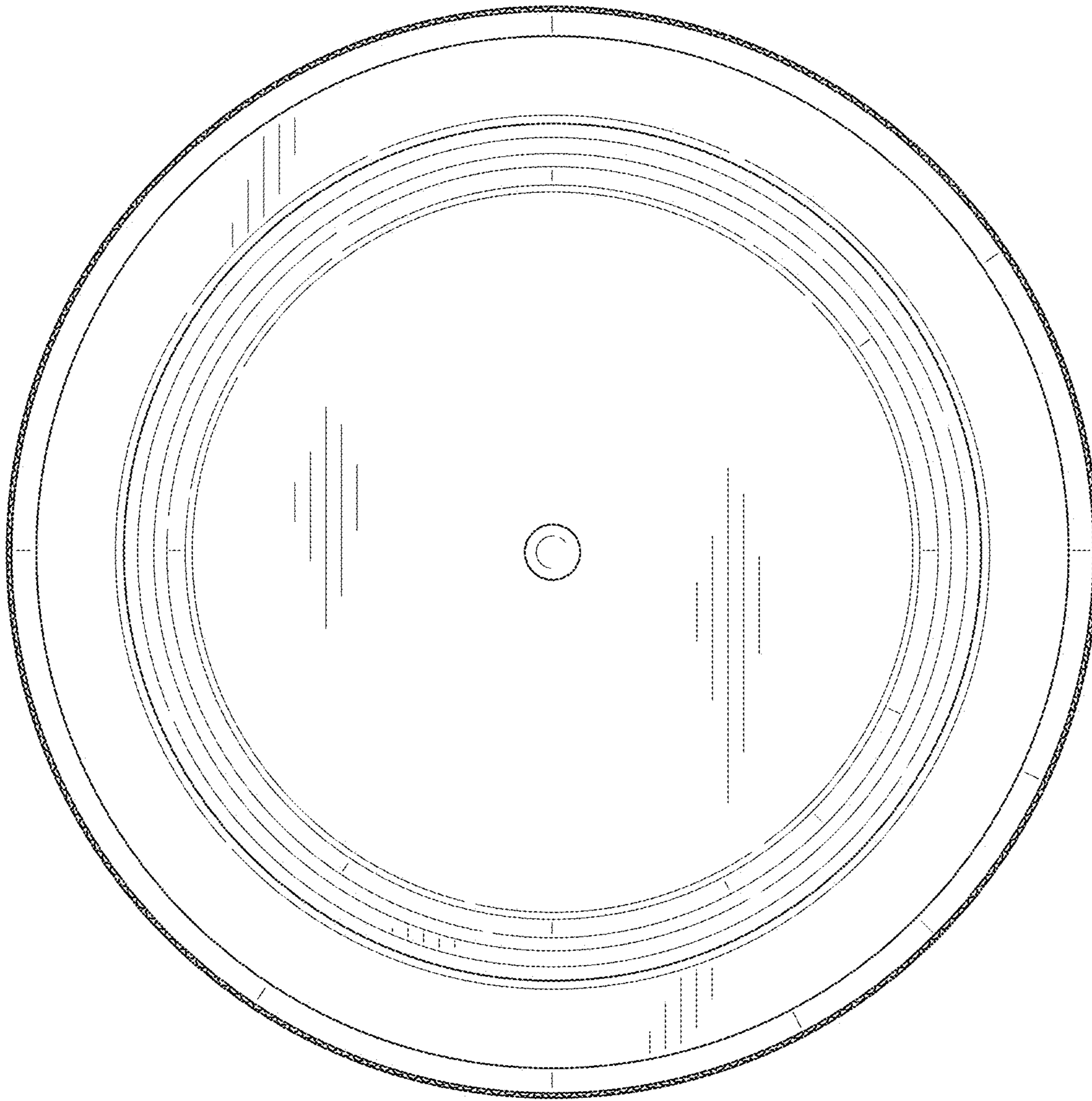


Fig. 6

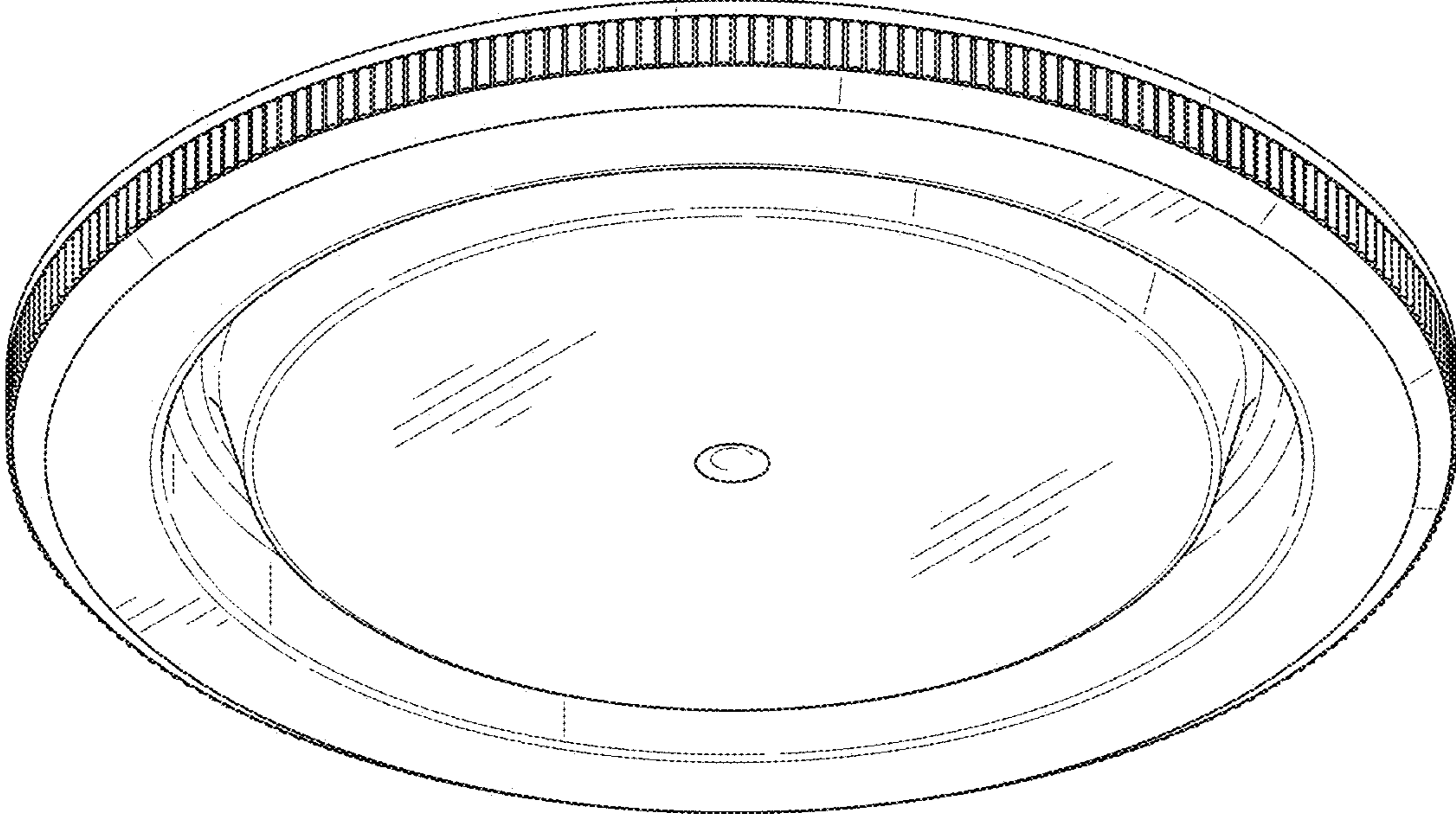


Fig. 7