

US00D874626S

(12) **United States Design Patent** (10) **Patent No.:** **US D874,626 S**
Protet (45) **Date of Patent:** **** Feb. 4, 2020**

(54) **STEAM GENERATING APPARATUS**

(71) Applicant: **CALOR**, Ecully (FR)

(72) Inventor: **David Protet**, Auxerre (FR)

(73) Assignee: **CALOR**, Ecully (FR)

(**) Term: **15 Years**

(21) Appl. No.: **29/666,017**

(22) Filed: **Oct. 9, 2018**

(30) **Foreign Application Priority Data**

Jul. 9, 2018 (EM) 005495009-0001
 Jul. 9, 2018 (EM) 005495009-0002
 Jul. 9, 2018 (EM) 005495009-0003

(51) **LOC (12) Cl.** **23-04**

(52) **U.S. Cl.**
USPC **D23/356**

(58) **Field of Classification Search**

USPC D23/355-366, 352, 369, 332, 333, 335,
 D23/336, 342, 351; 422/120, 122;
 55/356, 473, 504; 96/97; 261/DIG. 17,
 261/DIG. 65, DIG. 88, DIG. 31
 CPC .. A61L 9/16; A61L 9/22; B01D 47/00; B01D
 47/027; B01D 2221/02; B01D 2259/4508;
 B03C 3/155; B03C 3/368; F24F 3/16;
 F24F 13/20; F24F 13/28

See application file for complete search history.

(56) **References Cited**

U.S. PATENT DOCUMENTS

D662,577 S * 6/2012 Nakamura D23/364
 D673,665 S * 1/2013 Langford D23/359

D683,439 S * 5/2013 Choi D23/364
 D729,919 S * 5/2015 Yeom D23/359
 D748,235 S * 1/2016 Yamashita D23/364
 D786,414 S * 5/2017 Kim D23/359
 D786,415 S * 5/2017 Kim D23/359
 D802,112 S * 11/2017 Jeon D23/364
 D830,528 S * 10/2018 Zhou D23/364
 D844,766 S * 4/2019 Miao D23/364
 D853,544 S * 7/2019 Vu D23/364
 D861,145 S * 9/2019 Fang D23/333
 D862,673 S * 10/2019 Tang D23/364

* cited by examiner

Primary Examiner — David G Muller

(74) *Attorney, Agent, or Firm* — Loeb & Loeb LLP

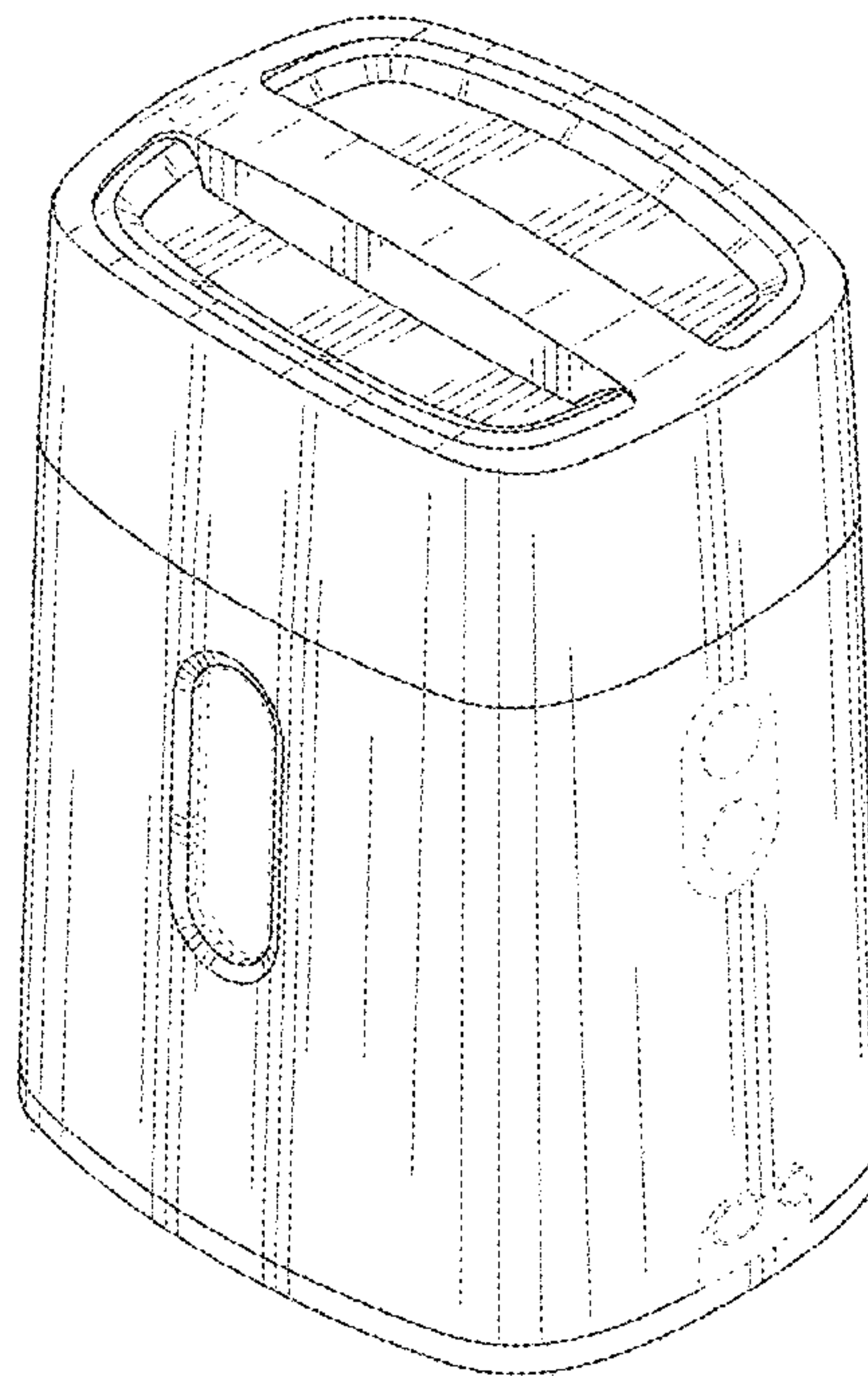
(57) **CLAIM**

The ornamental design for a steam generating apparatus, as shown and described.

DESCRIPTION

FIG. 1 is a perspective view of a steam generating apparatus showing my new design;
 FIG. 2 is a front elevational view thereof;
 FIG. 3 is a rear elevational view thereof;
 FIG. 4 is a right side elevational view thereof;
 FIG. 5 is a left side elevational view thereof;
 FIG. 6 is a top view thereof;
 FIG. 7 is a bottom view thereof; and,
 FIG. 8 is another perspective view thereof.
 The broken lines shown in the figure drawings depict portions of the steam generating apparatus that form no part of the claimed design. The dot dash lines in the figure drawings indicate the bounds of the claimed subject matter and forms no part thereof.

1 Claim, 8 Drawing Sheets



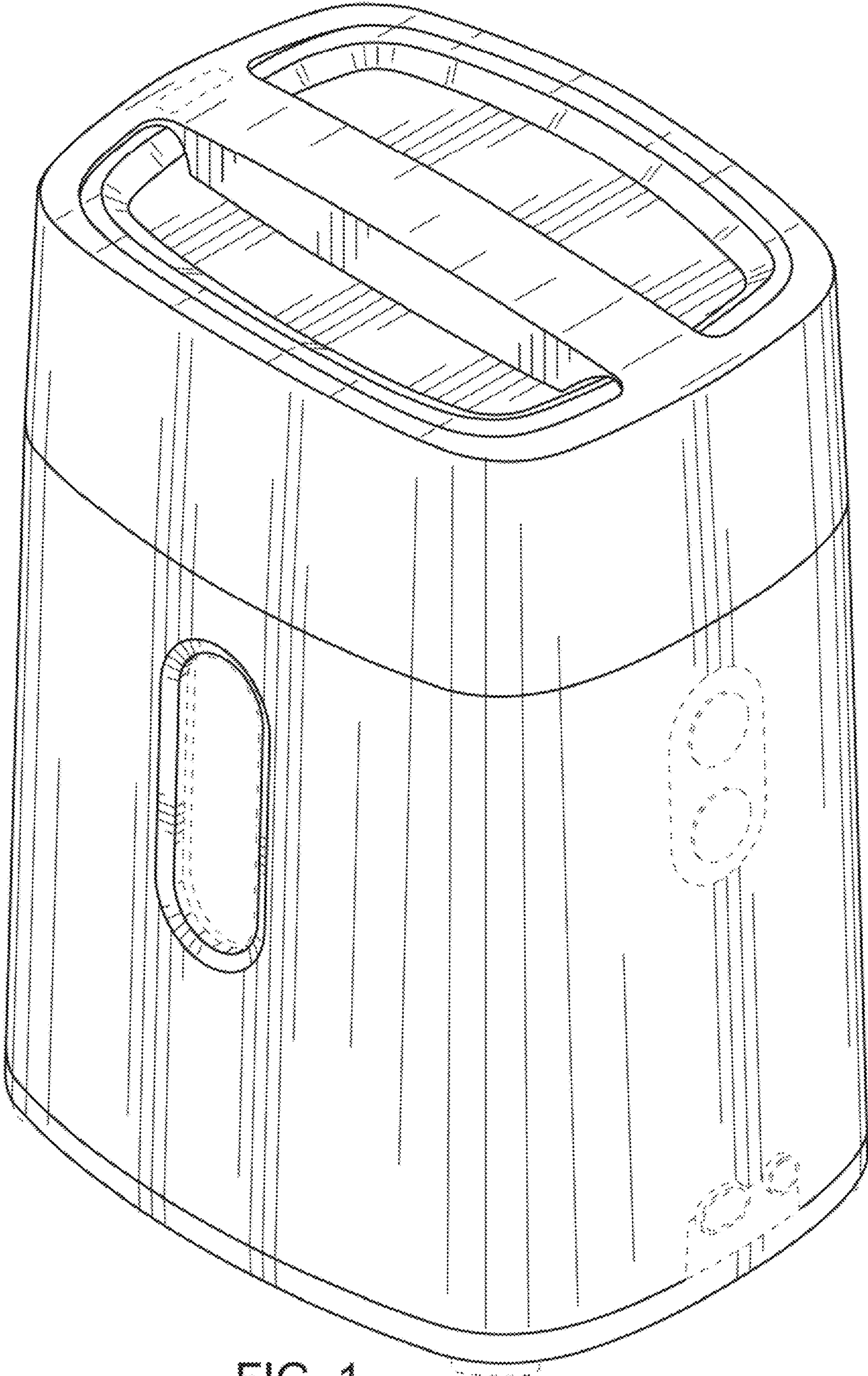


FIG. 1

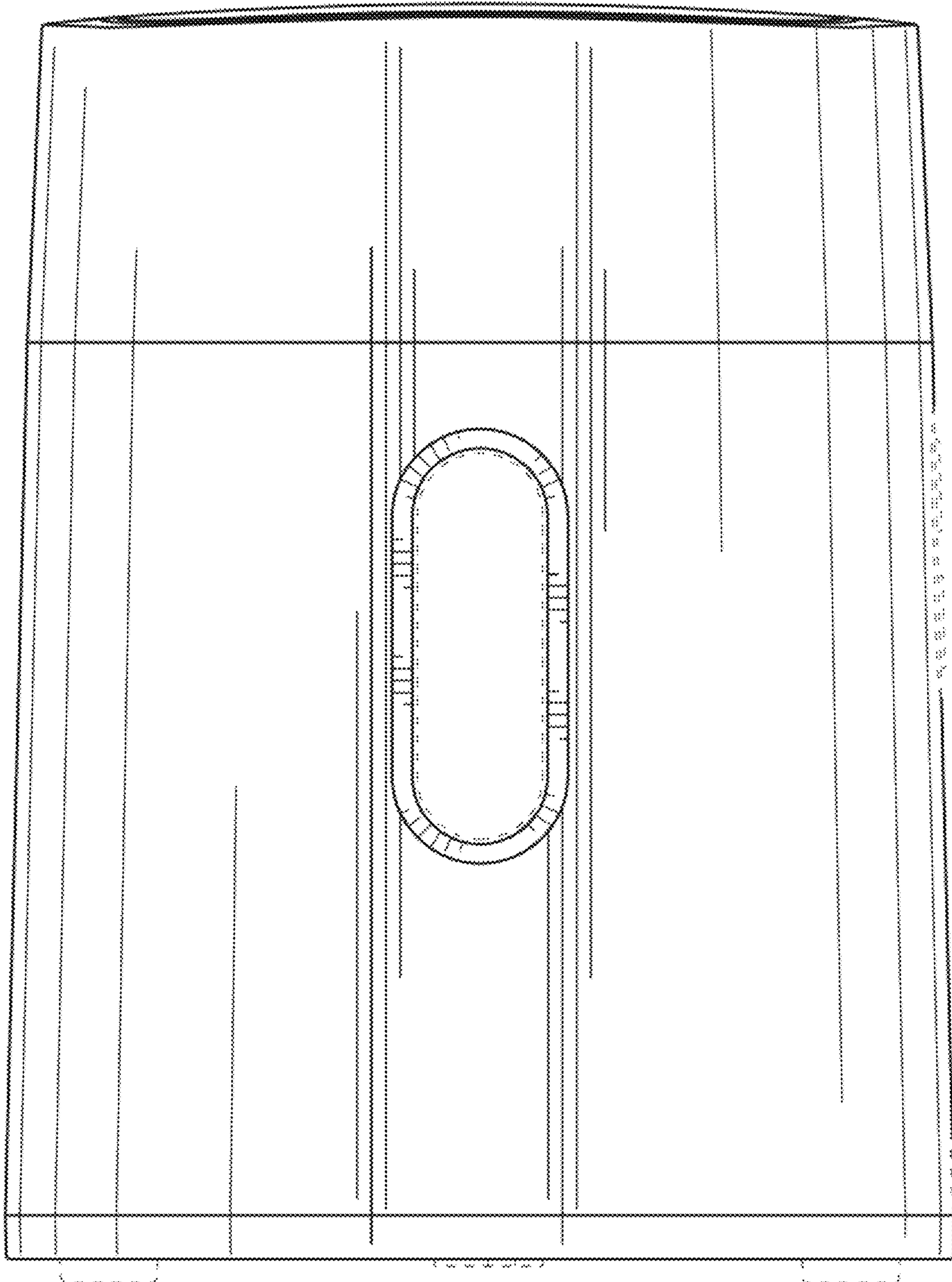


FIG. 2

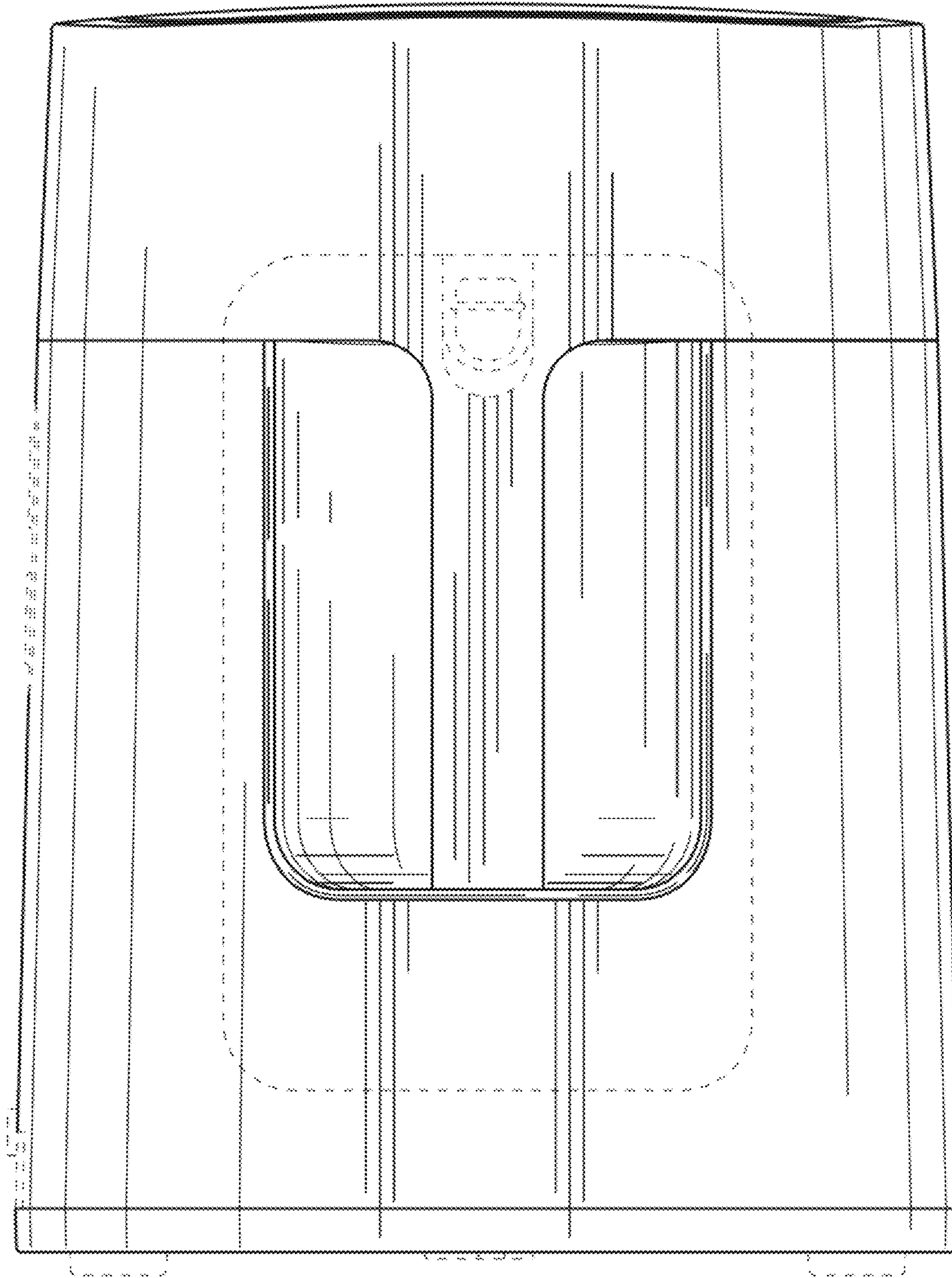


FIG. 3

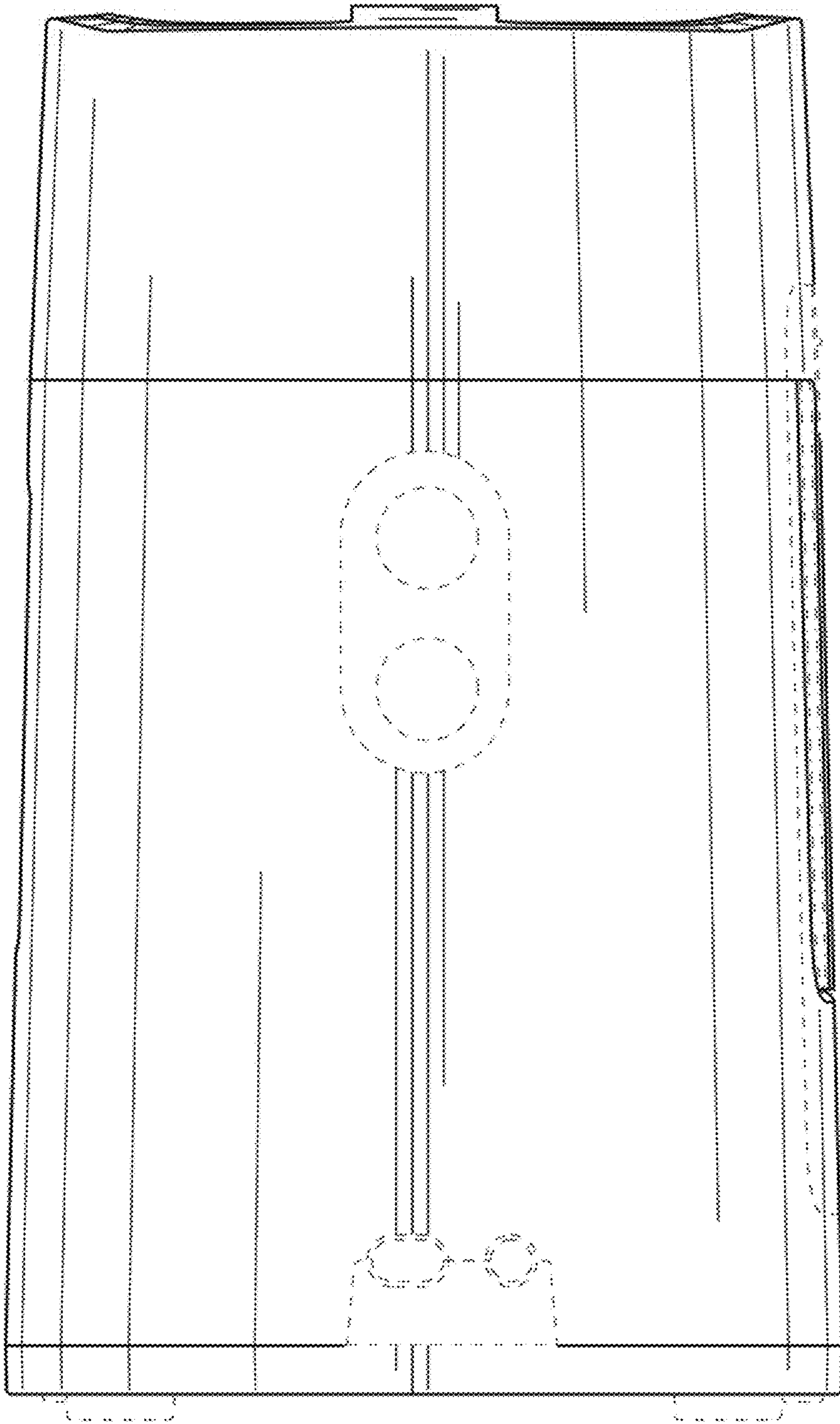


FIG. 4

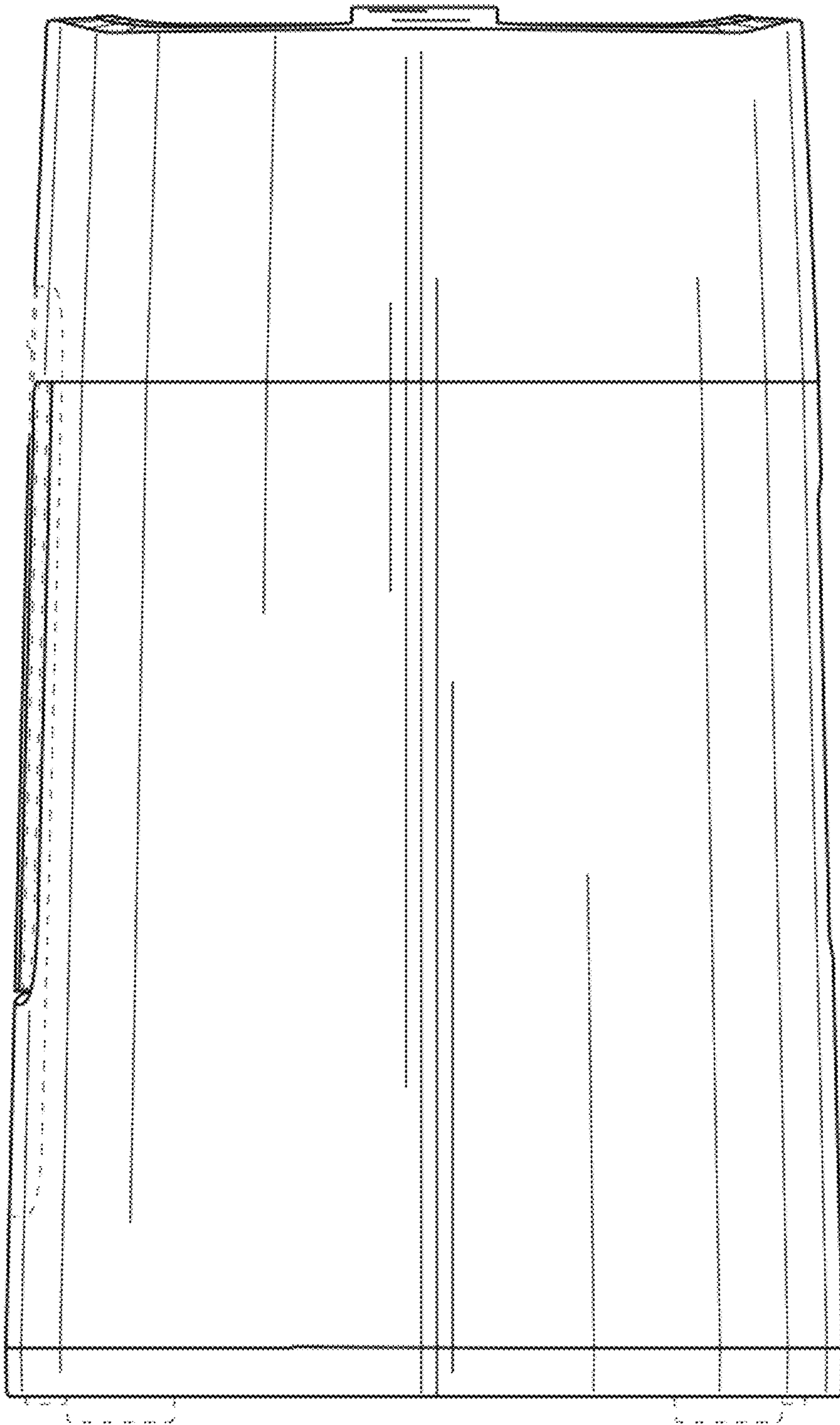


FIG. 5

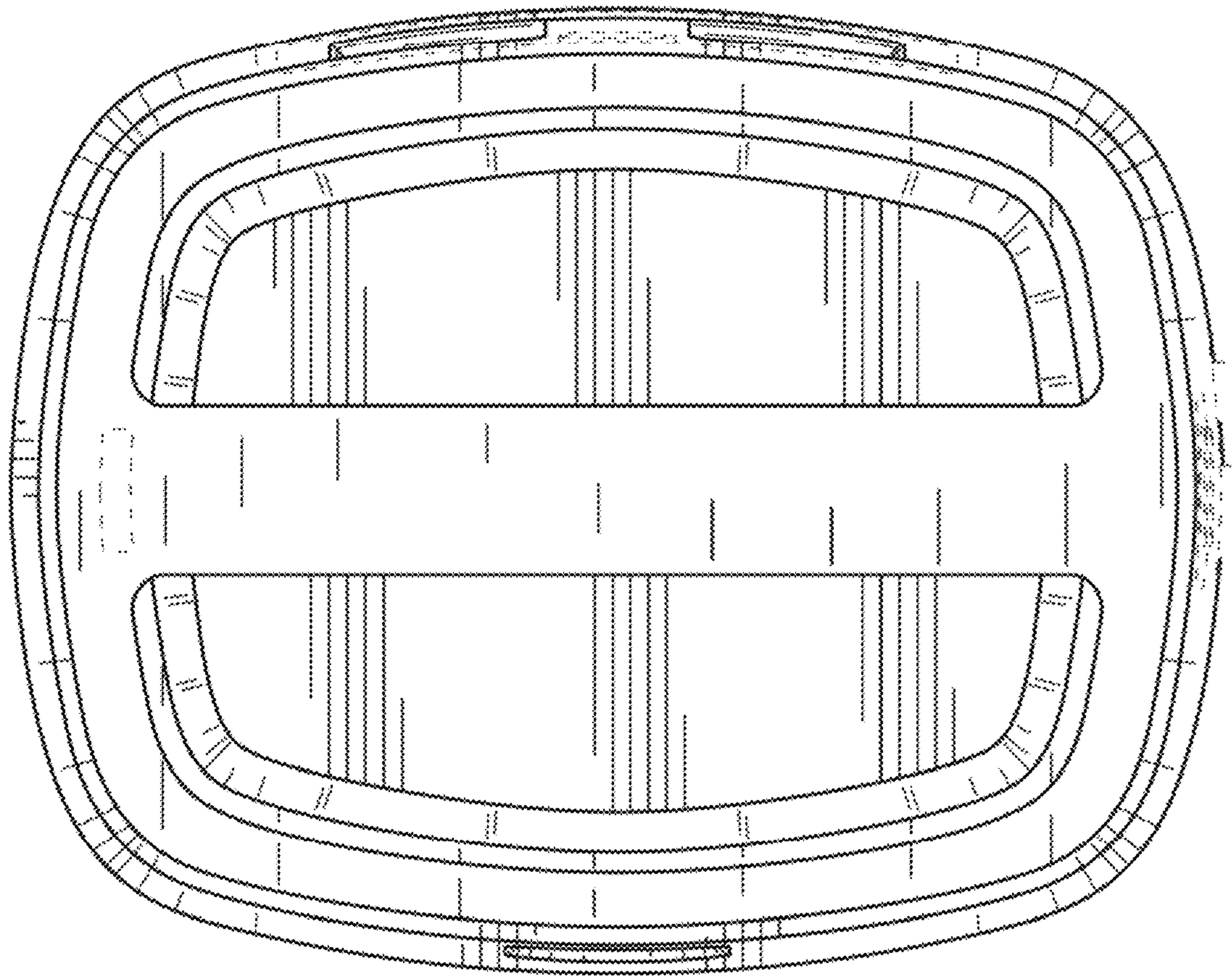


FIG. 6

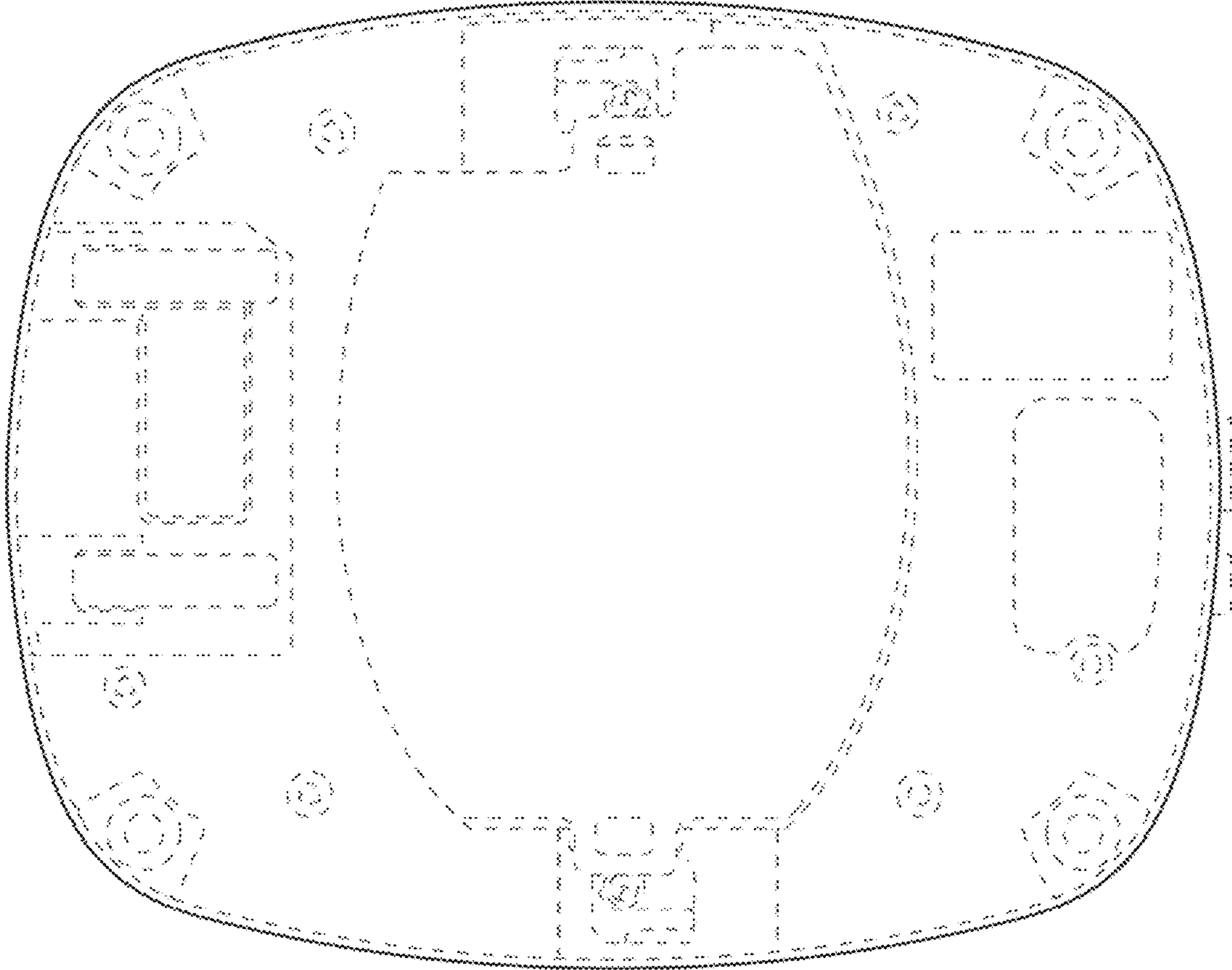


FIG. 7

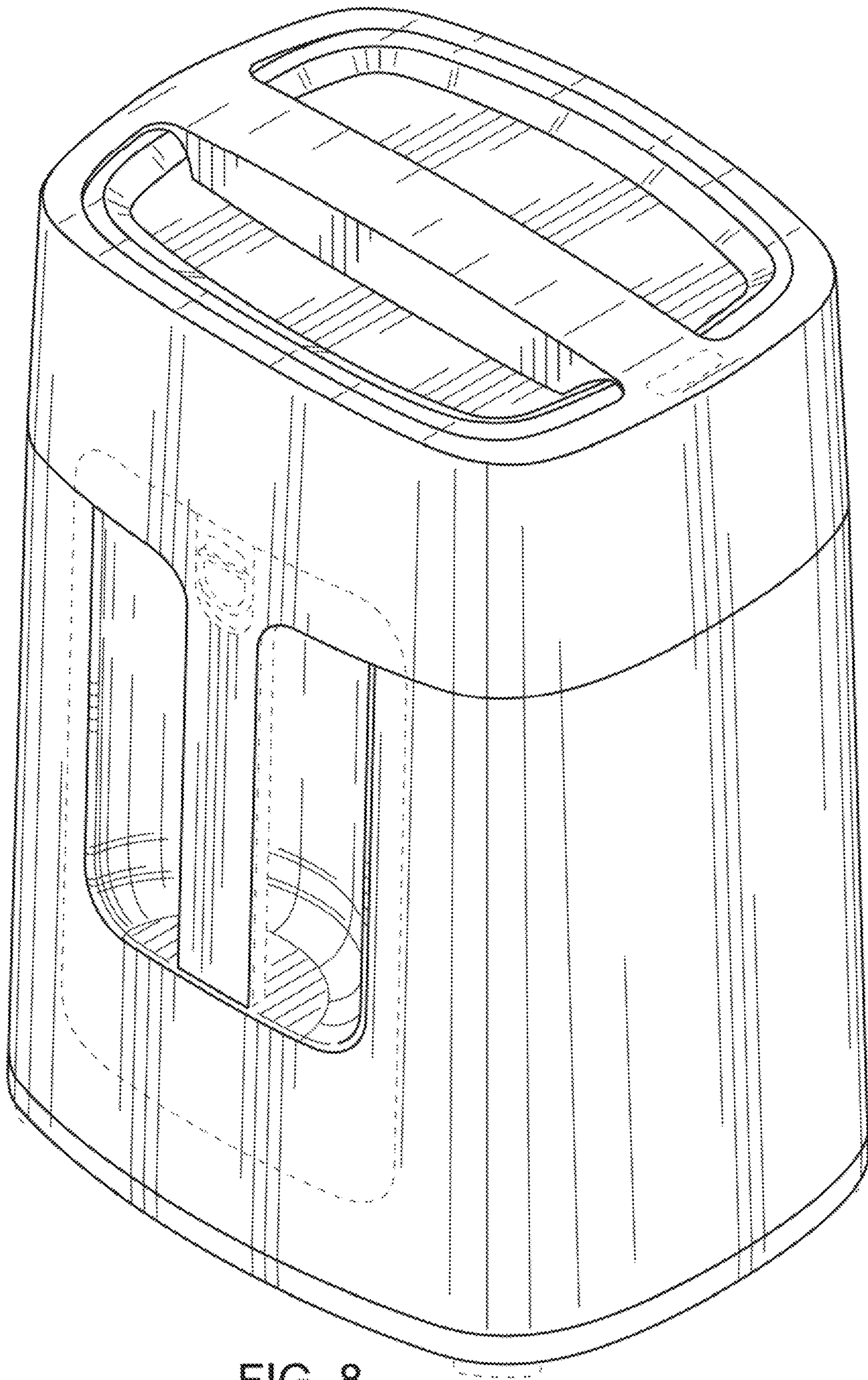


FIG. 8