



US00D874624S

(12) **United States Design Patent**  
**Liu et al.**

(10) **Patent No.:** **US D874,624 S**  
(45) **Date of Patent:** **\*\* Feb. 4, 2020**

(54) **ELECTRIC HEATER**  
(71) Applicant: **BEIJING XIAOMI MOBILE SOFTWARE CO., LTD.**, Beijing (CN)  
(72) Inventors: **Tie Liu**, Beijing (CN); **Mengnan Wang**, Beijing (CN)  
(73) Assignee: **BEIJING XIAOMI MOBILE SOFTWARE CO., LTD.**, Beijing (CN)  
(\*\*) Term: **15 Years**

6,289,175 B1 \* 9/2001 De' Longhi ..... F24H 3/004  
392/357  
D453,557 S \* 2/2002 Pannozzo ..... D23/335  
D454,944 S \* 3/2002 Hotaling ..... D23/335  
D460,816 S \* 7/2002 Mavridis ..... D23/335  
D499,474 S \* 12/2004 Ching ..... D23/332  
D505,997 S \* 6/2005 Maegawa ..... D23/332  
D514,674 S \* 2/2006 Blateri ..... D23/335  
D515,678 S \* 2/2006 Blateri ..... D23/335  
D624,166 S \* 9/2010 Zanolin ..... D23/330  
D684,245 S \* 6/2013 Dong ..... D23/330  
D698,014 S \* 1/2014 Dong ..... D23/330  
D803,998 S \* 11/2017 De' Longhi ..... D23/330  
D842,974 S \* 3/2019 Szolony ..... D23/323

(Continued)

(21) Appl. No.: **35/506,615**

(22) Filed: **Jul. 26, 2018**

(80) **Hague Agreement Data**

Int. Filing Date: **Jul. 26, 2018**  
Int. Reg. No.: **DM/103865**  
Int. Reg. Date: **Jul. 26, 2018**  
Int. Reg. Pub. Date: **Feb. 1, 2019**

*Primary Examiner* — Khawaja Anwar

(74) *Attorney, Agent, or Firm* — Amster, Rothstein & Ebenstein LLP

(57) **CLAIM**

The ornamental design for electric heater, as shown and described.

**DESCRIPTION**

(30) **Foreign Application Priority Data**

Jan. 26, 2018 (CN) ..... 2018 3 0038127

(51) **LOC (12) Cl.** ..... **23-02**

(52) **U.S. Cl.**  
USPC ..... **D23/335**

(58) **Field of Classification Search**  
USPC ..... D23/314, 317, 330, 332–333, 335–351,  
D23/354–356, 370, 376, 378, 381, 382  
CPC ..... F24D 19/1009; F24D 5/02; F24D 5/12;  
F28D 15/0275; F28D 2021/0029; F28D  
20/00

See application file for complete search history.

(56) **References Cited**

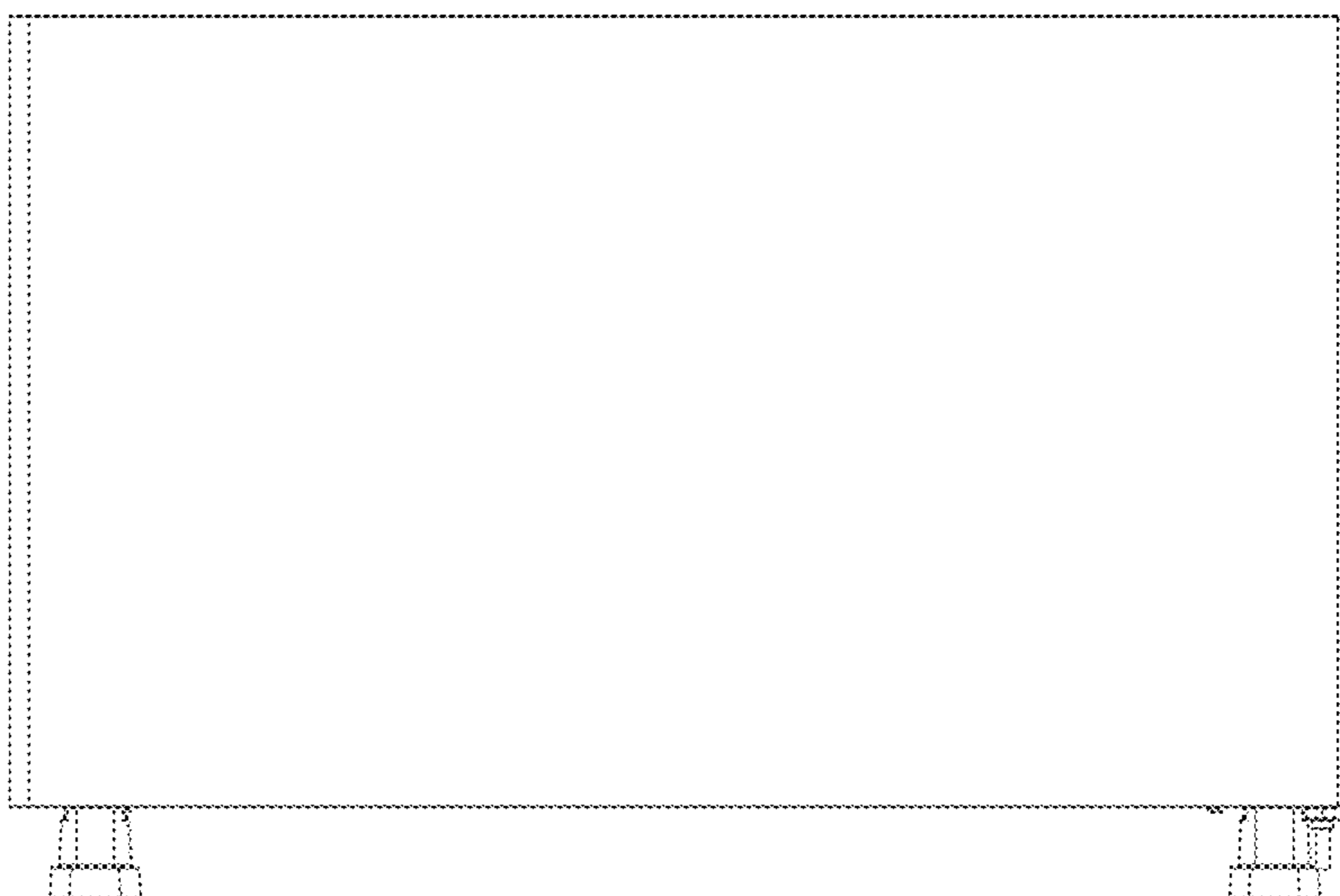
**U.S. PATENT DOCUMENTS**

D359,344 S \* 6/1995 De'Longhi ..... D23/317  
D397,193 S \* 8/1998 Boyle ..... D23/317

- 1. Electric heater
- 1.1 : Front
- 1.2 : Back
- 1.3 : Left
- 1.4 : Right
- 1.5 : Top
- 1.6 : Bottom
- 1.7 : Perspective
- 1.8 : Perspective
- 1.9 : Perspective

1.1 is a front elevation view of an electric heater showing our new design; 1.2 is a rear elevation view thereof; 1.3 is a left side elevation view thereof; 1.4 is a right side elevation view thereof; 1.5 is a top plan view thereof; 1.6 is a bottom plan view thereof; 1.7 is a perspective view thereof; 1.8 is another perspective view thereof; and 1.9 is another perspective view thereof.

**1 Claim, 9 Drawing Sheets**



(56)

**References Cited**

U.S. PATENT DOCUMENTS

2002/0076213 A1\* 6/2002 Pelonis ..... F24D 19/0087  
392/358  
2016/0161145 A1\* 6/2016 Zhang ..... H05B 3/06  
392/355

\* cited by examiner

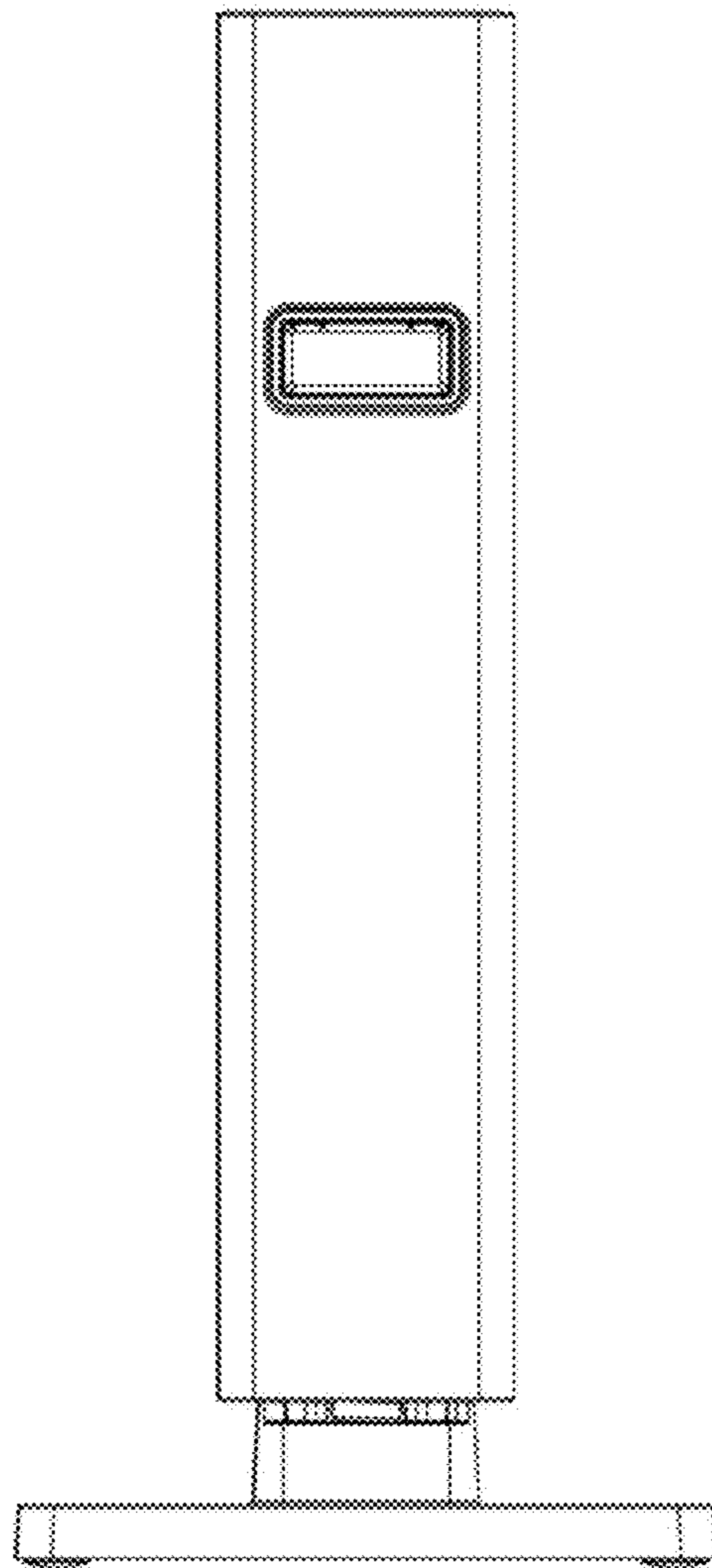
1.1



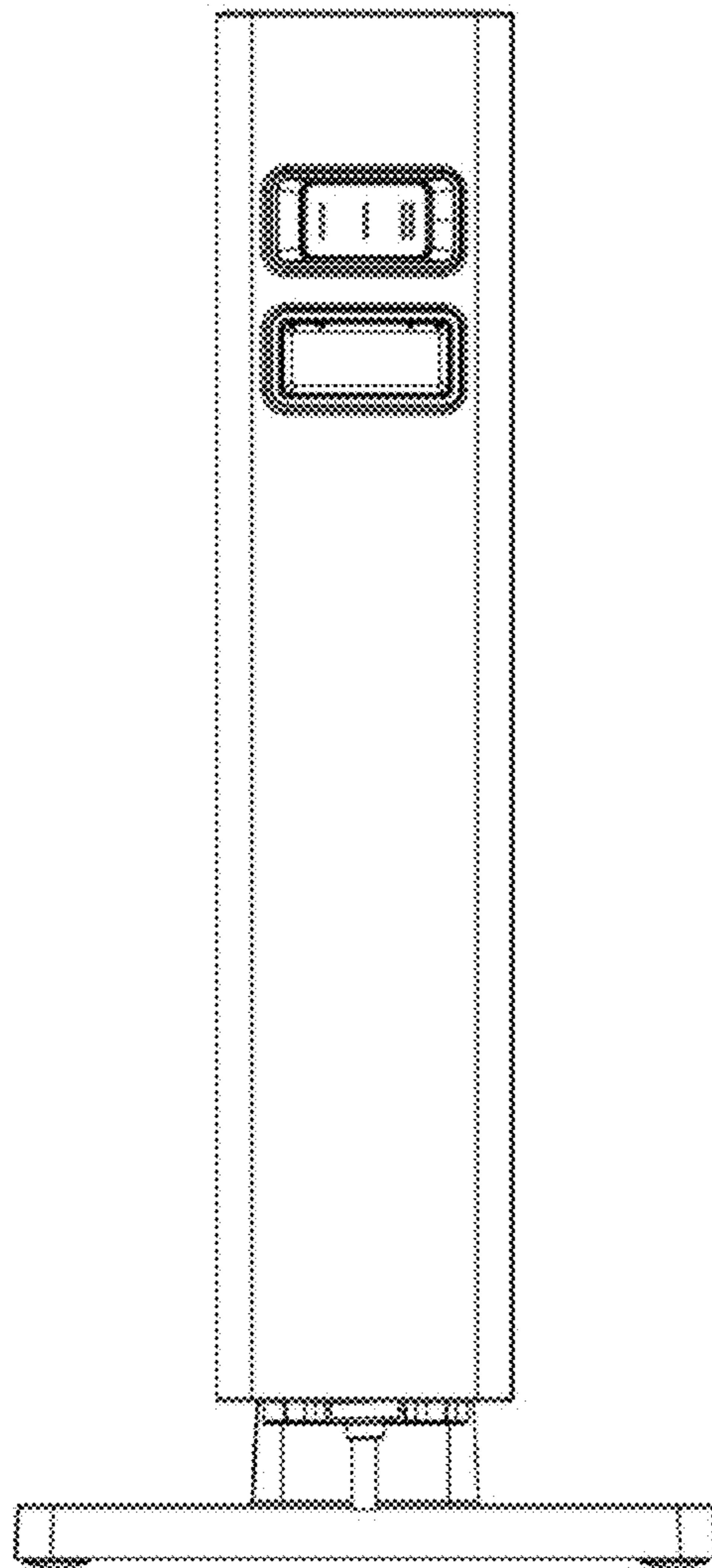
1.2



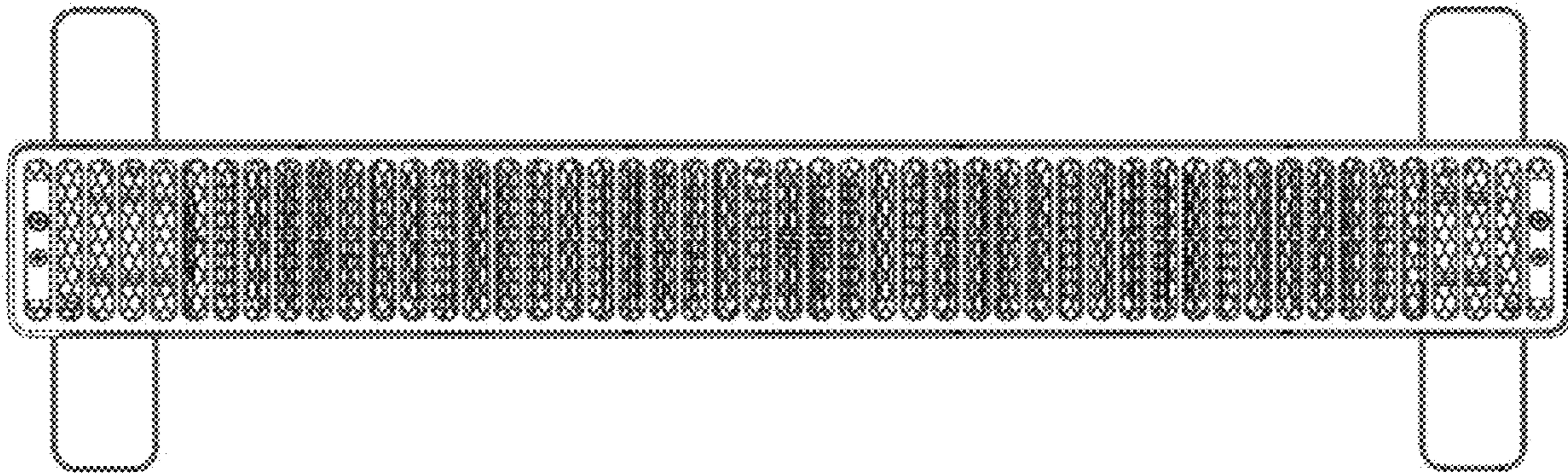
1.3



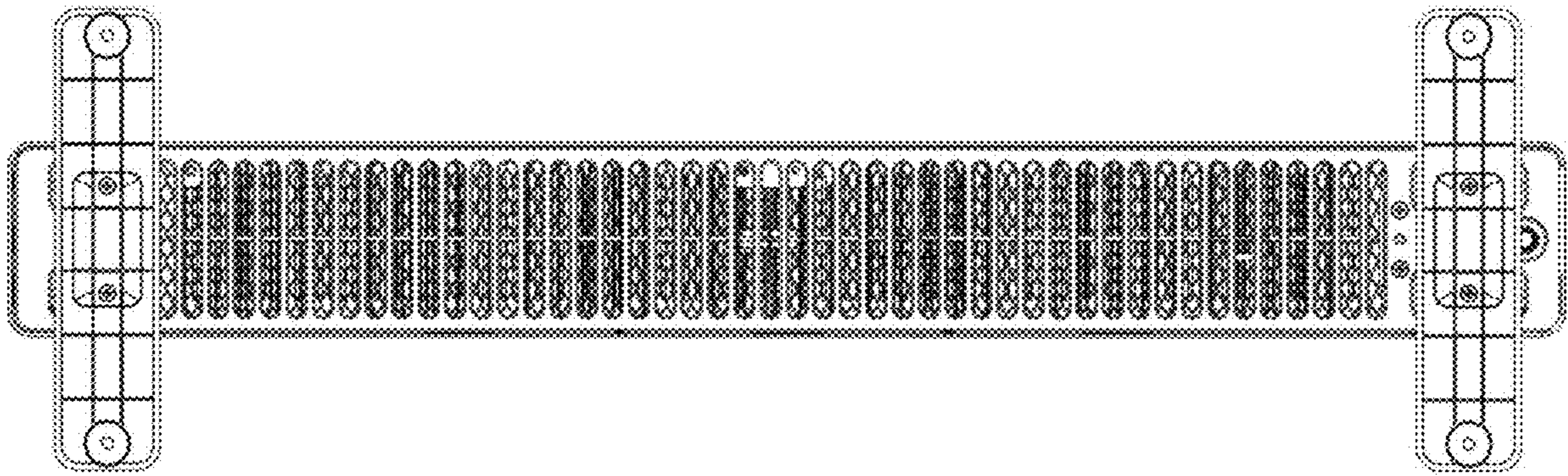
1.4



1.5

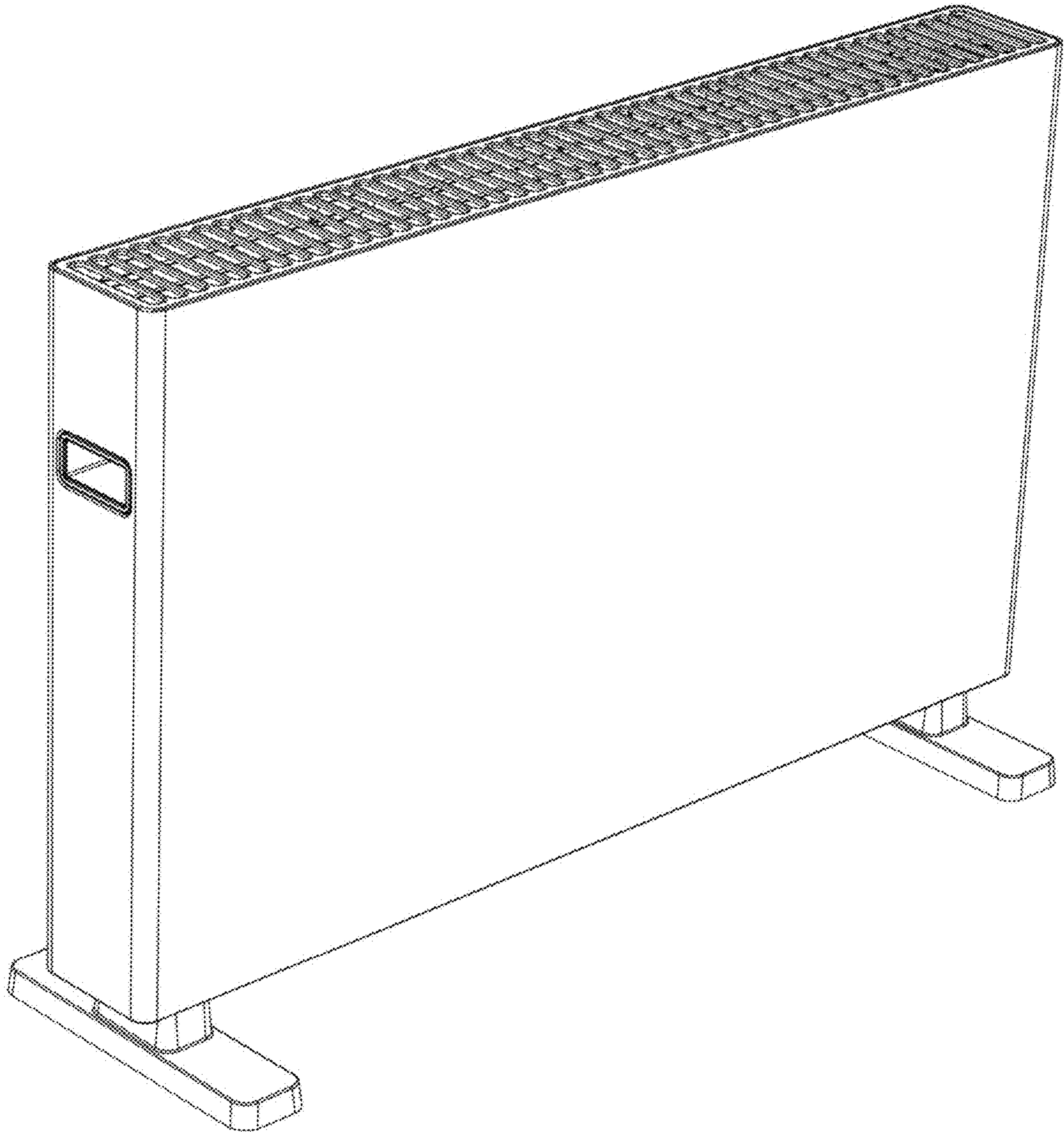


1.6

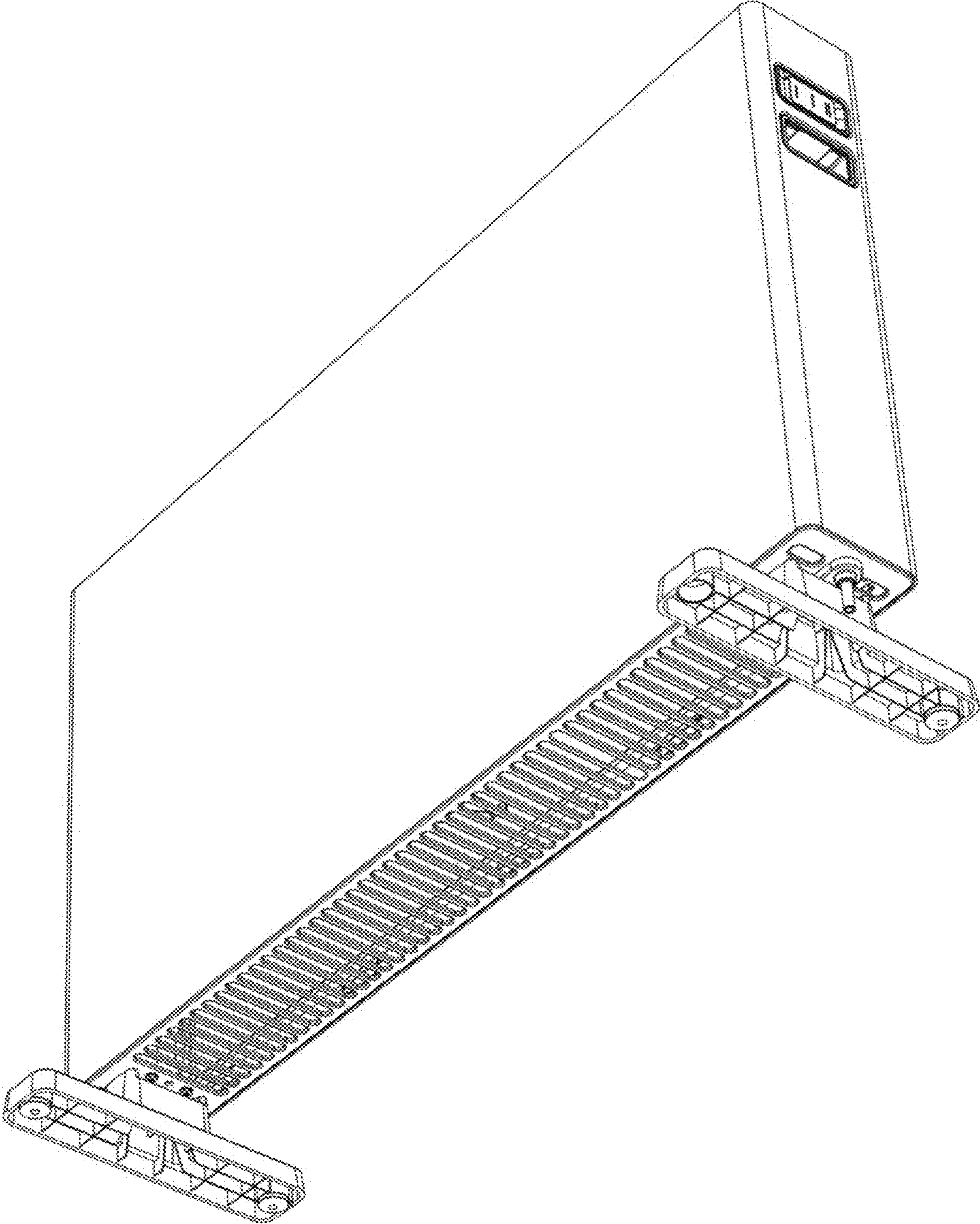




1.7



1.8



1.9

