



US00D874623S

(12) **United States Design Patent** (10) **Patent No.:** **US D874,623 S**
Lupi (45) **Date of Patent:** **** Feb. 4, 2020**

(54) **COOLING DEVICE**
(71) Applicant: **Robert Lupi**, Houston, TX (US)
(72) Inventor: **Robert Lupi**, Houston, TX (US)
(**) Term: **15 Years**
(21) Appl. No.: **29/611,903**
(22) Filed: **Jul. 26, 2017**
(51) **LOC (12) Cl.** **23-04**
(52) **U.S. Cl.**
USPC **D23/333**
(58) **Field of Classification Search**
USPC D23/370-385, 411-414, 365, 364, 332,
D23/328, 333, 314
CPC .. F04D 25/084; F04D 25/0673; F04D 25/086;
F04D 27/009; F24F 6/02; F24F 2221/38
See application file for complete search history.

(56) **References Cited**

U.S. PATENT DOCUMENTS

5,667,732 A * 9/1997 Lederer B01F 3/04035
239/222.11
D387,422 S * 12/1997 Radtke D23/328
5,953,933 A * 9/1999 Cheng F24F 5/0017
62/420
6,050,551 A 4/2000 Anderson
6,149,138 A 11/2000 Birdsell
6,155,782 A * 12/2000 Hsu F04D 25/084
415/126
6,179,564 B1 * 1/2001 Park F04D 25/084
416/146 R
6,192,702 B1 2/2001 Shimogori
6,216,961 B1 4/2001 Utter et al.
D529,166 S * 9/2006 Geringer D23/379
7,104,468 B2 9/2006 Vectacor
7,677,536 B2 3/2010 Wang et al.

7,997,565 B1 8/2011 Chan
2004/0027009 A1 * 2/2004 Ji B25F 5/02
310/50
2004/0197199 A1 * 10/2004 Cheng F04D 25/084
417/234
2008/0209932 A1 9/2008 Clarke
2010/0290907 A1 * 11/2010 Wark F04D 25/084
416/63
2013/0094980 A1 * 4/2013 Chan F04D 25/084
417/411
2013/0108481 A1 * 5/2013 Hoyer F04D 25/084
417/234
2016/0356279 A1 * 12/2016 Xu F04D 25/084

* cited by examiner

Primary Examiner — T Chase Nelson
Assistant Examiner — Ania Aman
(74) *Attorney, Agent, or Firm* — Henry J. Cittone; Cittone Demers & Arneri LLP

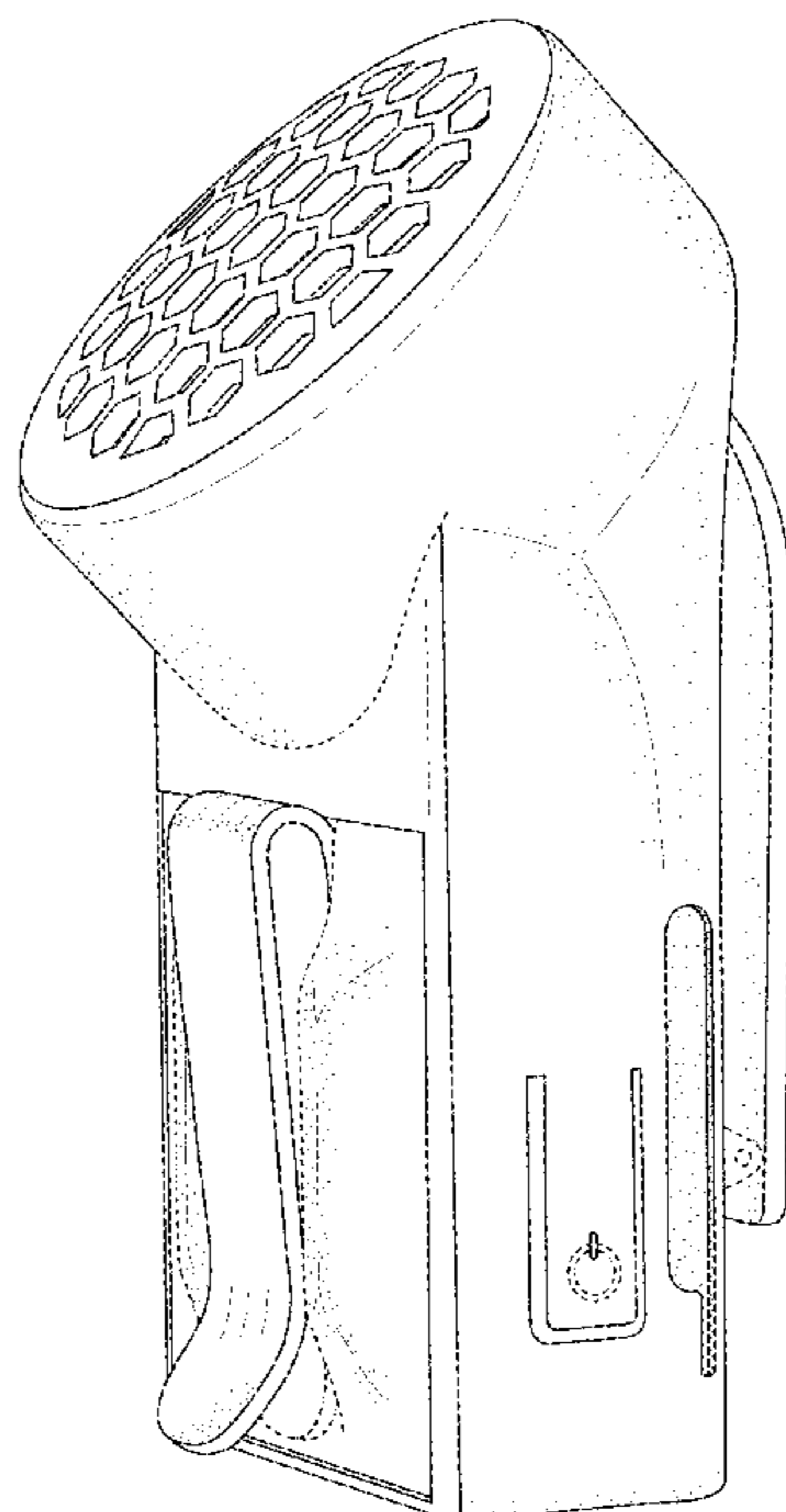
(57) **CLAIM**

The ornamental design for a cooling device, as shown and described.

DESCRIPTION

FIG. 1 is a front perspective view of a cooling device in accordance with the present invention; FIG. 2 is a front view thereof; FIG. 3 is a back view thereof; FIG. 4 is a left side view thereof; FIG. 5 is a right side view thereof; FIG. 6 is a top view thereof; FIG. 7 is a bottom view thereof; and, FIG. 8 is a back perspective view thereof. The broken line showing of the cooling device is for the purpose of illustrating portions of the “article” and forms no part of the claimed design.

1 Claim, 7 Drawing Sheets



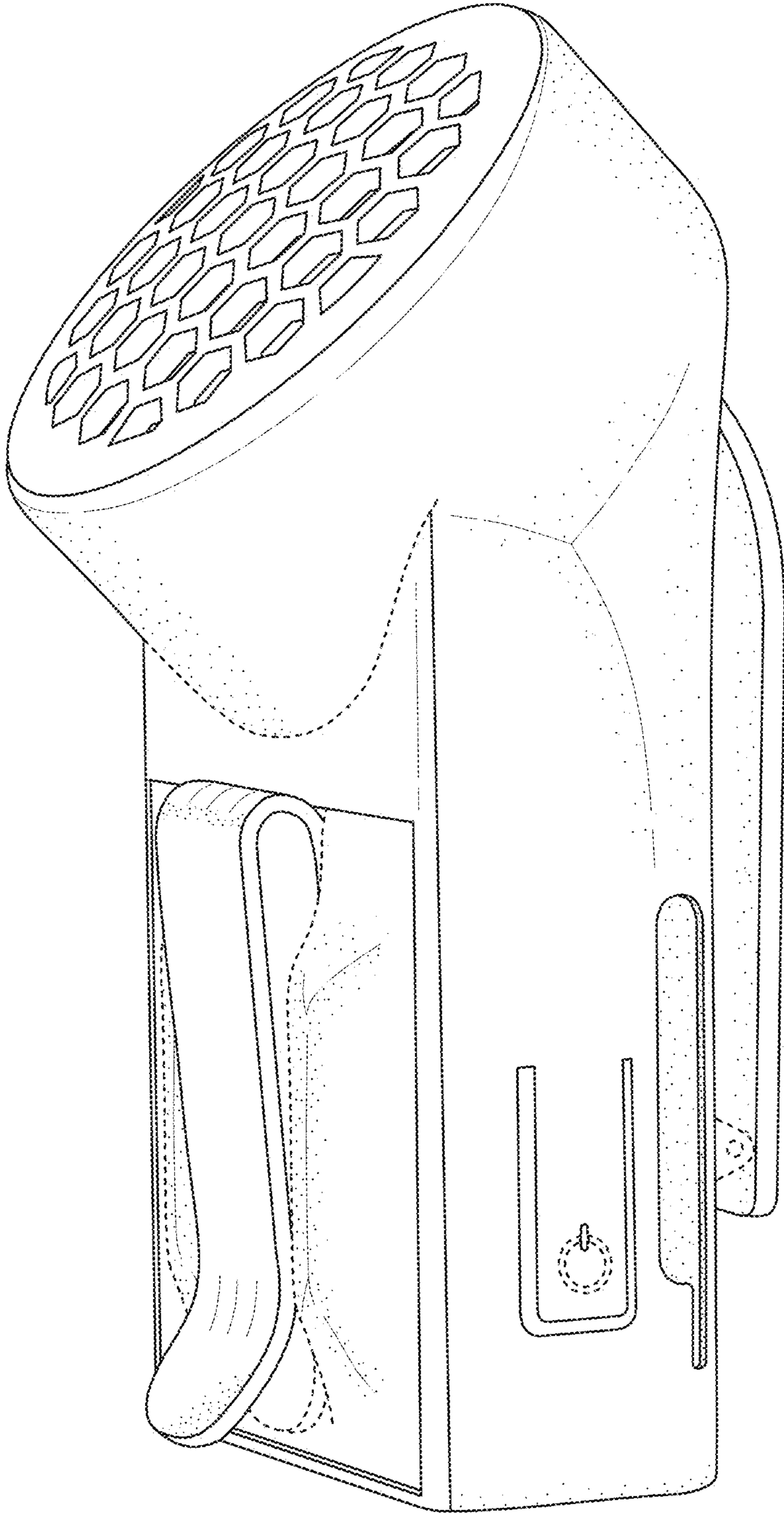


FIG. 1

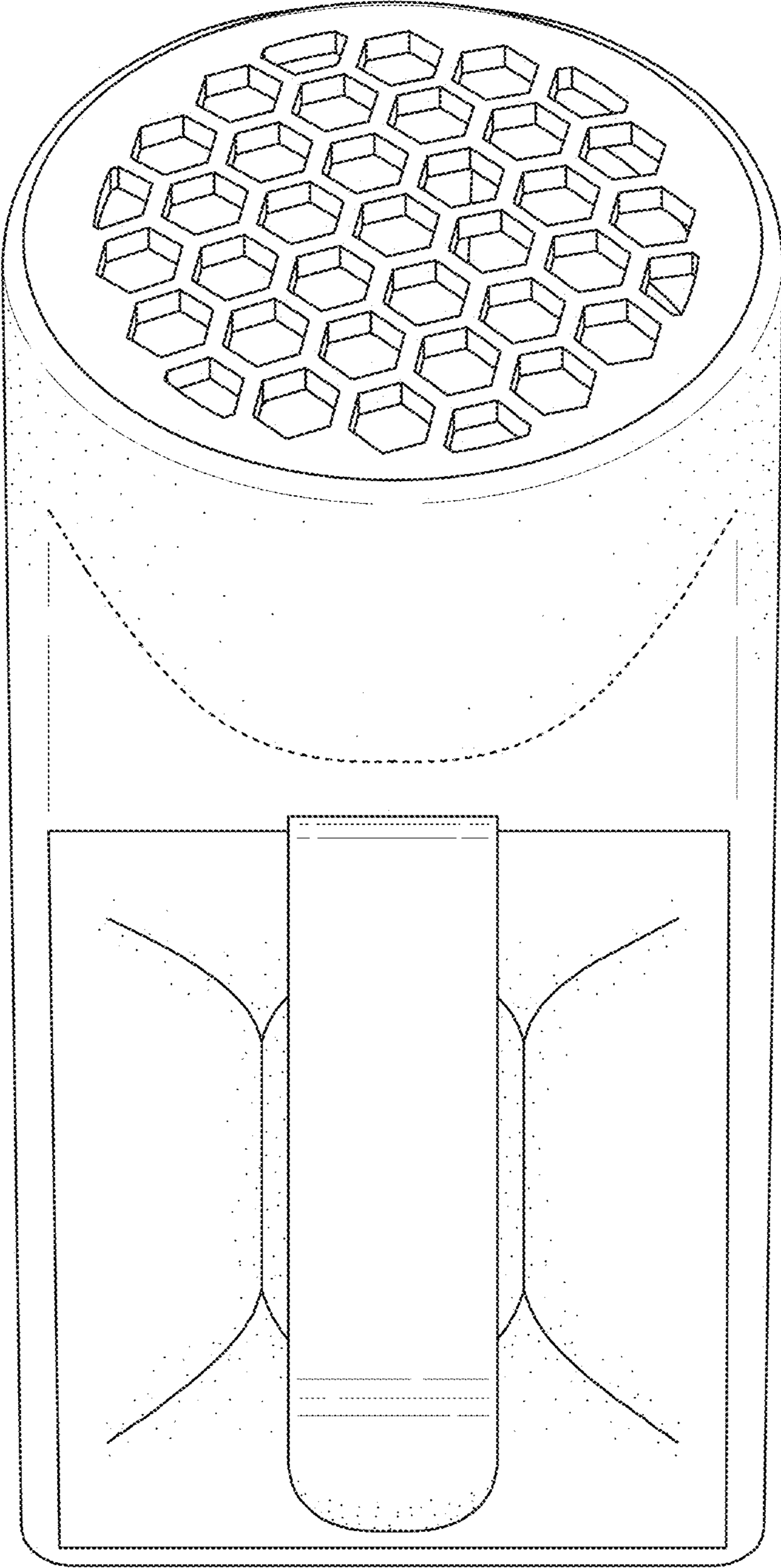


FIG. 2

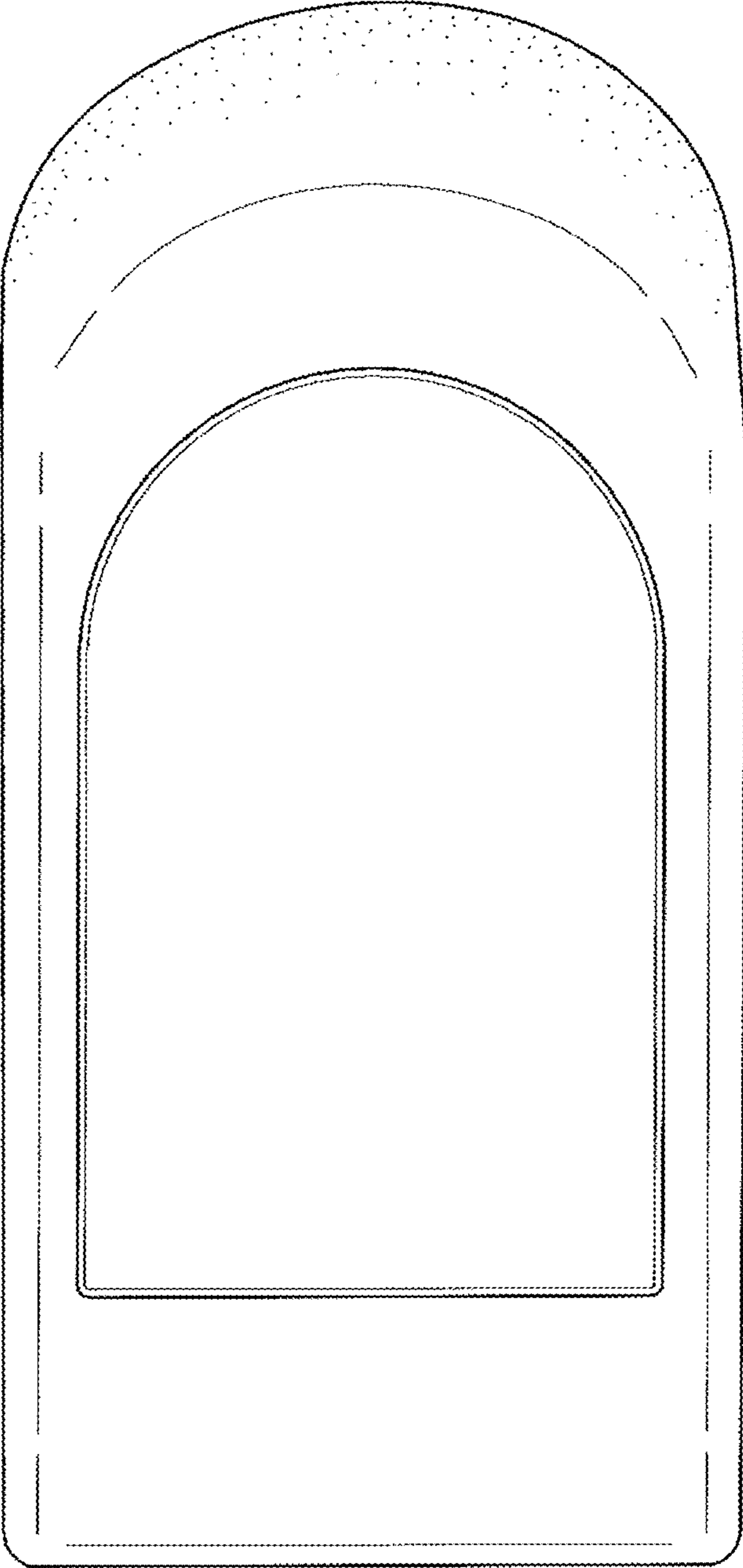


FIG. 3

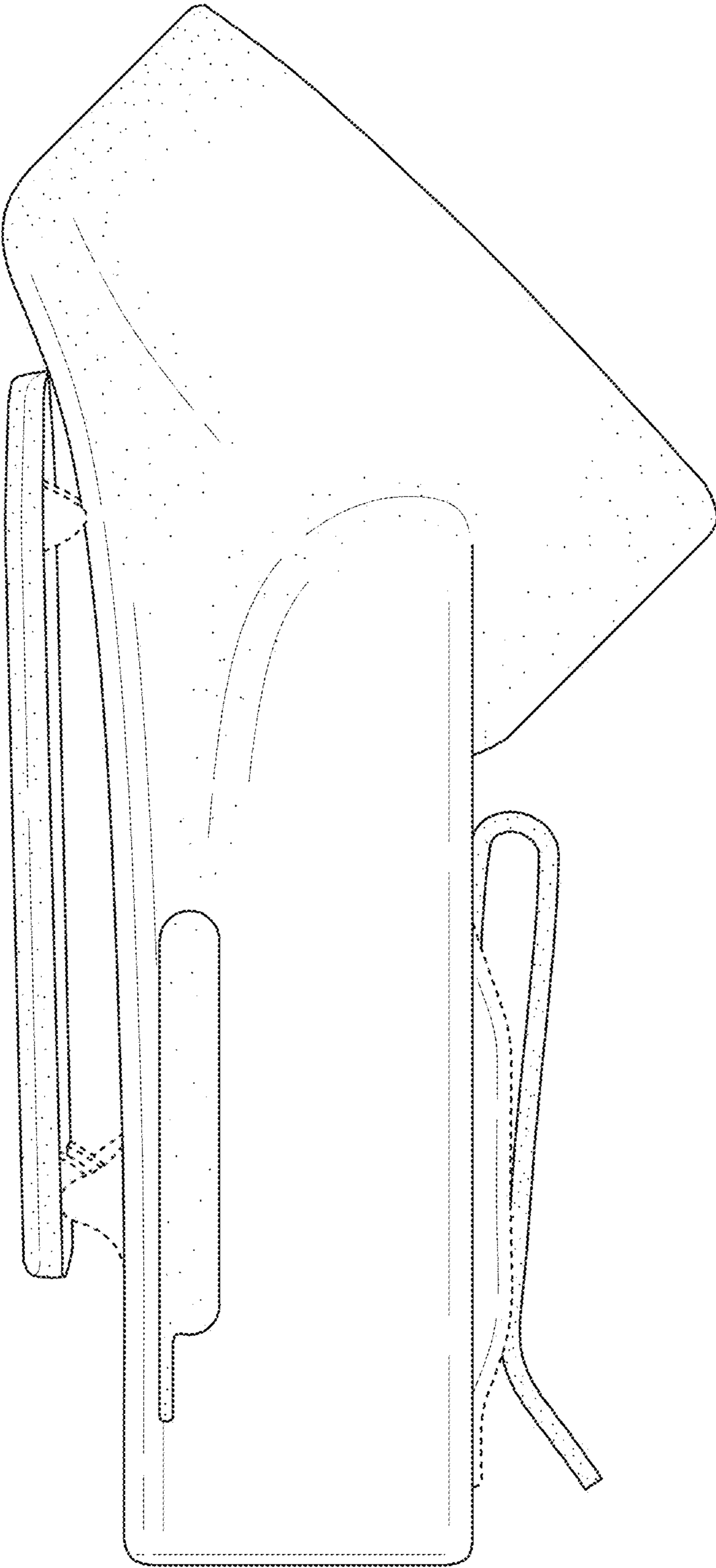


FIG. 4

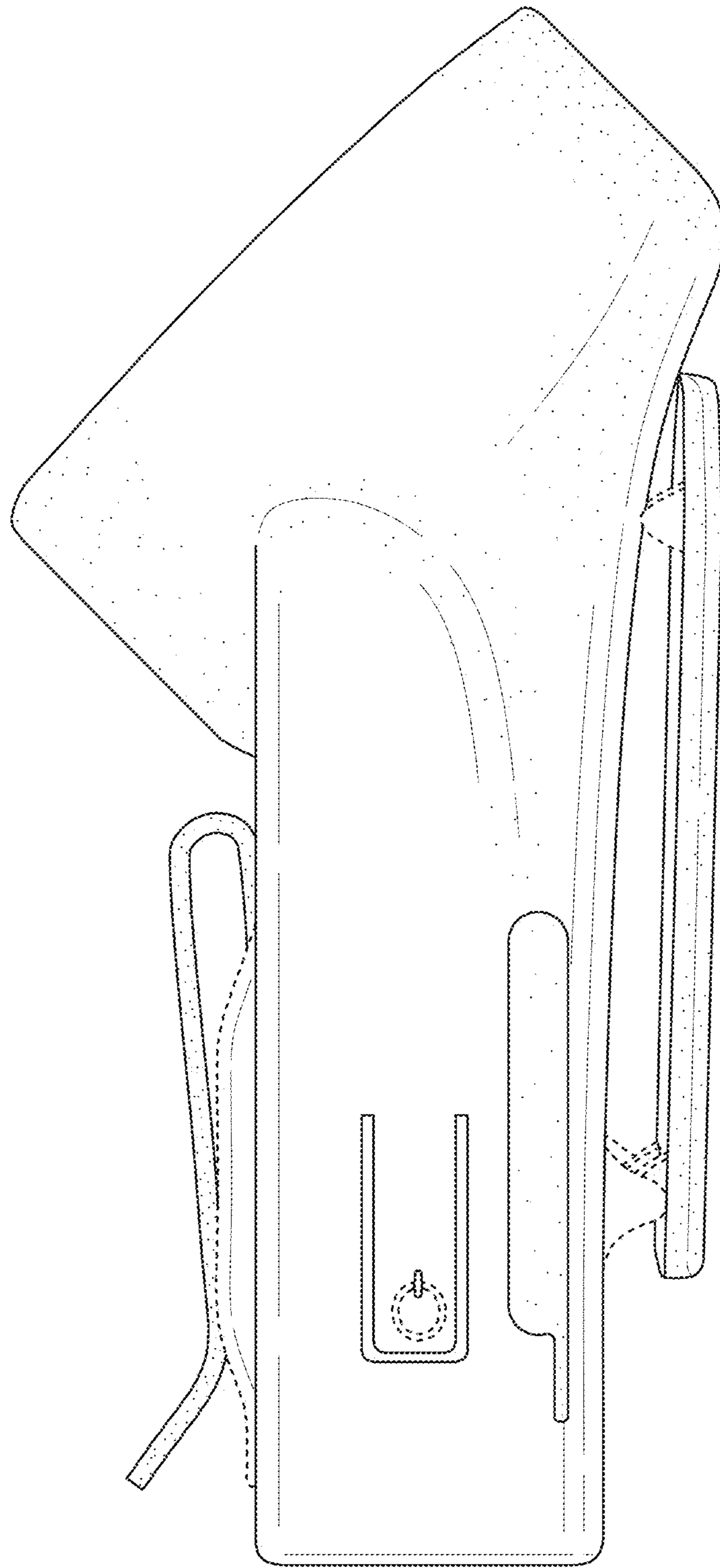


FIG. 5

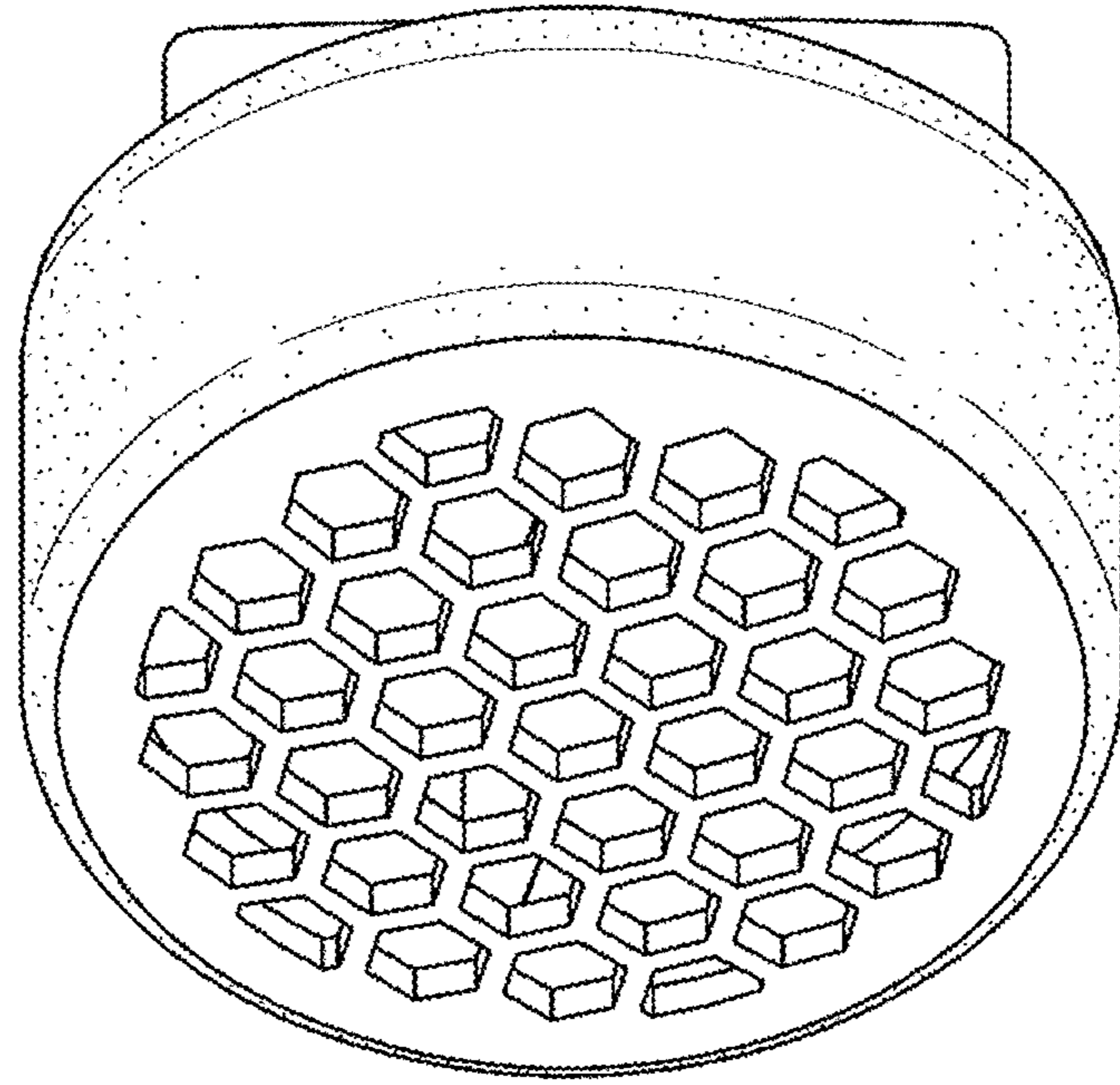


FIG. 6

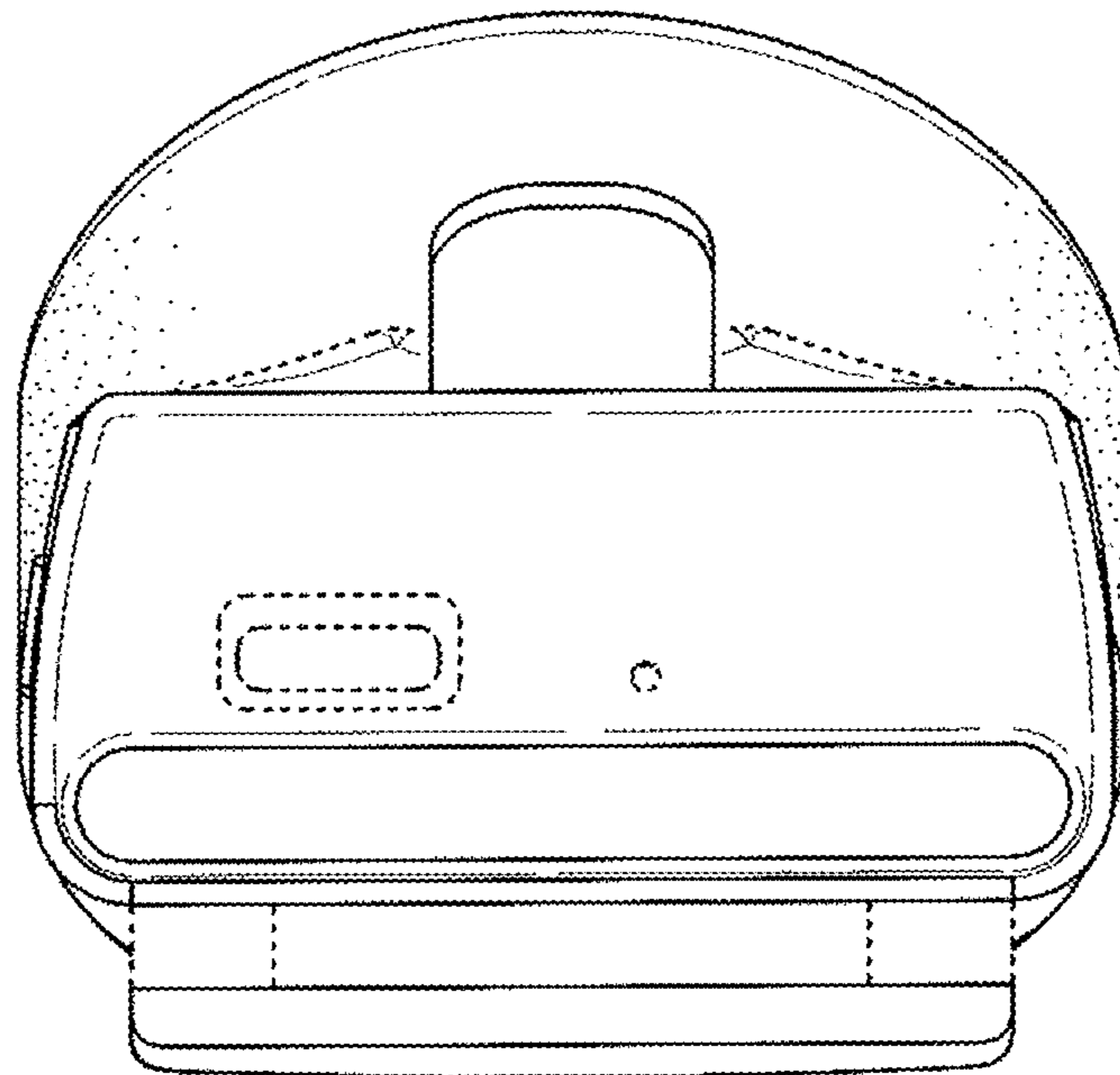


FIG. 7

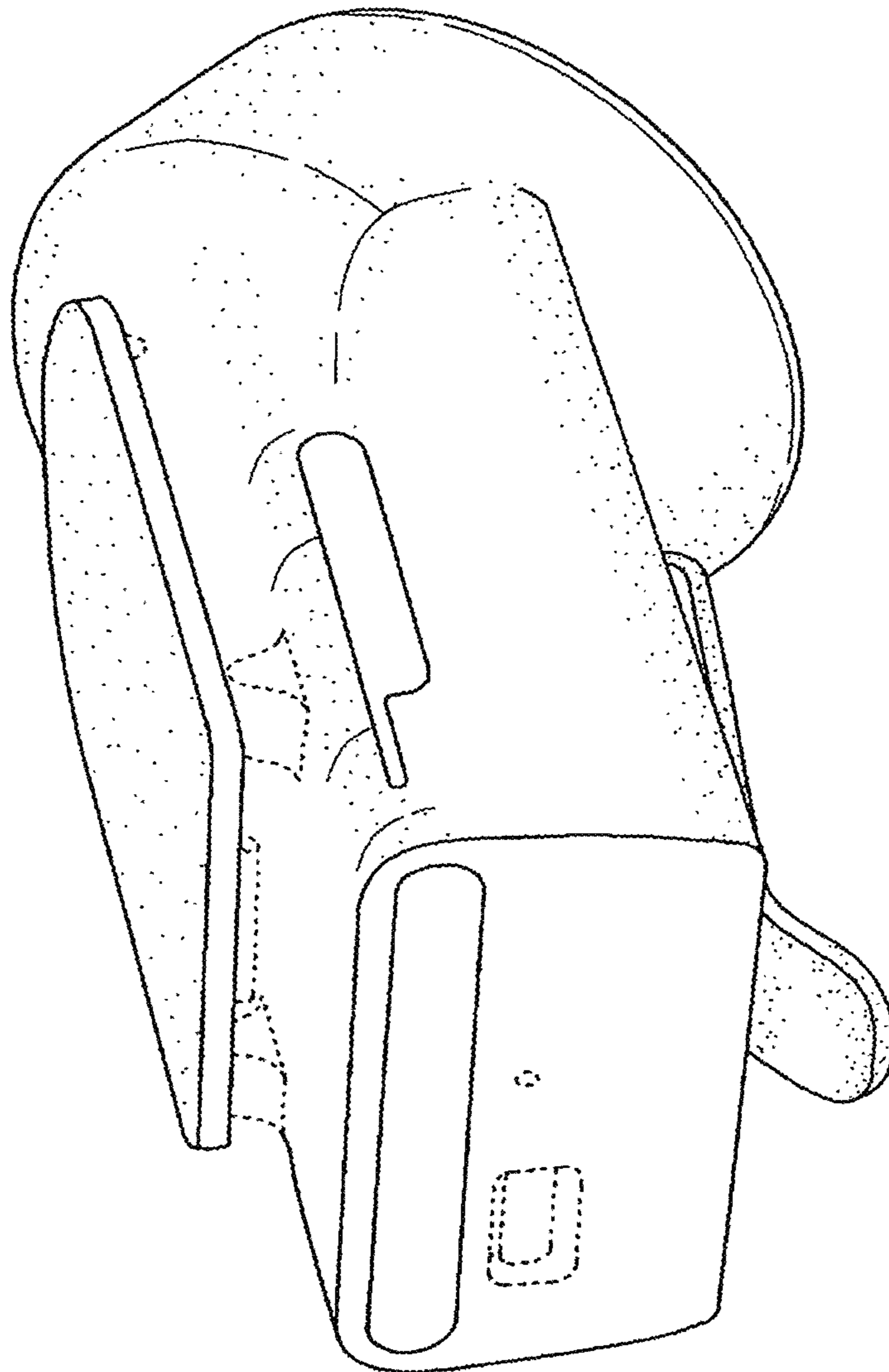


FIG. 8