



US00D874622S

(12) **United States Design Patent** (10) **Patent No.:** **US D874,622 S**
Bowser, Jr. (45) **Date of Patent:** **** *Feb. 4, 2020**

- (54) **COKE OVEN WALL BLOCK ASSEMBLY**
- (71) Applicant: **FOSBEL, INC.**, Brook Park, OH (US)
- (72) Inventor: **Alan E. Bowser, Jr.**, Brook Park, OH (US)
- (73) Assignee: **FOSBEL, INC.**, Brook Park, OH (US)
- (*) Notice: This patent is subject to a terminal disclaimer.
- (**) Term: **15 Years**
- (21) Appl. No.: **29/624,591**
- (22) Filed: **Nov. 2, 2017**

Related U.S. Application Data

- (63) Continuation-in-part of application No. 29/607,533, filed on Jun. 14, 2017, now Pat. No. Des. 833,590.
- (51) **LOC (12) Cl.** **23-03**
- (52) **U.S. Cl.**
USPC **D23/329**
- (58) **Field of Classification Search**
USPC D23/422, 398, 343, 344, 345, 347, 329, D23/314, 322, 499; D15/144, 144.1, D15/144.2, 123, 131; D25/102, 113, 114, D25/115, 116, 117, 118
CPC C10B 5/12; C10B 29/02; C10B 29/06; C10B 3/00; C10B 1/00; C10B 15/00; F27D 1/04; F27D 1/063; F27B 13/08; F27B 13/10; F27B 13/06
See application file for complete search history.

(56) **References Cited**

U.S. PATENT DOCUMENTS

- 1,505,257 A * 8/1924 Griffiths F23M 5/085
110/336
- 2,141,035 A * 12/1938 Daniels C10B 29/02
202/223

- 3,359,184 A * 12/1967 Thiersch C10B 29/02
202/138
- 4,069,633 A * 1/1978 Cooper E04B 2/08
266/283
- 4,478,208 A * 10/1984 Pitha F24B 1/1885
110/336
- 5,227,106 A * 7/1993 Kolvek C10B 29/06
264/125
- 6,066,236 A 5/2000 Gilroy
- 8,266,853 B2 9/2012 Bloom et al.
- 8,640,635 B2 2/2014 Bloom et al.
- 2008/0169578 A1* 7/2008 Crane C10B 23/02
264/30
- 2016/0145494 A1 5/2016 Bowser, Jr.

* cited by examiner

Primary Examiner — T Chase Nelson

Assistant Examiner — Ania Aman

(74) *Attorney, Agent, or Firm* — Nixon & Vanderhye P.C.

(57) **CLAIM**

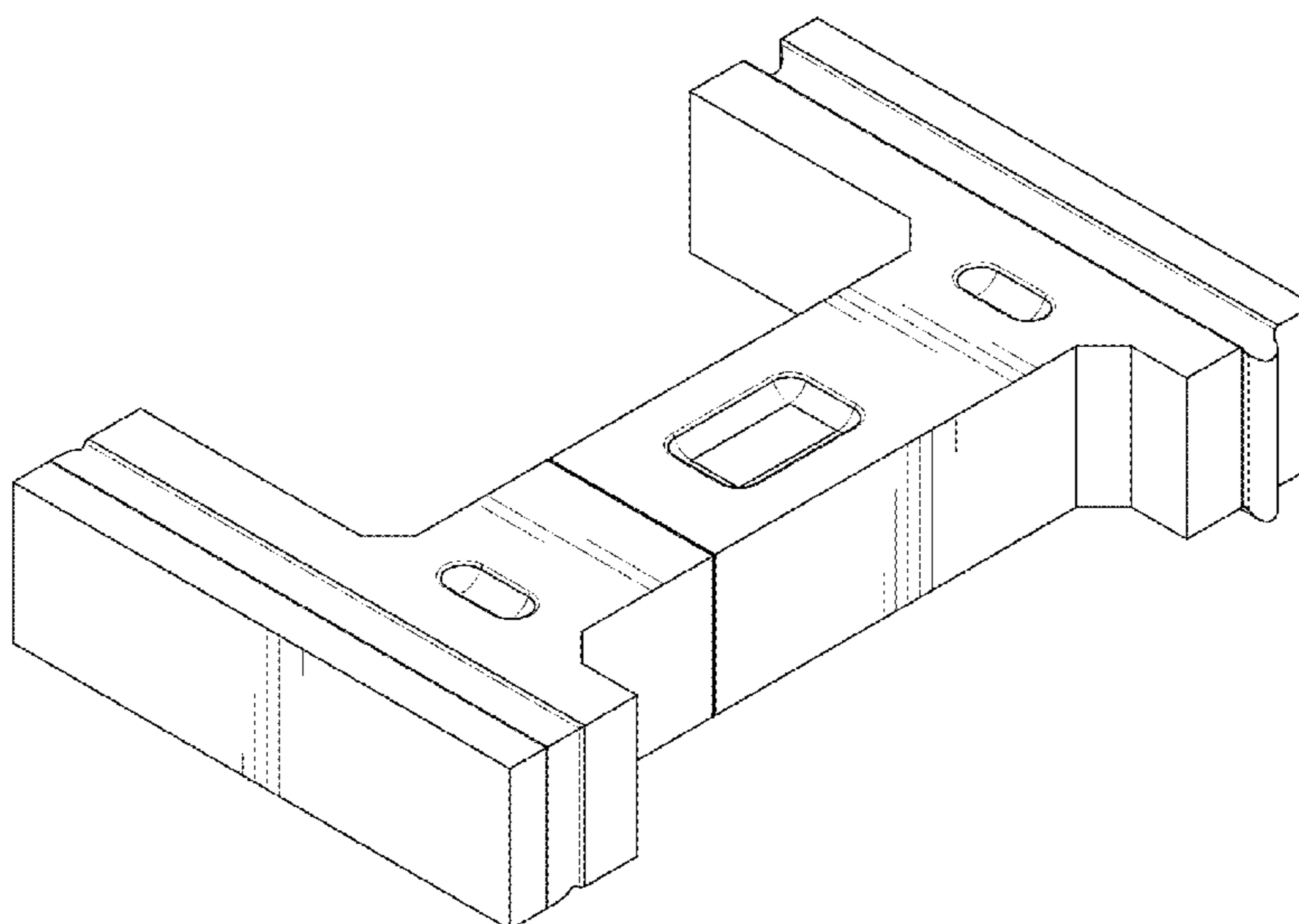
The ornamental design for a “coke oven wall block assembly”, as shown and described.

DESCRIPTION

This application may be deemed to be related to copending and commonly owned U.S. Utility patent application Ser. No. 15/622,384 filed on Jun. 14, 2017, the entire content of each being expressly incorporated hereinto by reference.

FIG. 1 is a left top front perspective view thereof;
 FIG. 2 is a right top front perspective view of thereof;
 FIG. 3 is a right top rear perspective view thereof;
 FIG. 4 is a left top rear perspective view thereof;
 FIG. 5 is a bottom perspective view thereof;
 FIG. 6 is a front elevation view thereof;
 FIG. 7 is a rear elevation view thereof;
 FIG. 8 is a top plan view thereof;
 FIG. 9 is a bottom plan view thereof;
 FIG. 10 is a right side elevation view thereof; and,
 FIG. 11 is a left side elevation view thereof.

1 Claim, 6 Drawing Sheets



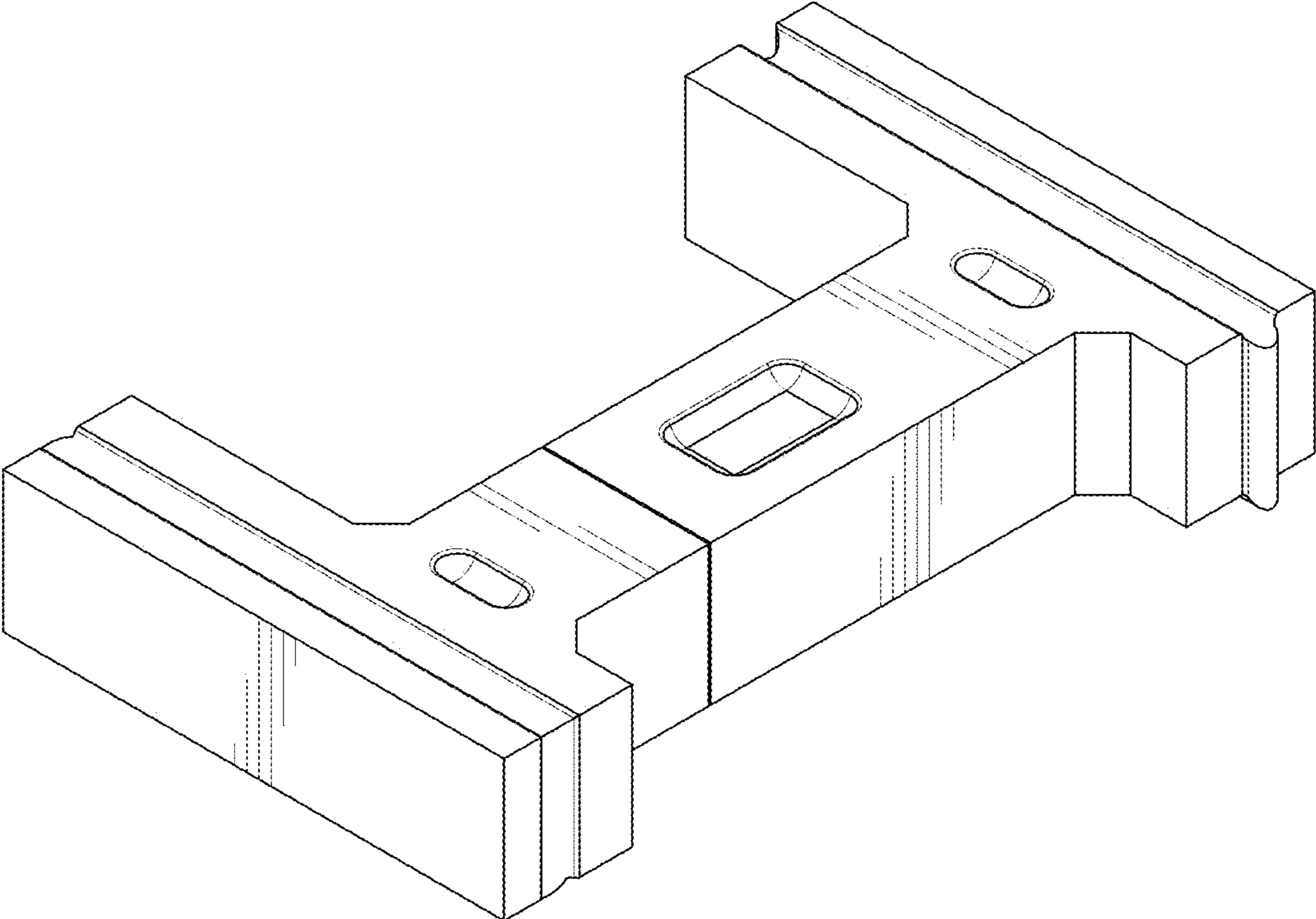


Fig. 1

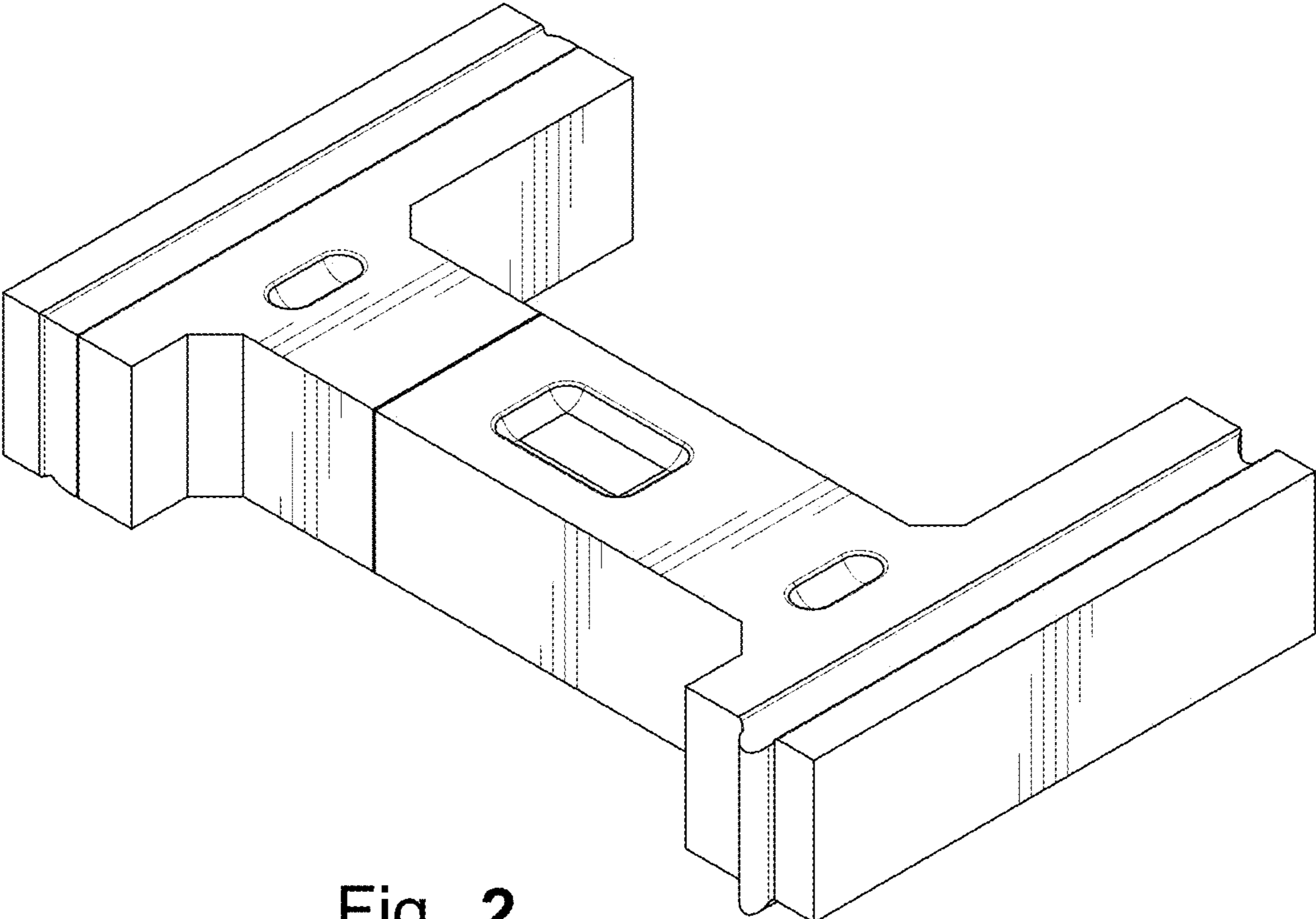


Fig. 2

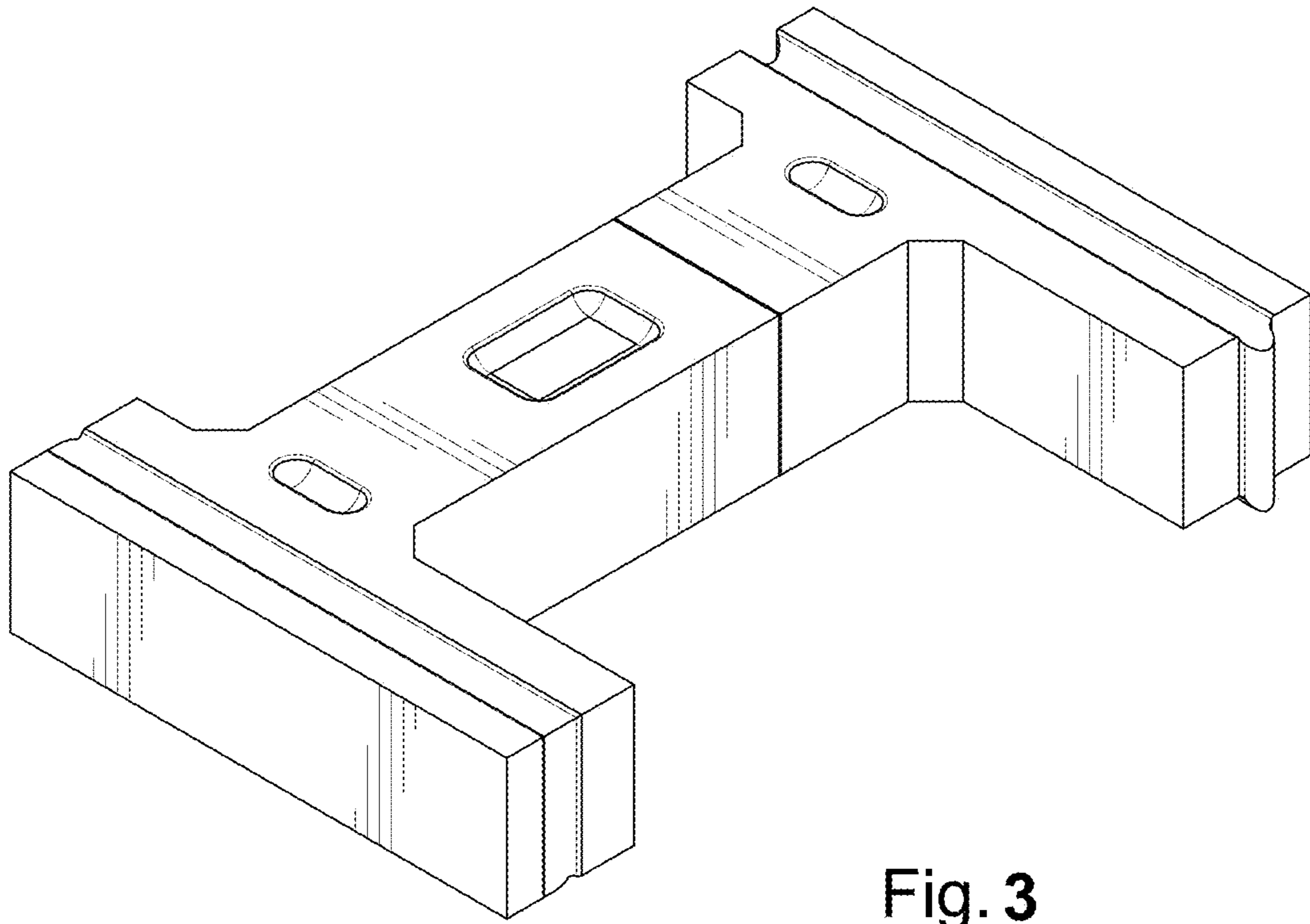


Fig. 3

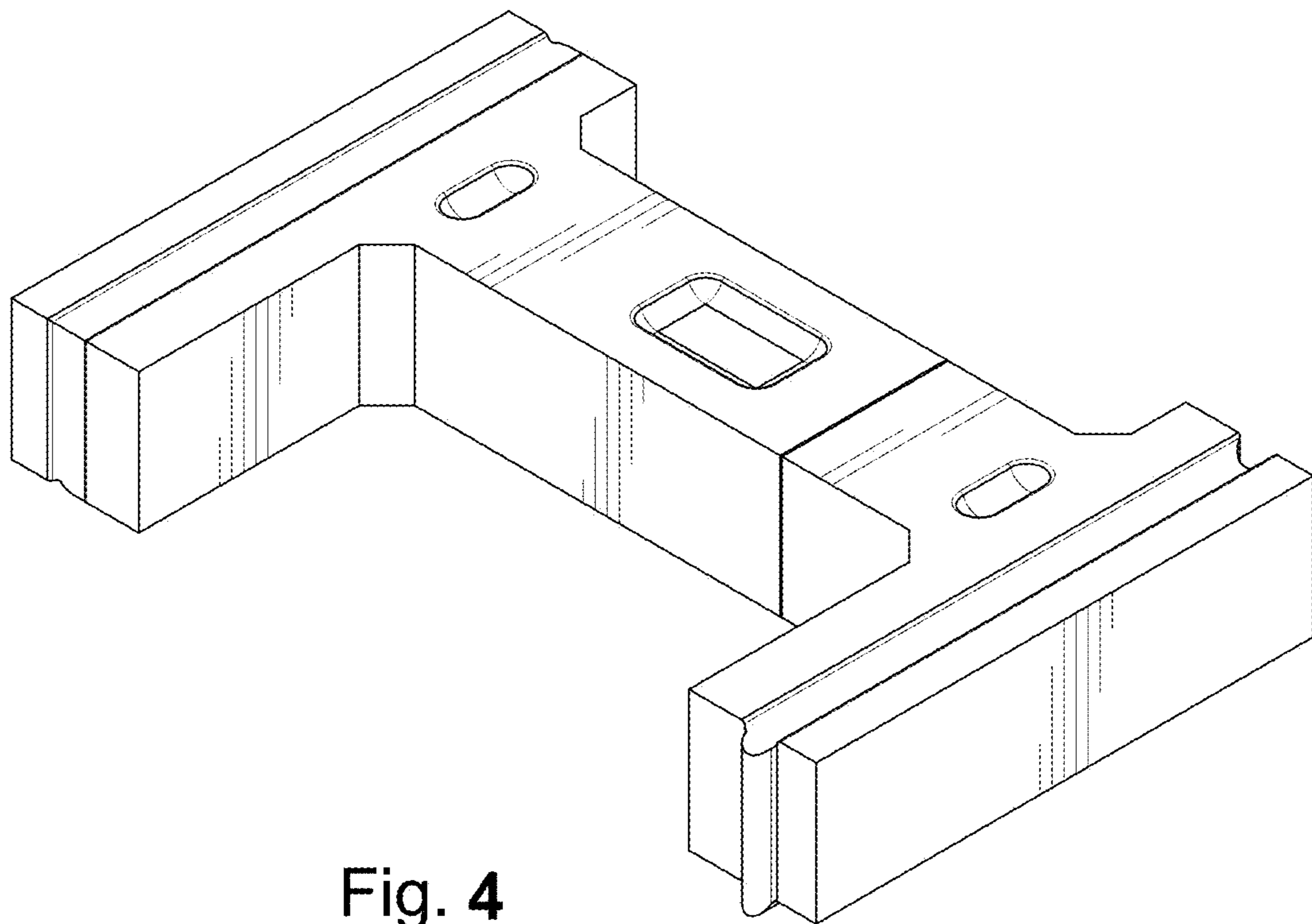


Fig. 4

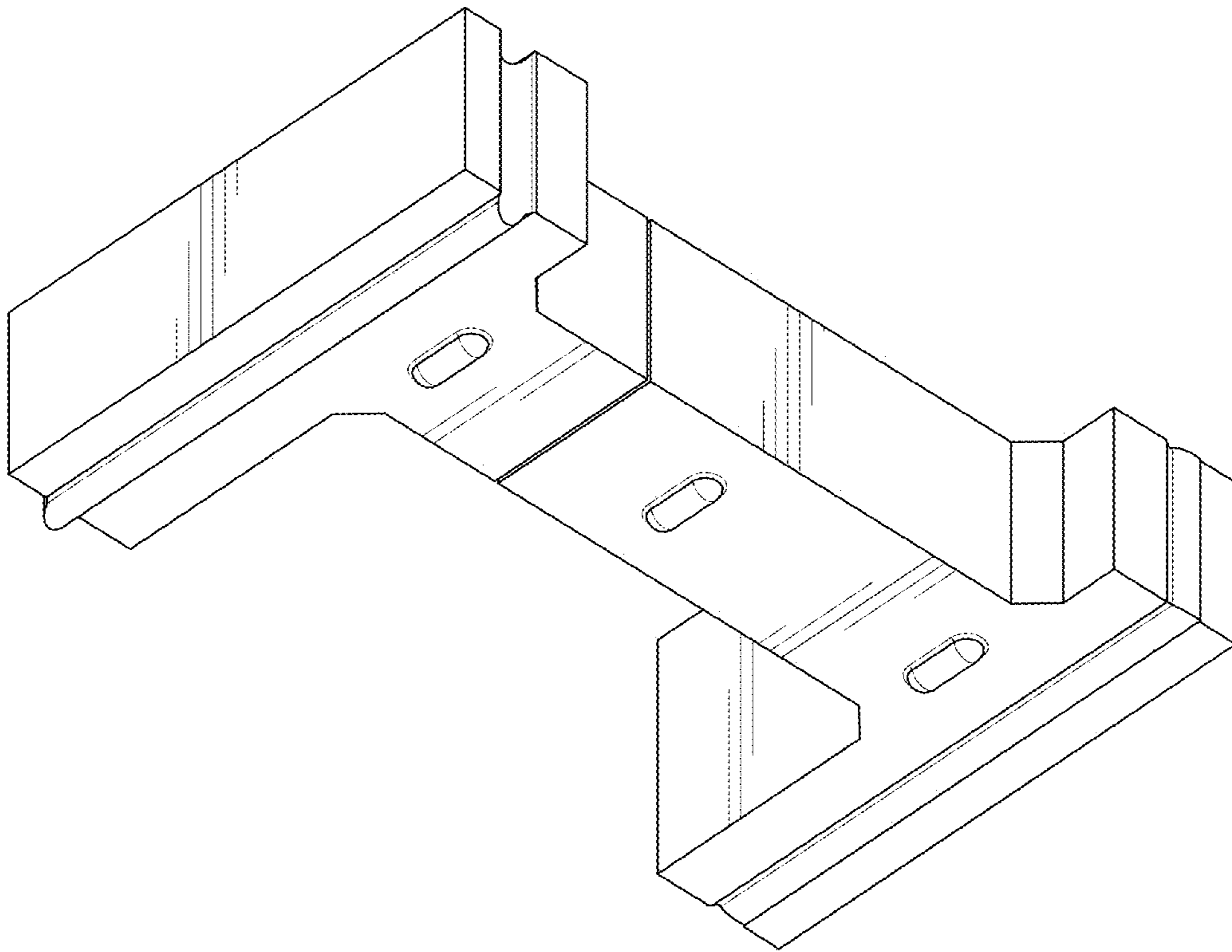


Fig. 5

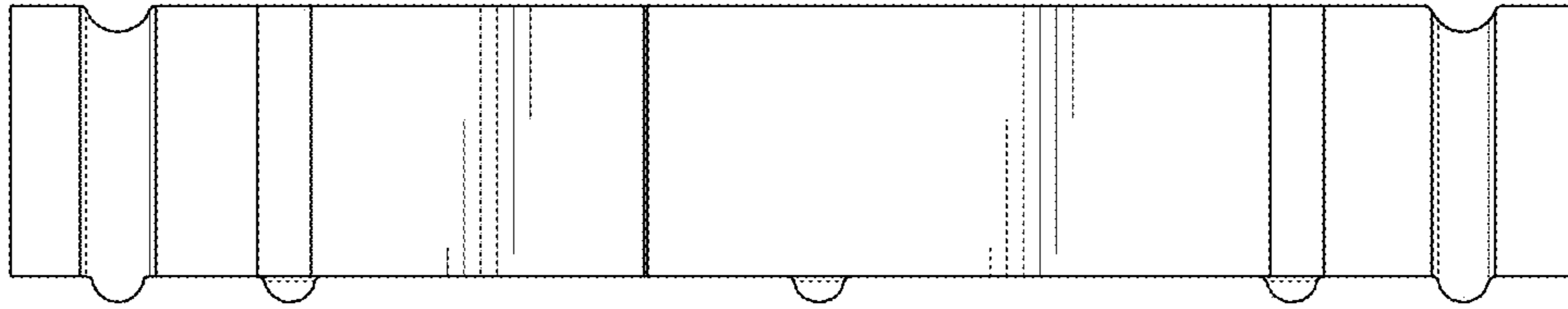


Fig. 6

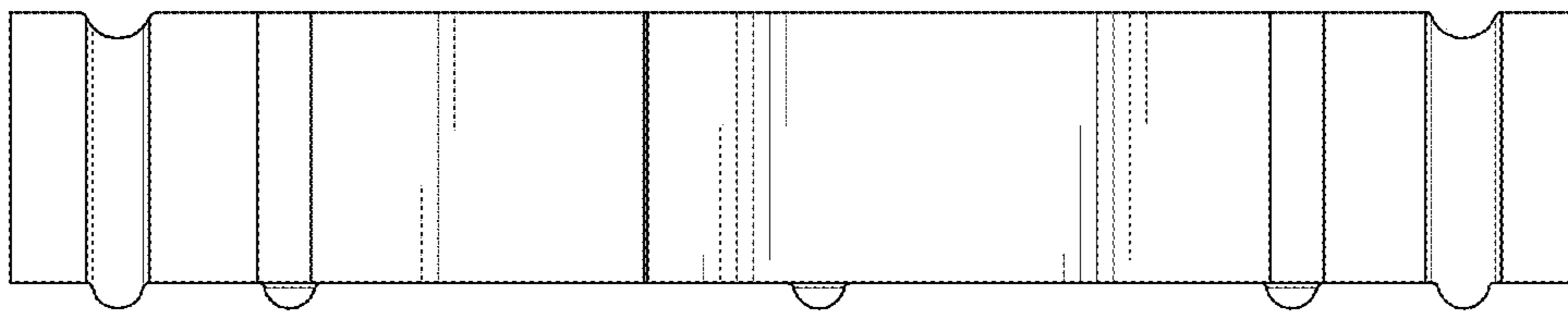


Fig. 7

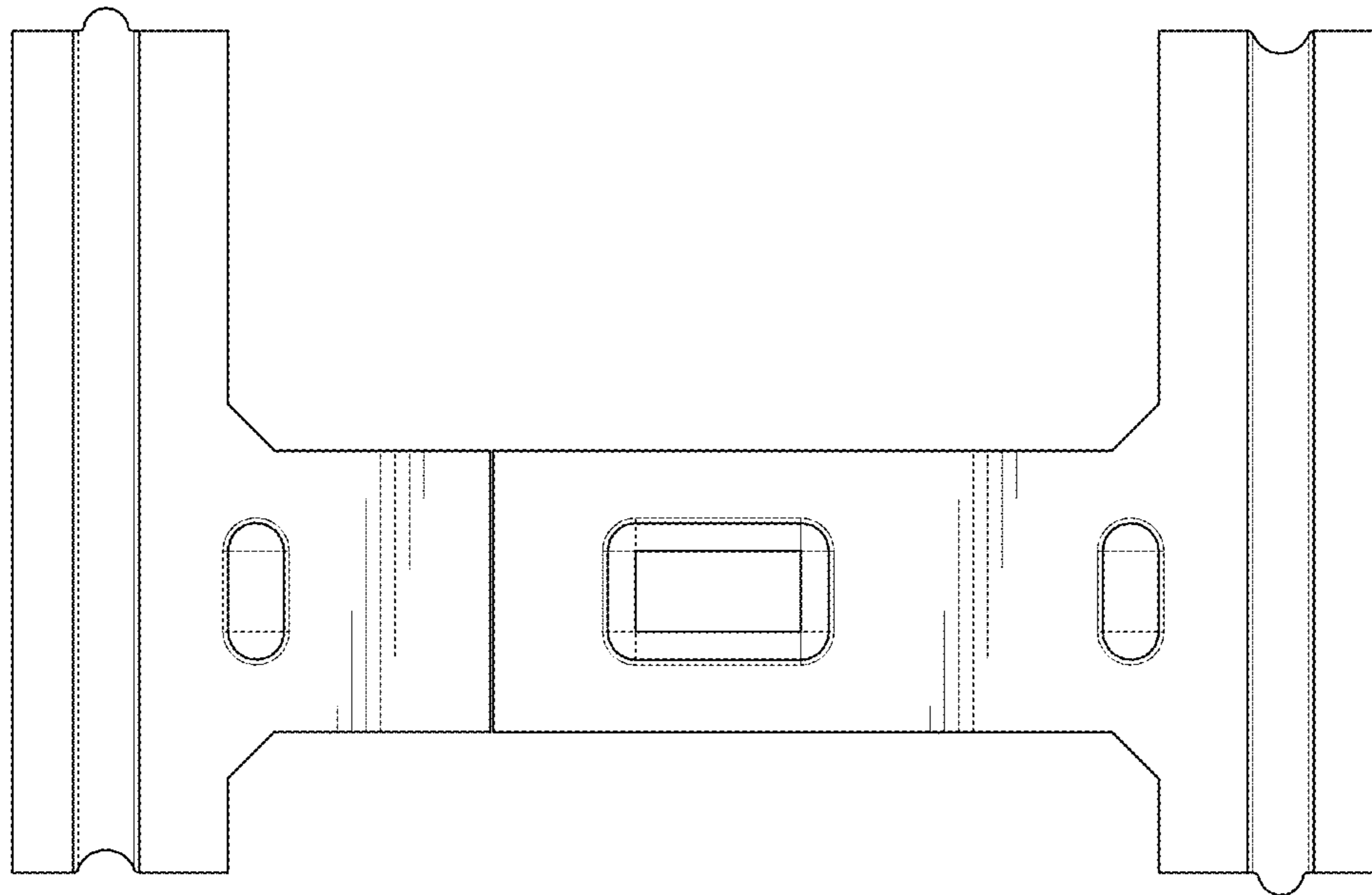


Fig. 8

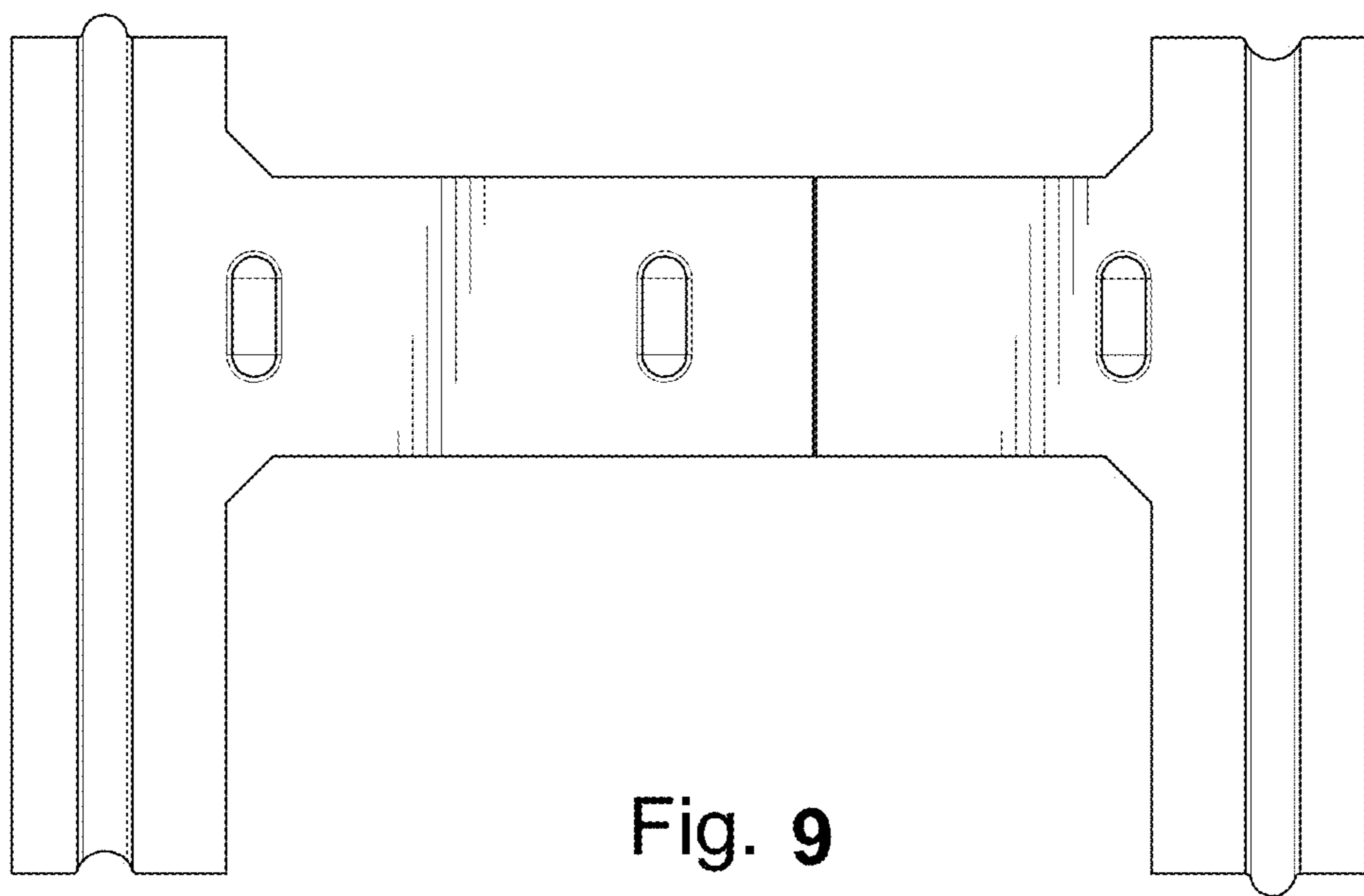


Fig. 9

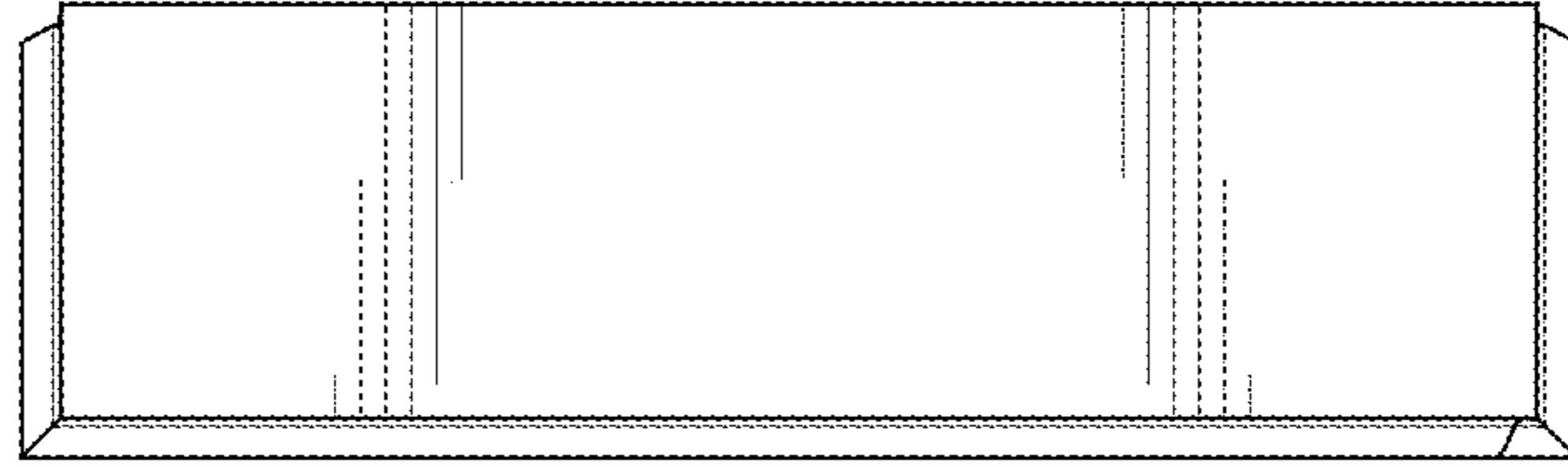


Fig. 10

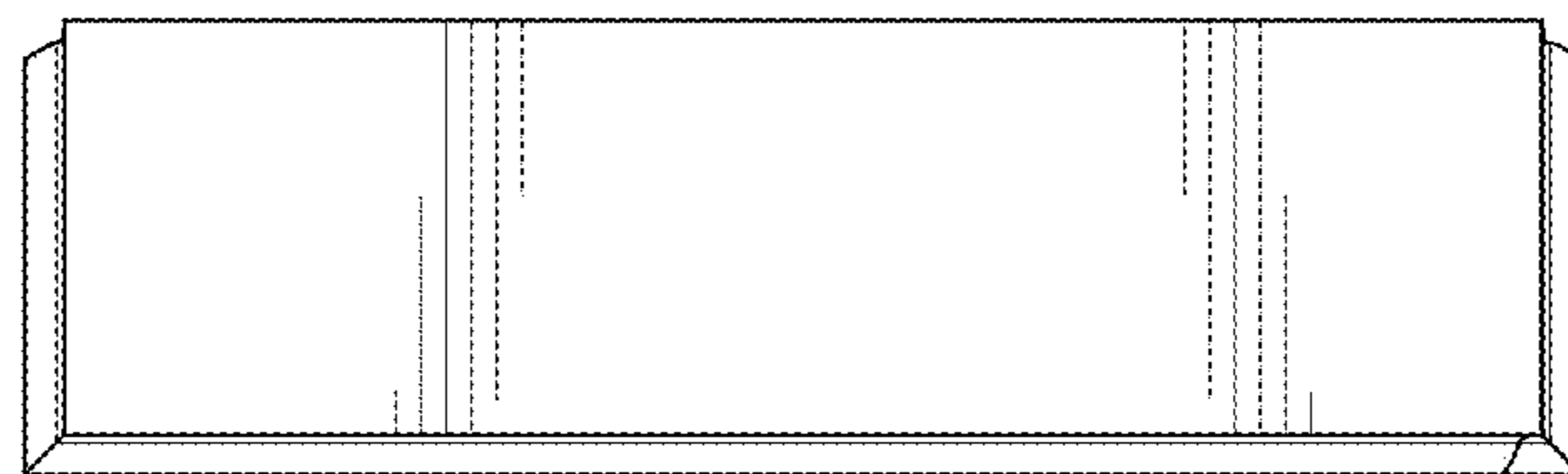


Fig. 11