



US00D874621S

(12) **United States Design Patent**
Gupta

(10) **Patent No.:** **US D874,621 S**

(45) **Date of Patent:** **** Feb. 4, 2020**

(54) **BIDET APPARATUS WITH A STRAIGHT ARM ATTACHMENT AND CONTROL PANEL**

(71) Applicant: **Anjum Gupta**, San Diego, CA (US)

(72) Inventor: **Anjum Gupta**, San Diego, CA (US)

(**) Term: **15 Years**

(21) Appl. No.: **29/667,555**

(22) Filed: **Oct. 23, 2018**

(51) **LOC (12) Cl.** **23-02**

(52) **U.S. Cl.**
USPC **D23/309**

(58) **Field of Classification Search**
USPC D23/303, 309–312, 295–296, 299
(Continued)

(56) **References Cited**

U.S. PATENT DOCUMENTS

D377,680 S * 1/1997 Kimber D23/303
5,647,069 A * 7/1997 Han E03D 9/08
4/420.2

(Continued)

Primary Examiner — Robert A Delehanty

(57) **CLAIM**

The ornamental design for a bidet apparatus with a straight arm attachment and control panel, as shown herein.

DESCRIPTION

FIG. 1 is a top perspective view of a bidet apparatus with a straight arm attachment and control panel with a single knob;

FIG. 2 is a bottom perspective view of a bidet apparatus with a straight arm attachment and control panel with a single knob;

FIG. 3 is a front perspective view of a bidet apparatus with a straight arm attachment and control panel with a single knob;

FIG. 4 is a rear perspective view of a bidet apparatus with a straight arm attachment and control panel with a single knob;

FIG. 5 is a left side perspective view of a bidet apparatus with a straight arm attachment and control panel with a single knob;

FIG. 6 is a right side perspective view of a bidet apparatus with a straight arm attachment and control panel with a single knob;

FIG. 7 is a top front perspective view of a bidet apparatus with a straight arm attachment and control panel with a single knob;

FIG. 8 is a top rear perspective view of a bidet apparatus with a straight arm attachment and control panel with a single knob;

FIG. 9 is a top left side perspective view of a bidet apparatus with a straight arm attachment and control panel with a single knob;

FIG. 10 is a top right side perspective view of a bidet apparatus with a straight arm attachment and control panel with a single knob;

FIG. 11 is a bottom front perspective view of a bidet apparatus with a straight arm attachment and control panel with a single knob;

FIG. 12 is a bottom rear perspective view of a bidet apparatus with a straight arm attachment and control panel with a single knob;

FIG. 13 is a bottom left side perspective view of a bidet apparatus with a straight arm attachment and control panel with a single knob;

FIG. 14 is a bottom right side perspective view of a bidet apparatus with a straight arm attachment and control panel with a single knob;

FIG. 15 is a top perspective view of a bidet apparatus with a straight arm attachment and control panel with a double knob;

FIG. 16 is a bottom perspective view of a bidet apparatus with a straight arm attachment and control panel with a double knob;

FIG. 17 is a front perspective view of a bidet apparatus with a straight arm attachment and control panel with a double knob;

(Continued)

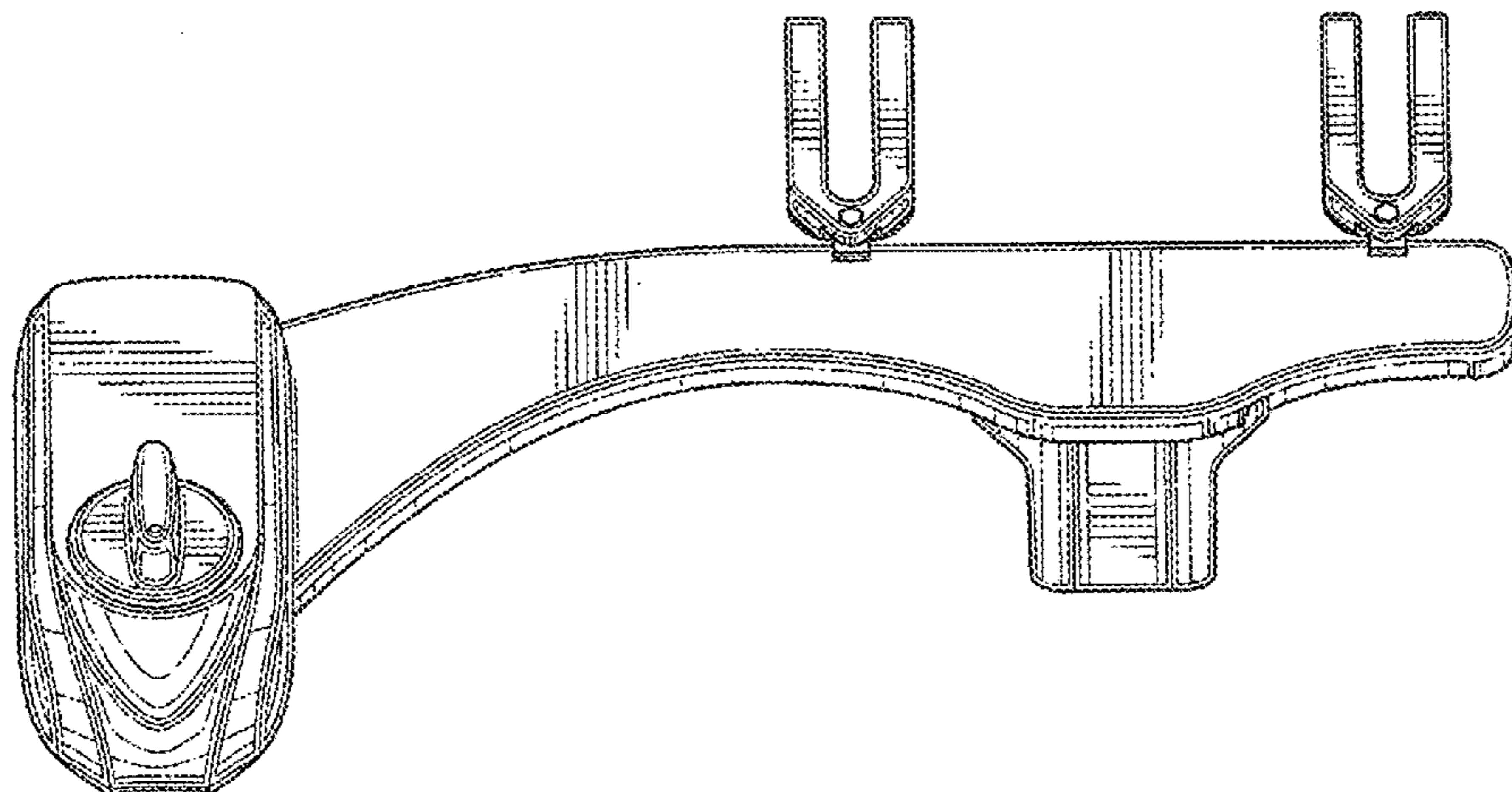


FIG. 18 is a rear perspective view of a bidet apparatus with a straight arm attachment and control panel with a double knob;
 FIG. 19 is a left side perspective view of a bidet apparatus with a straight arm attachment and control panel with a double knob;
 FIG. 20 is a right side perspective view of a bidet apparatus with a straight arm attachment and control panel with a double knob;
 FIG. 21 is a top front perspective view of a bidet apparatus with a straight arm attachment and control panel with a double knob;
 FIG. 22 is a top rear perspective view of a bidet apparatus with a straight arm attachment and control panel with a double knob;
 FIG. 23 is a top left side perspective view of a bidet apparatus with a straight arm attachment and control panel with a double knob;
 FIG. 24 is a top right side perspective view of a bidet apparatus with a straight arm attachment and control panel with a double knob;
 FIG. 25 is a bottom front perspective view of a bidet apparatus with a straight arm attachment and control panel with a double knob;
 FIG. 26 is a bottom rear perspective view of a bidet apparatus with a straight arm attachment and control panel with a double knob;
 FIG. 27 is a bottom left side perspective view of a bidet apparatus with a straight arm attachment and control panel with a double knob;
 FIG. 28 is a bottom right side perspective view of a bidet apparatus with a straight arm attachment and control panel with a double knob;
 FIG. 29 is a top perspective view of a bidet apparatus with a straight arm attachment and control panel with a triple knob;
 FIG. 30 is a bottom perspective view of a bidet apparatus with a straight arm attachment and control panel with a triple knob;
 FIG. 31 is a front perspective view of a bidet apparatus with a straight arm attachment and control panel with a triple knob;
 FIG. 32 is a rear perspective view of a bidet apparatus with a straight arm attachment and control panel with a triple knob;
 FIG. 33 is a left side perspective view of a bidet apparatus with a straight arm attachment and control panel with a triple knob;
 FIG. 34 is a right side perspective view of a bidet apparatus with a straight arm attachment and control panel with a triple knob;

FIG. 35 is a top front perspective view of a bidet apparatus with a straight arm attachment and control panel with a triple knob;
 FIG. 36 is a top rear perspective view of a bidet apparatus with a straight arm attachment and control panel with a triple knob;
 FIG. 37 is a top left side perspective view of a bidet apparatus with a straight arm attachment and control panel with a triple knob;
 FIG. 38 is a top right side perspective view of a bidet apparatus with a straight arm attachment and control panel with a triple knob;
 FIG. 39 is a bottom front perspective view of a bidet apparatus with a straight arm attachment and control panel with a triple knob;
 FIG. 40 is a bottom rear perspective view of a bidet apparatus with a straight arm attachment and control panel with a triple knob;
 FIG. 41 is a bottom left side perspective view of a bidet apparatus with a straight arm attachment and control panel with a triple knob; and,
 FIG. 42 is a bottom right side perspective view of a bidet apparatus with a straight arm attachment and control panel with a triple knob.
 As shown in these figures, any broken lines are for environmental purposes only and form no part of the claimed design. The design shown is not to be limited to any particular size and may be scaled larger or smaller.

1 Claim, 36 Drawing Sheets

(58) **Field of Classification Search**
 CPC A47K 13/00; A47K 13/05
 See application file for complete search history.

(56) **References Cited**

U.S. PATENT DOCUMENTS

5,647,070	A *	7/1997	Yu	E03D 9/08
					4/420.4
8,261,377	B2 *	9/2012	Oh	E03D 9/08
					4/420.5
8,296,872	B2 *	10/2012	Yao	E03D 9/08
					4/420.2
D714,428	S *	9/2014	Gupta	D23/309
9,637,903	B2 *	5/2017	Gupta	A47K 13/26
9,745,732	B2 *	8/2017	Suggs	A47K 13/26

* cited by examiner

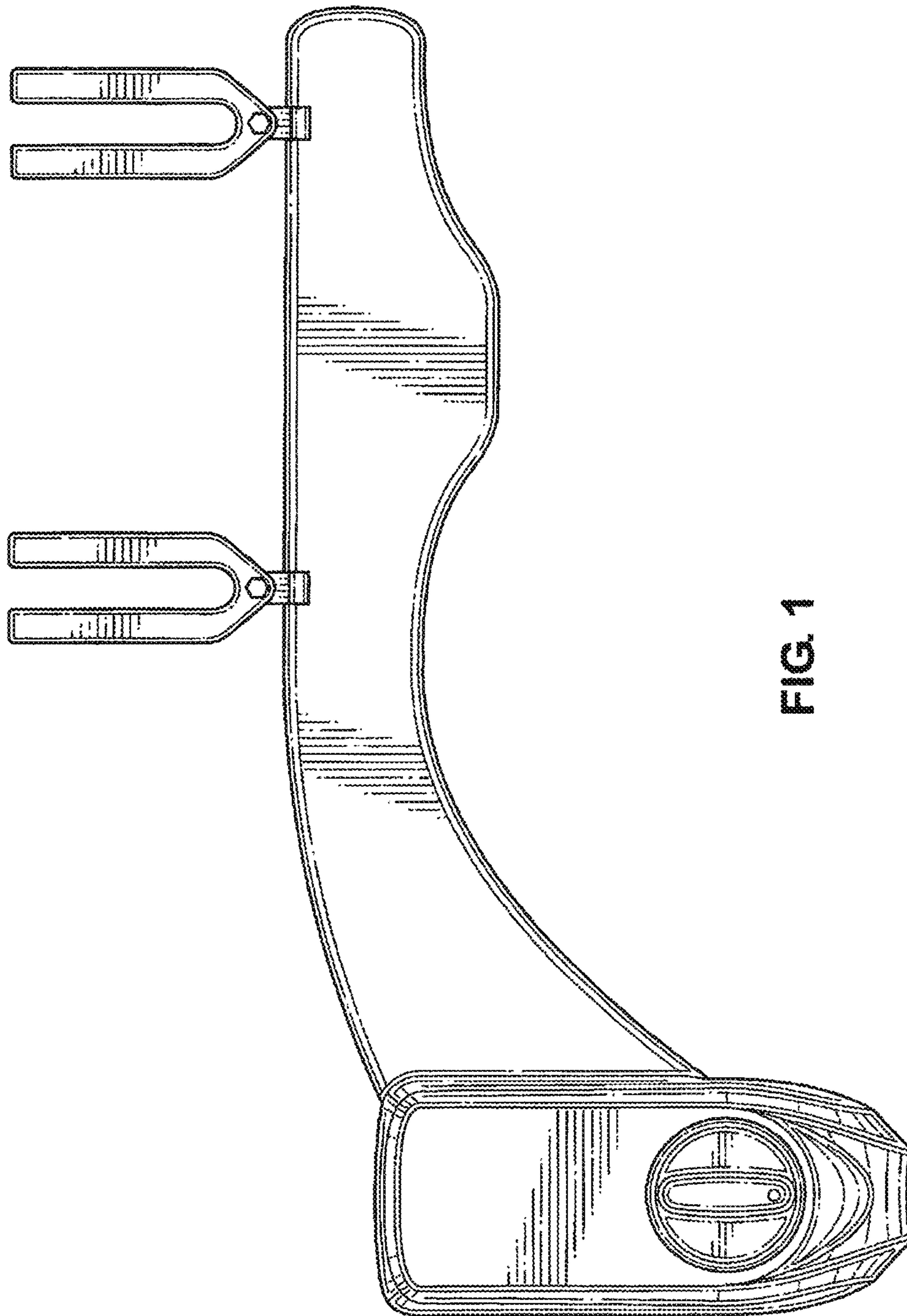


FIG. 1

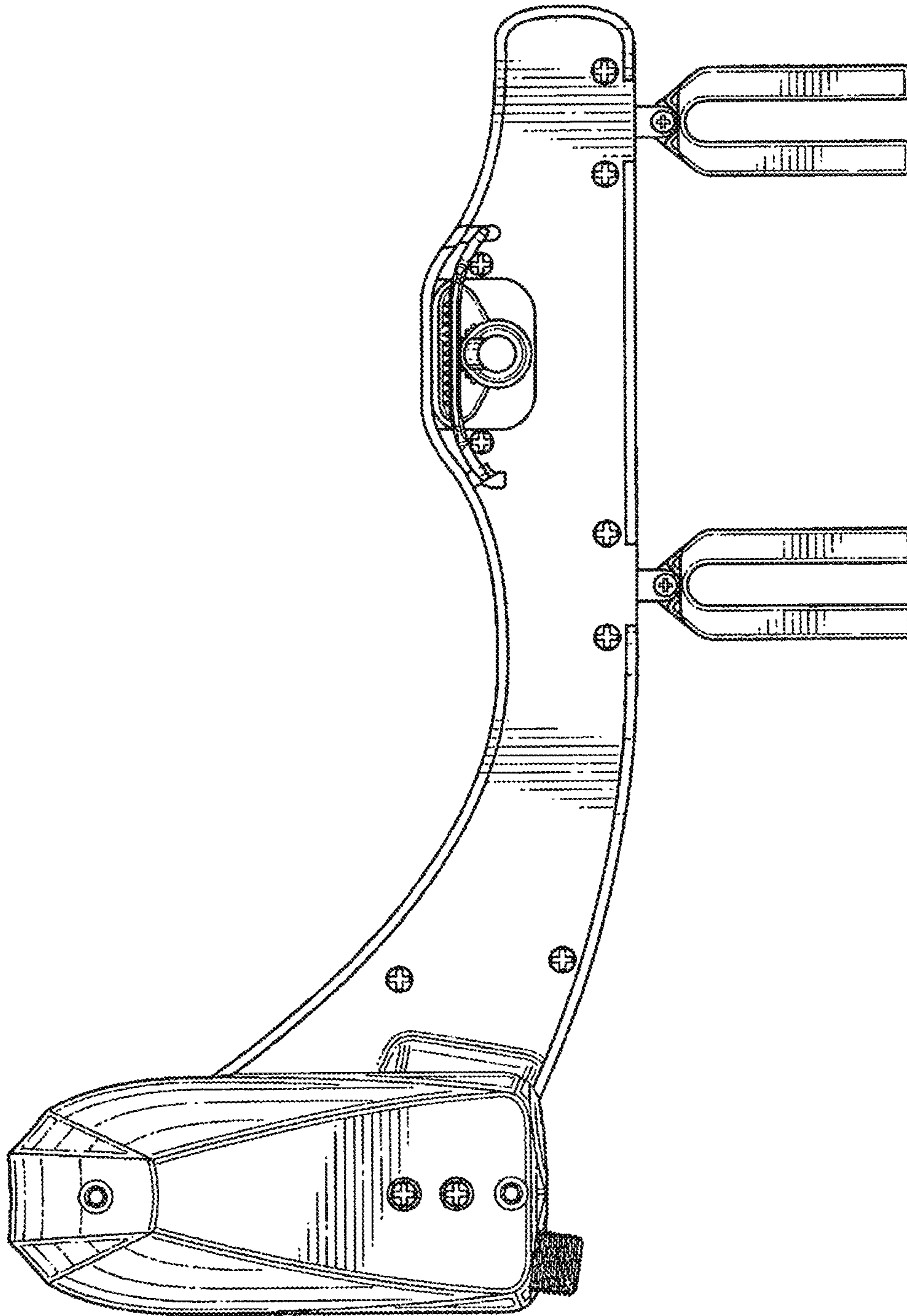


FIG. 2

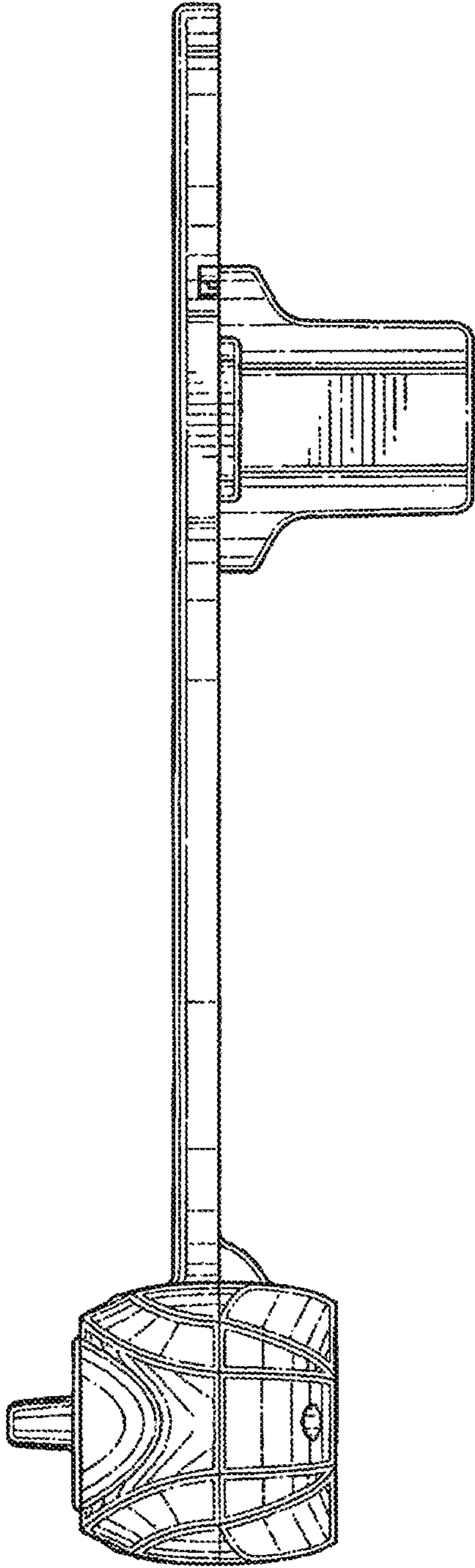


FIG. 3

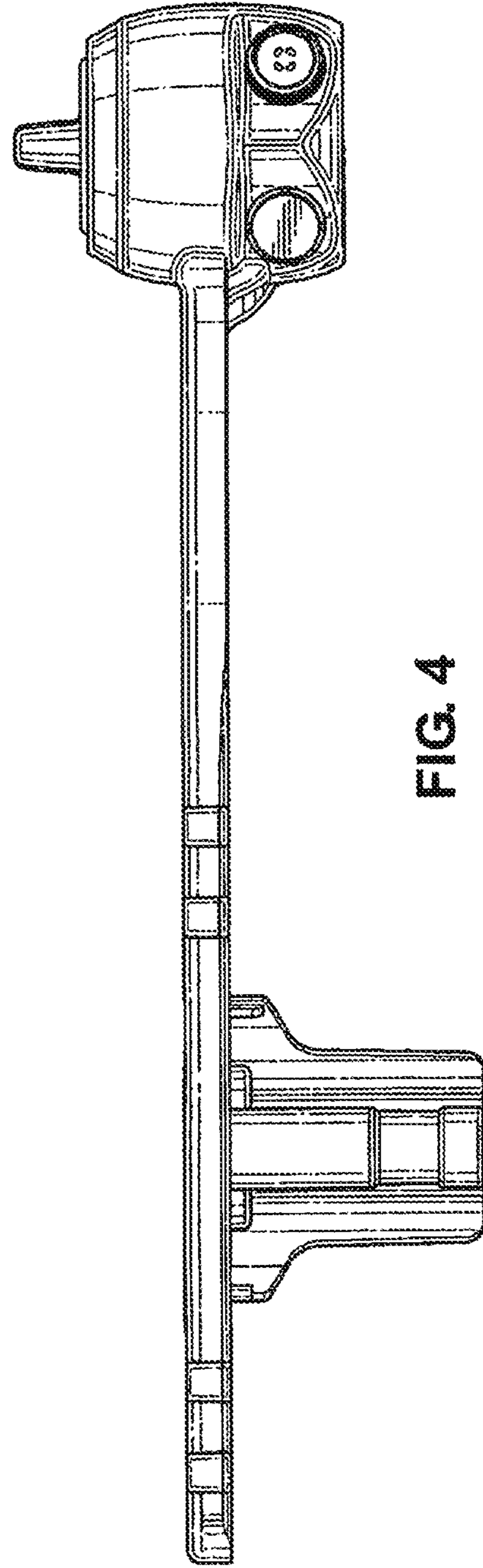


FIG. 4

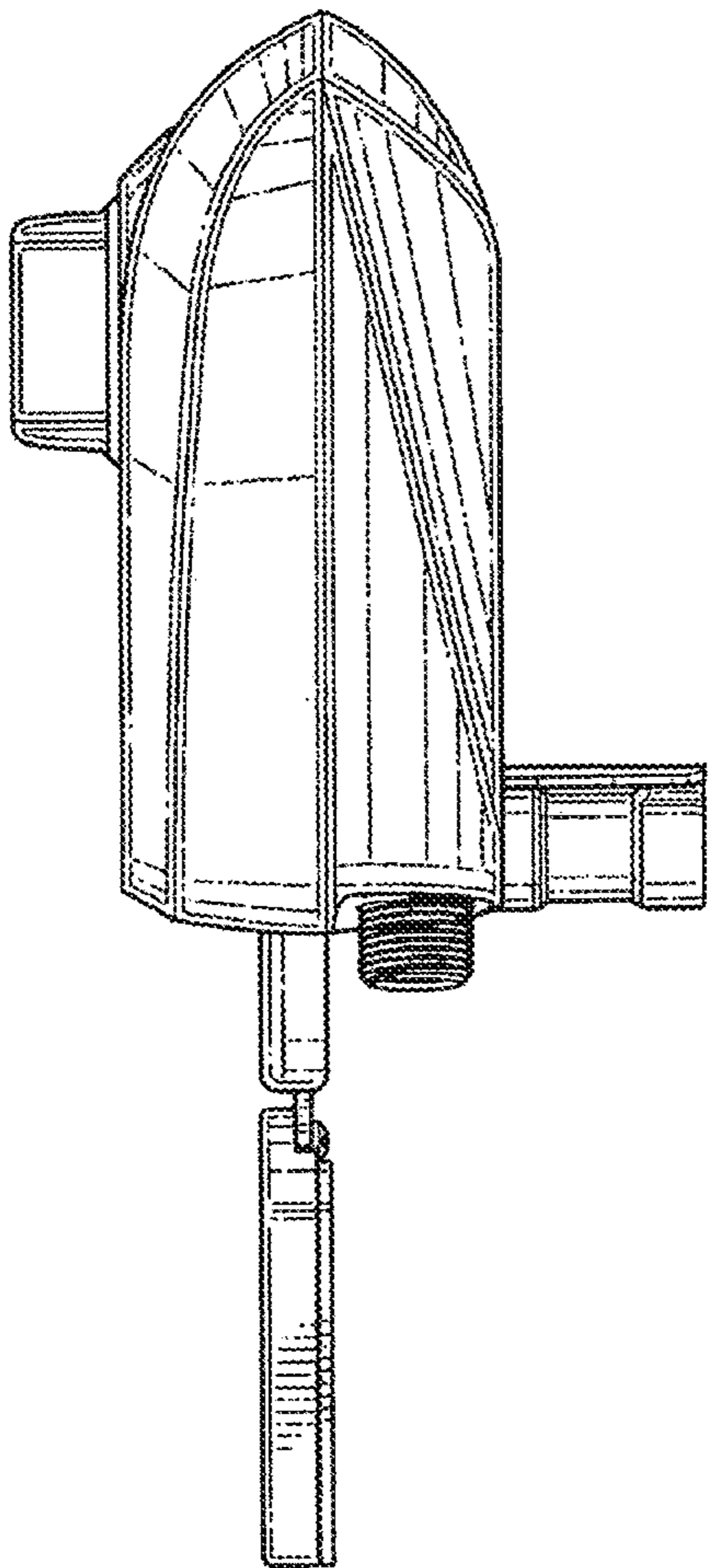


FIG. 5

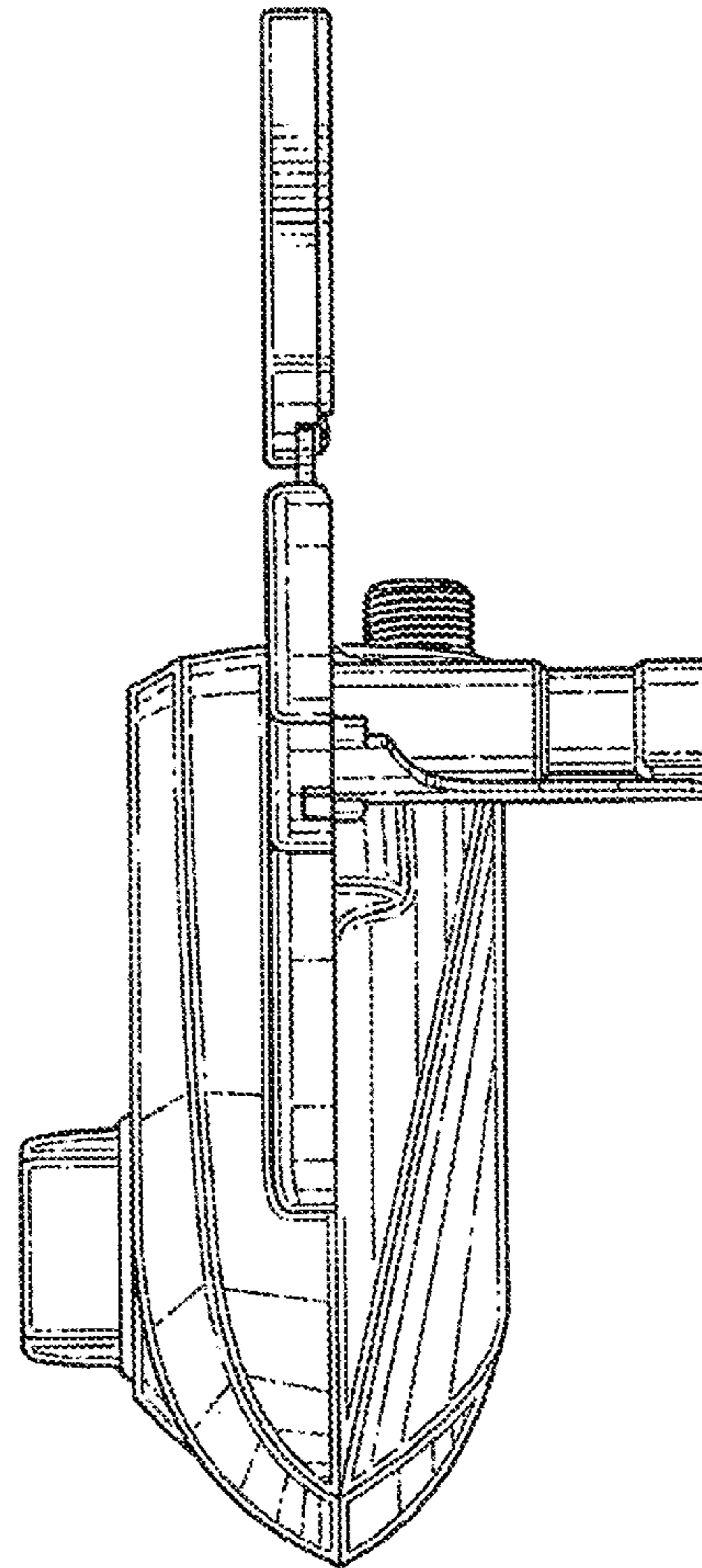


FIG. 6

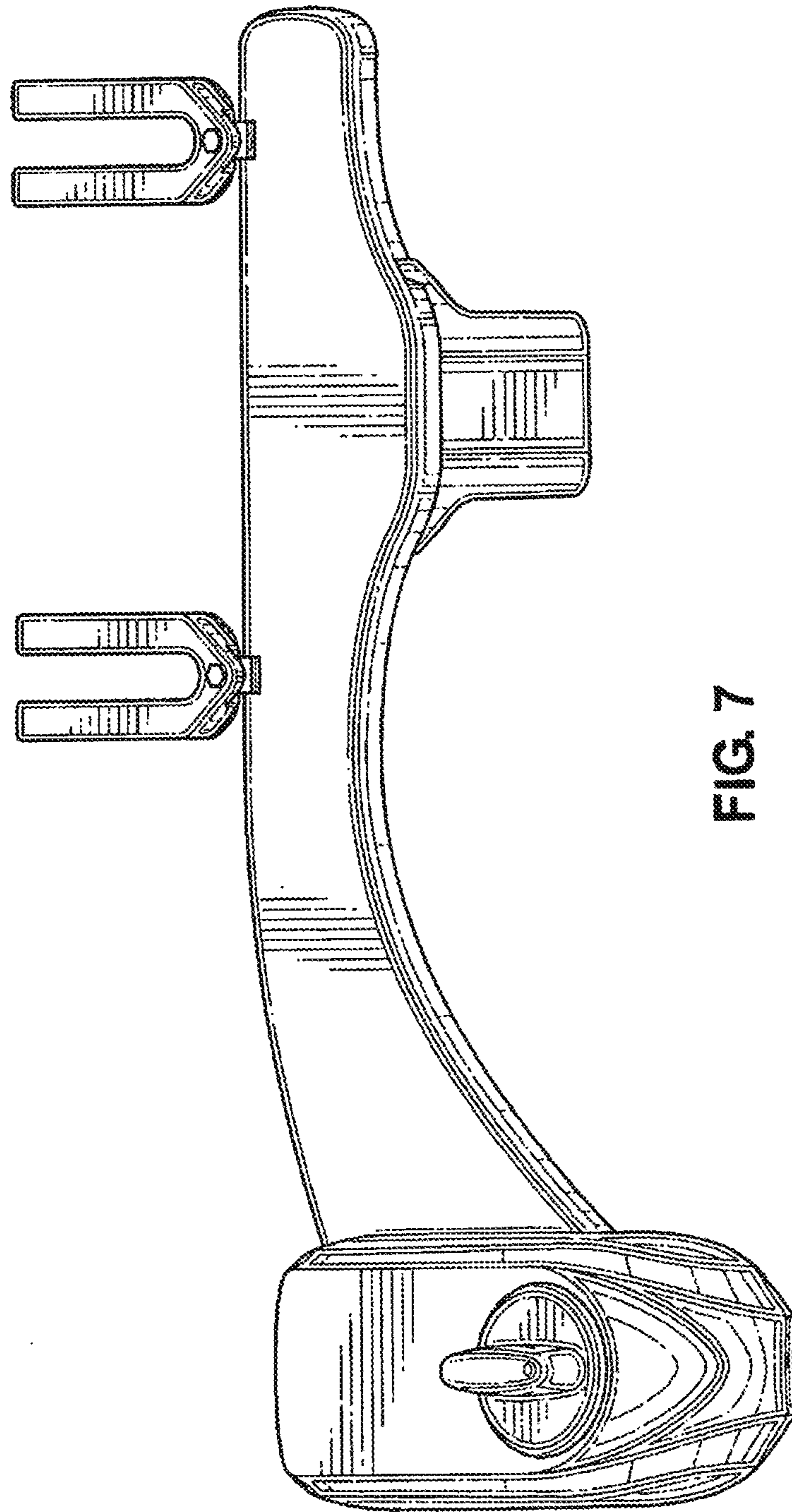


FIG. 7

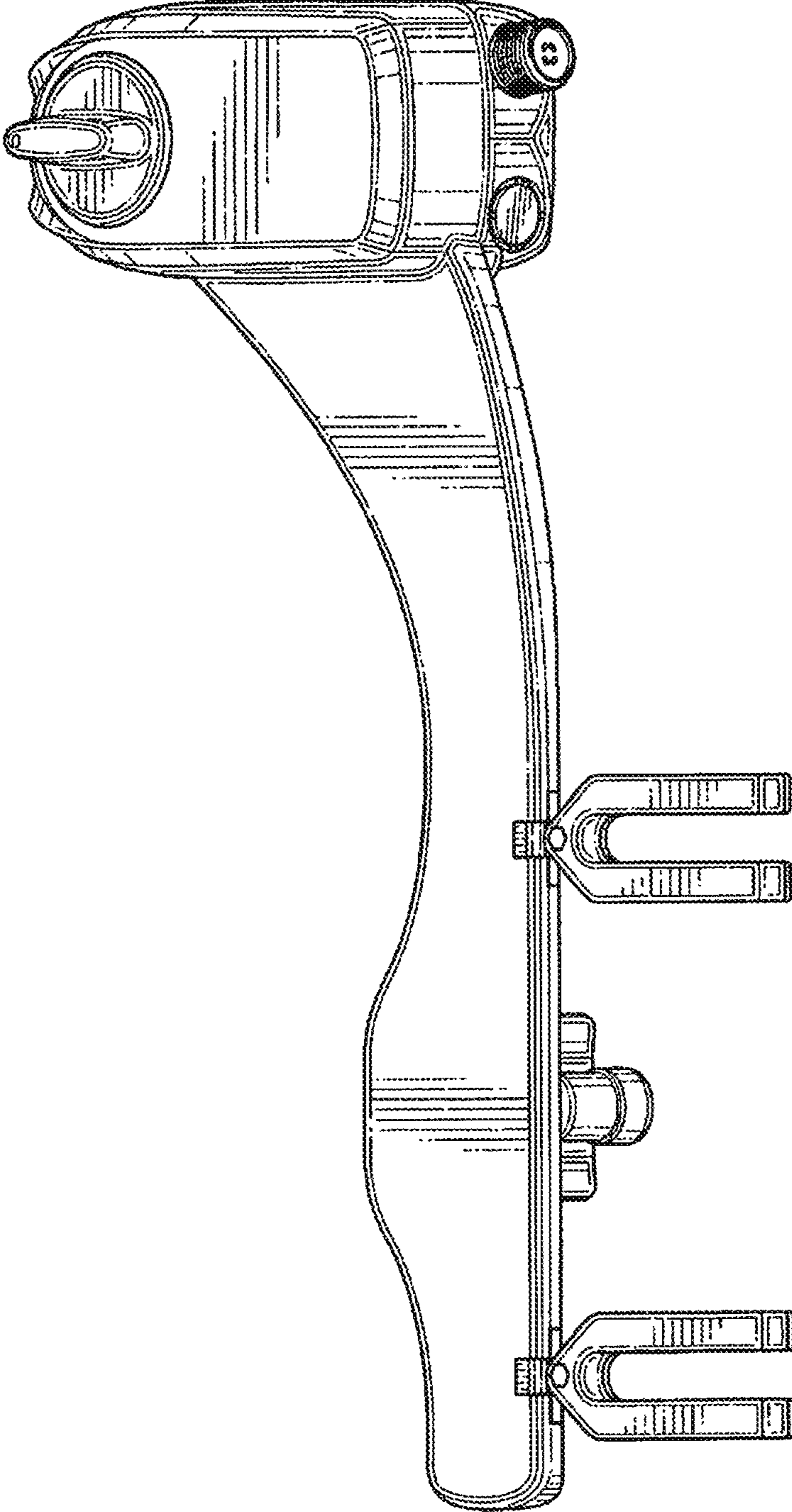


FIG. 8

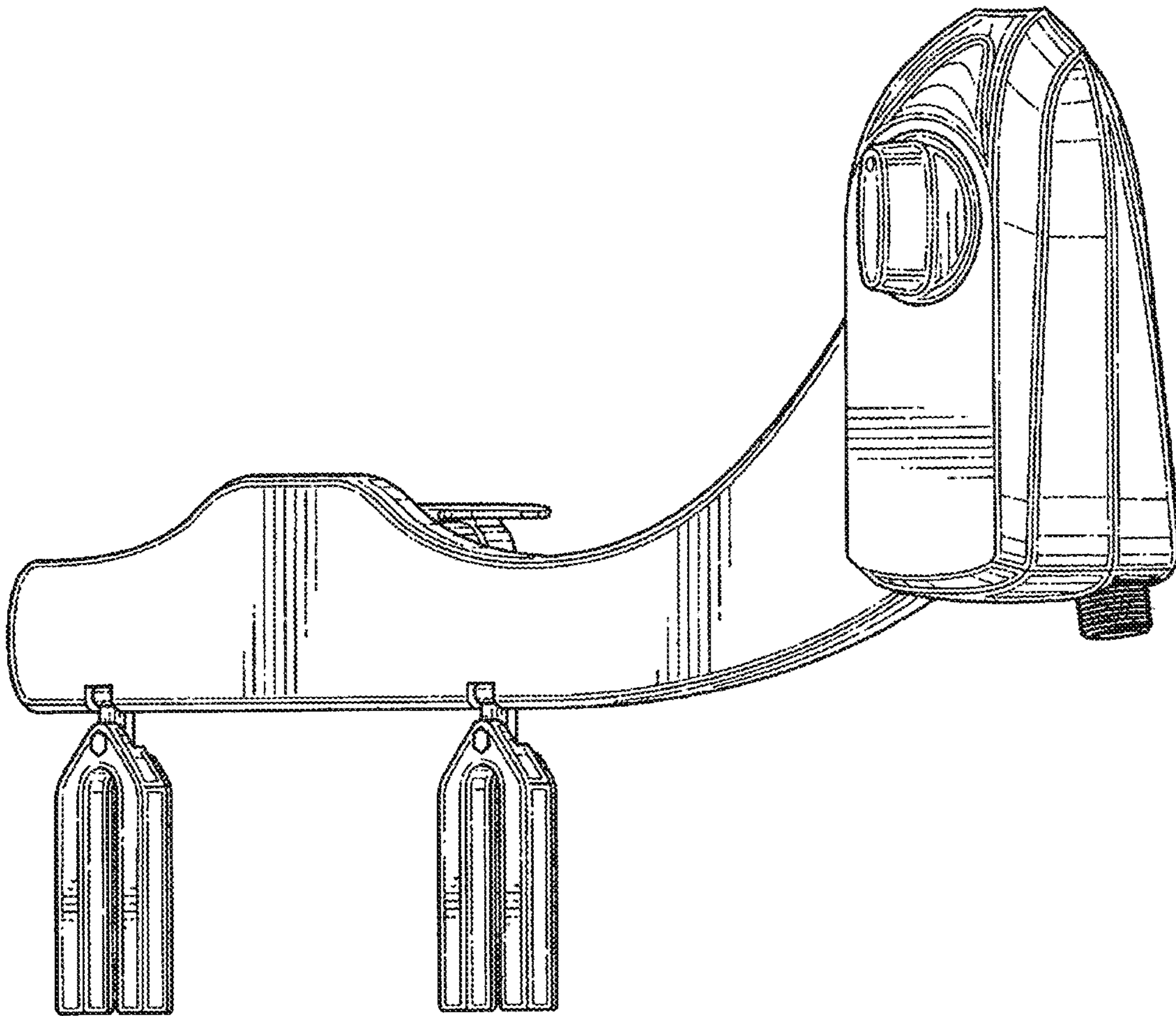


FIG. 9

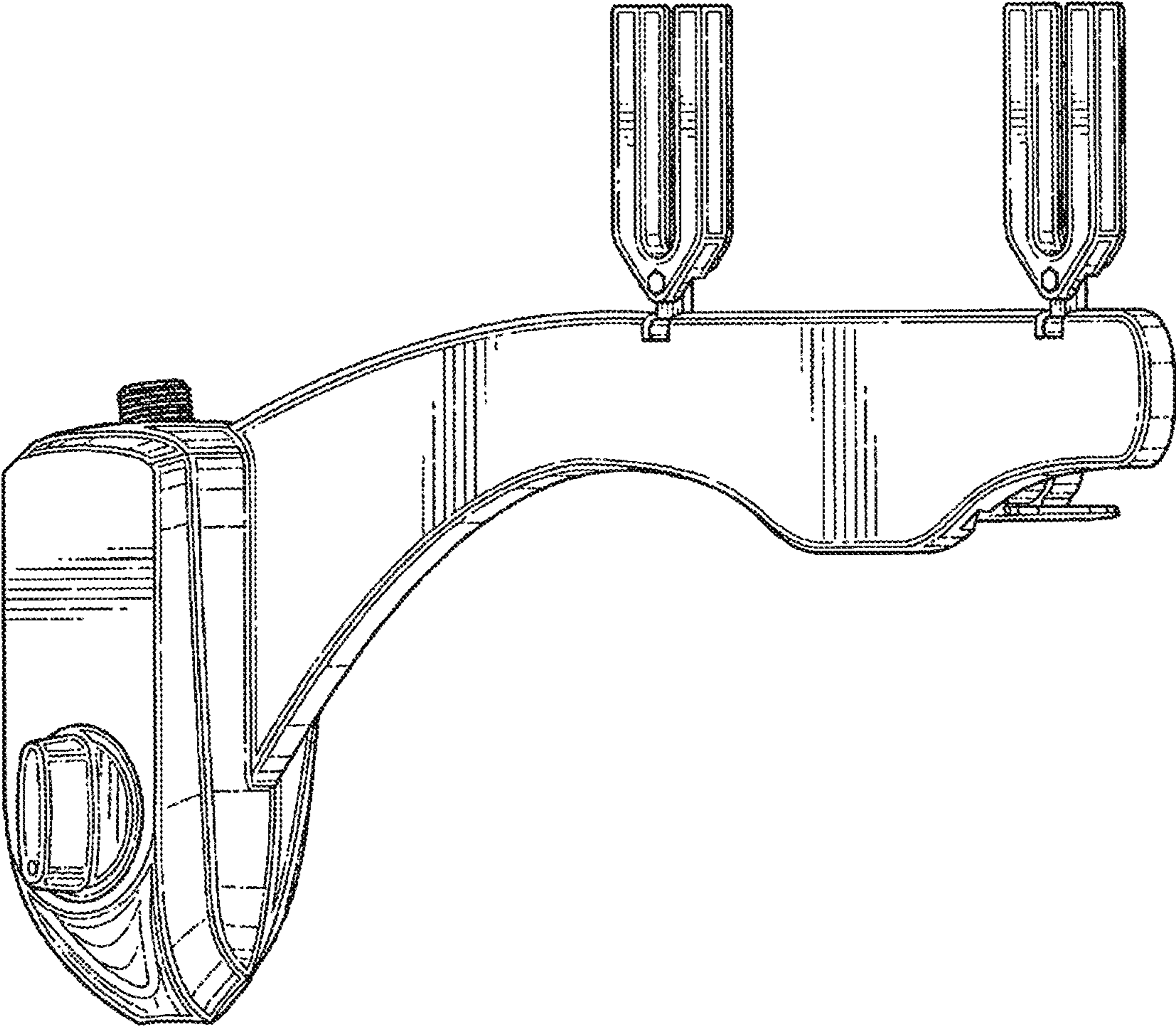


FIG. 10

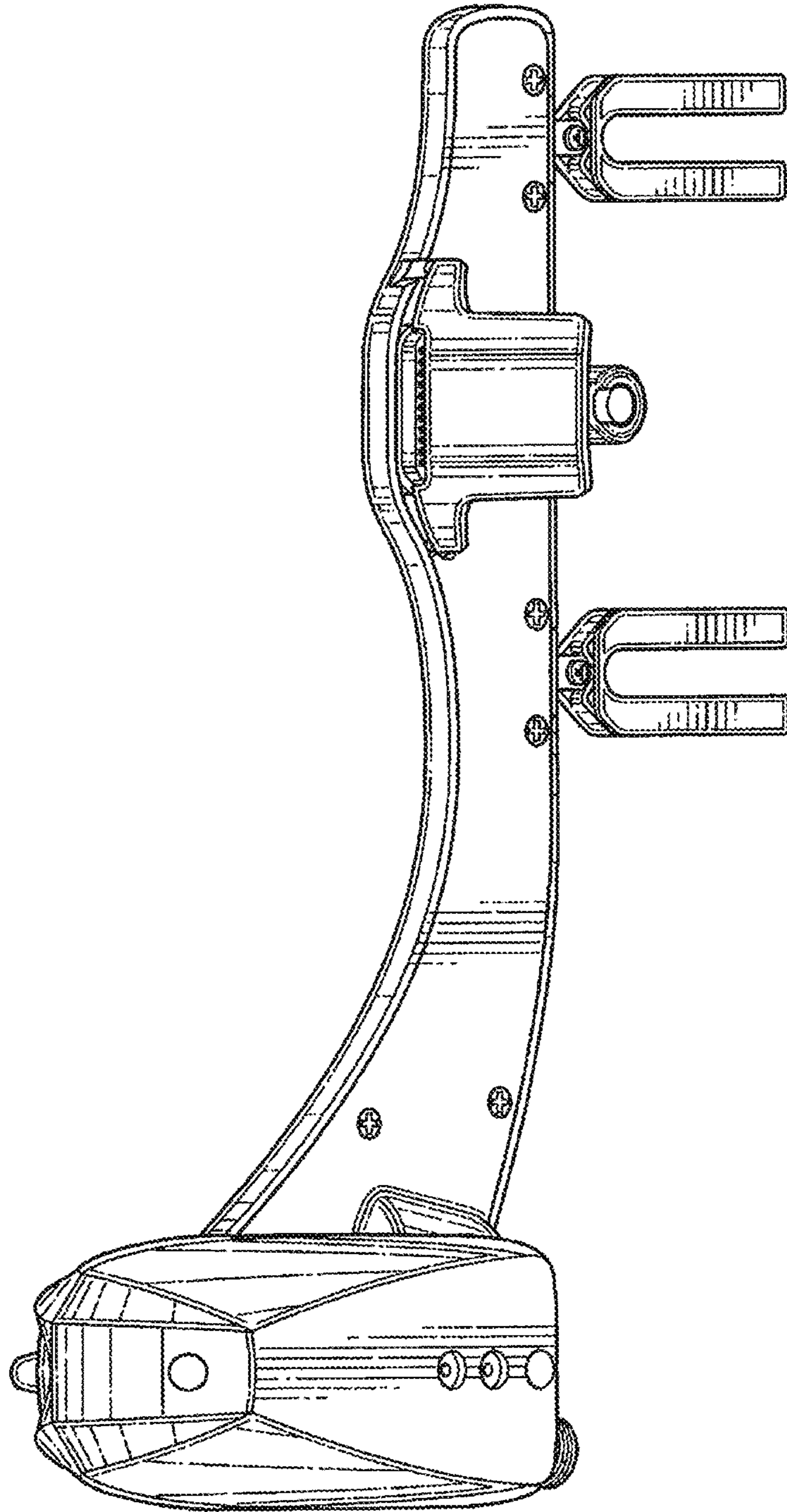


FIG. 11

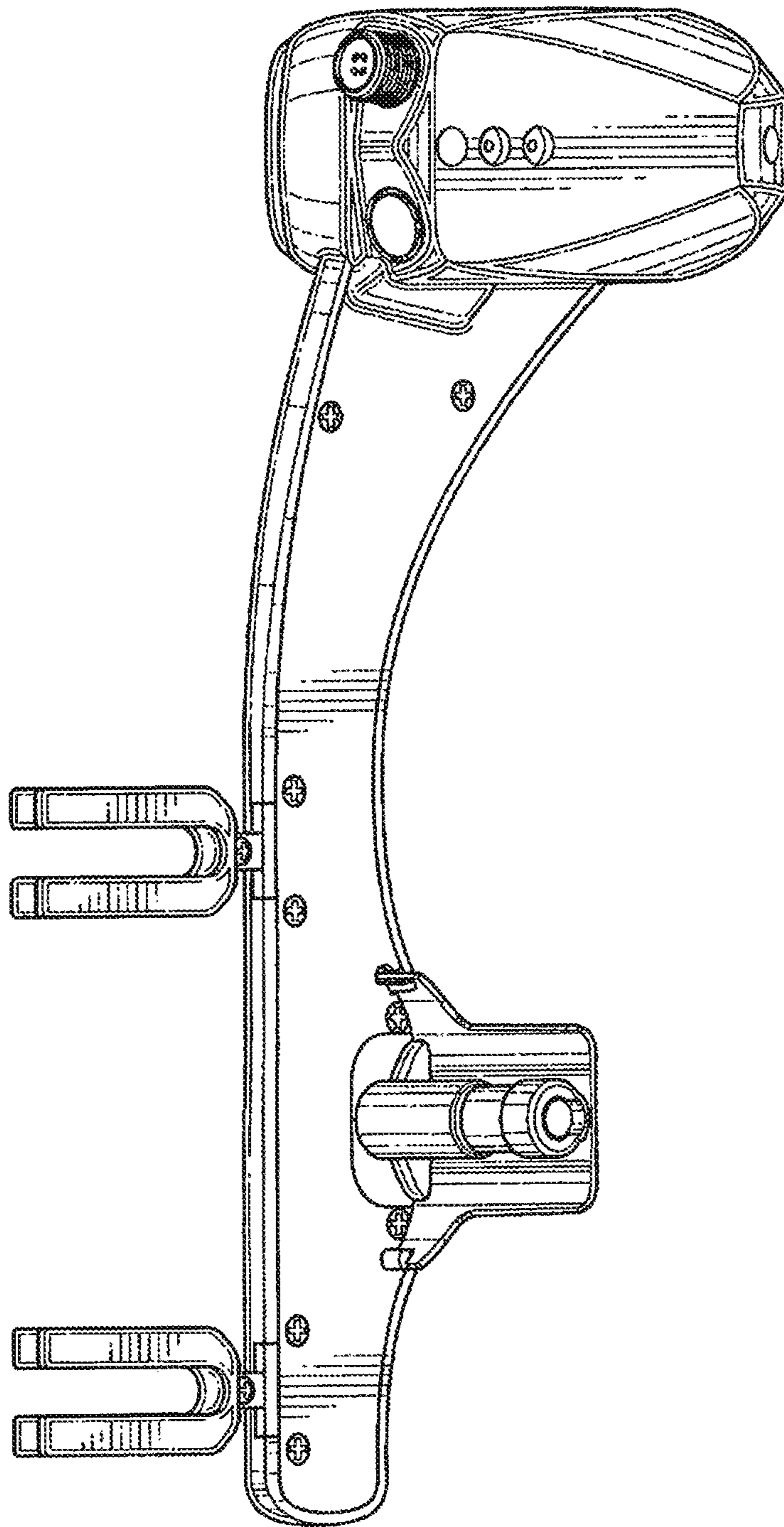


FIG. 12

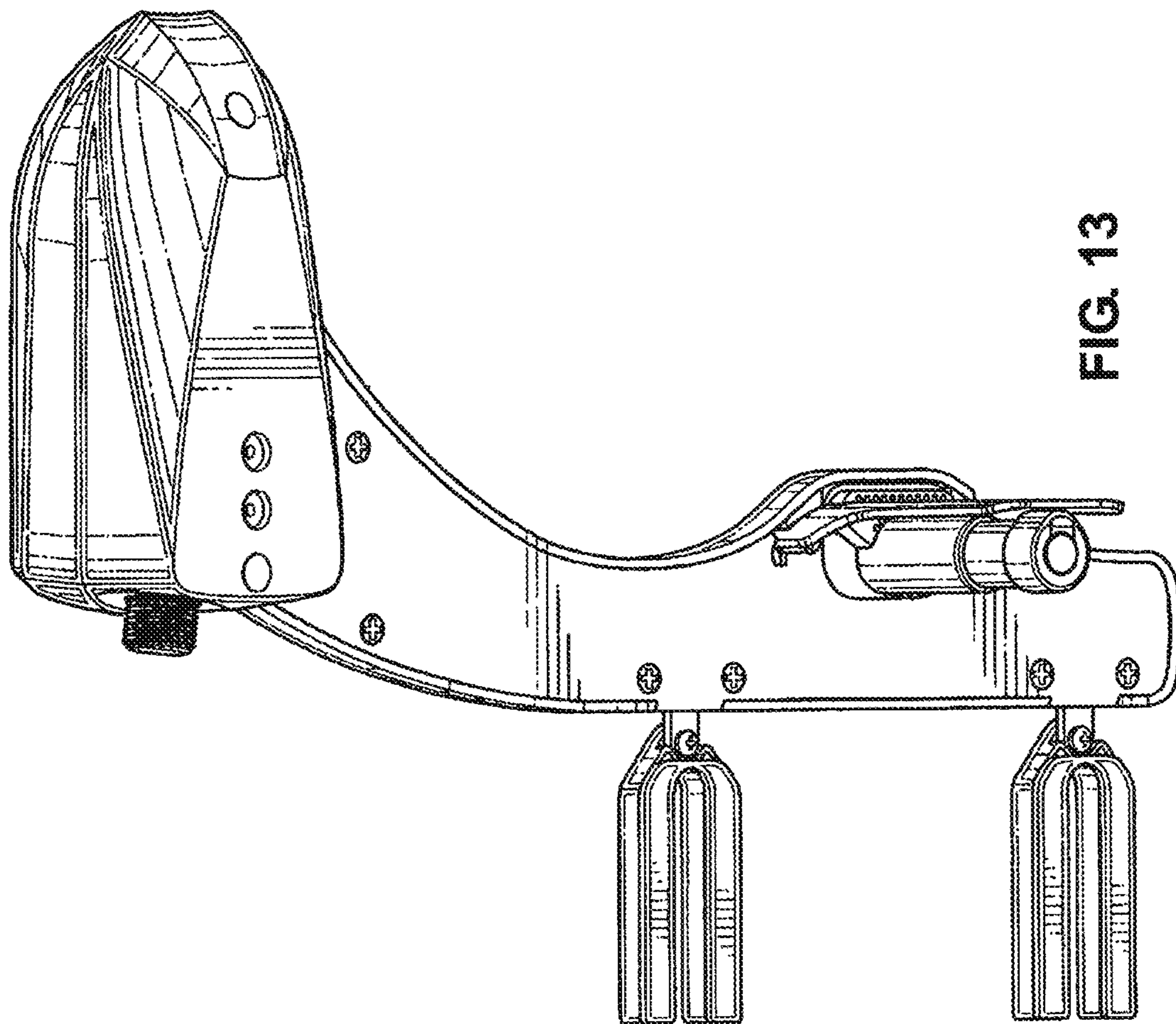


FIG. 13

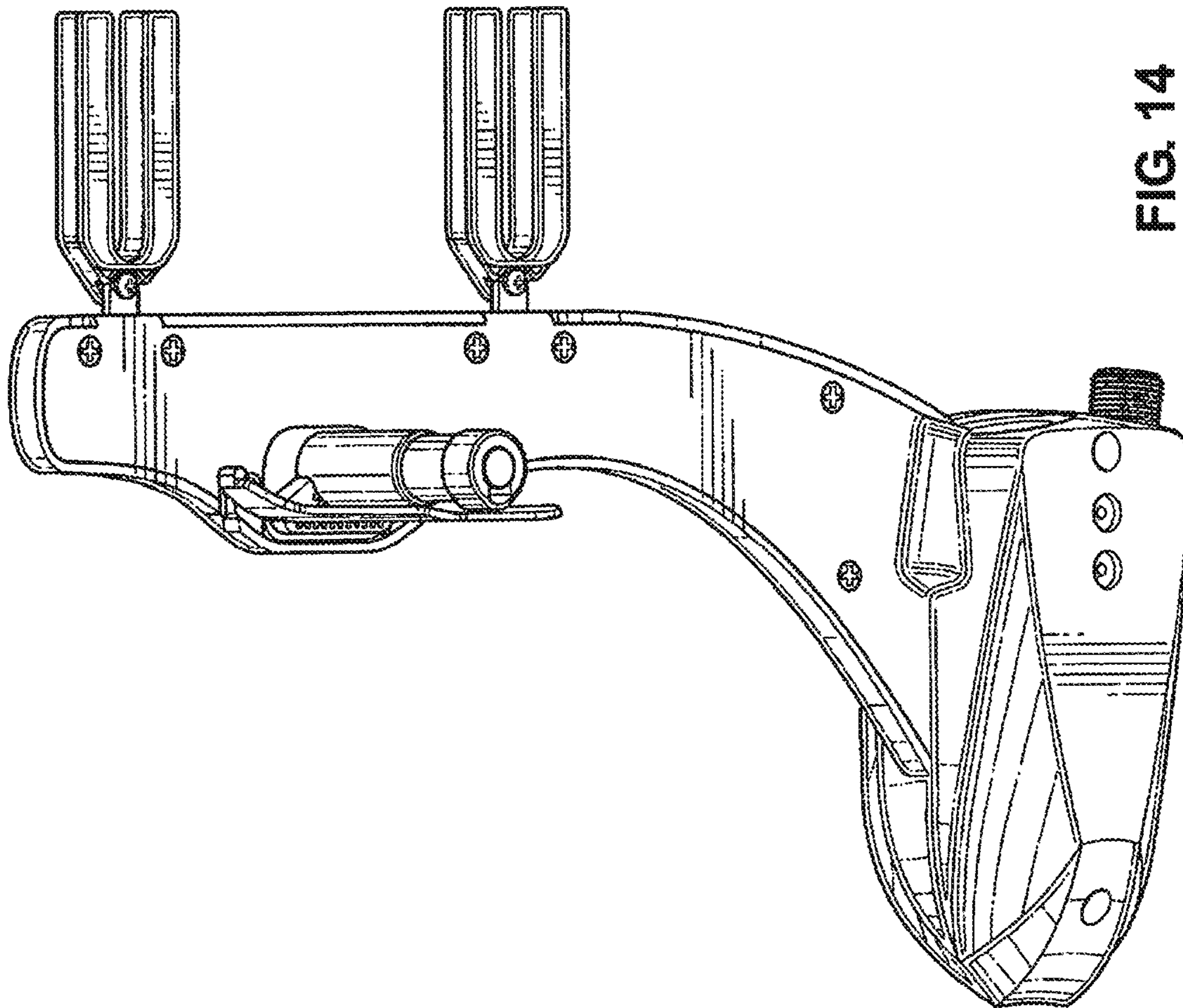


FIG. 14

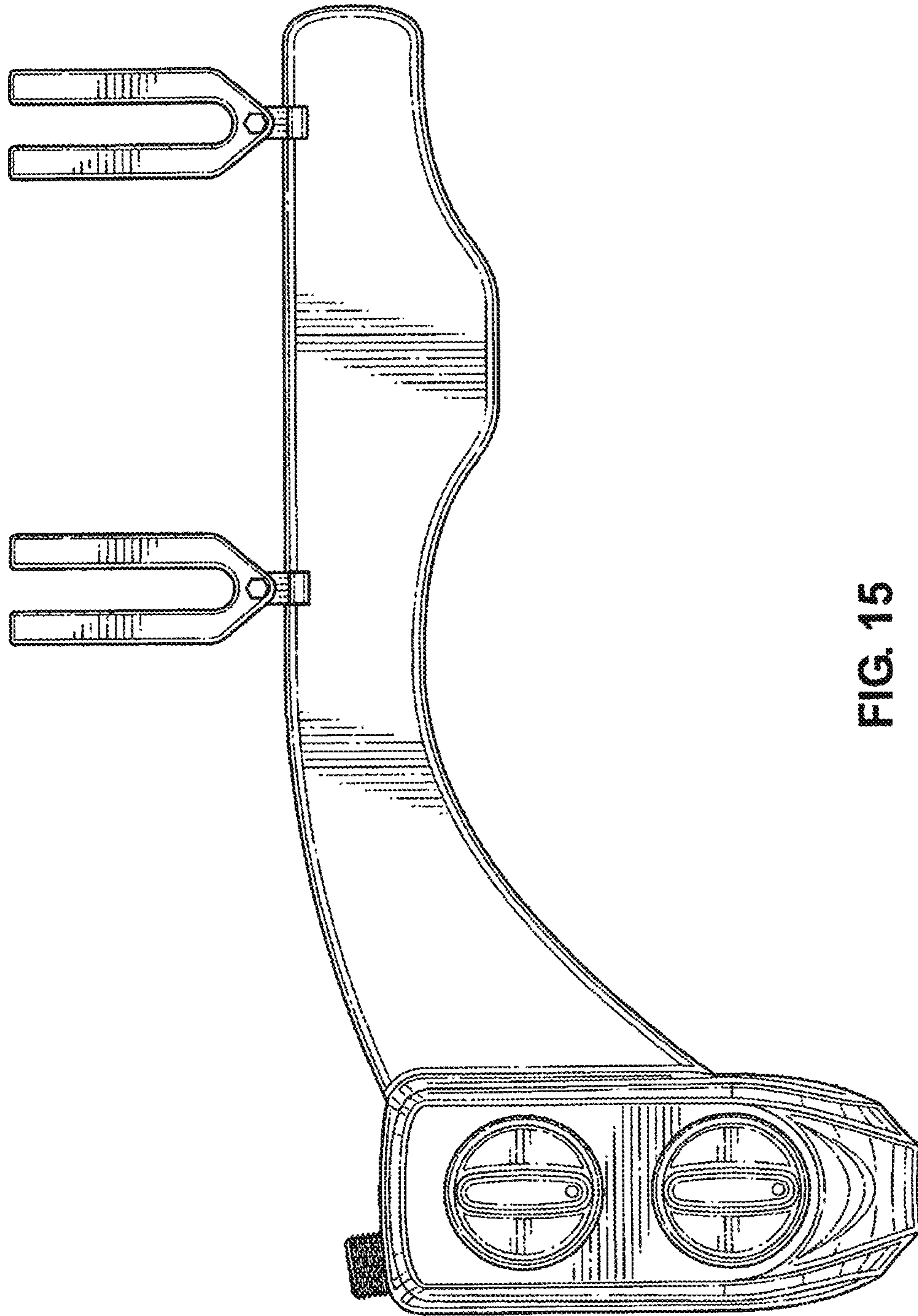


FIG. 15

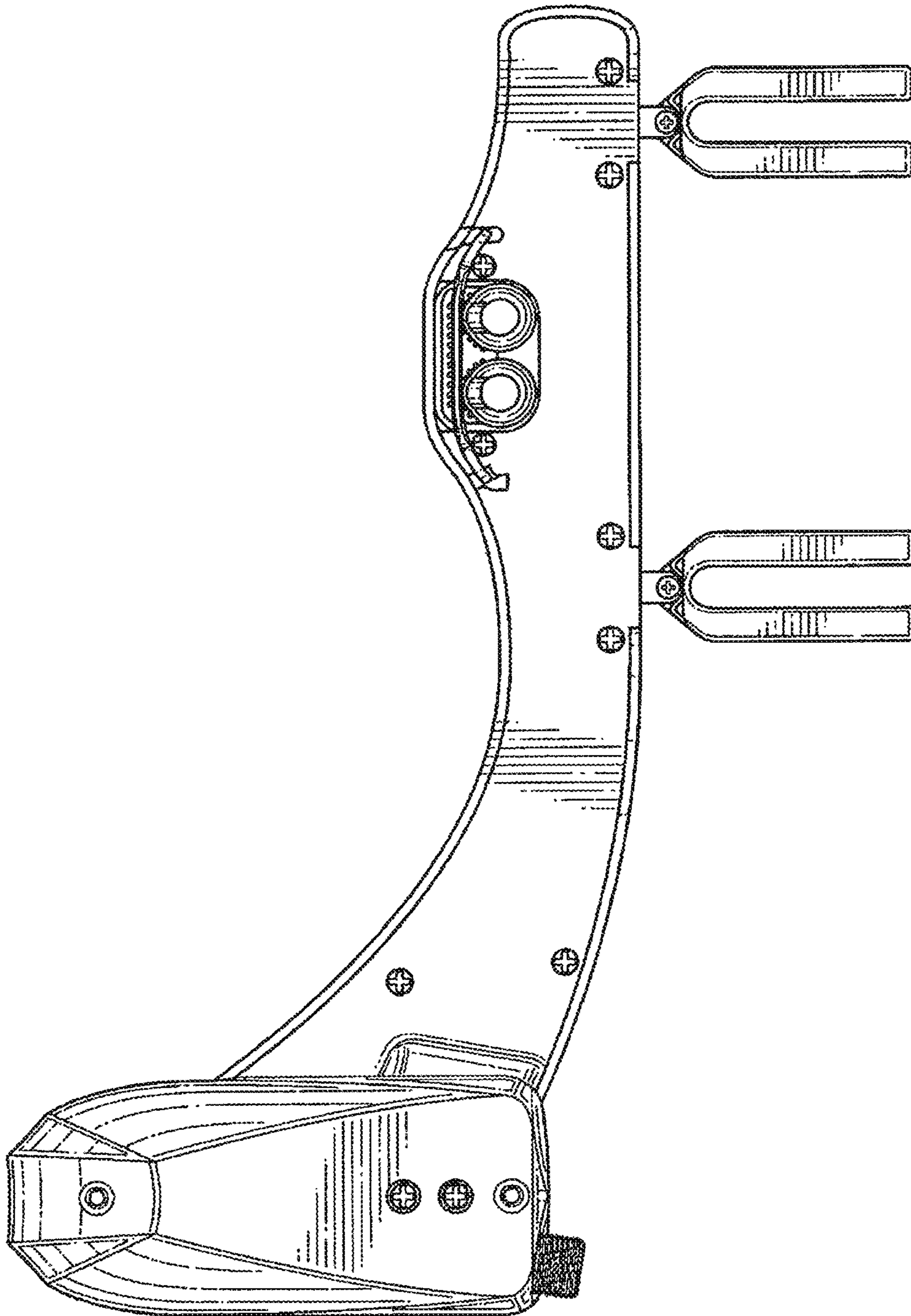


FIG. 16

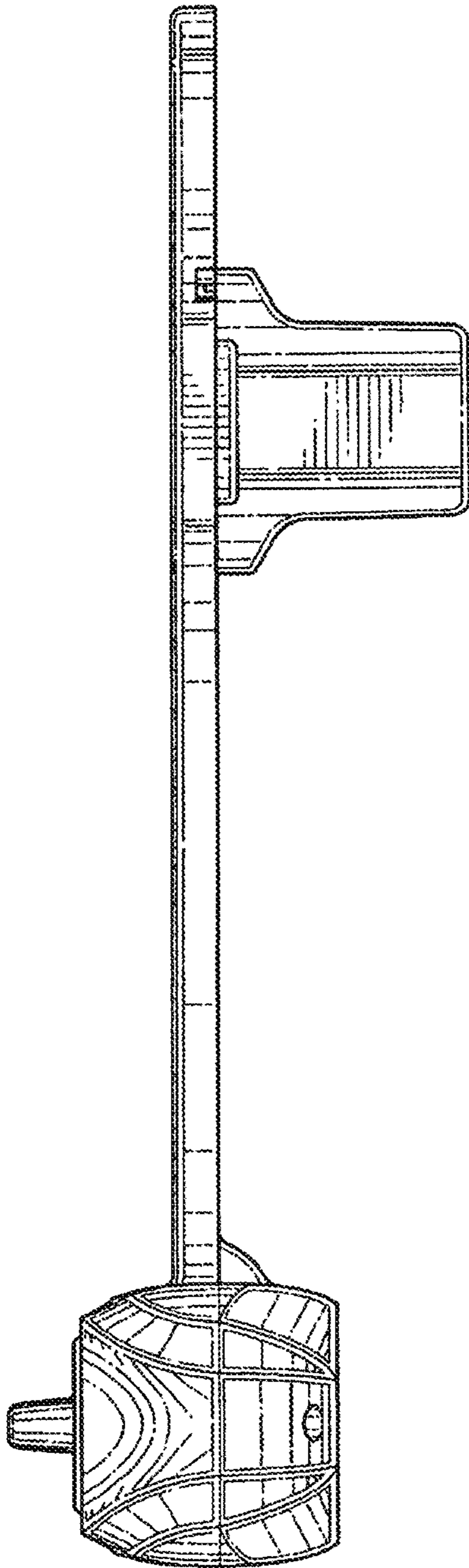


FIG. 17

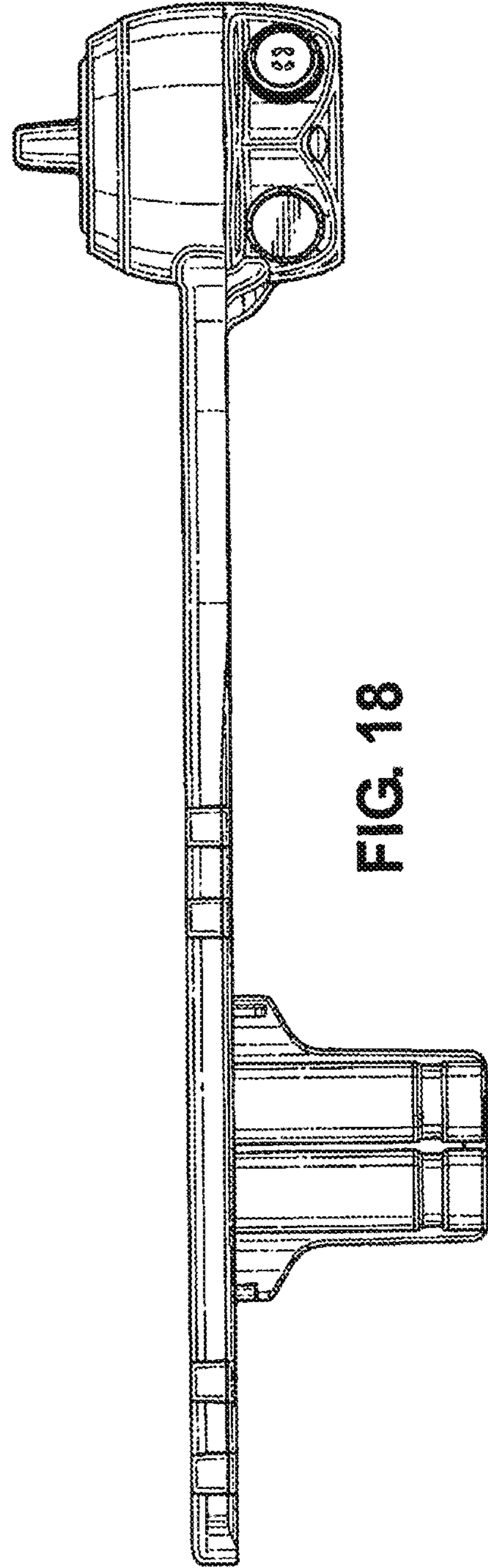


FIG. 18

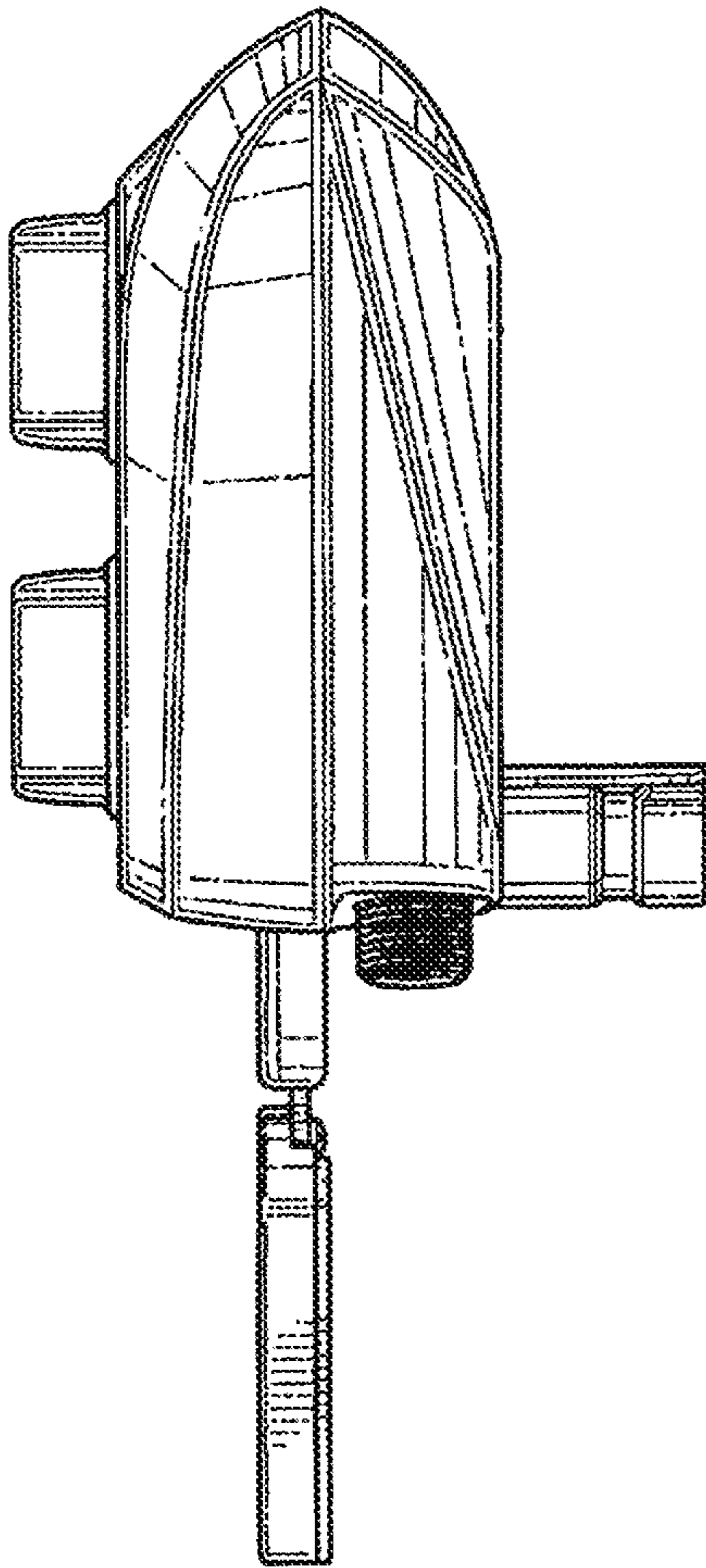


FIG. 19

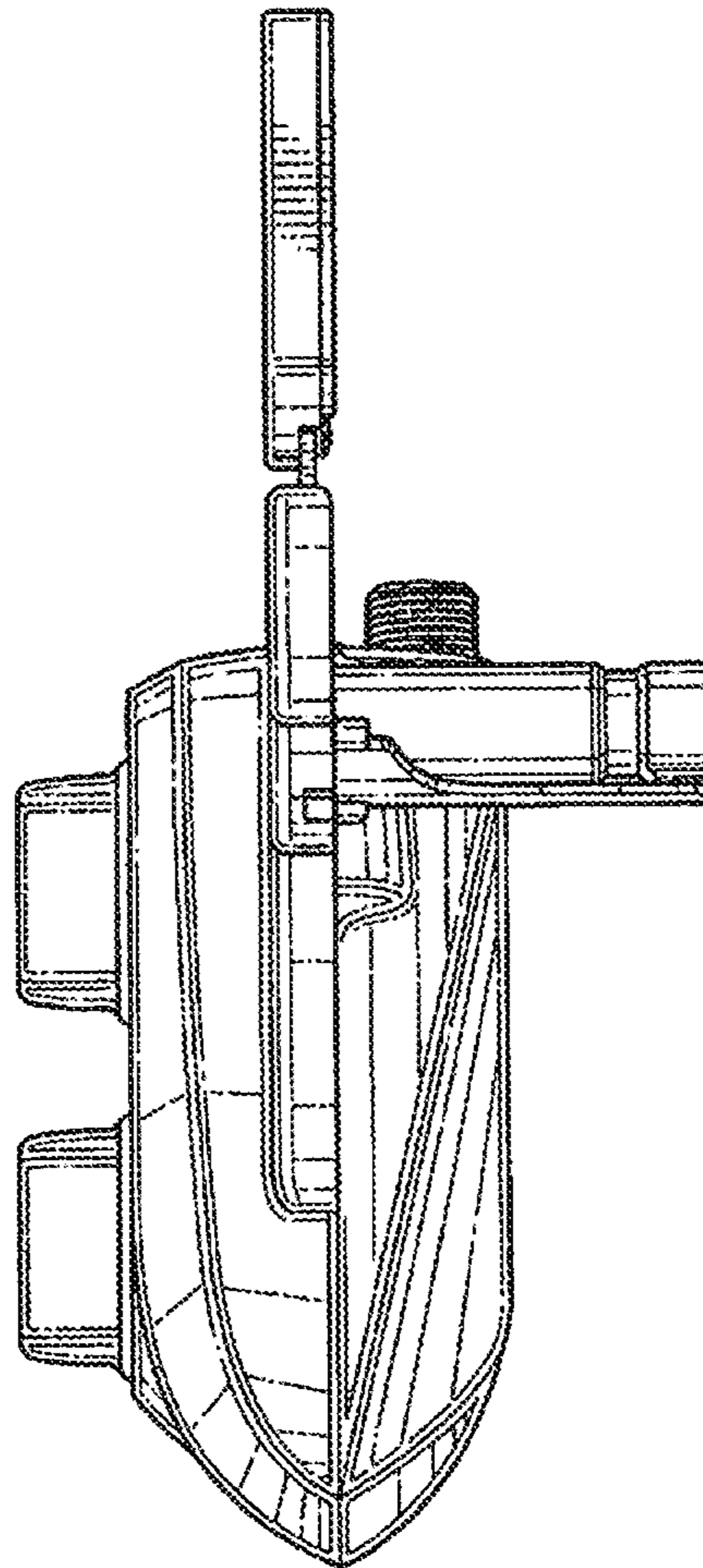


FIG. 20

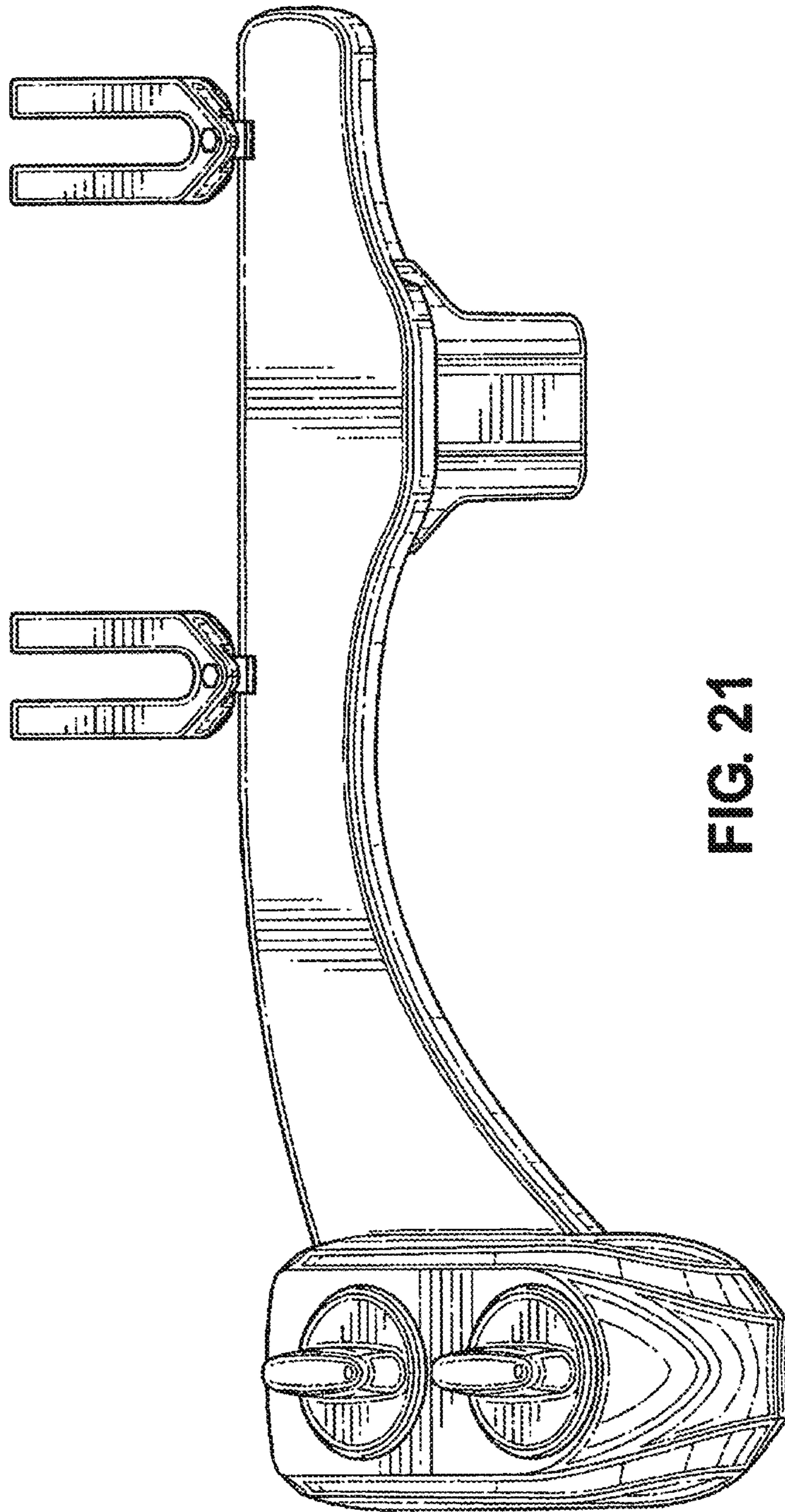


FIG. 21

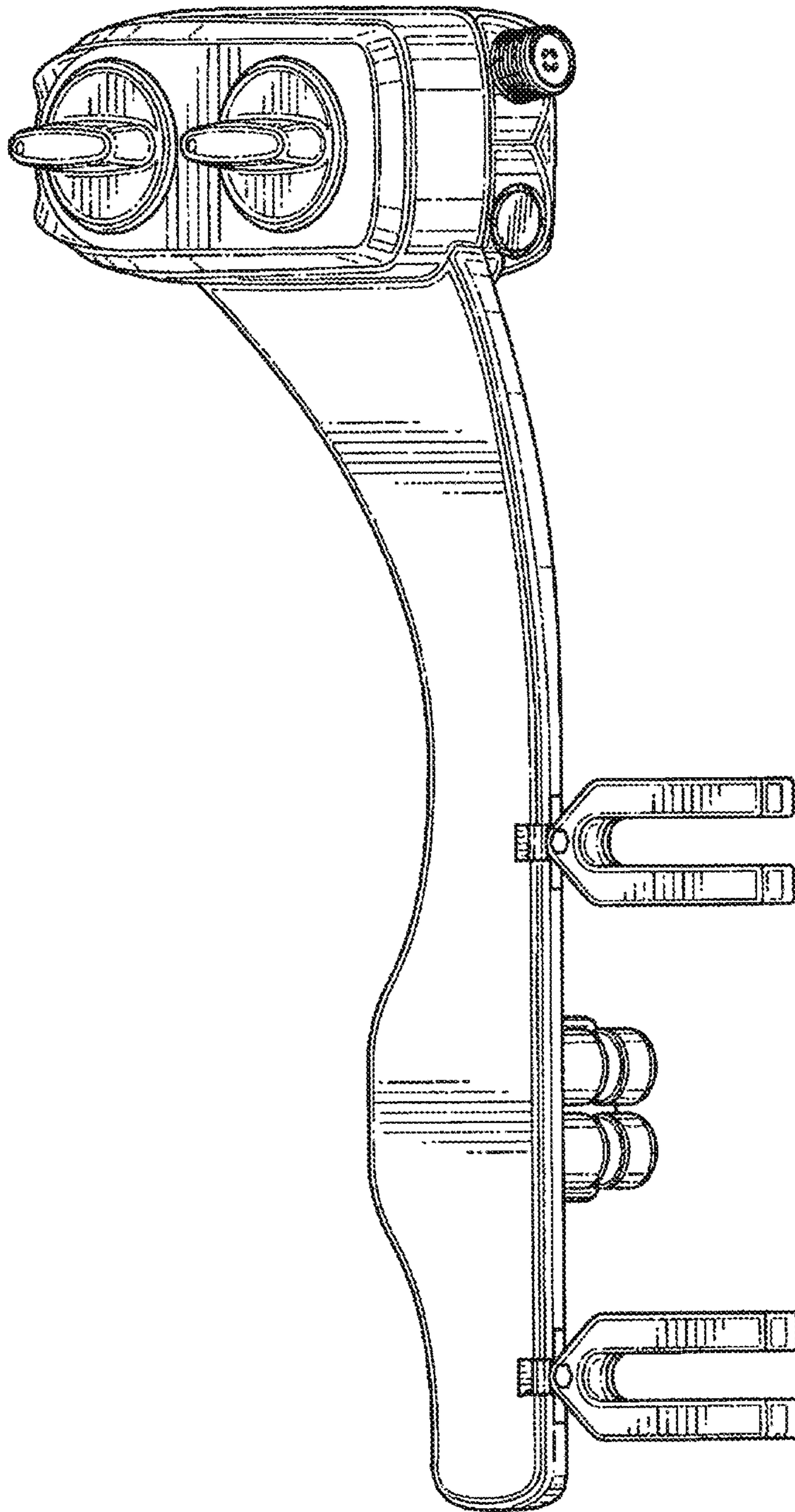


FIG. 22

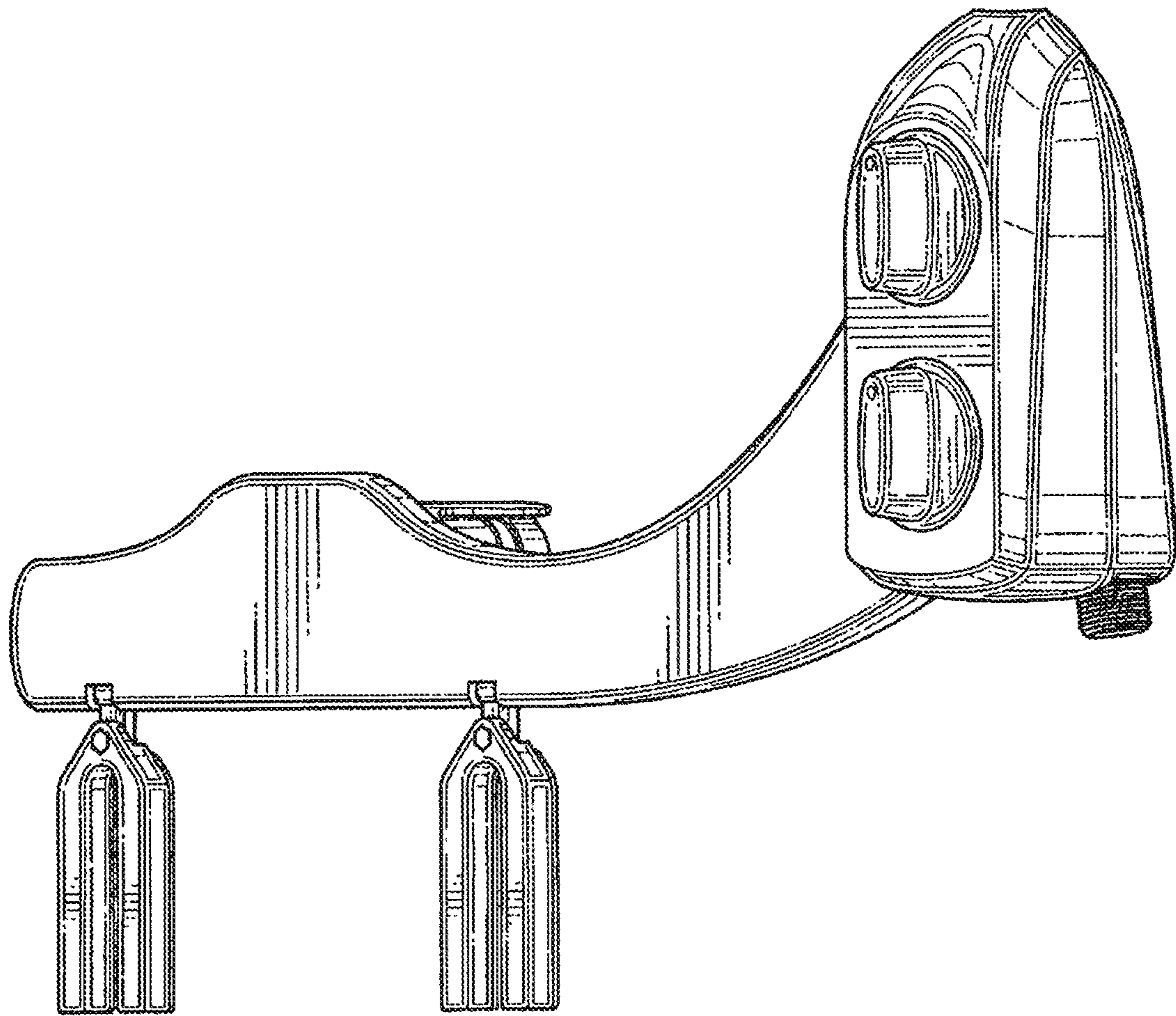


FIG. 23

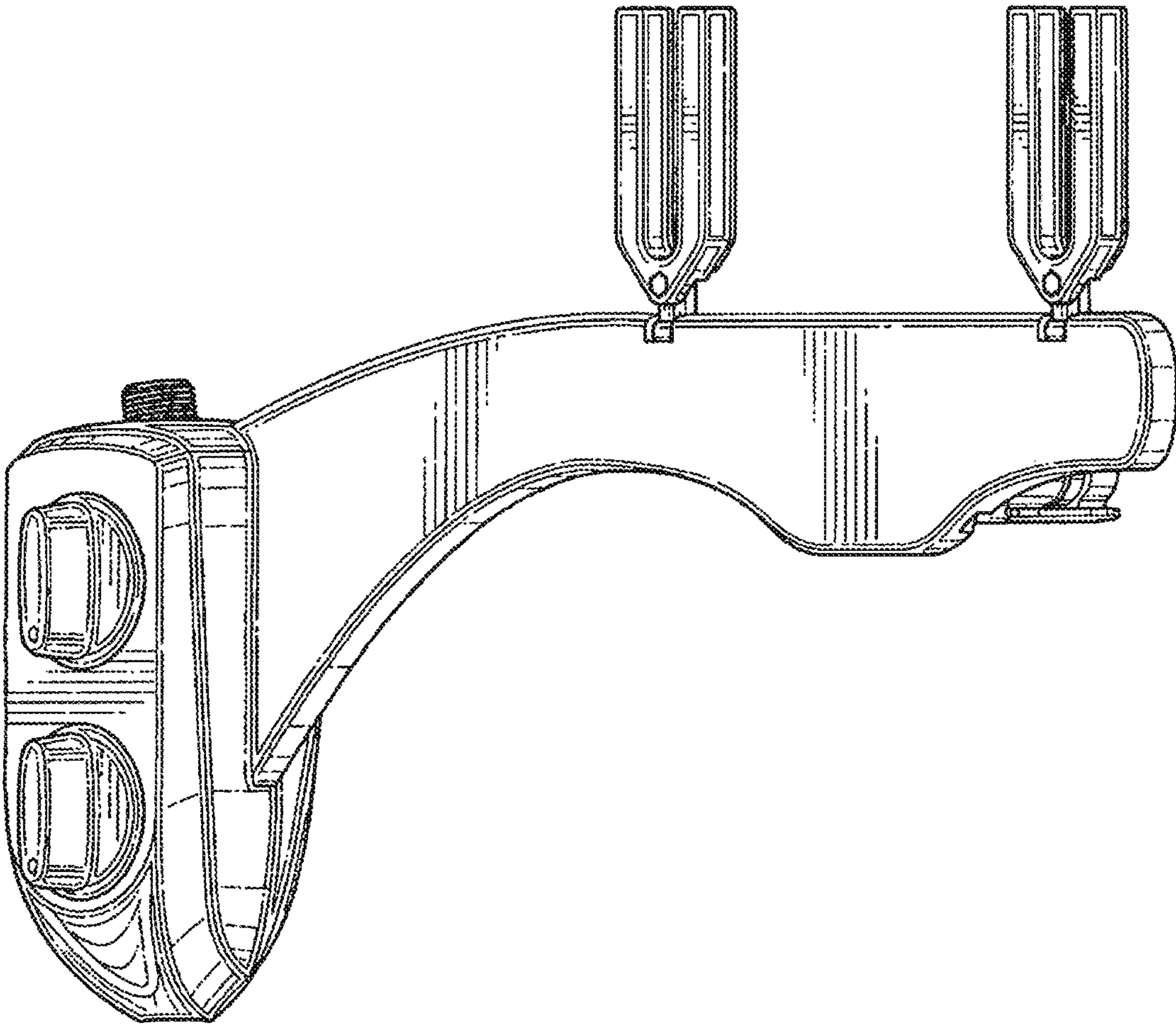


FIG. 24

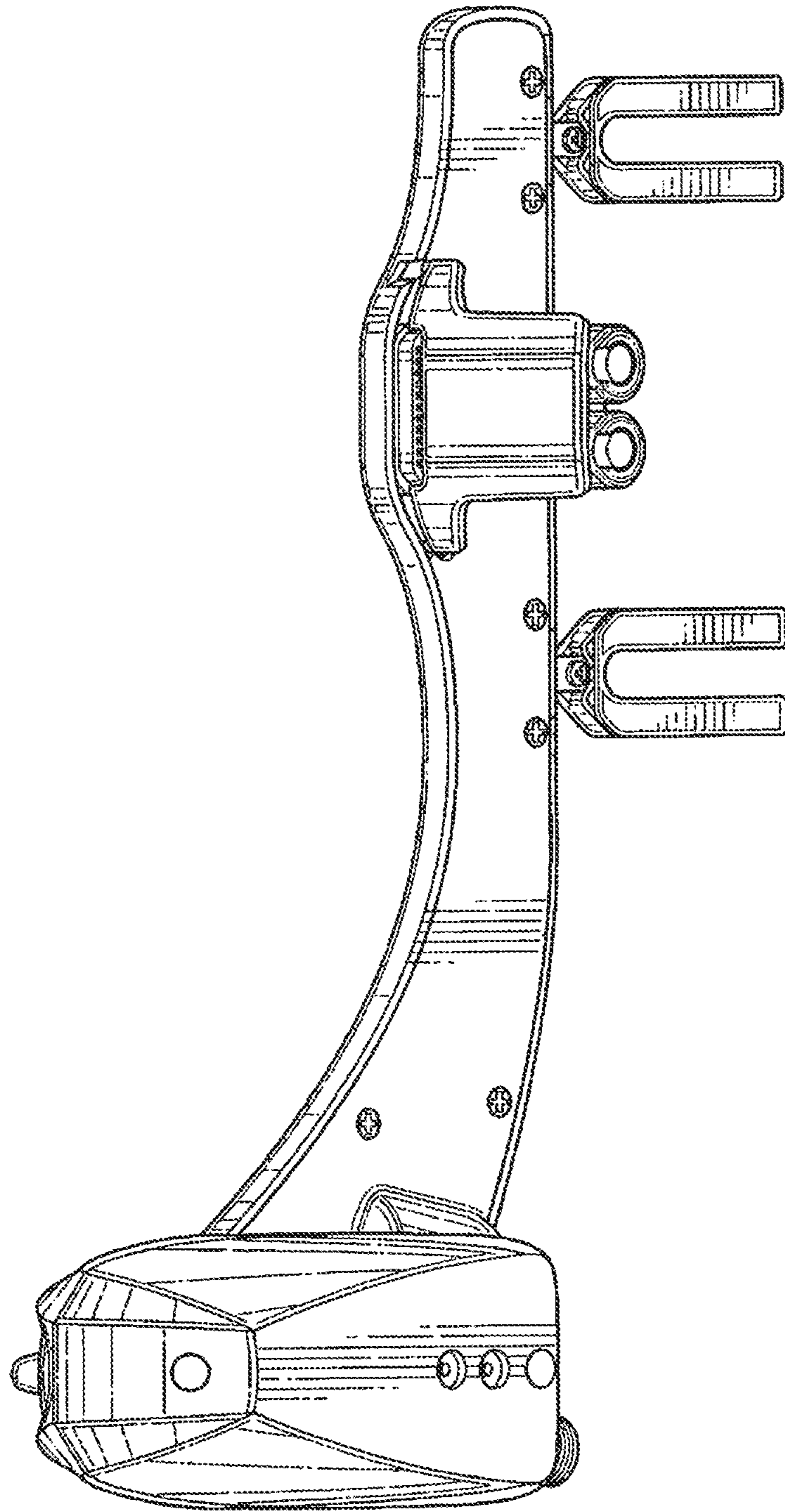


FIG. 25

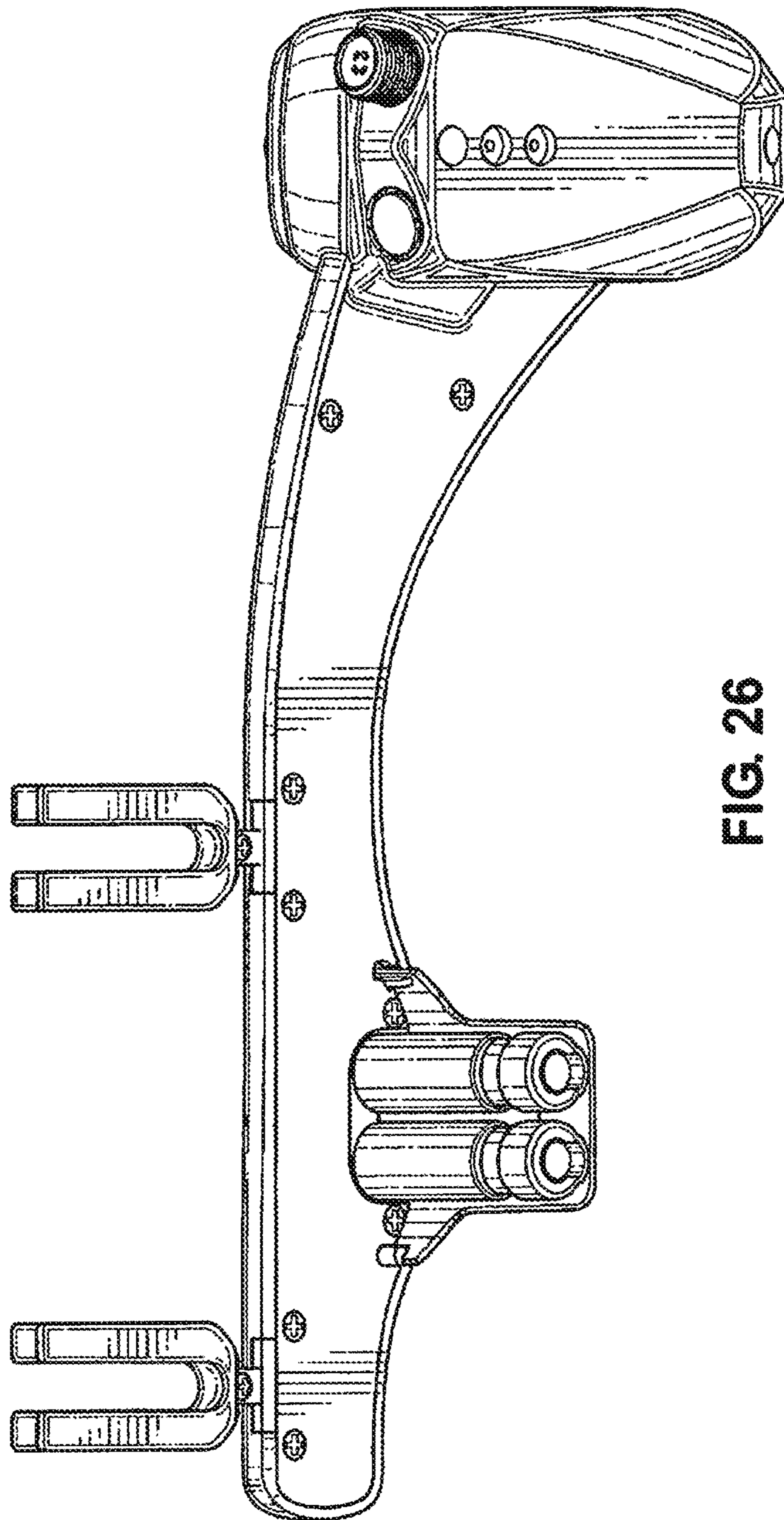


FIG. 26

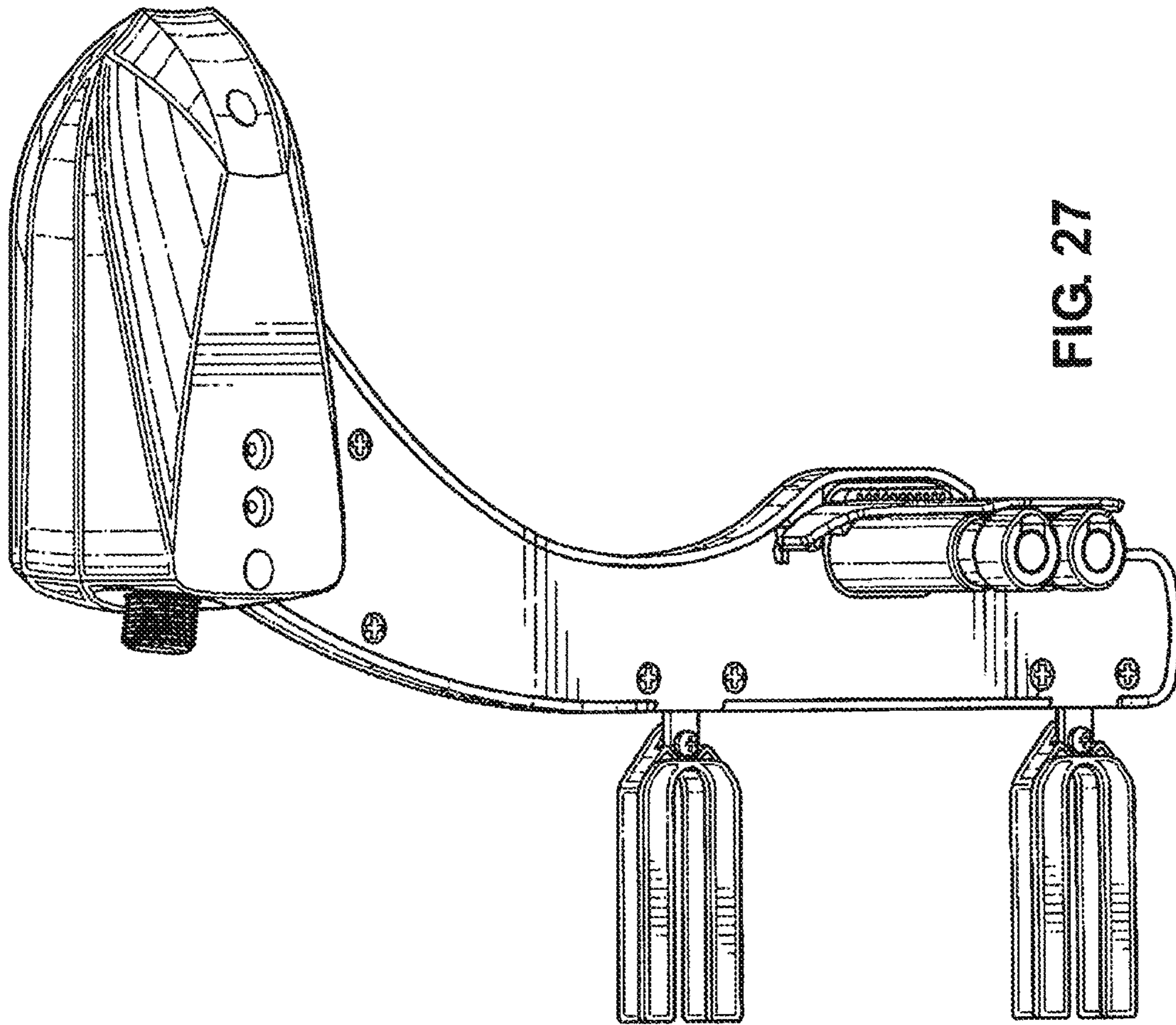


FIG. 27

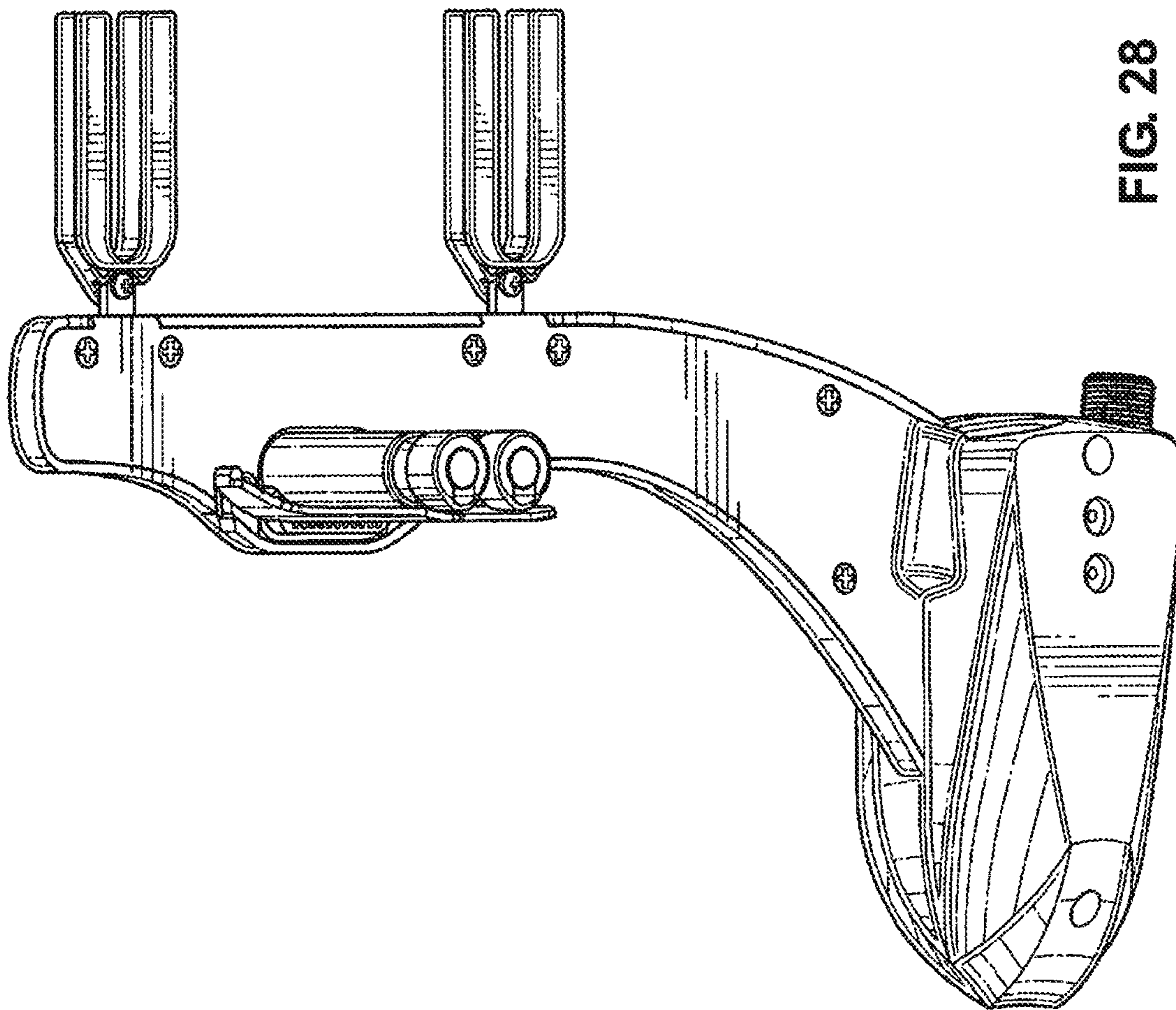


FIG. 28

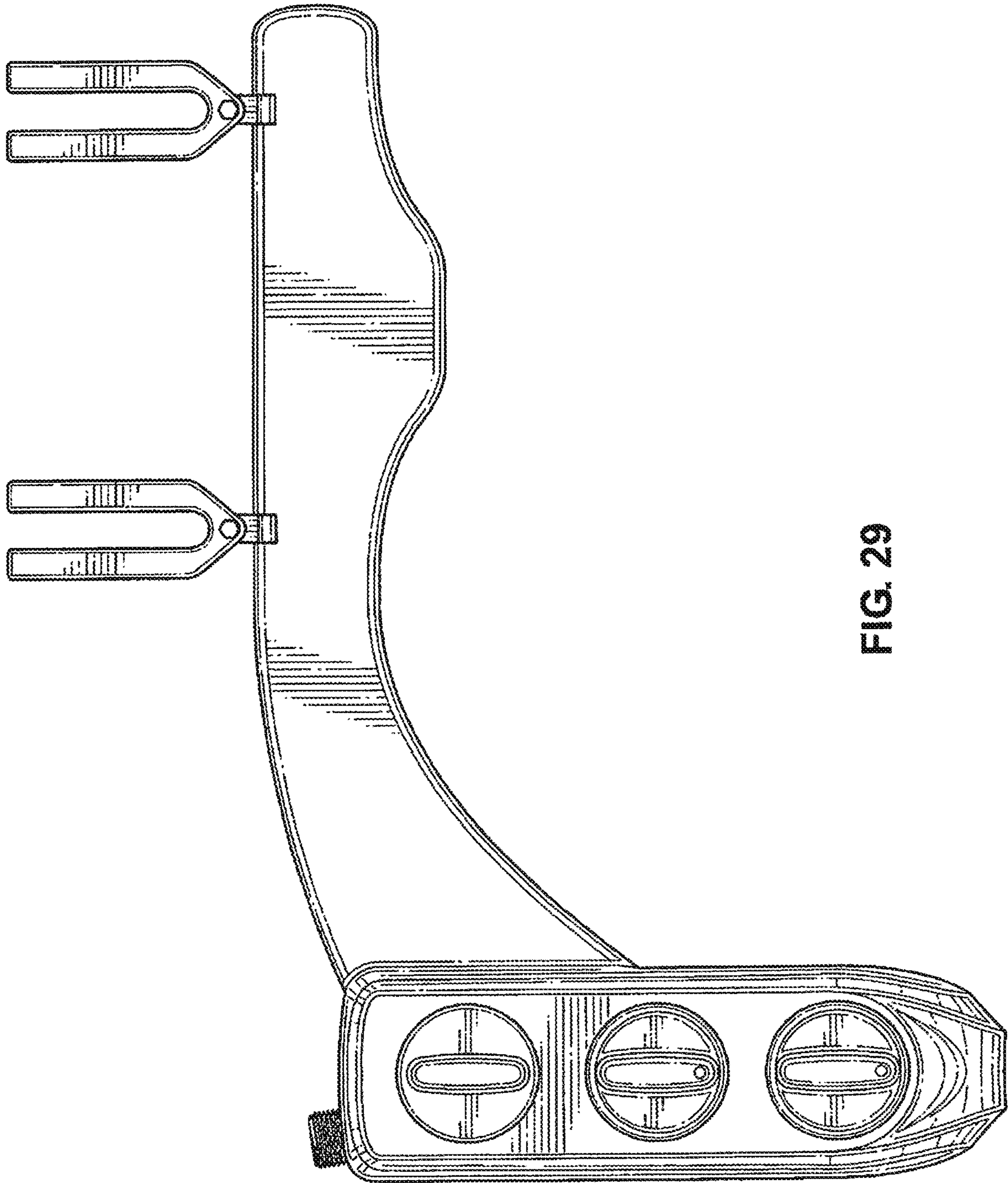


FIG. 29

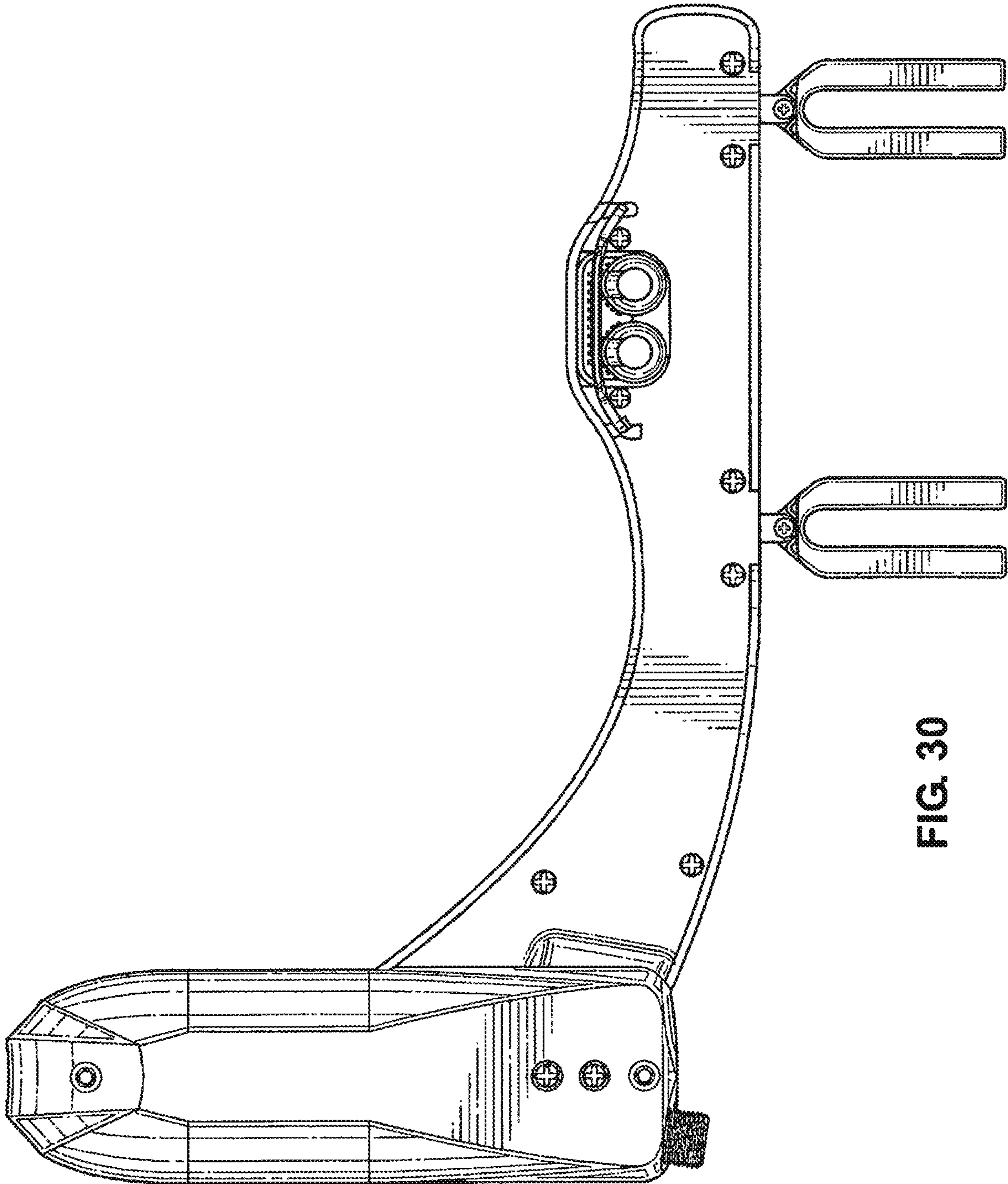


FIG. 30

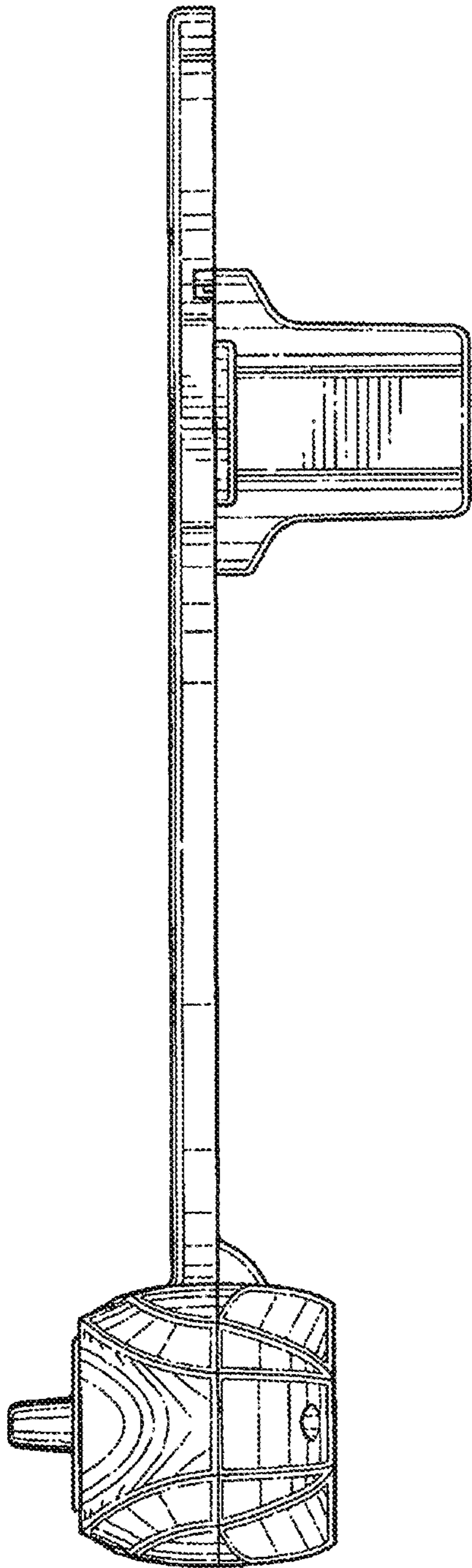


FIG. 31

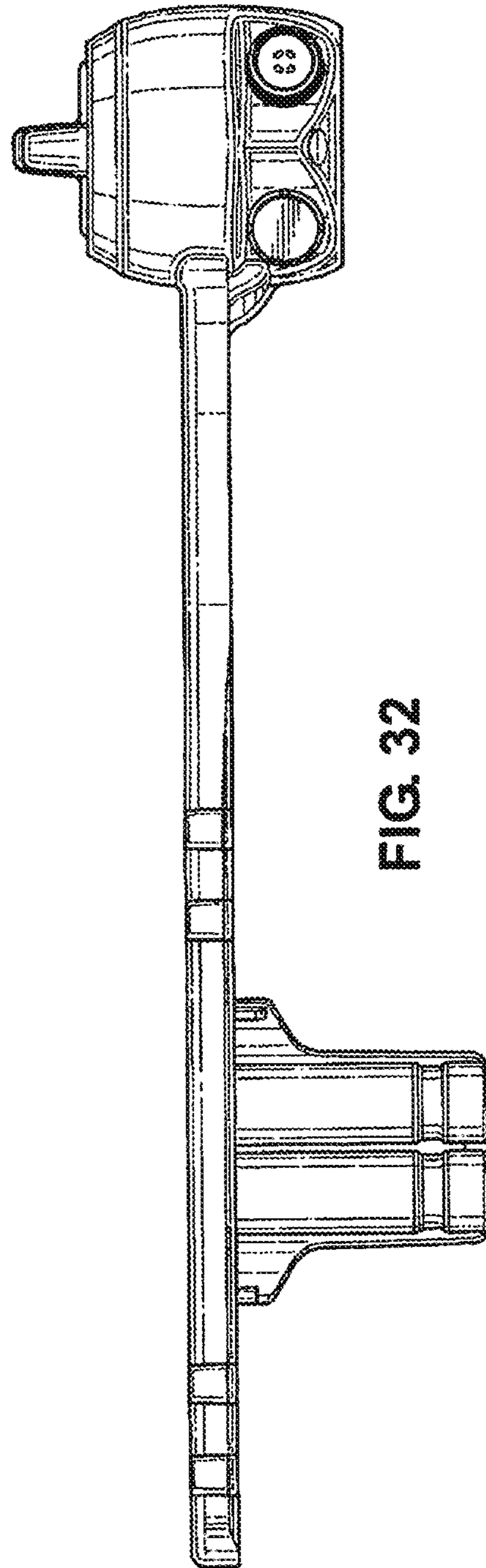


FIG. 32

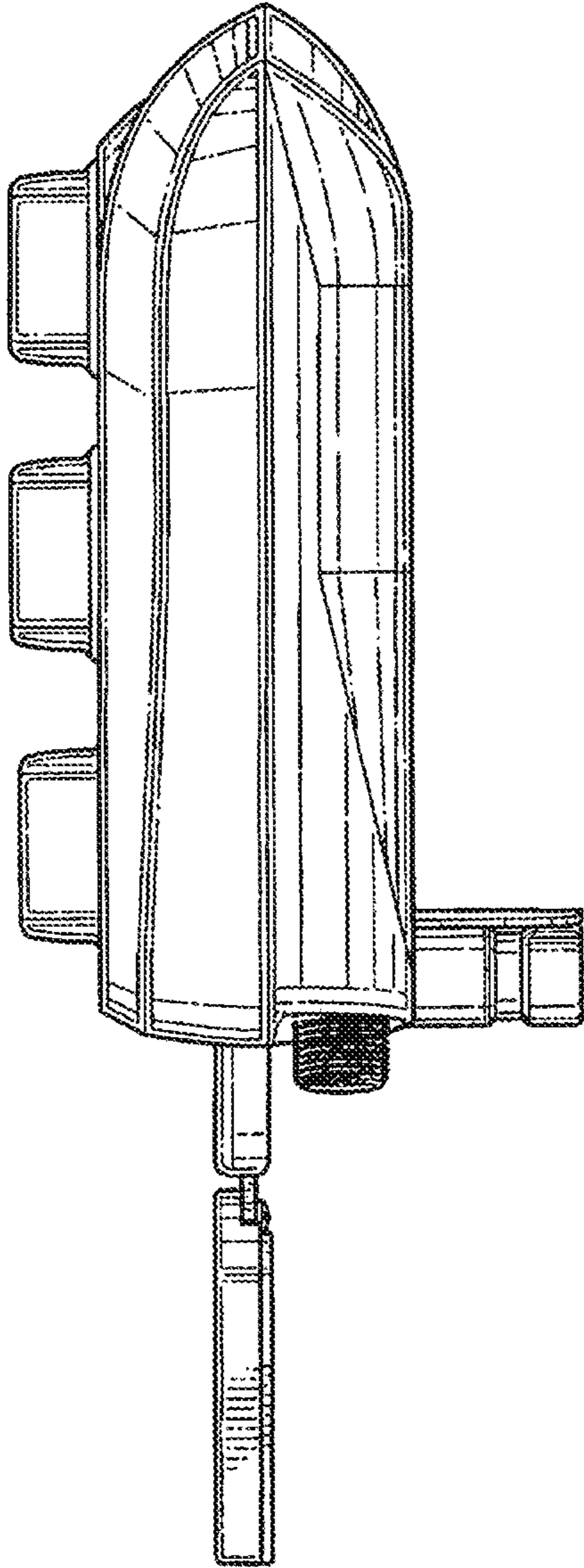


FIG. 33

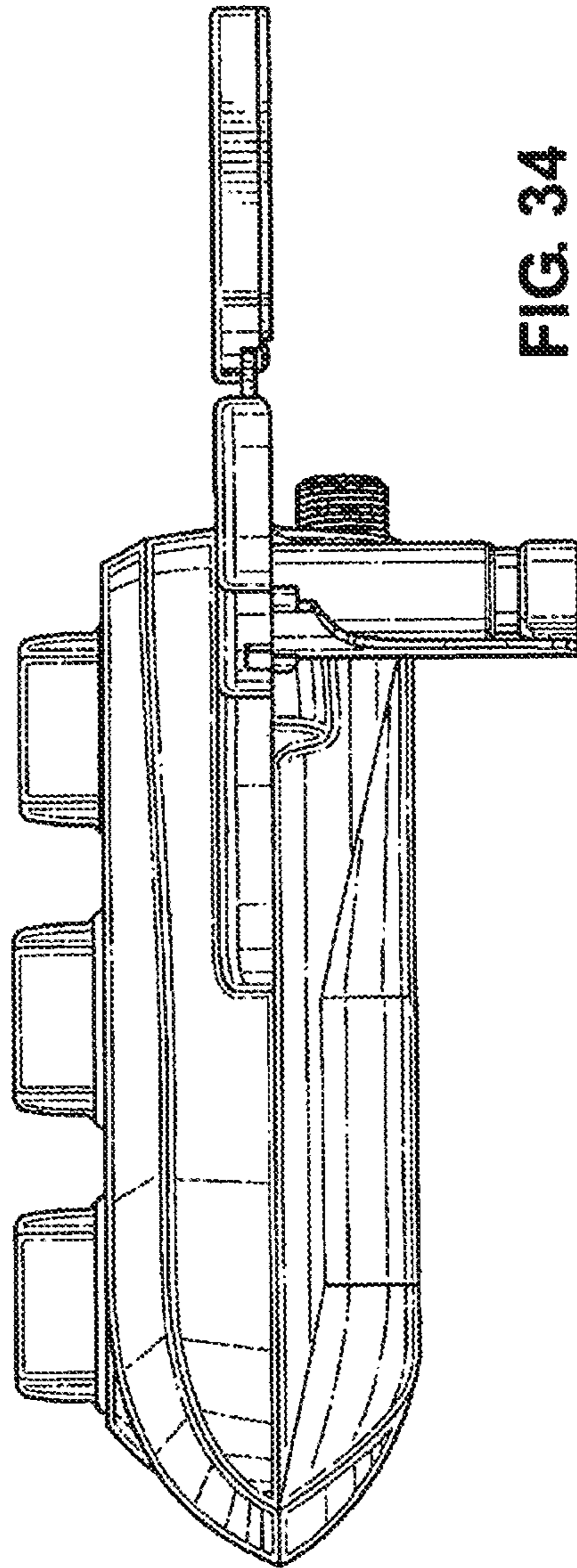


FIG. 34

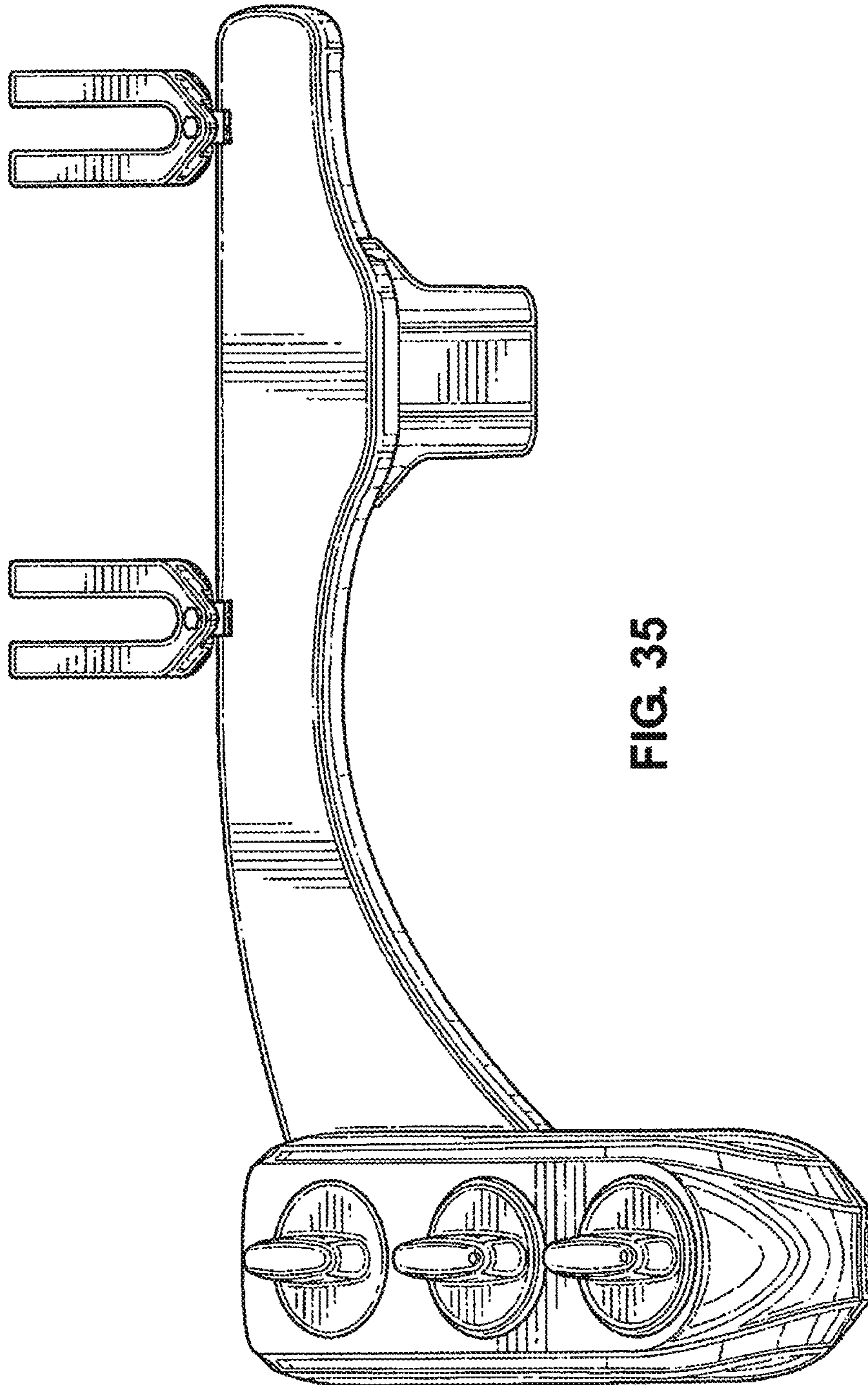


FIG. 35

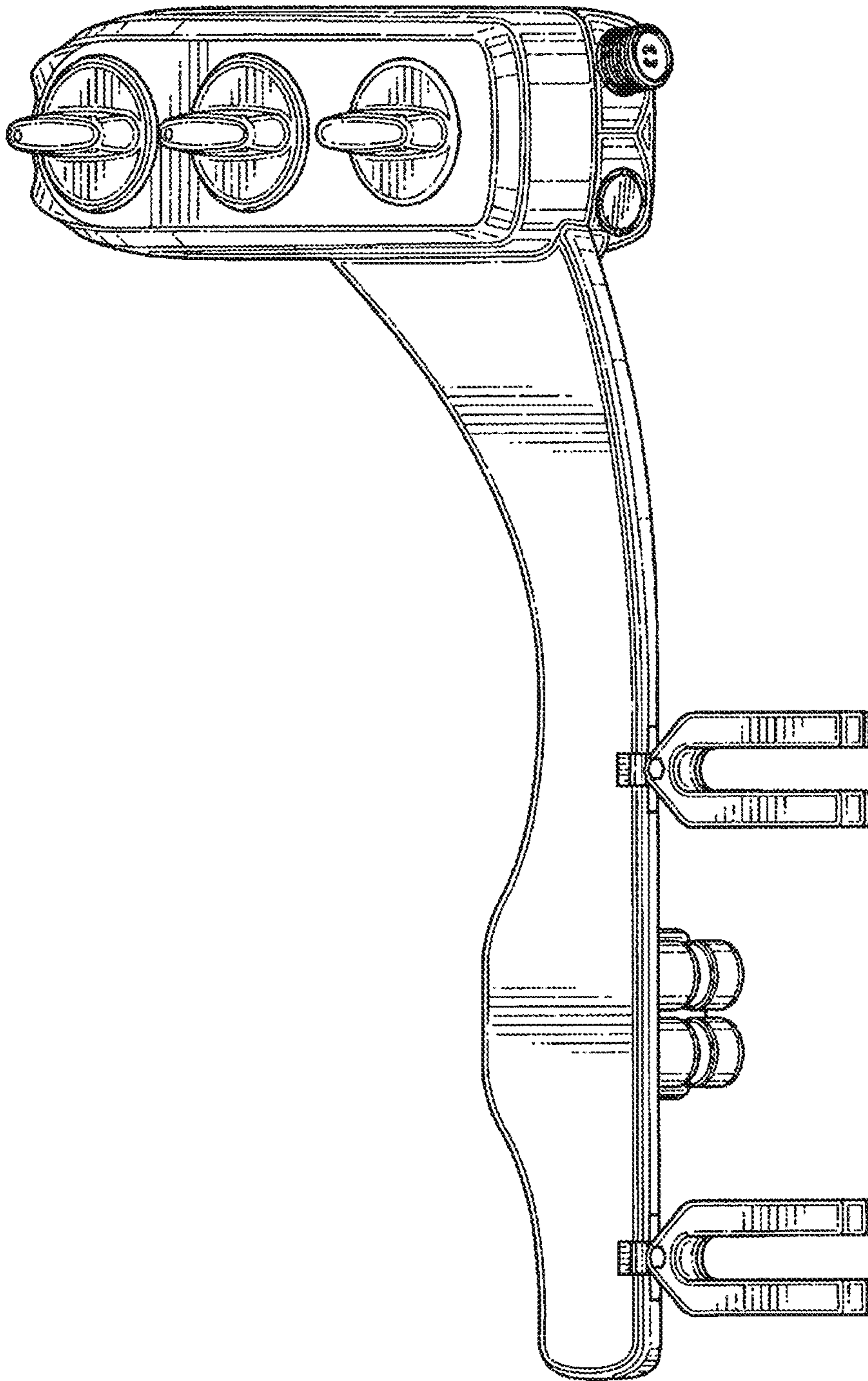


FIG. 36

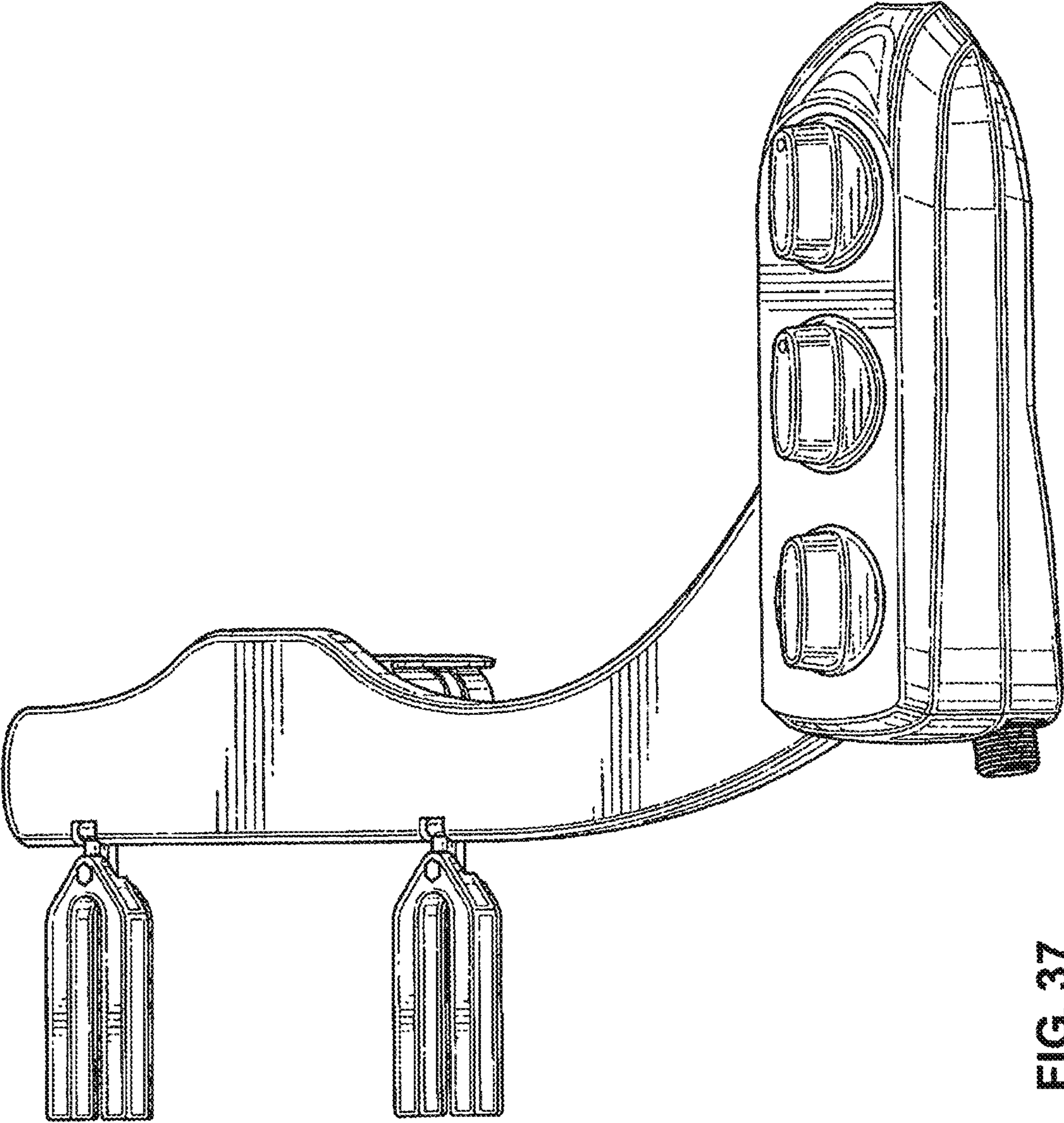


FIG. 37

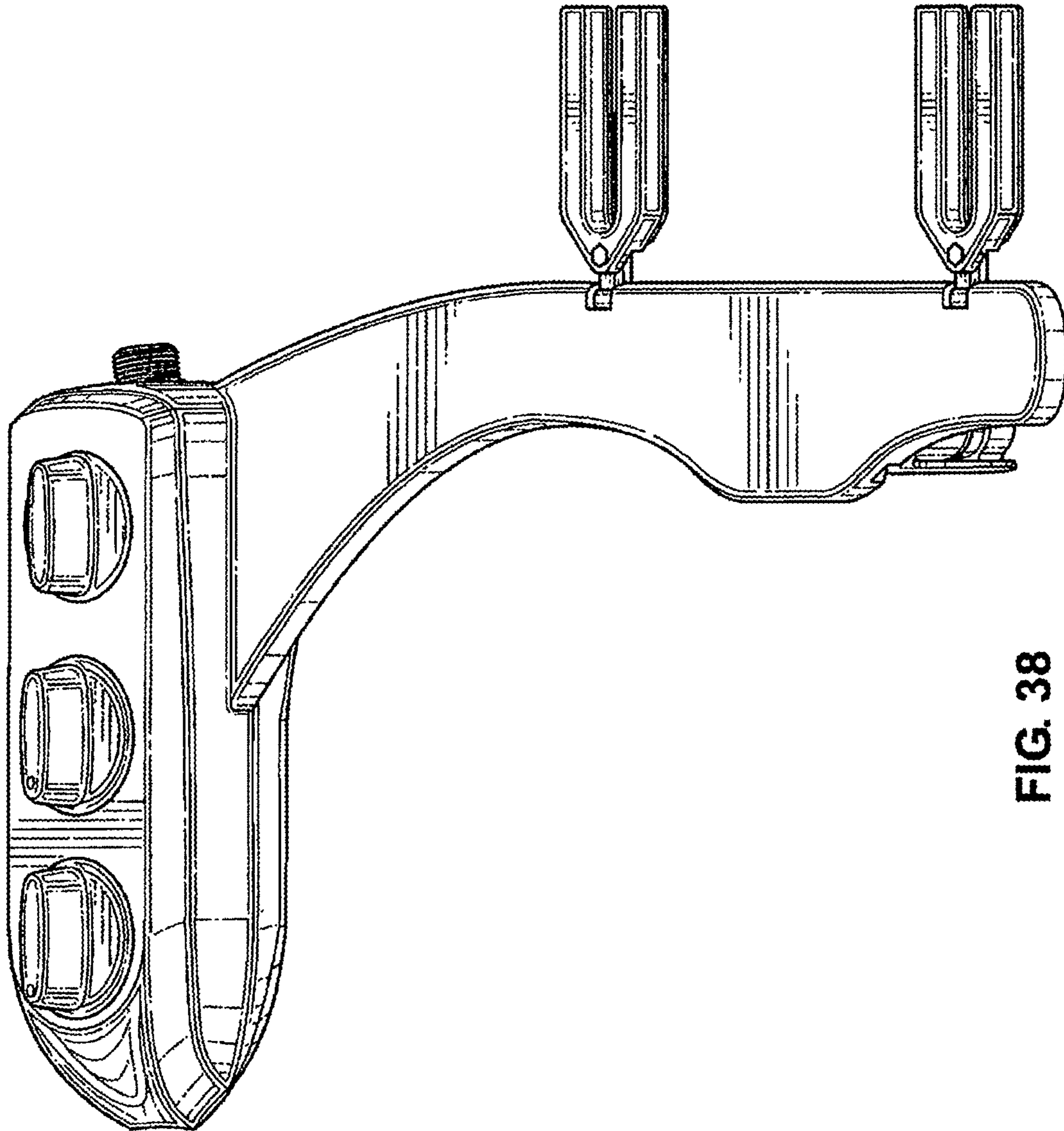


FIG. 38

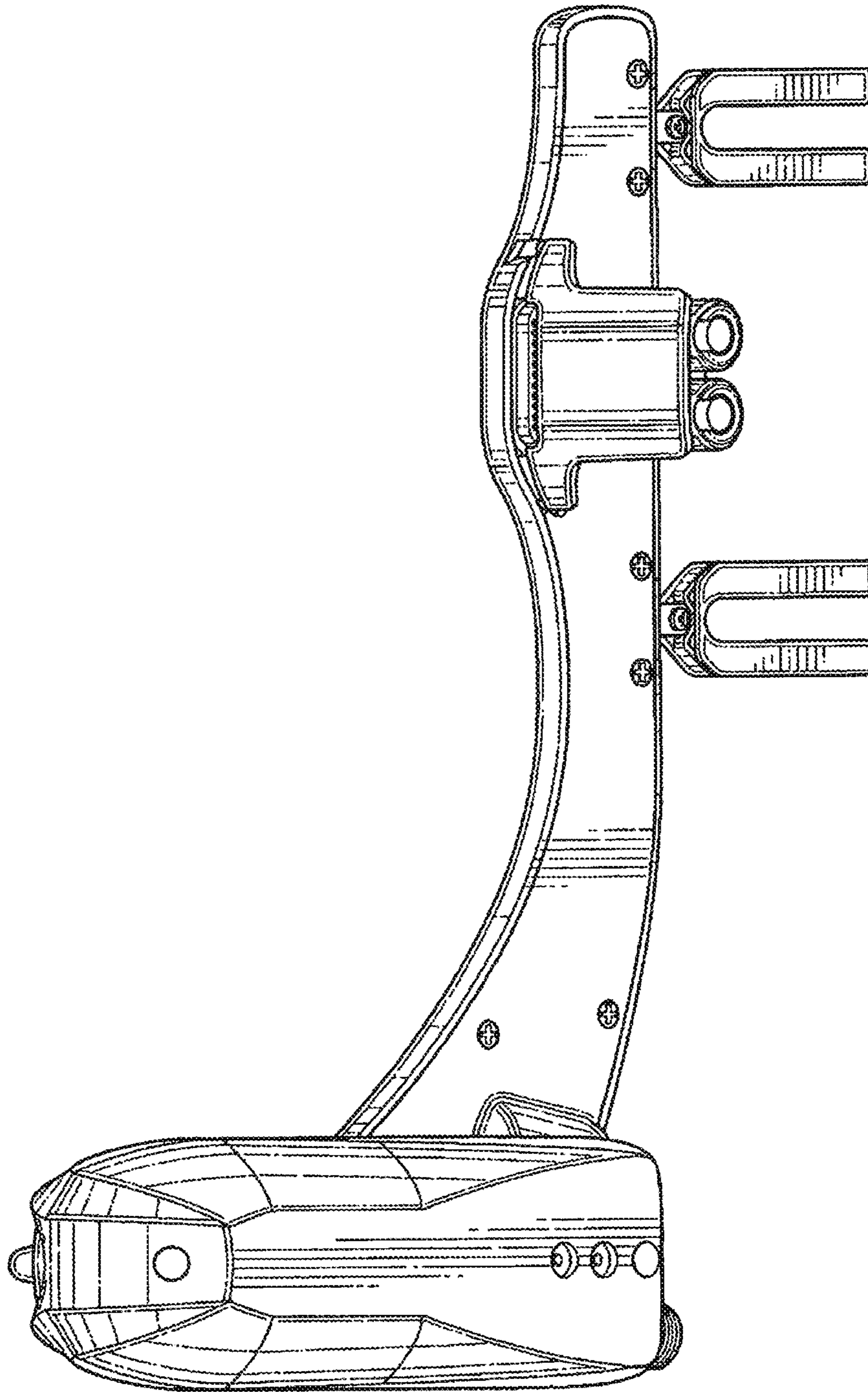


FIG. 39

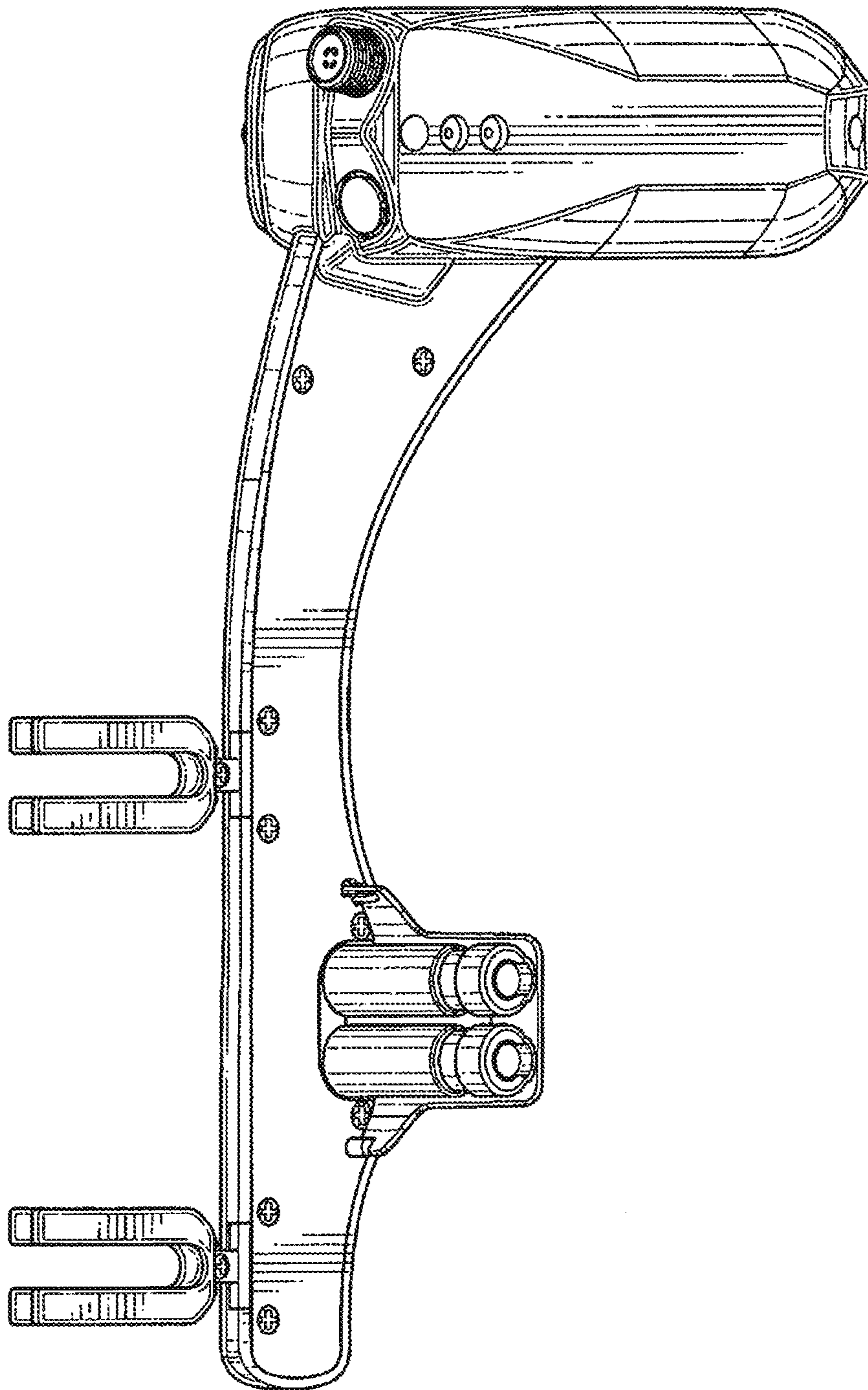


FIG. 40

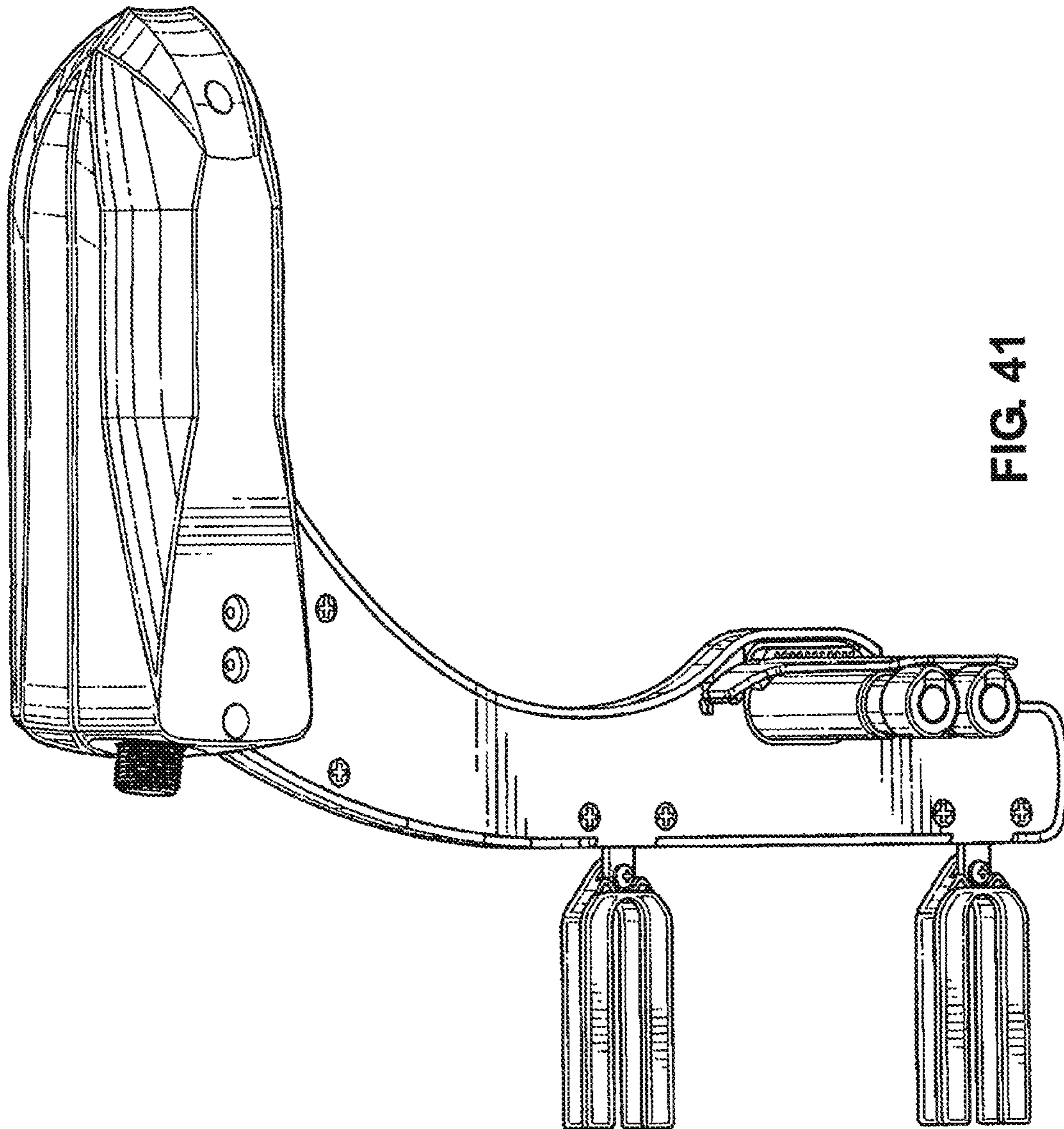


FIG. 41

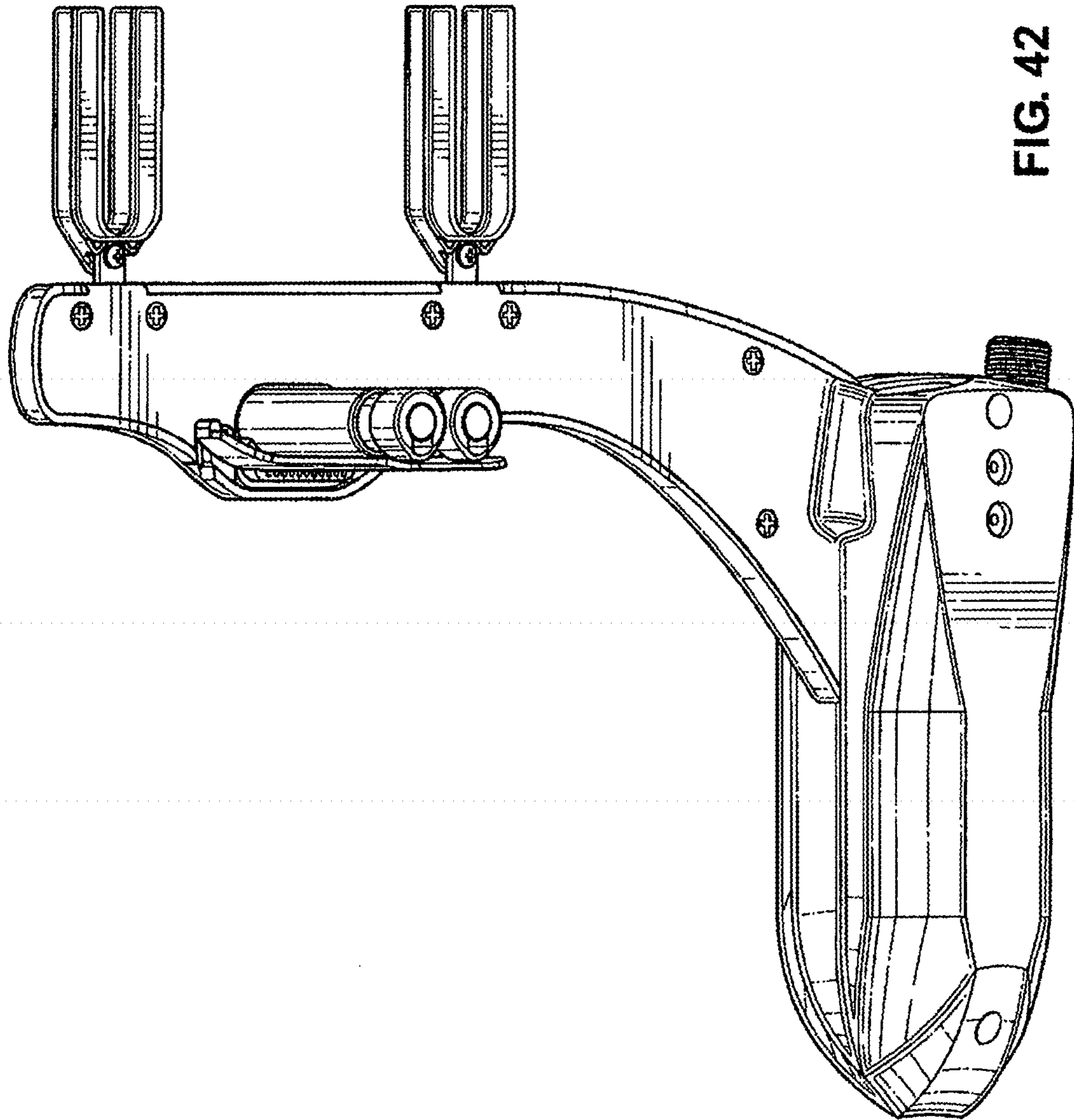


FIG. 42