



US00D874620S

(12) **United States Design Patent** (10) **Patent No.:** **US D874,620 S**  
**Diana** (45) **Date of Patent:** **\*\* Feb. 4, 2020**

(54) **PORTABLE TOILET**

8/8158; A61K 8/85; A61K 8/86; A61K 8/87; A61K 9/0053; A61K 9/14

(71) Applicant: **YLDA S.P.A.**, Certaldo (IT)

See application file for complete search history.

(72) Inventor: **Antonella Diana**, Montaione (IT)

(56) **References Cited**

(73) Assignee: **YLDA S.P.A.**, Certaldo (Florence) (IT)

U.S. PATENT DOCUMENTS

(\*\*) Term: **15 Years**

D222,061 S *	9/1971	Rutzick .....	D23/299
D536,076 S *	1/2007	Delaney .....	D23/299
D620,090 S *	7/2010	Jenner .....	D23/299
D730,501 S *	5/2015	Jenner .....	D23/296
D743,011 S *	11/2015	Woodside .....	D23/299

(21) Appl. No.: **35/505,907**

\* cited by examiner

(22) Filed: **Apr. 18, 2018**

(80) **Hague Agreement Data**

*Primary Examiner* — Khawaja Anwar

Int. Filing Date: **Apr. 18, 2018**

(74) *Attorney, Agent, or Firm* — Lucas & Mercanti, LLP

Int. Reg. No.: **DM/100963**

Int. Reg. Date: **Apr. 18, 2018**

Int. Reg. Pub. Date: **Oct. 19, 2018**

(57) **CLAIM**

The ornamental design for portable toilets, as shown and described.

(51) **LOC (12) Cl.** ..... **23-02**

**DESCRIPTION**

(52) **U.S. Cl.**

USPC ..... **D23/299**

(58) **Field of Classification Search**

USPC ..... D23/296, 297, 299, 303, 309, 311, 312

CPC .. A61K 2300/00; A61K 45/06; A61K 31/165;

A61K 31/343; A61K 31/365; A61K

31/381; A61K 31/4015; A61K 31/4184;

A61K 31/555; A61K 31/7036; A61K

2800/58; A61K 31/00; A61K 31/295;

A61K 31/401; A61K 8/19; A61K 8/25;

A61K 8/33; A61K 8/361; A61K 8/365;

A61K 8/368; A61K 8/41; A61K 8/42;

A61K 8/65; A61K 8/732; A61K 8/733;

A61K 8/736; A61K 8/8152; A61K

1. Portable toilet

**1.1** : Perspective

**1.2** : Front

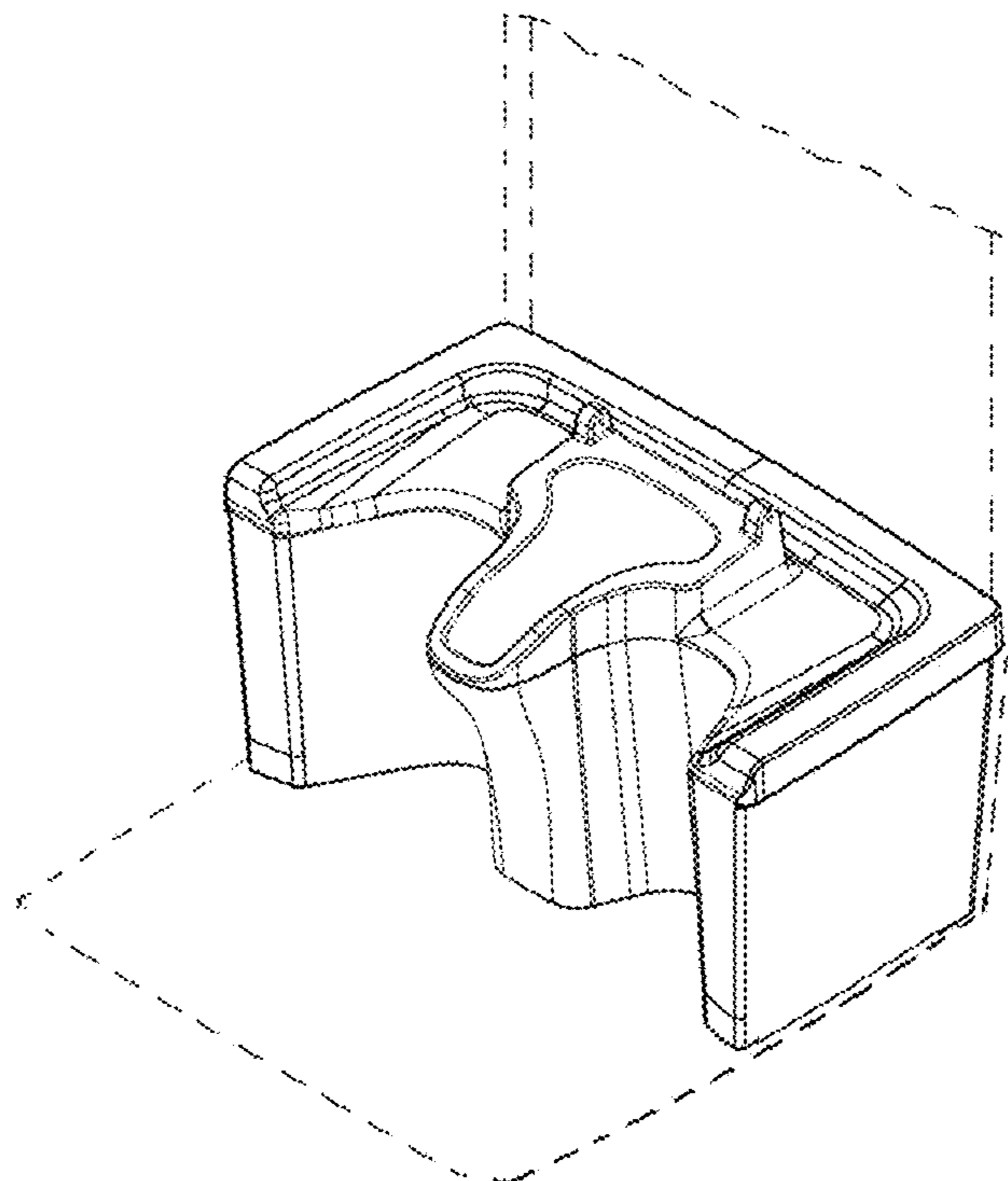
**1.3** : Right

**1.4** : Top

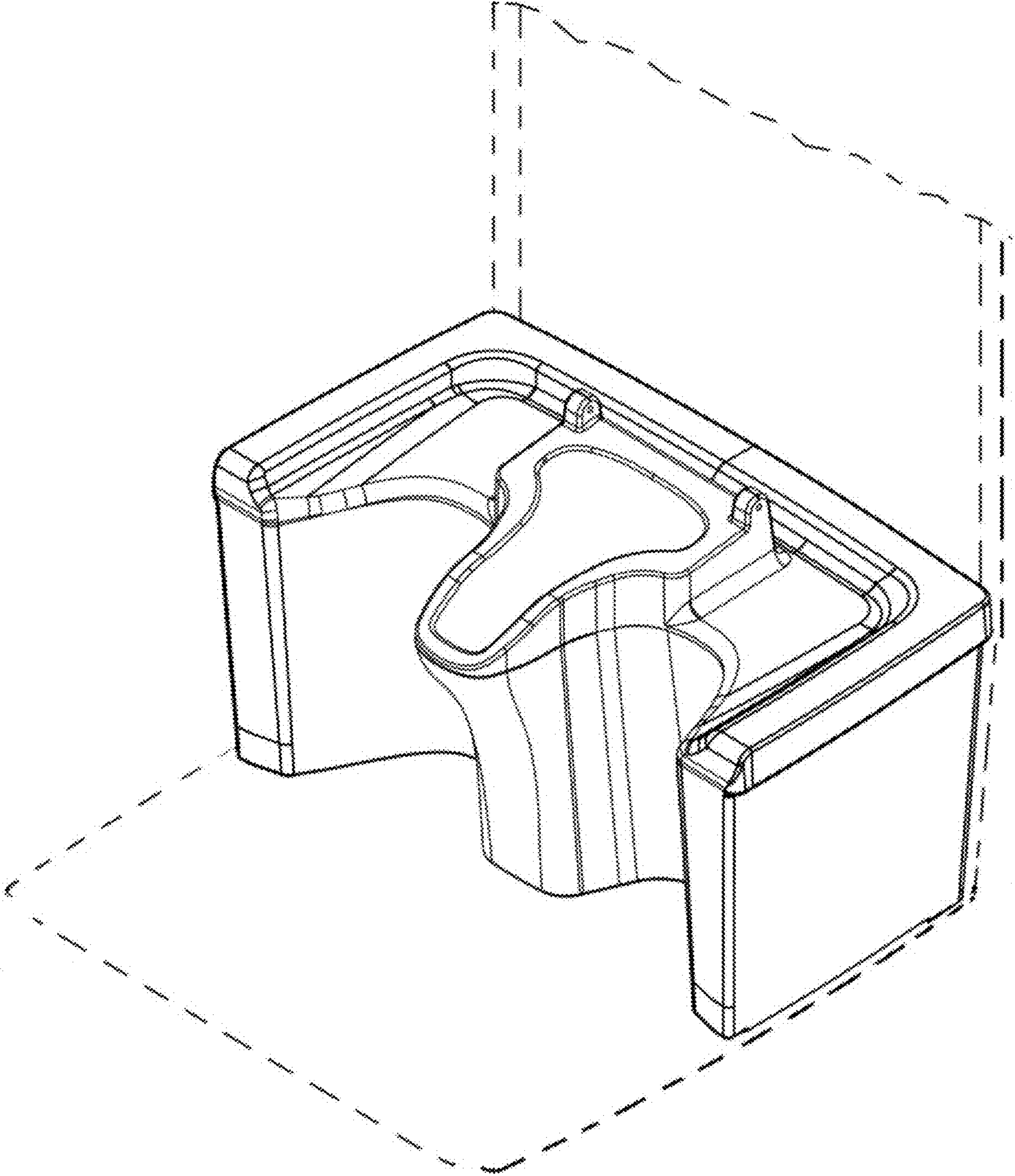
**1.5** : Cross-sectional

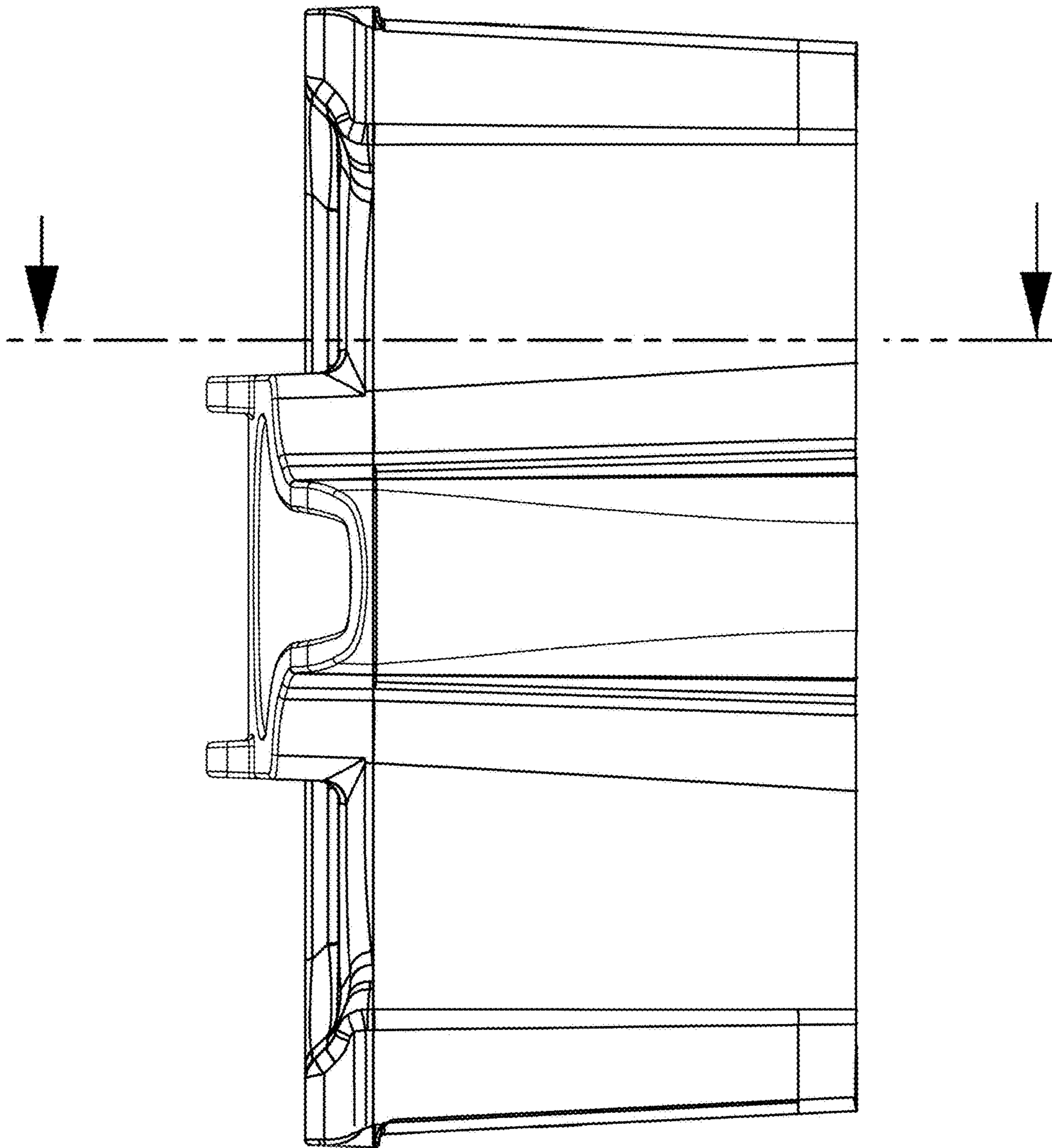
FIG. **1.5** is a cross-sectional view of the design sectioned vertically as per the sectional plane and arrows shown in FIG. **1.2**; the parts shown by means of broken lines in FIG. **1.1** are for environmental purposes only, and form no part of the claimed design.

**1 Claim, 5 Drawing Sheets**



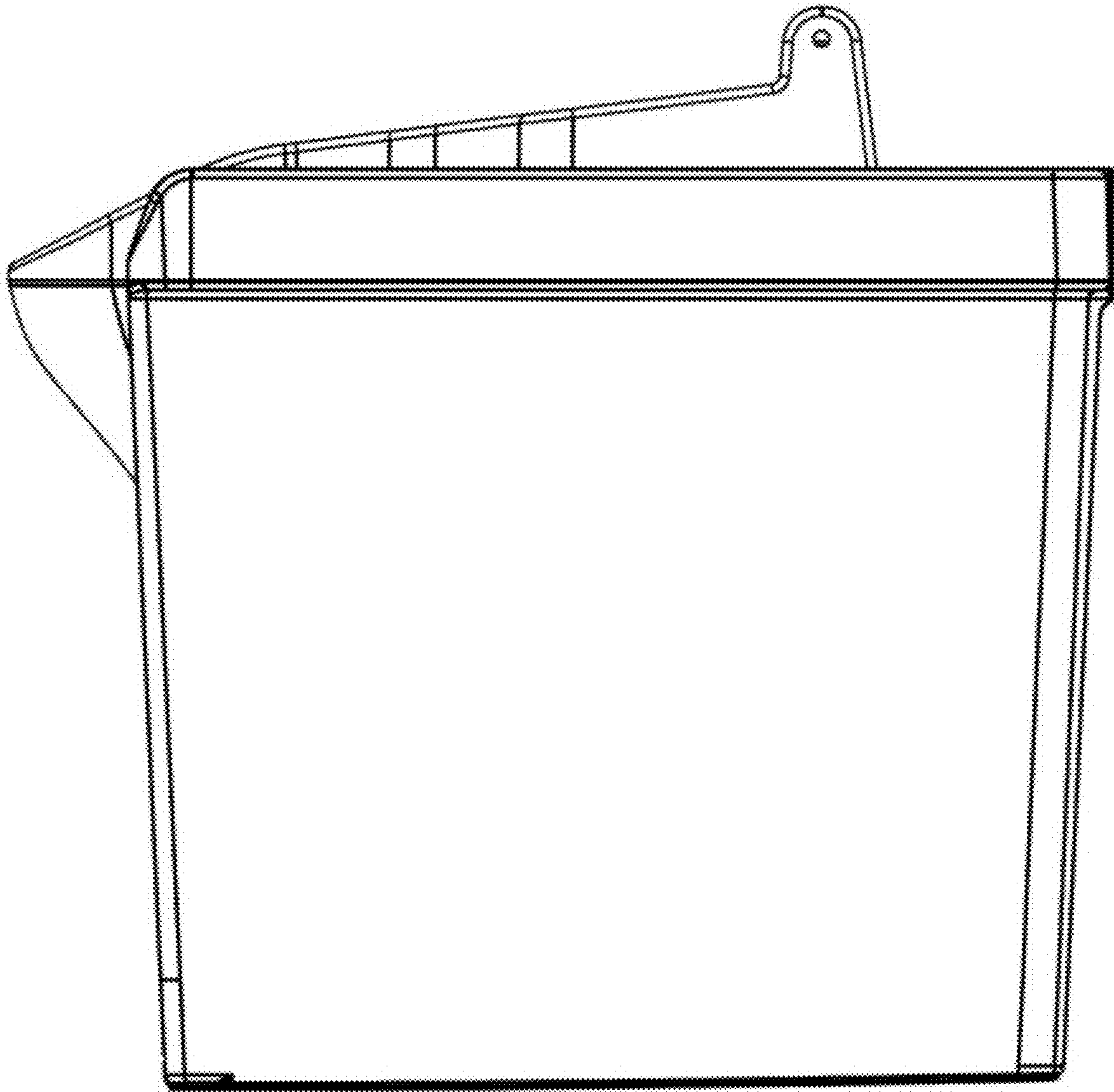
1.1



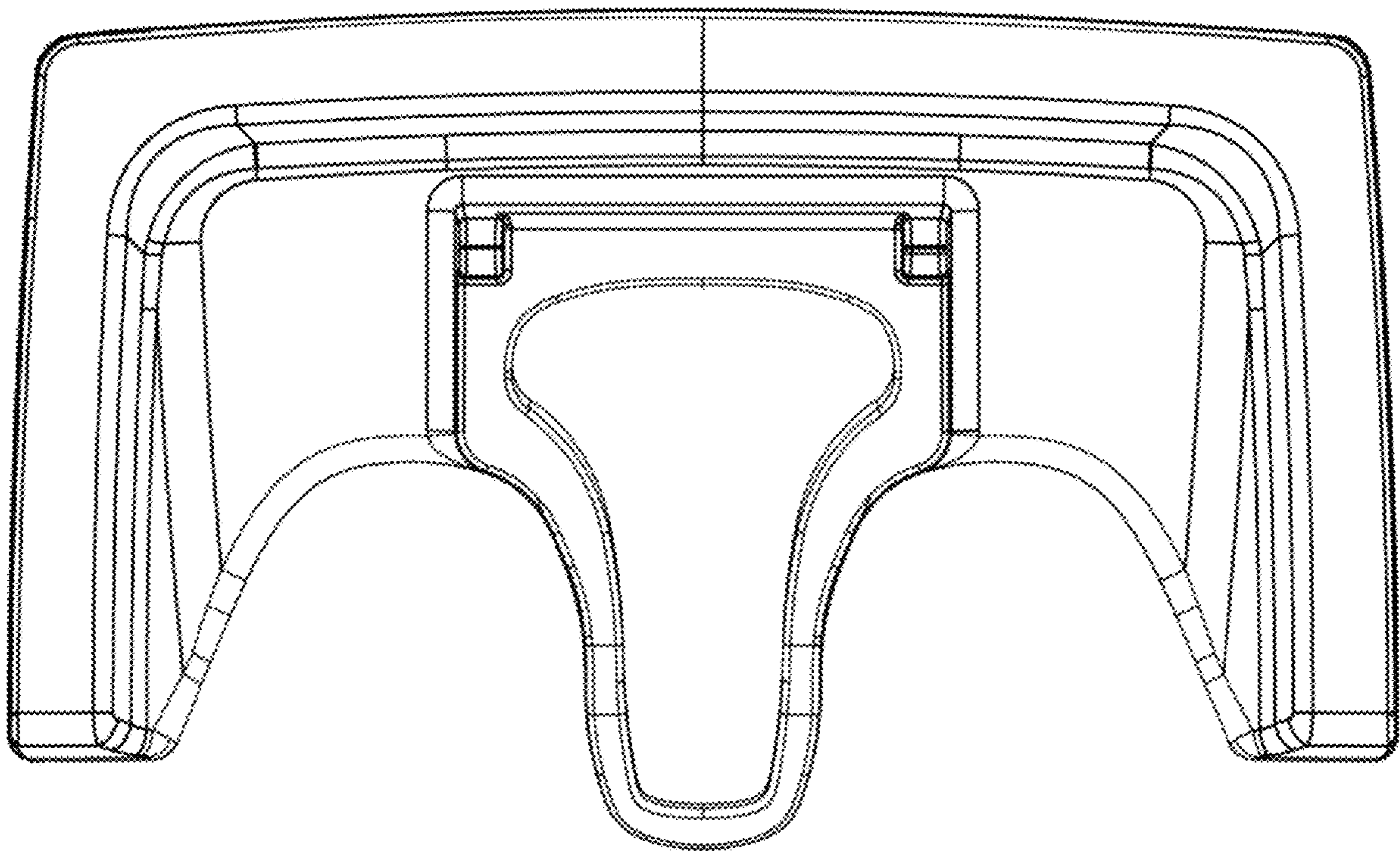


1.2

1.3



1.4



1.5

