



US00D874616S

(12) **United States Design Patent** (10) **Patent No.:** **US D874,616 S**
Judge (45) **Date of Patent:** **** Feb. 4, 2020**

(54) **FAUCET HANDLE**

(71) Applicant: **DELTA FAUCET COMPANY**,
Indianapolis, IN (US)

(72) Inventor: **Jack William Judge**, Indianapolis, IN
(US)

(73) Assignee: **DELTA FAUCET COMPANY**,
Indianapolis, IN (US)

(**) Term: **15 Years**

(21) Appl. No.: **29/638,221**

(22) Filed: **Feb. 26, 2018**

(51) **LOC (12) Cl.** **23-01**

(52) **U.S. Cl.**
USPC **D23/252**

(58) **Field of Classification Search**
USPC D23/238, 241–243, 249–250, 252, 254,
D23/245; D8/307–308

CPC F16K 31/60; F16K 31/602; F16K 31/605;
F16K 31/607; E03C 1/0412; E03C
1/0409

See application file for complete search history.

(56) **References Cited**

U.S. PATENT DOCUMENTS

D705,398 S *	5/2014	Flowers	D23/238
D828,508 S *	9/2018	Fritz	D23/238
D849,202 S *	5/2019	Zhang	D23/238

* cited by examiner

Primary Examiner — Robert A Delehanty

(74) *Attorney, Agent, or Firm* — Edgar A. Zarins; Nirav D. Parikh

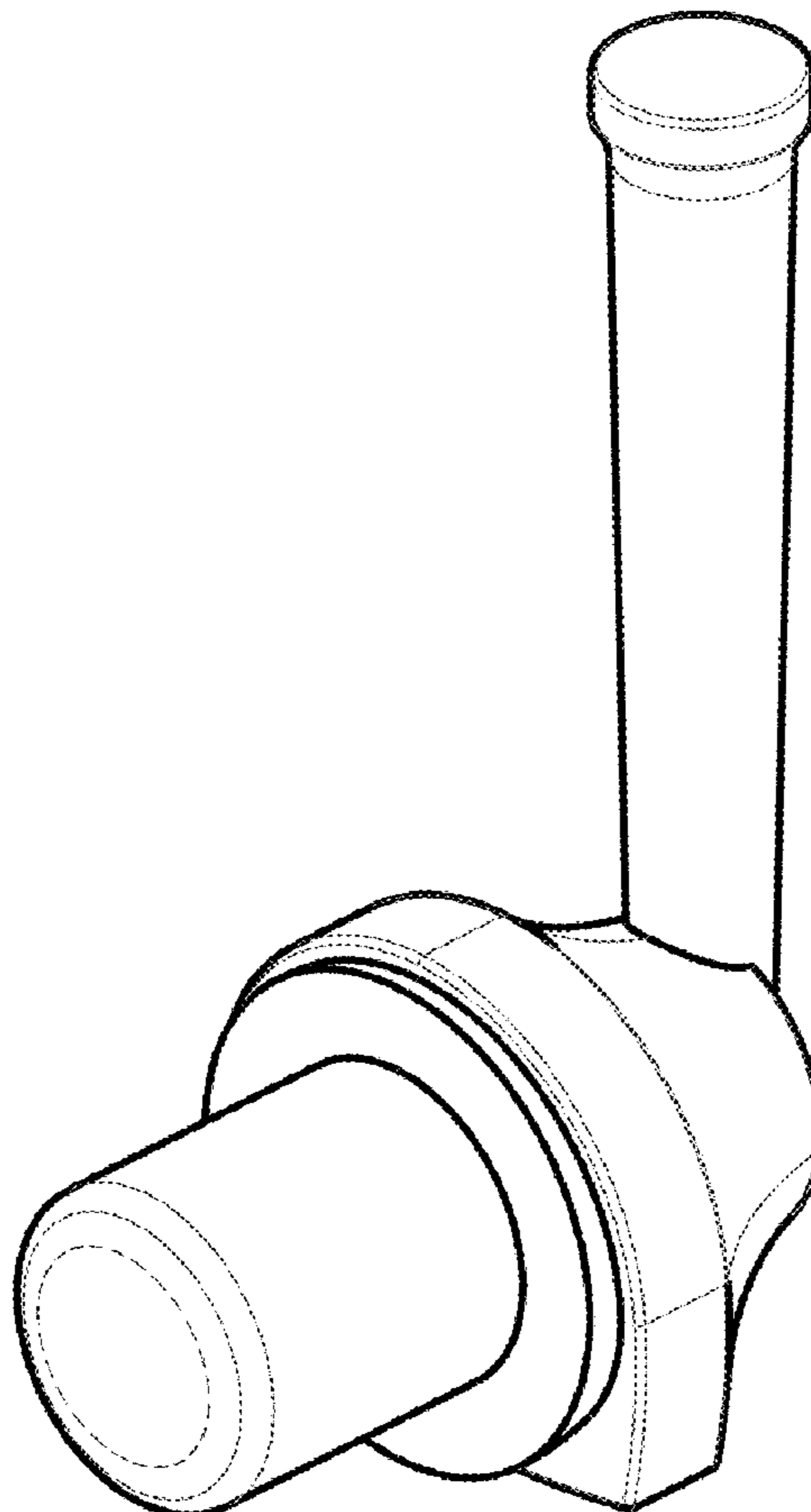
(57) **CLAIM**

The ornamental design for a faucet handle, as shown and described.

DESCRIPTION

FIG. 1 is a first perspective view of a faucet handle showing my new design;
 FIG. 2 is a second perspective view thereof;
 FIG. 3 is a front elevational view thereof;
 FIG. 4 is a first side view thereof;
 FIG. 5 is a rear view thereof;
 FIG. 6 is a second side view thereof;
 FIG. 7 is a top end view thereof; and,
 FIG. 8 is a bottom end view thereof.
 Portions of the object shown in broken lines form no part of the claimed design.

1 Claim, 4 Drawing Sheets



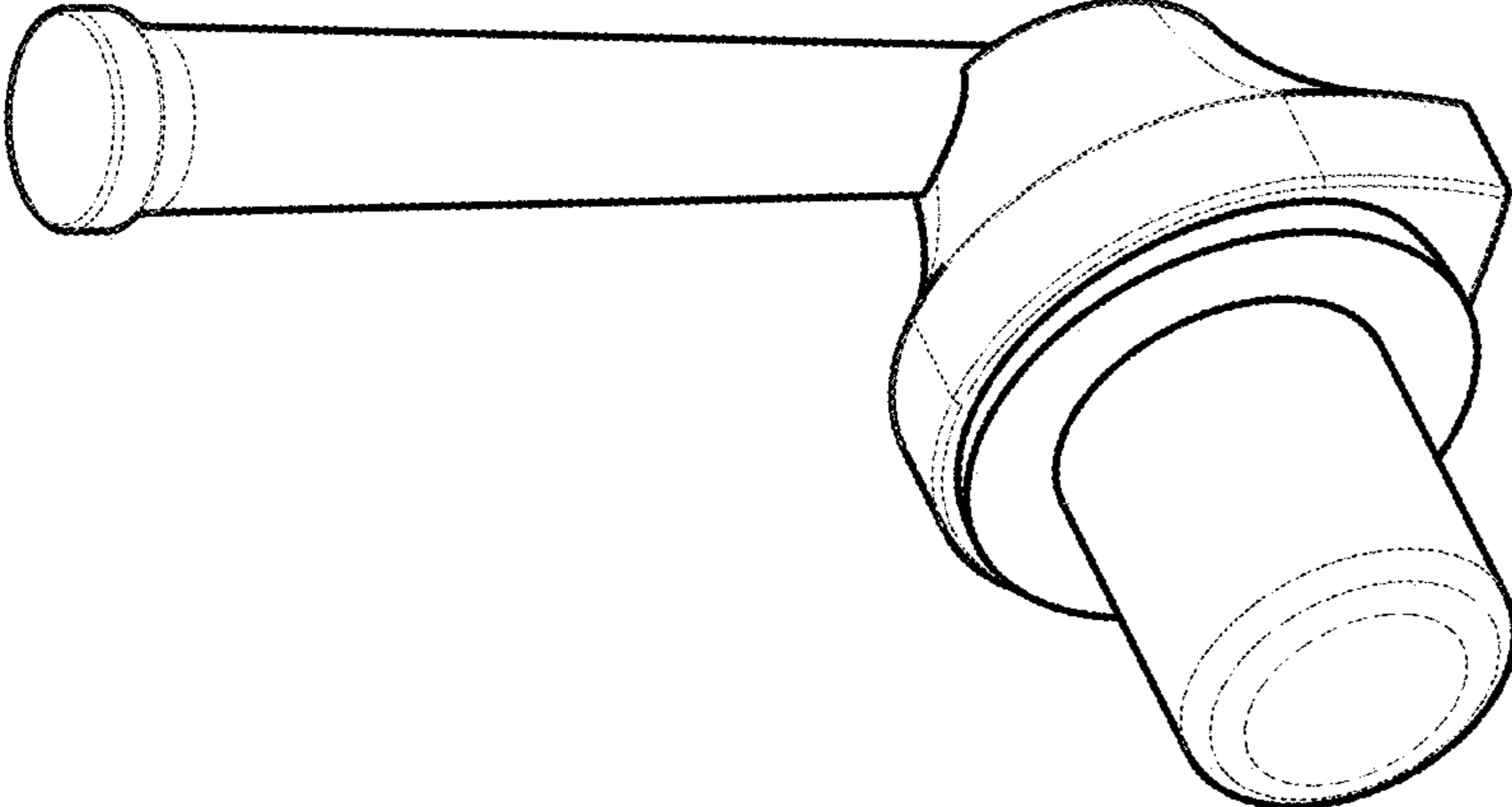


Fig. 1

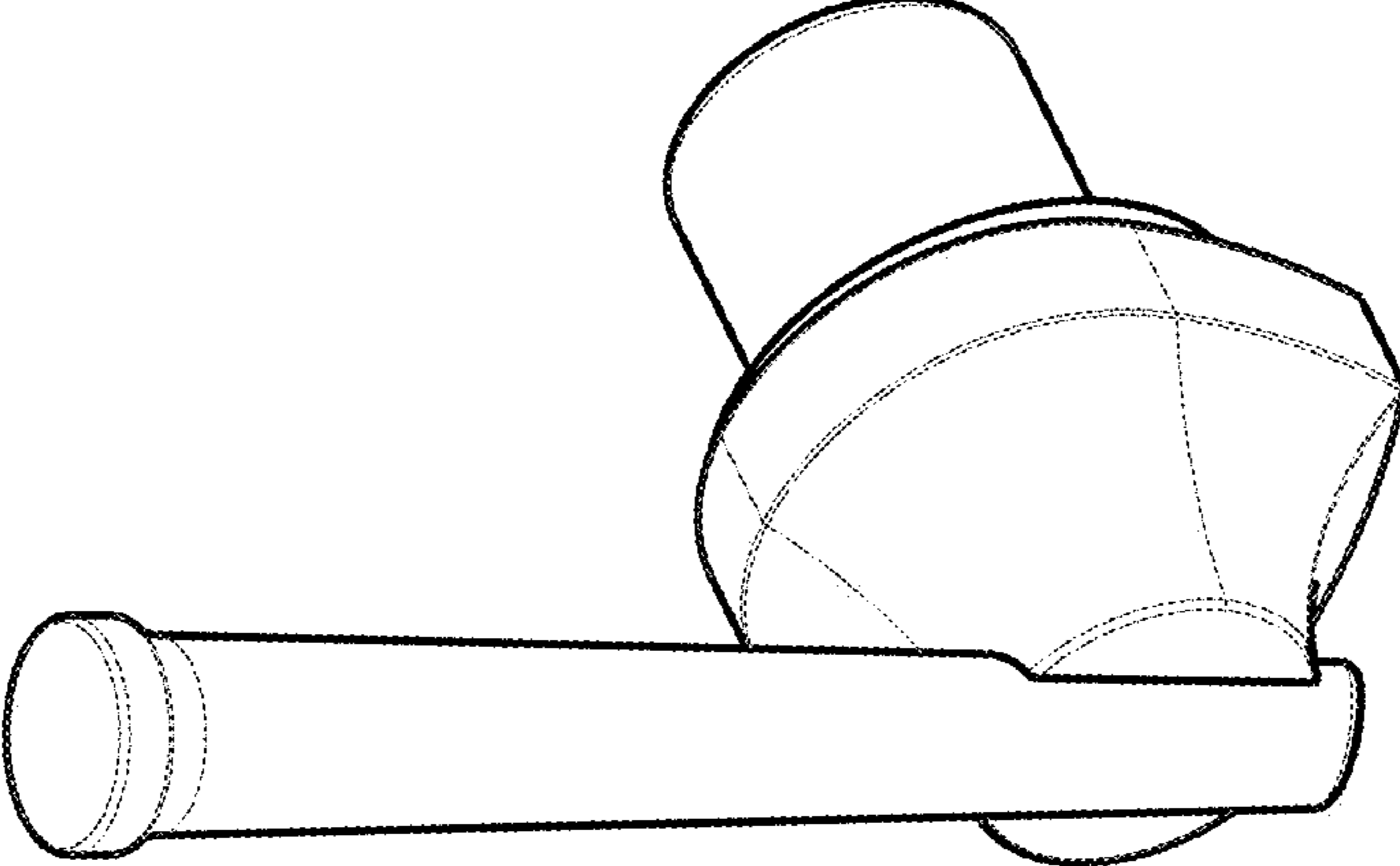


Fig. 2

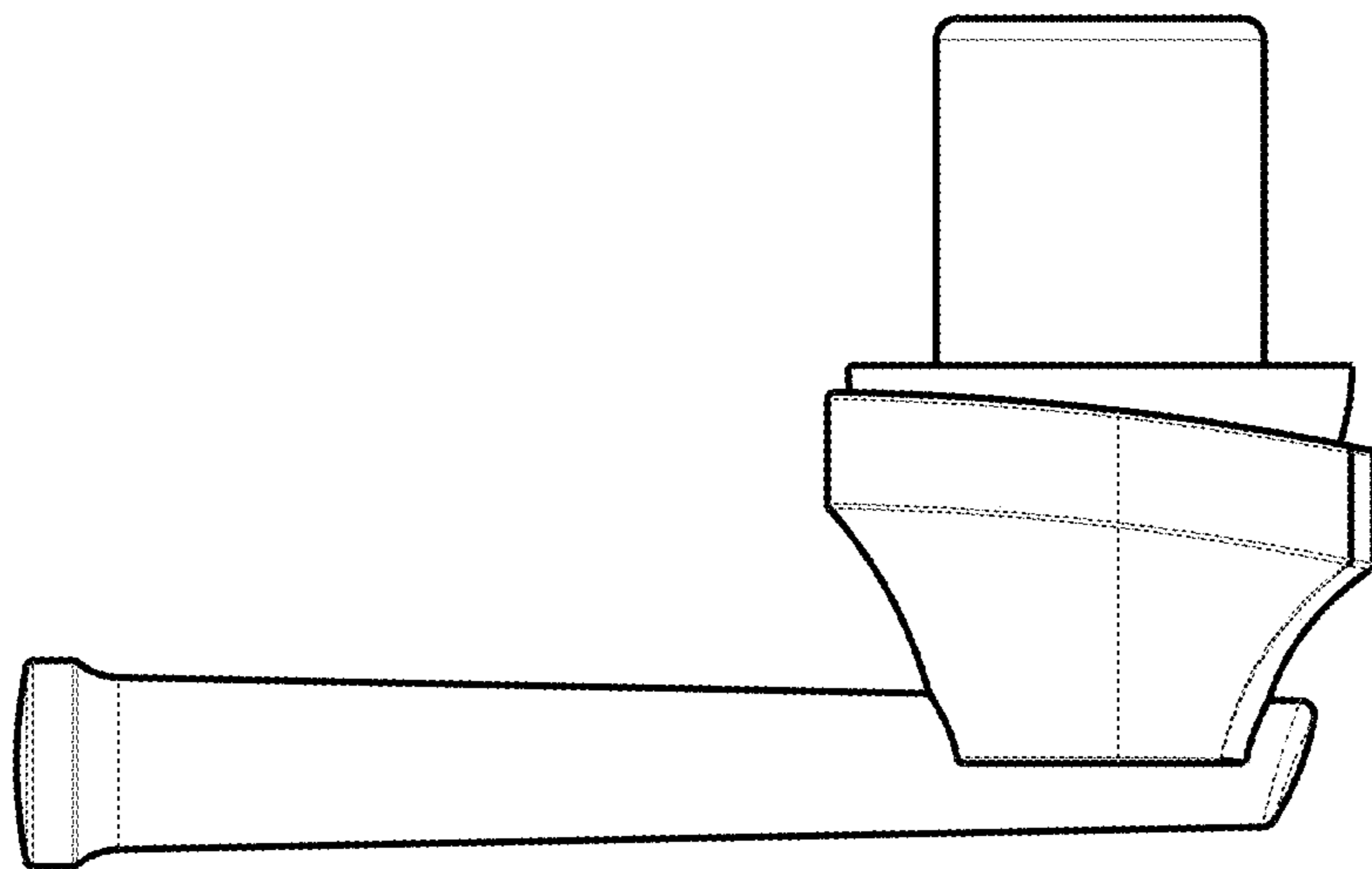


Fig. 4

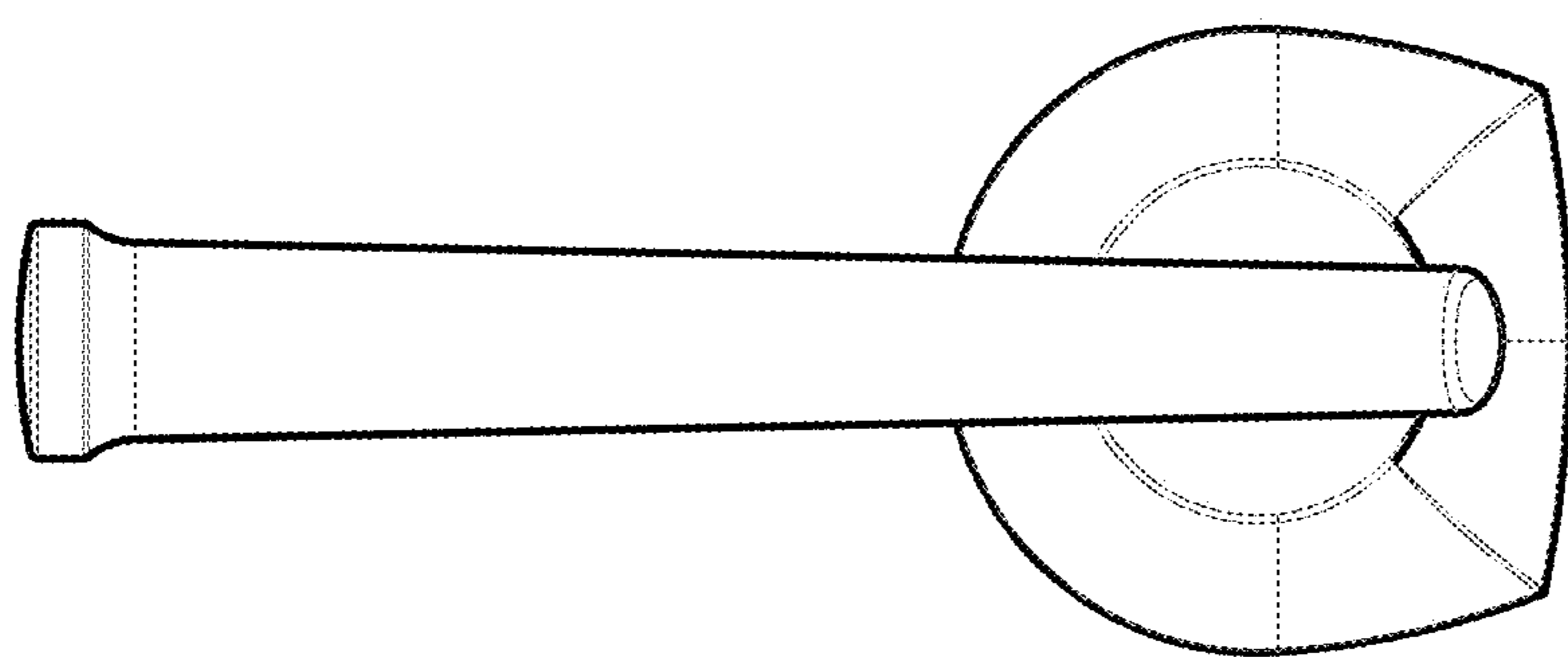


Fig. 3

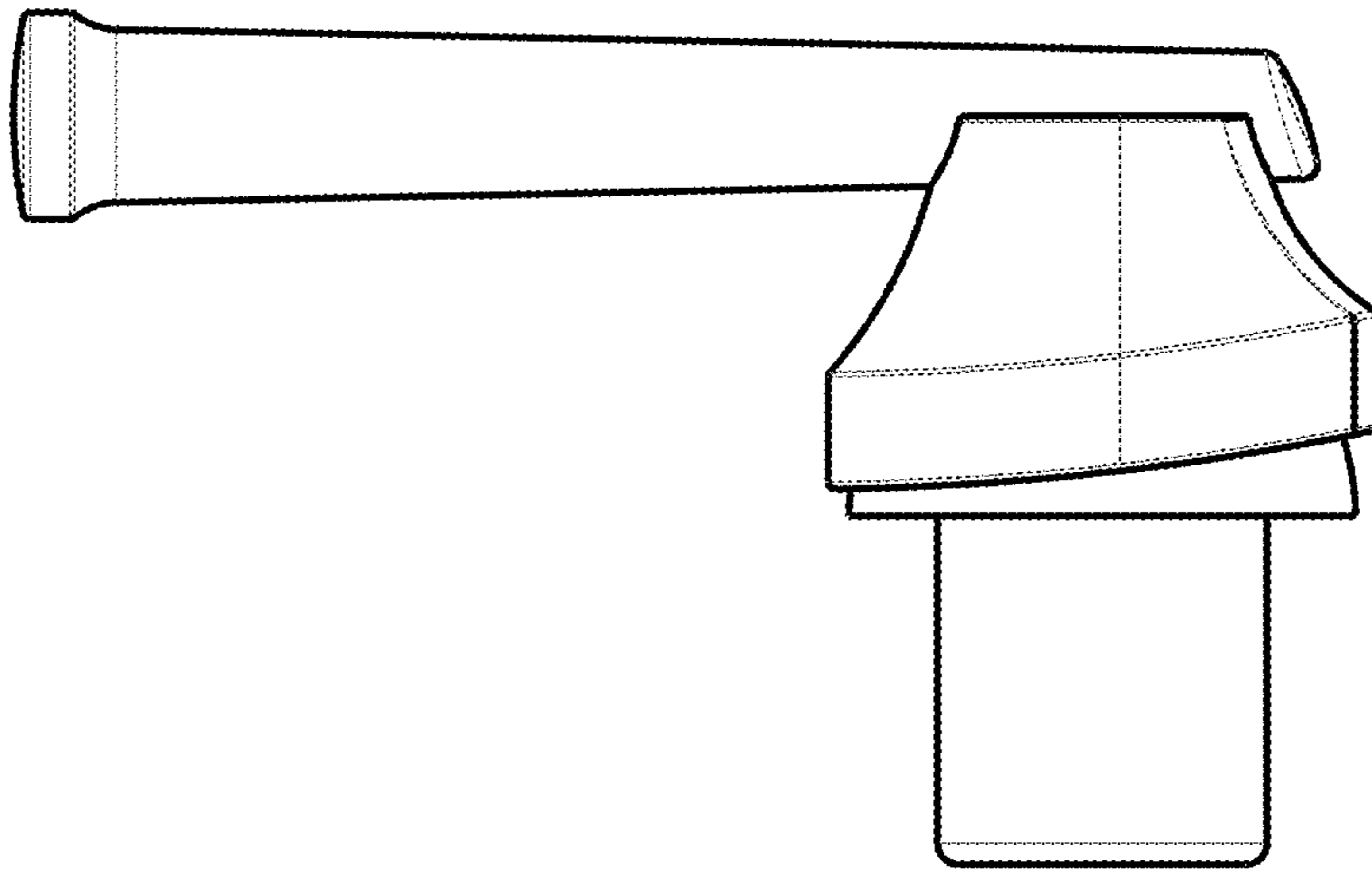


Fig. 6

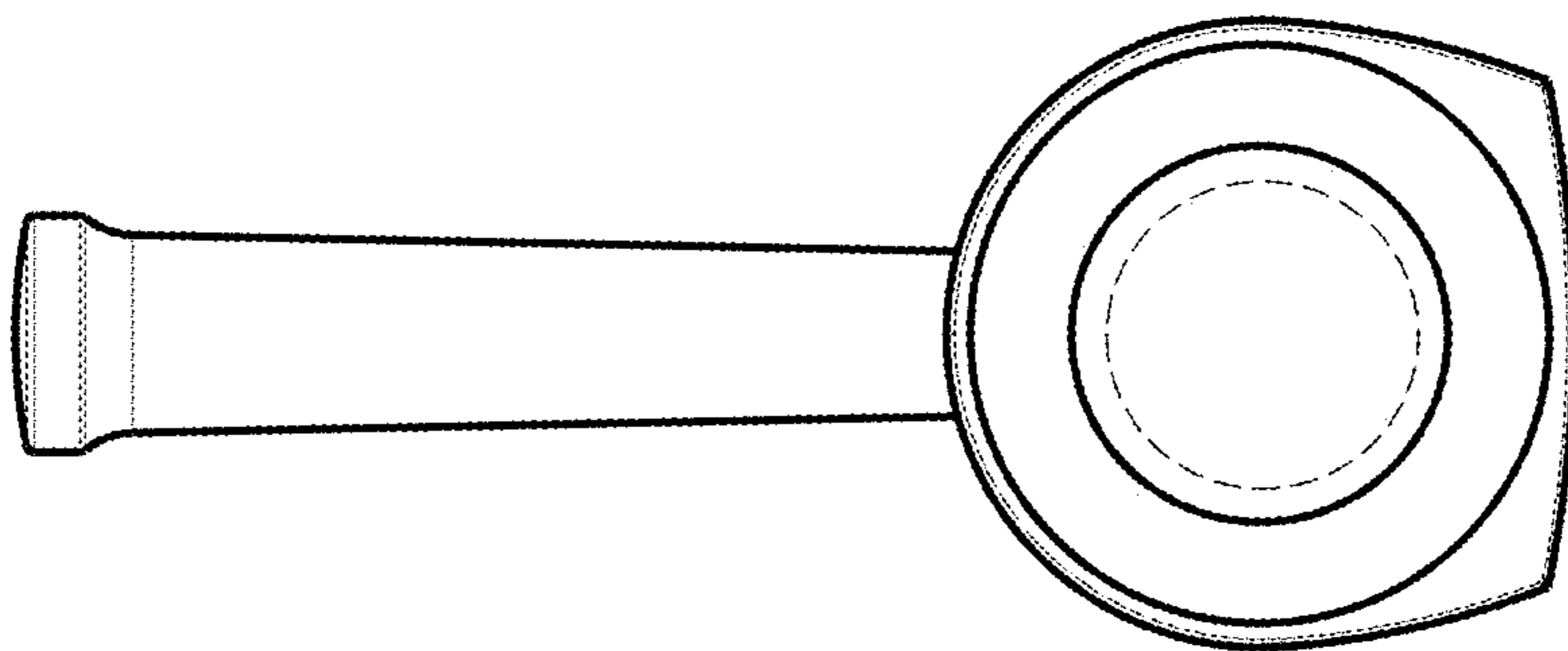


Fig. 5

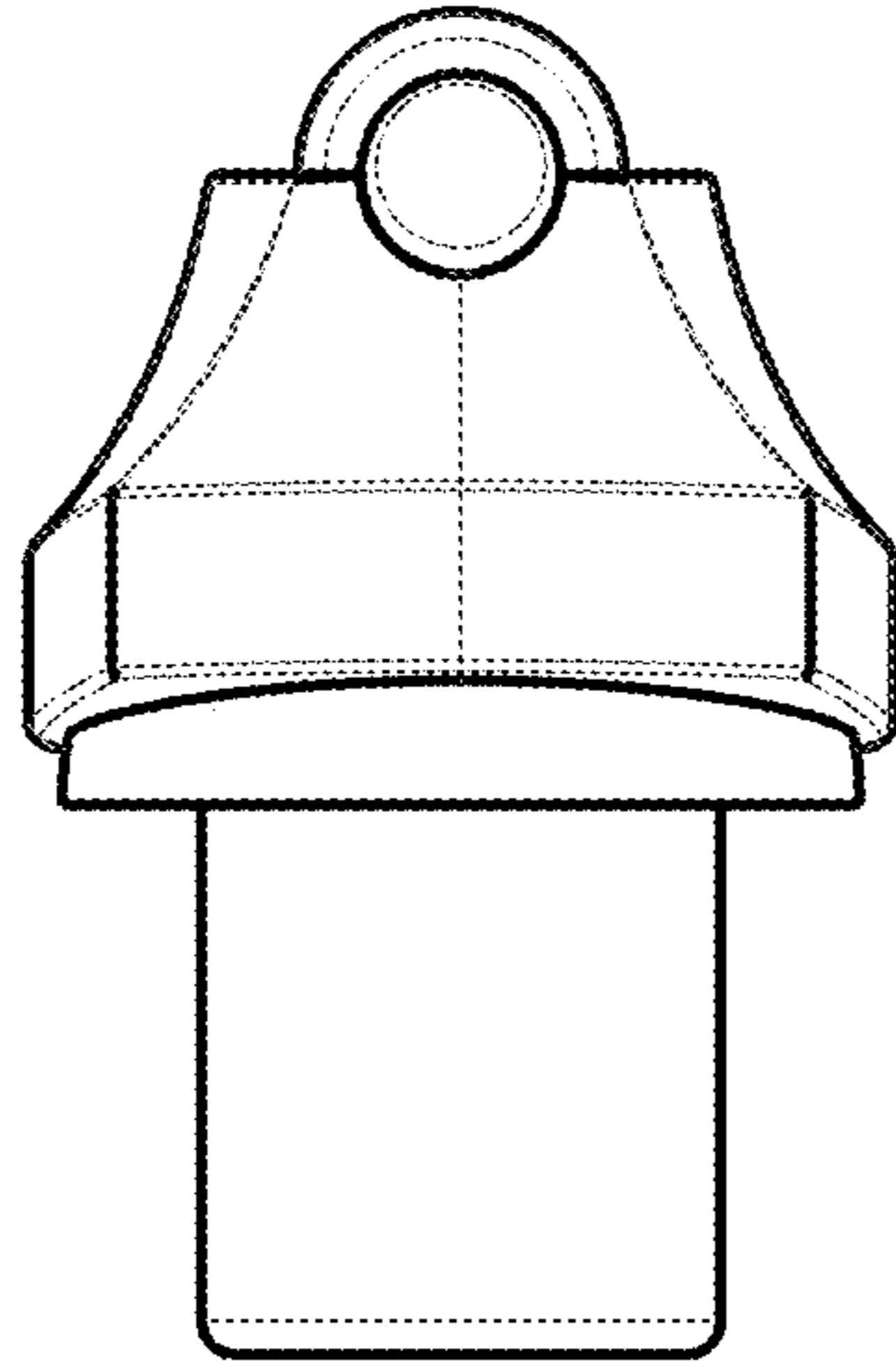


Fig. 8

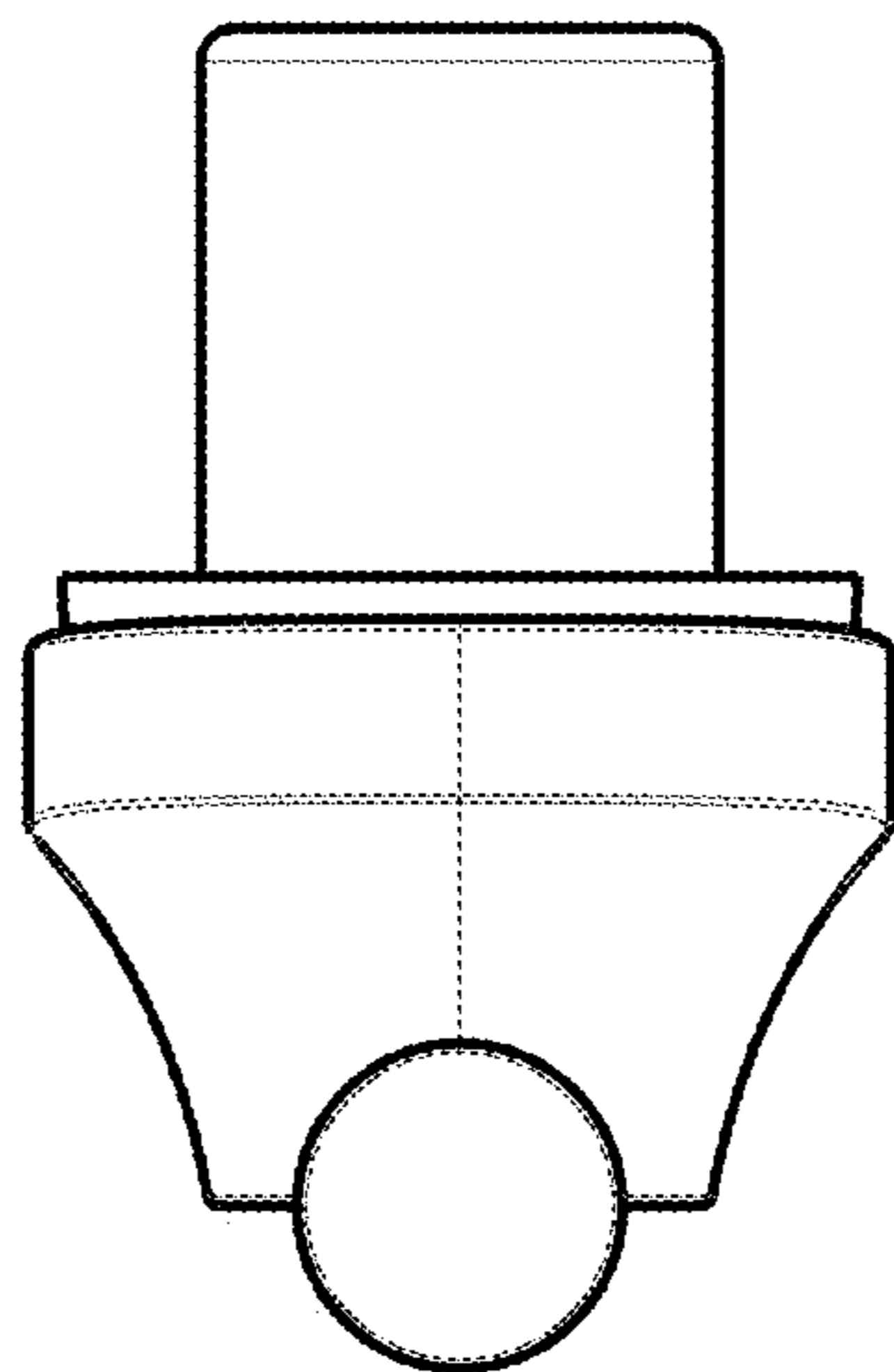


Fig. 7