



US00D874615S

(12) **United States Design Patent**
Sykes

(10) **Patent No.:** **US D874,615 S**

(45) **Date of Patent:** **** Feb. 4, 2020**

(54) **FLUSH VALVE COVER**

(71) Applicant: **Edward Sykes**, Carson, CA (US)

(72) Inventor: **Edward Sykes**, Carson, CA (US)

(**) Term: **15 Years**

(21) Appl. No.: **29/639,975**

(22) Filed: **Mar. 9, 2018**

(51) **LOC (12) Cl.** **23-01**

(52) **U.S. Cl.**
USPC **D23/249**

(58) **Field of Classification Search**
USPC D23/233-249, 259, 260; 137/15.04, 377,
137/380, 381, 382; 251/40, 38, 129.04,
251/243, 28, 29, 356
CPC F16K 27/12; F16K 35/10
See application file for complete search history.

(56) **References Cited**

U.S. PATENT DOCUMENTS

D355,478 S *	2/1995	Allen	D23/249
D357,976 S *	5/1995	Allen	D23/249
D366,929 S *	2/1996	Allen	D23/236
D367,104 S *	2/1996	Allen	D23/245
D520,111 S *	5/2006	Cheng	D23/233

D598,975 S *	8/2009	Parsons	D23/233
D800,875 S	10/2017	Sykes		
D835,242 S *	12/2018	McLennan	D23/260

* cited by examiner

Primary Examiner — Gino Colan

(74) *Attorney, Agent, or Firm* — Lawrence S. Cohen

(57) **CLAIM**

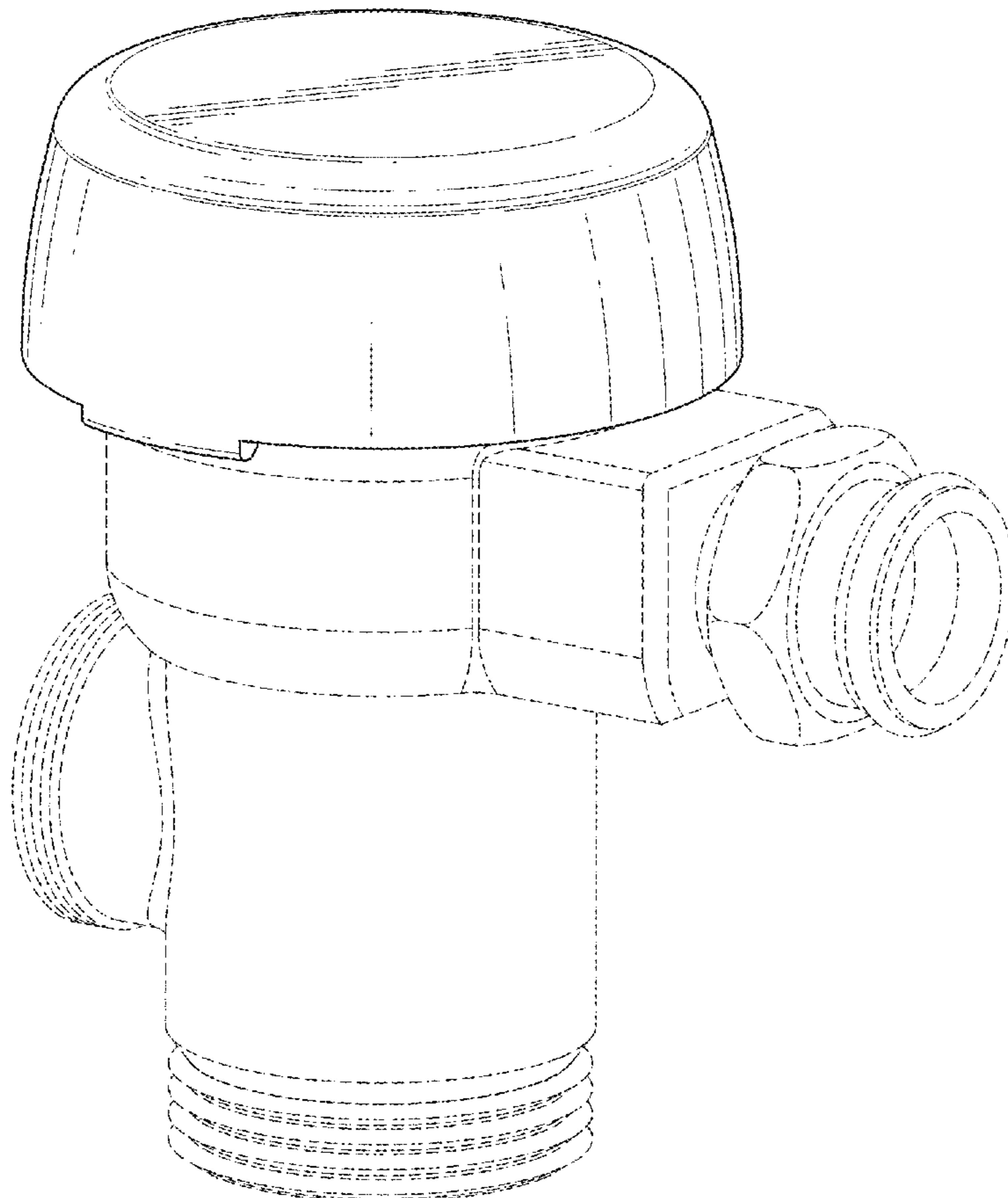
The ornamental design for a flush valve cover, as shown and described.

DESCRIPTION

FIG. 1 is a top perspective view of a flush valve cover showing my new design;
FIG. 2 is a bottom perspective view thereof;
FIG. 3 is a front elevational view thereof, the back elevational view being a mirror image of FIG. 3;
FIG. 4 is a side elevational view thereof, the other side elevational view being a mirror image of FIG. 4;
FIG. 5 is a top plan view thereof;
FIG. 6 is a bottom plan view thereof; and,
FIG. 7 is a cross-sectional view thereof along section line 7-7 of FIG. 6.

The broken lines showing a flush valve in FIG. 1 are included for the purpose of illustrating environment and form no part of the claimed design.

1 Claim, 4 Drawing Sheets



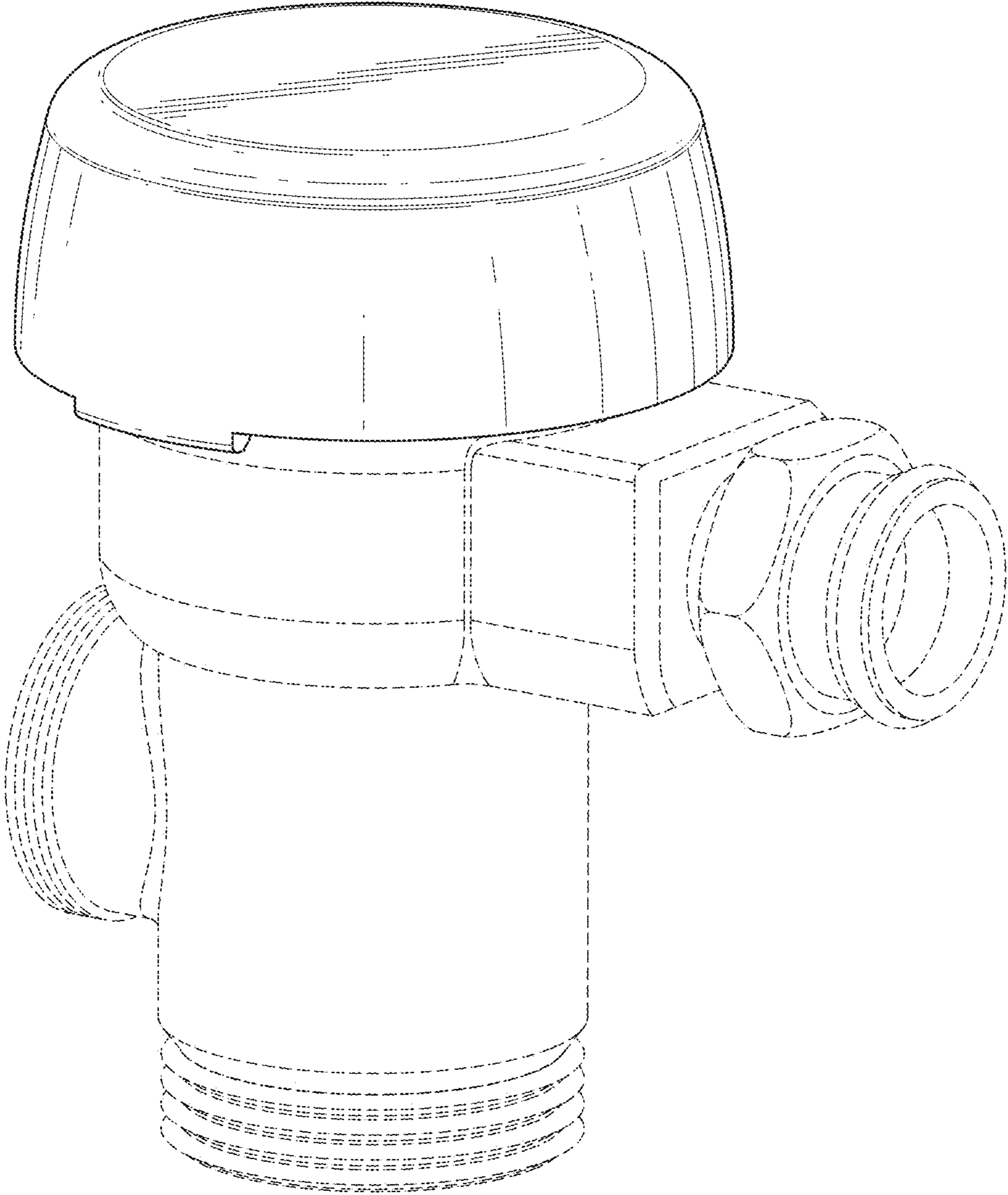


FIG 1

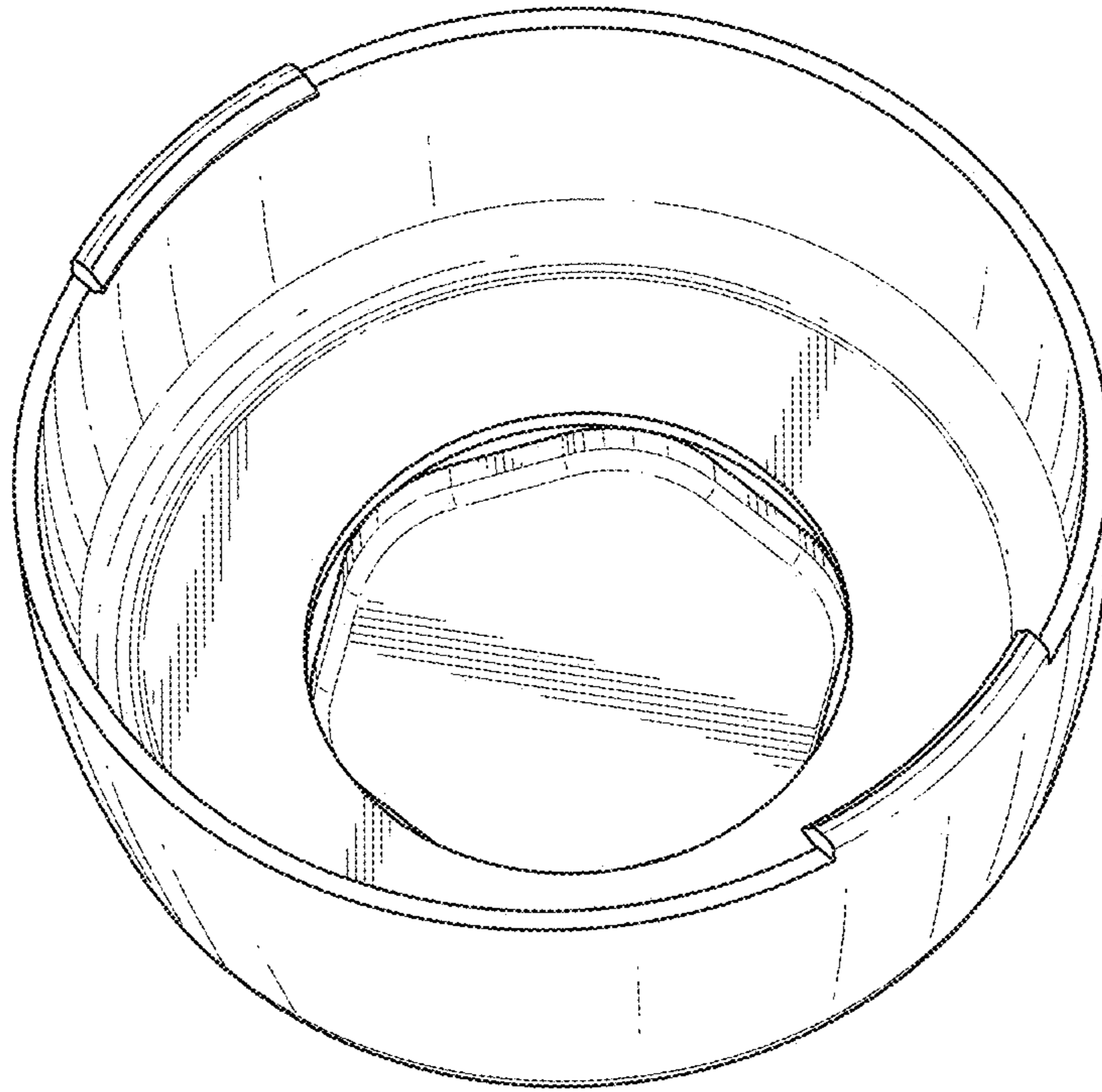


FIG 2

FIG 3

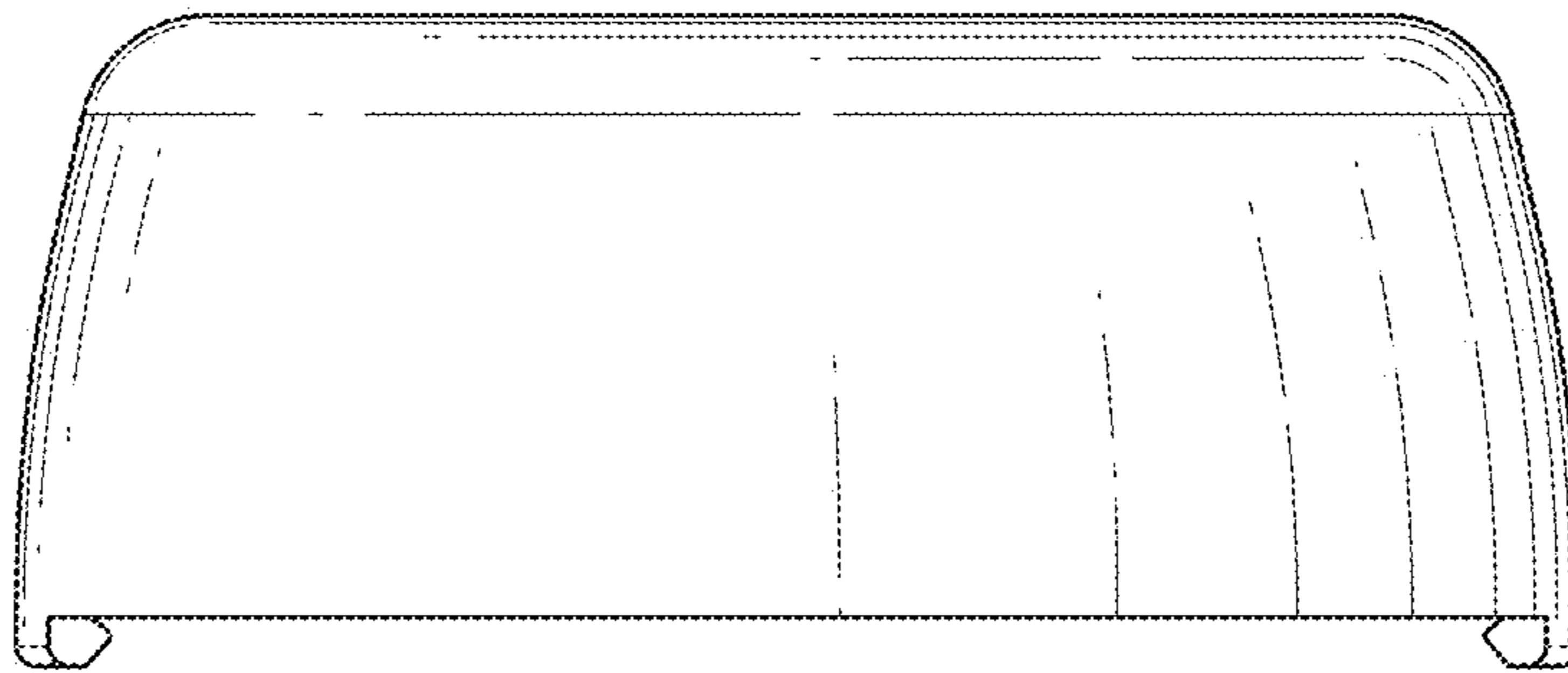
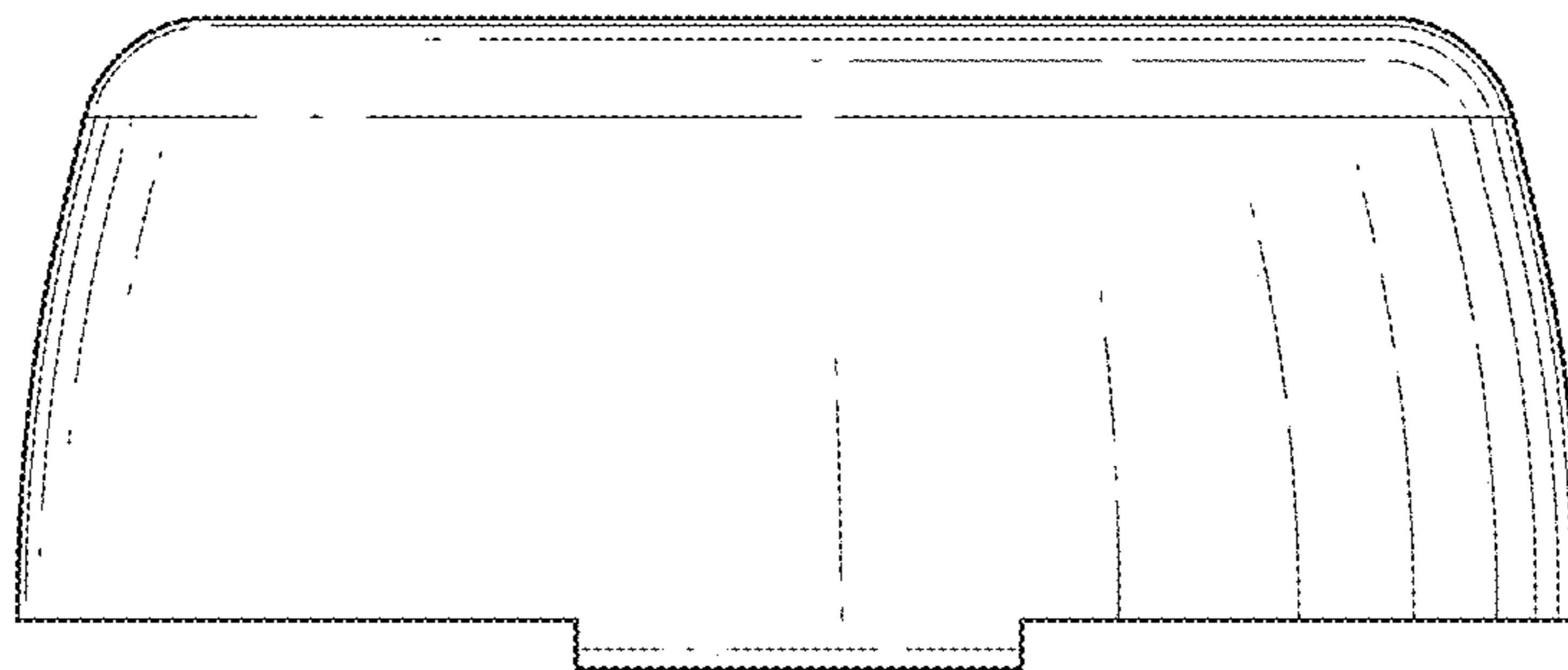


FIG 4



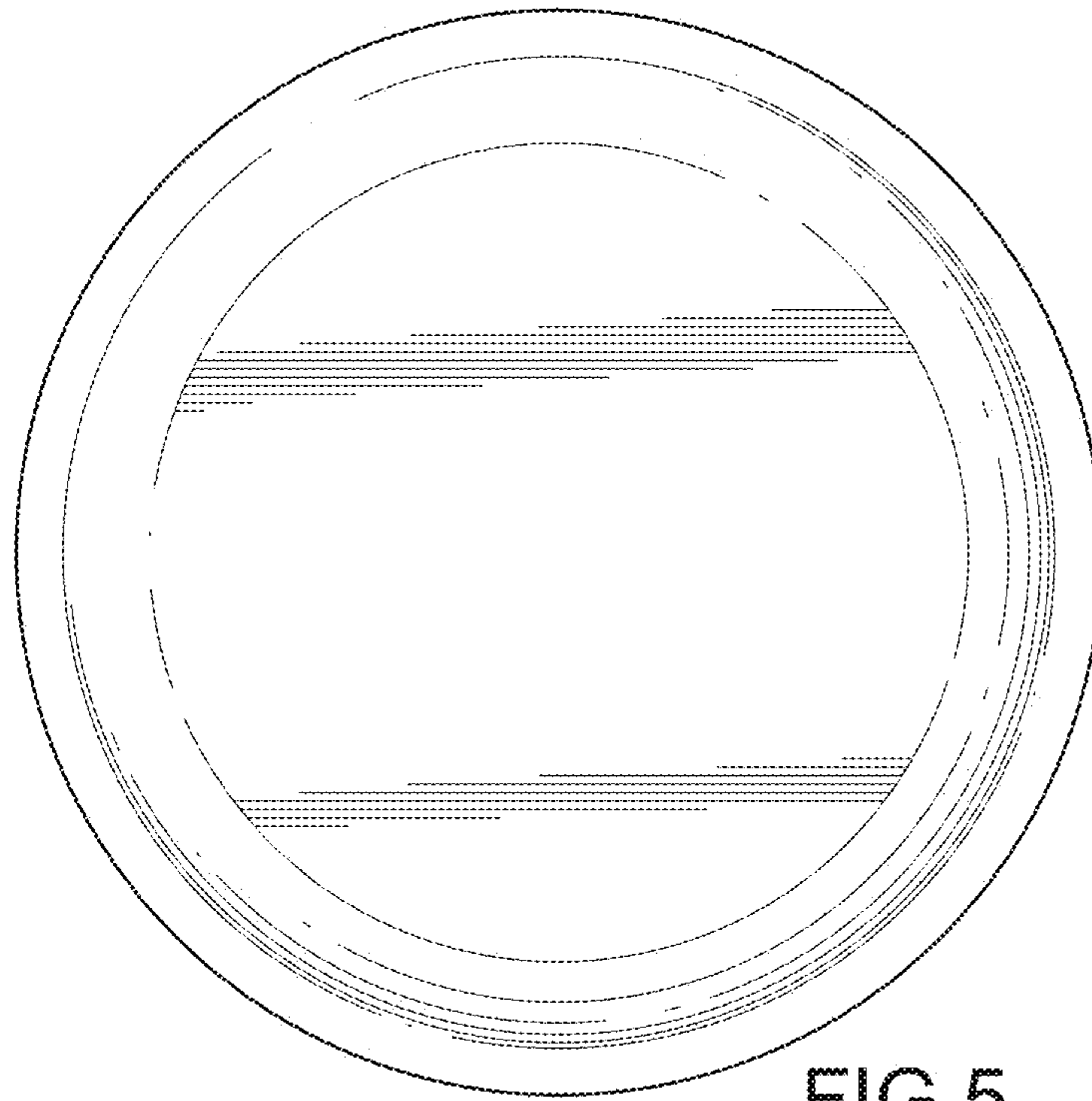


FIG 5

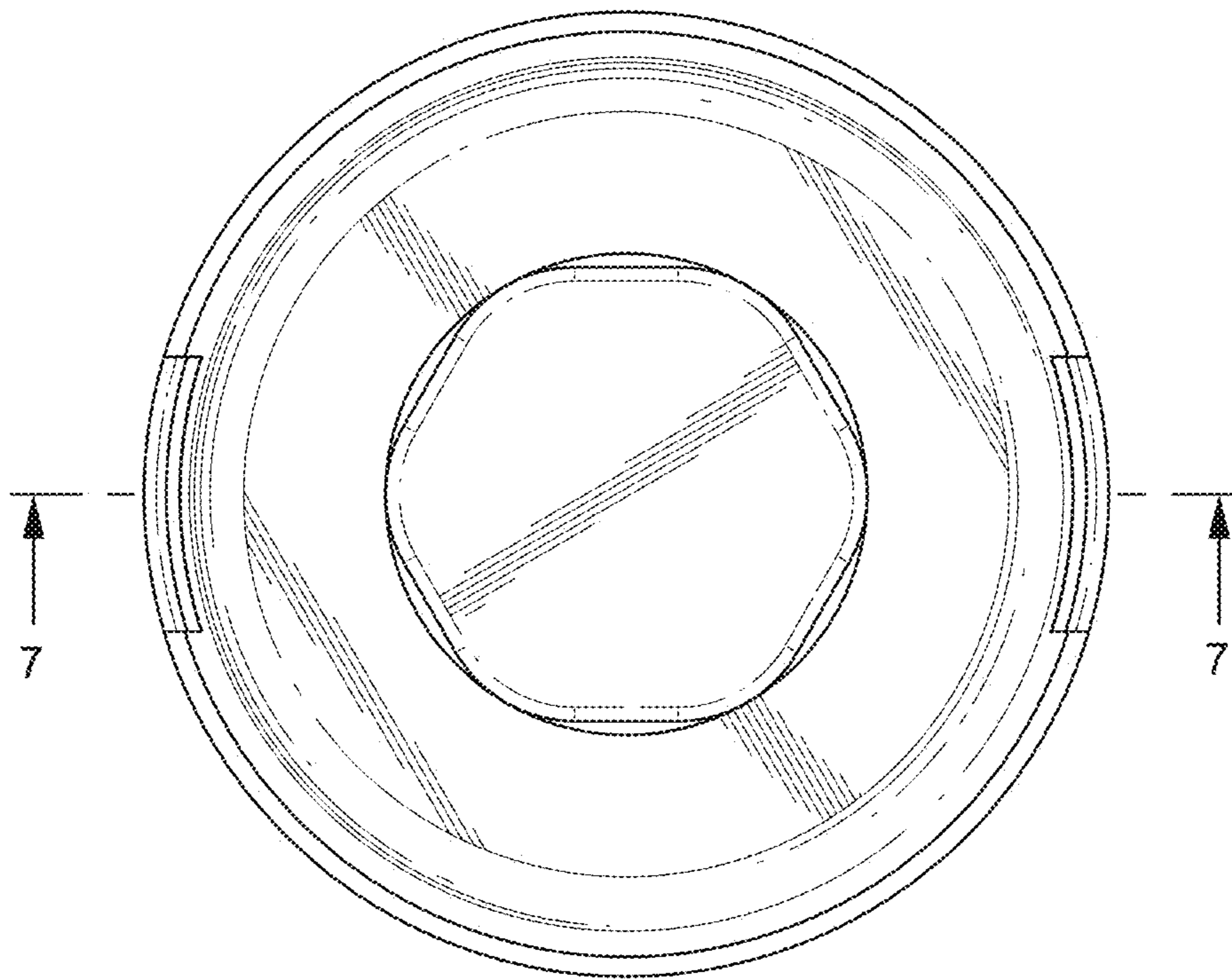


FIG 6

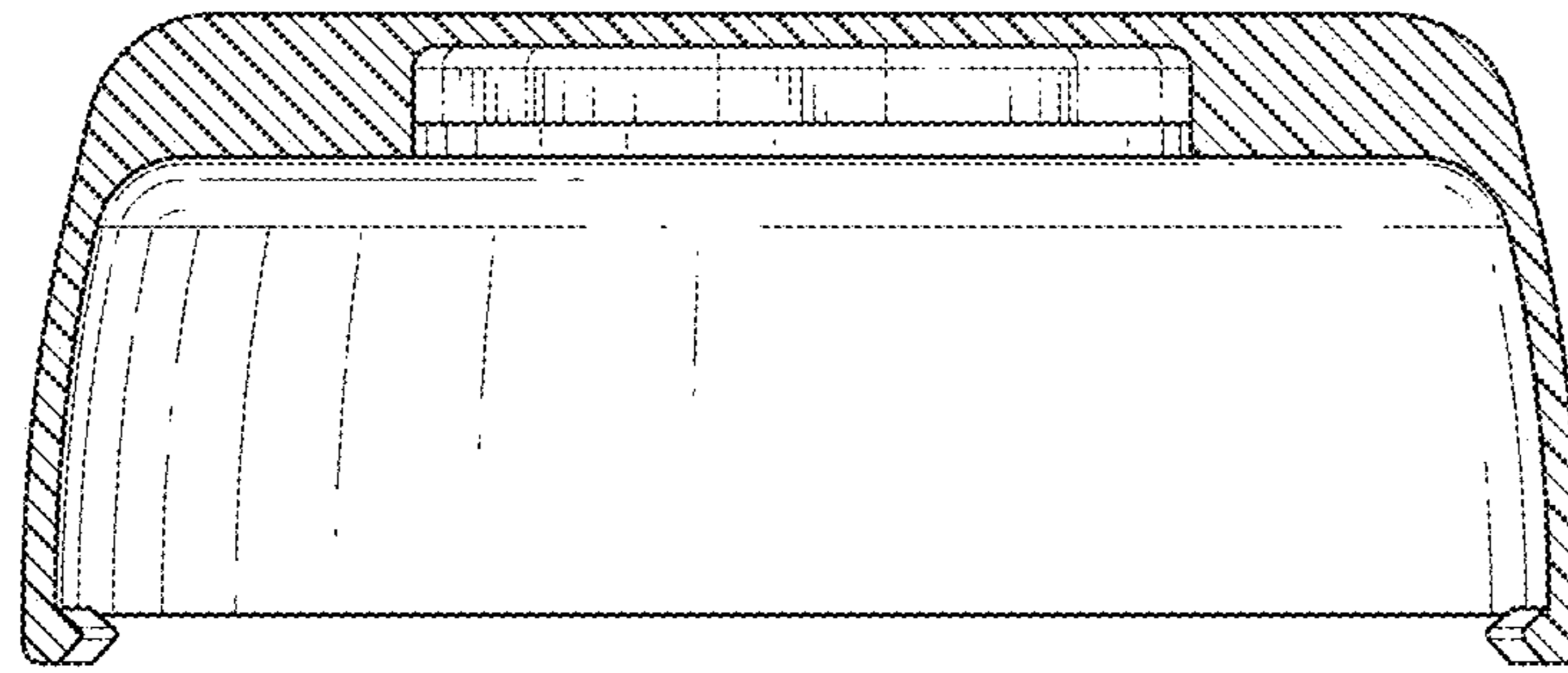


FIG 7