



US00D874614S

(12) **United States Design Patent**  
**Lazarini**

(10) **Patent No.:** **US D874,614 S**

(45) **Date of Patent:** **\*\* Feb. 4, 2020**

(54) **FAUCET**

(71) Applicant: **DELTA FAUCET COMPANY,**  
Indianapolis, IN (US)

(72) Inventor: **Alejandra Lazarini,** Carmel, IN (US)

(73) Assignee: **DELTA FAUCET COMPANY,**  
Indianapolis, IN (US)

(\*\*) Term: **15 Years**

(21) Appl. No.: **29/642,897**

(22) Filed: **Apr. 3, 2018**

(51) **LOC (12) Cl.** ..... **23-01**

(52) **U.S. Cl.**  
USPC ..... **D23/238**

(58) **Field of Classification Search**  
USPC ..... D23/238–243, 249–252, 254–255, 257;  
D8/307–308  
CPC ..... Y10T 137/9464  
See application file for complete search history.

(56) **References Cited**

**U.S. PATENT DOCUMENTS**

D486,563 S \* 2/2004 Hsieh ..... D23/238  
D517,653 S \* 3/2006 Ito ..... D23/238

D602,122 S \* 10/2009 Corbett ..... D23/238  
D607,975 S \* 1/2010 Schoenherr ..... D23/238  
D643,909 S \* 8/2011 Flowers ..... D23/238  
D687,126 S \* 7/2013 Romero ..... D23/238  
D805,163 S \* 12/2017 Schoenherr ..... D23/238  
D820,957 S \* 6/2018 Schaubach ..... D23/238  
D823,987 S \* 7/2018 Downey ..... D23/238  
D825,032 S \* 8/2018 He ..... D23/238

\* cited by examiner

*Primary Examiner* — Amy C Wierenga

(74) *Attorney, Agent, or Firm* — Edgar A. Zarins; Nirav D. Parikh

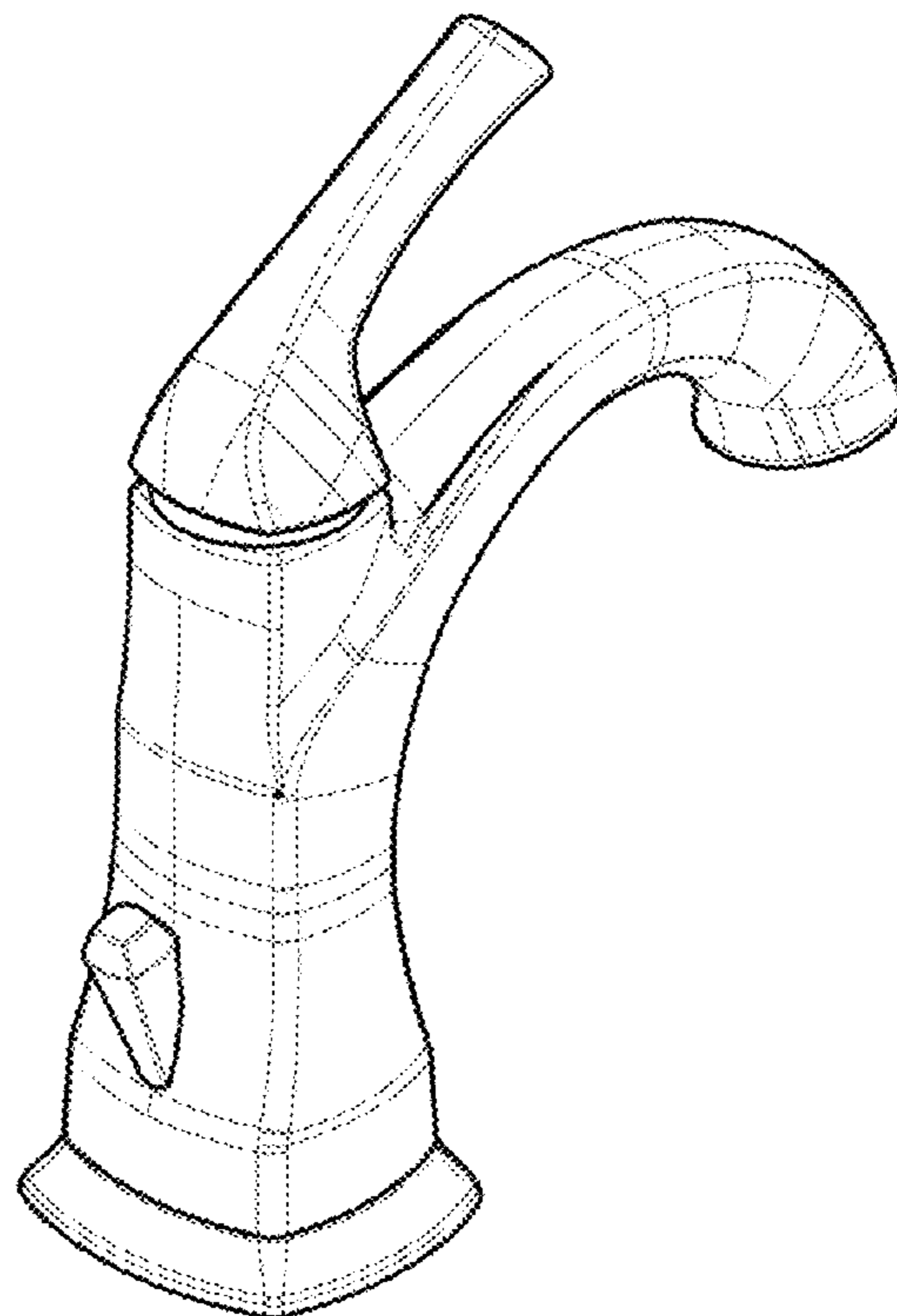
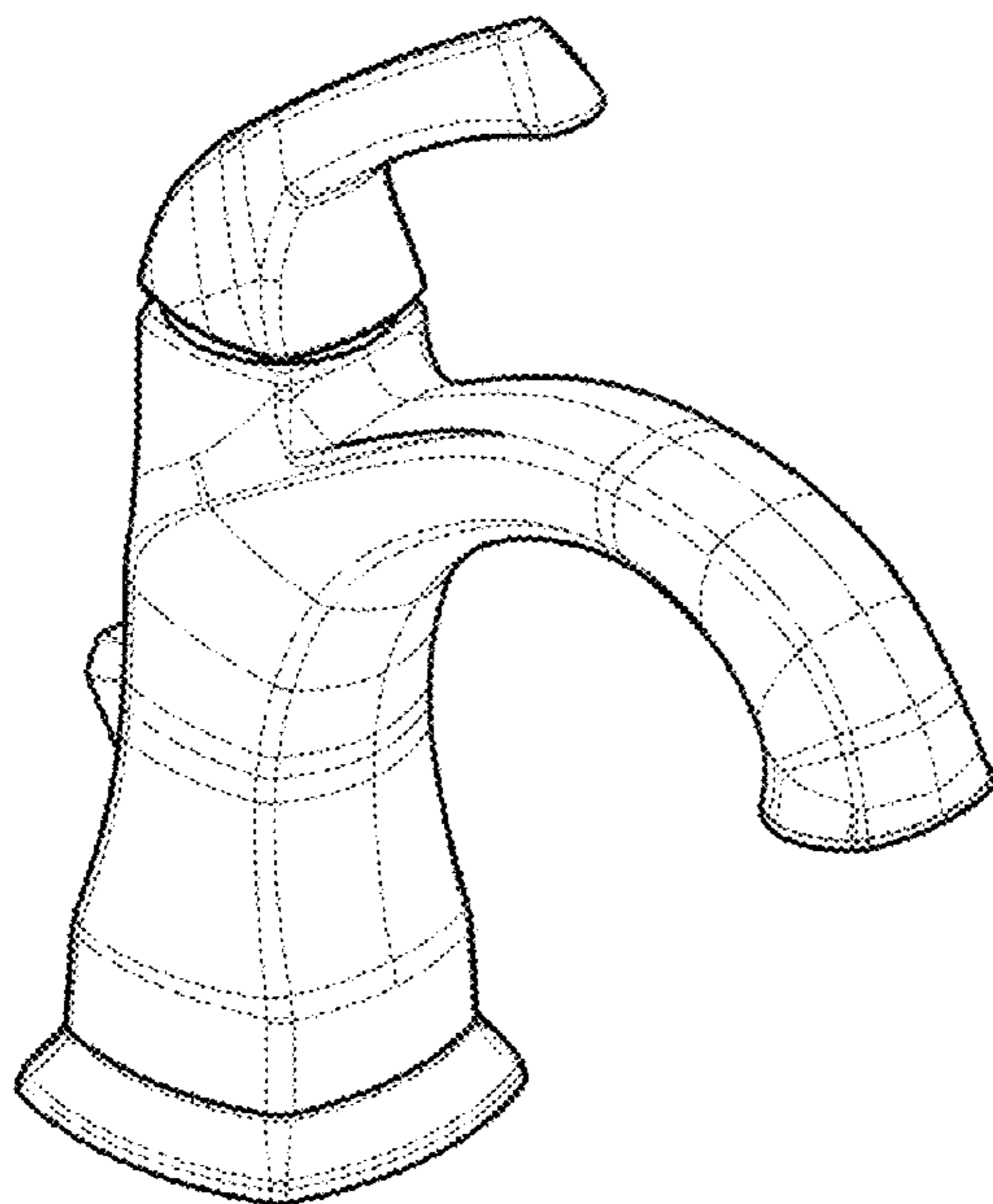
(57) **CLAIM**

The ornamental design for a faucet, as shown and described.

**DESCRIPTION**

FIG. 1 is a first perspective view of a faucet showing my new design;  
FIG. 2 is a second perspective view thereof;  
FIG. 3 is a front elevational view thereof;  
FIG. 4 is a left side view thereof;  
FIG. 5 is a rear view thereof;  
FIG. 6 is a right side view thereof; and,  
FIG. 7 is a top plan view thereof.

**1 Claim, 4 Drawing Sheets**



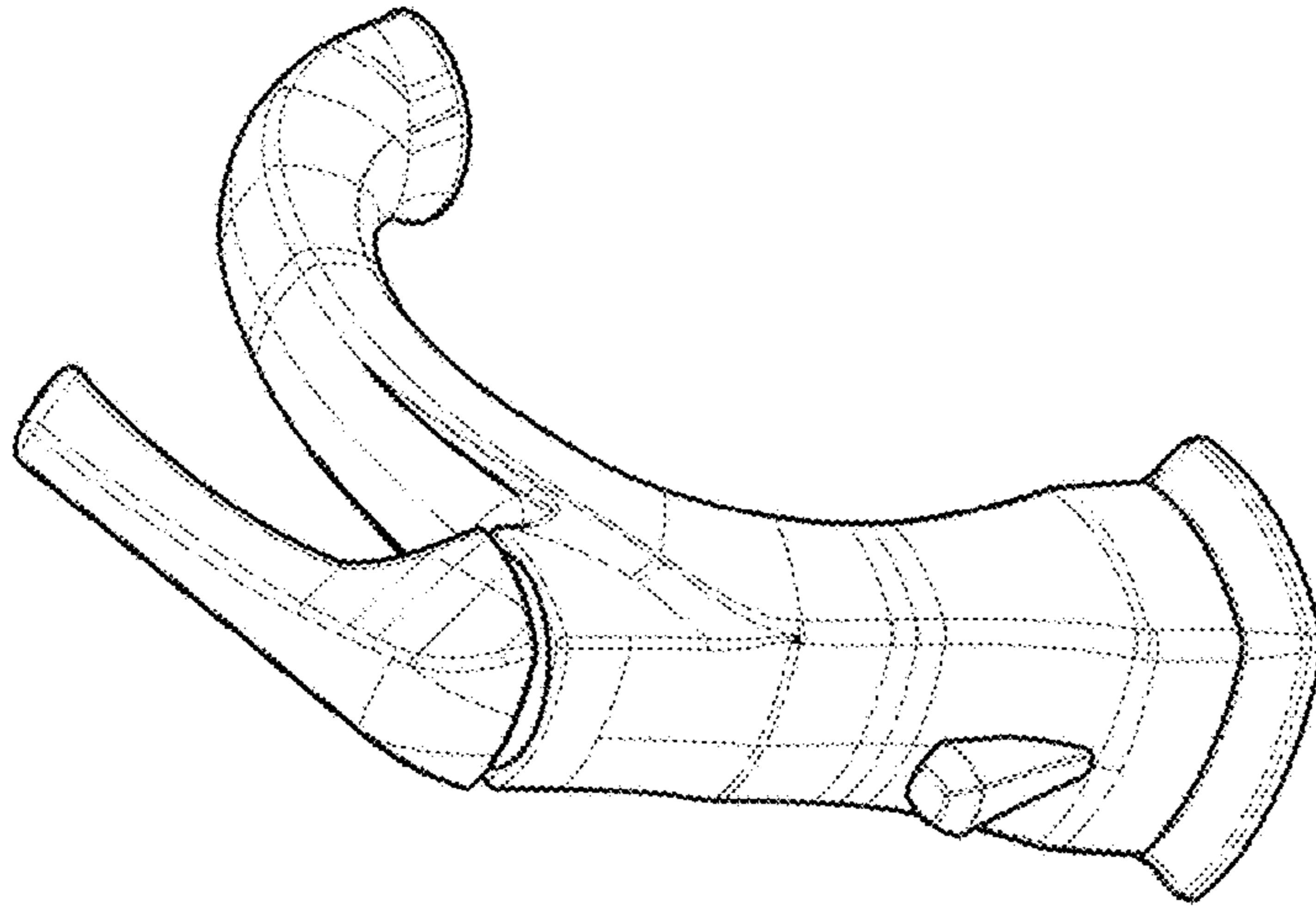


Fig. 2

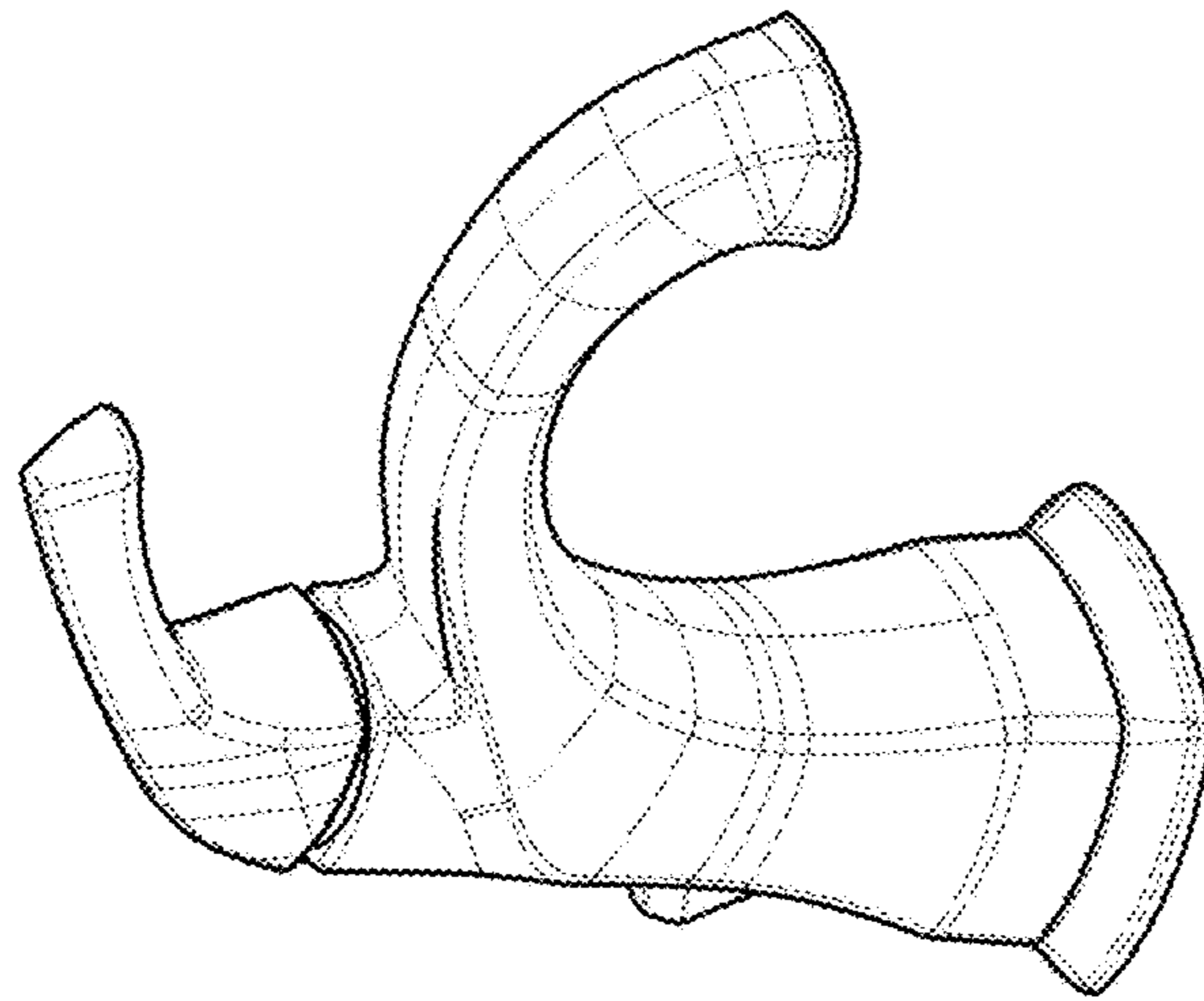


Fig. 1

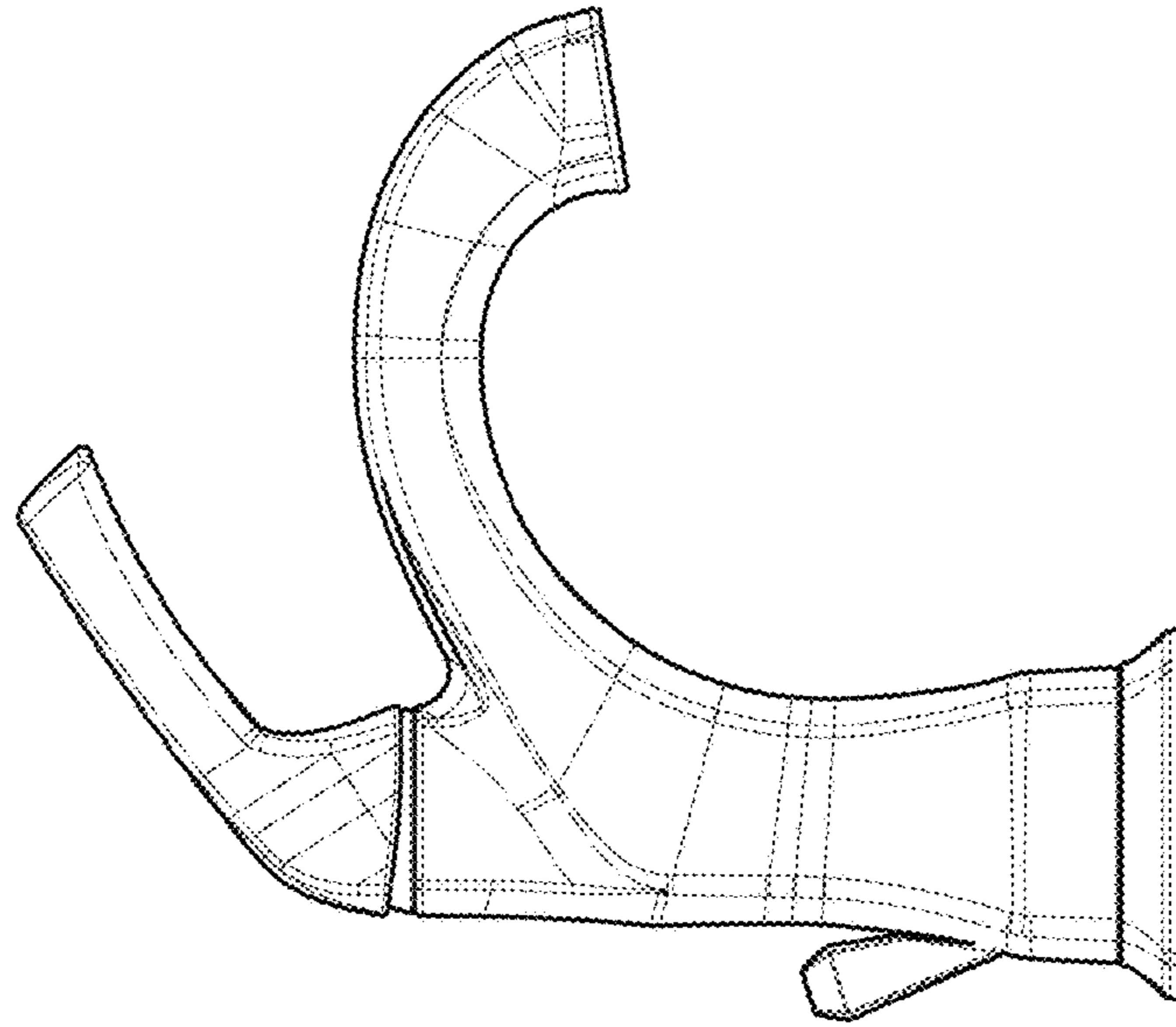


Fig. 4

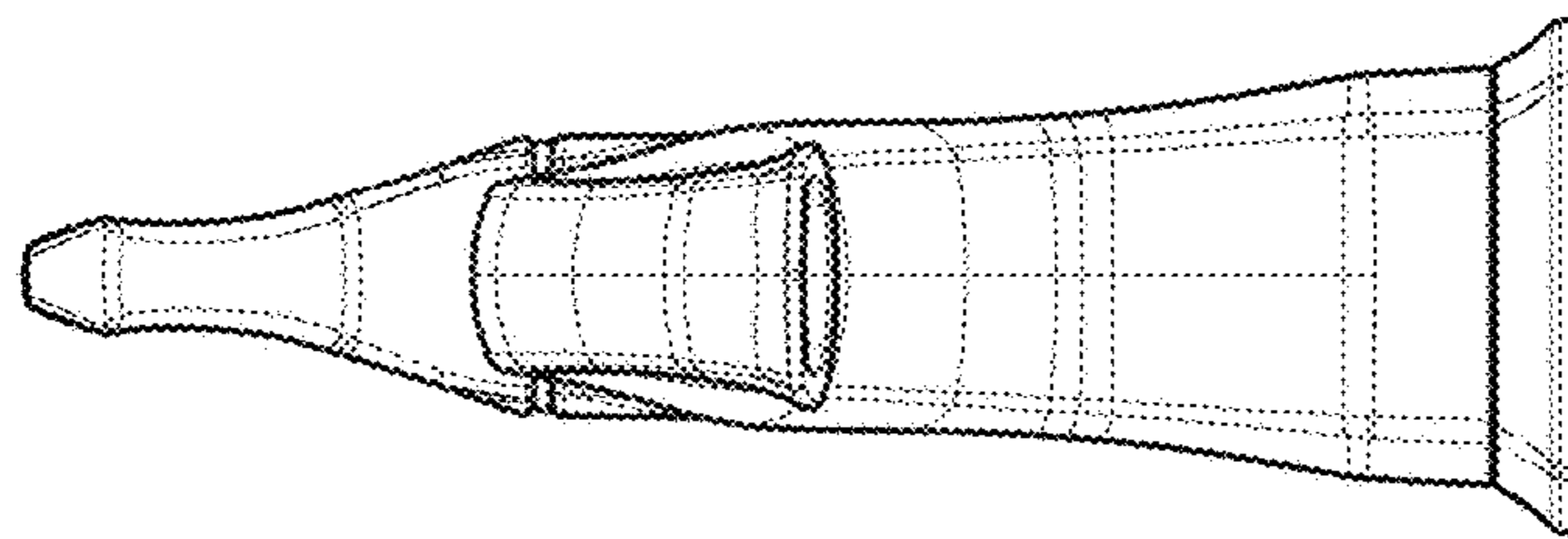


Fig. 3

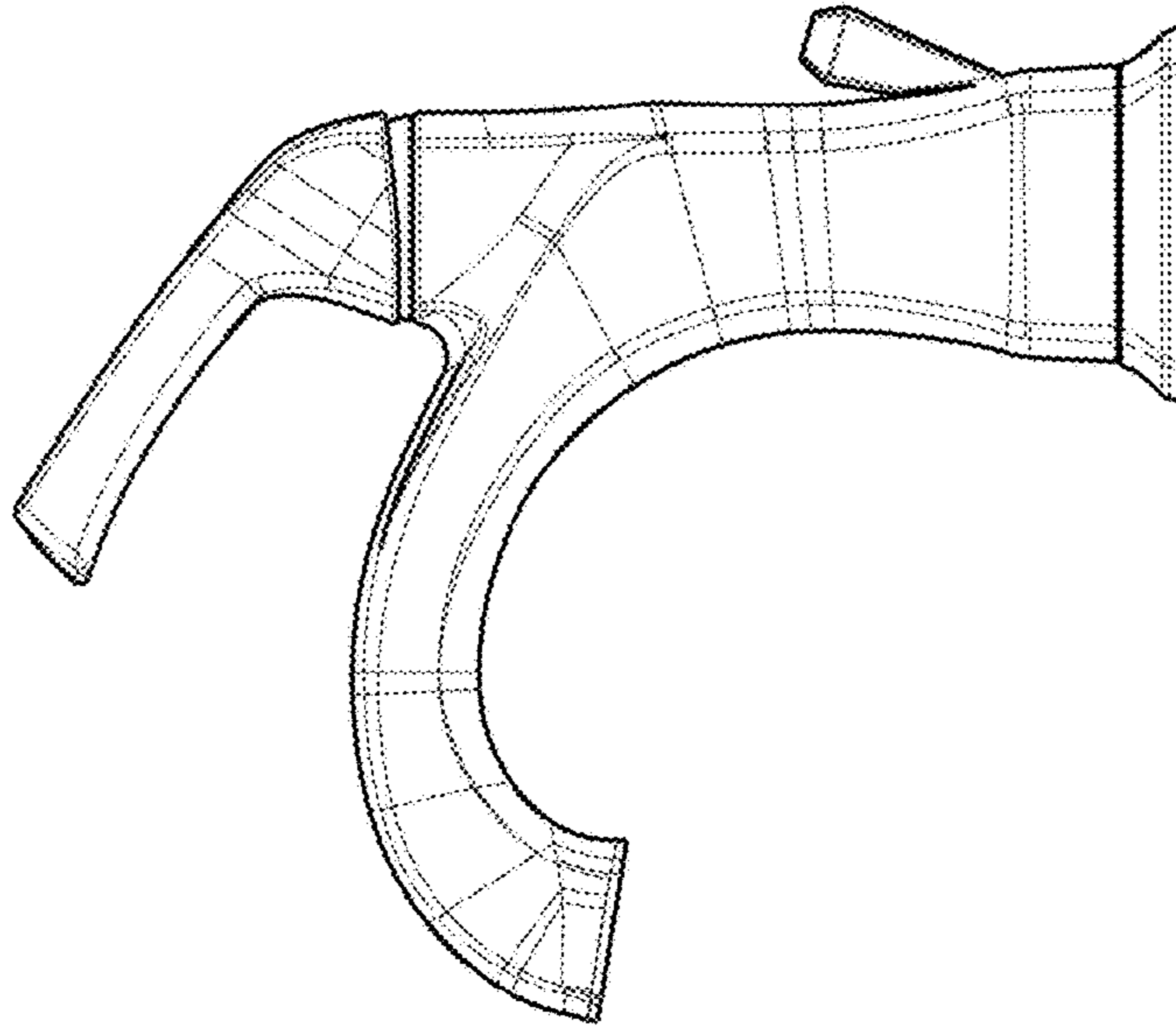


Fig. 6

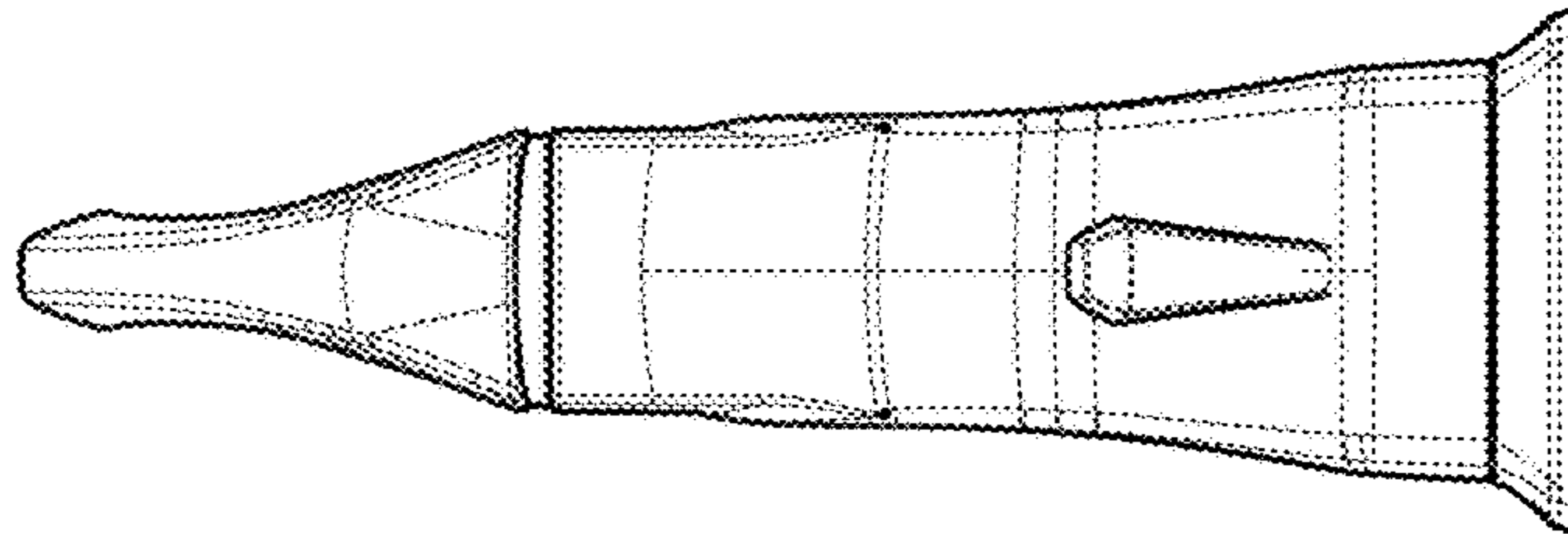


Fig. 5

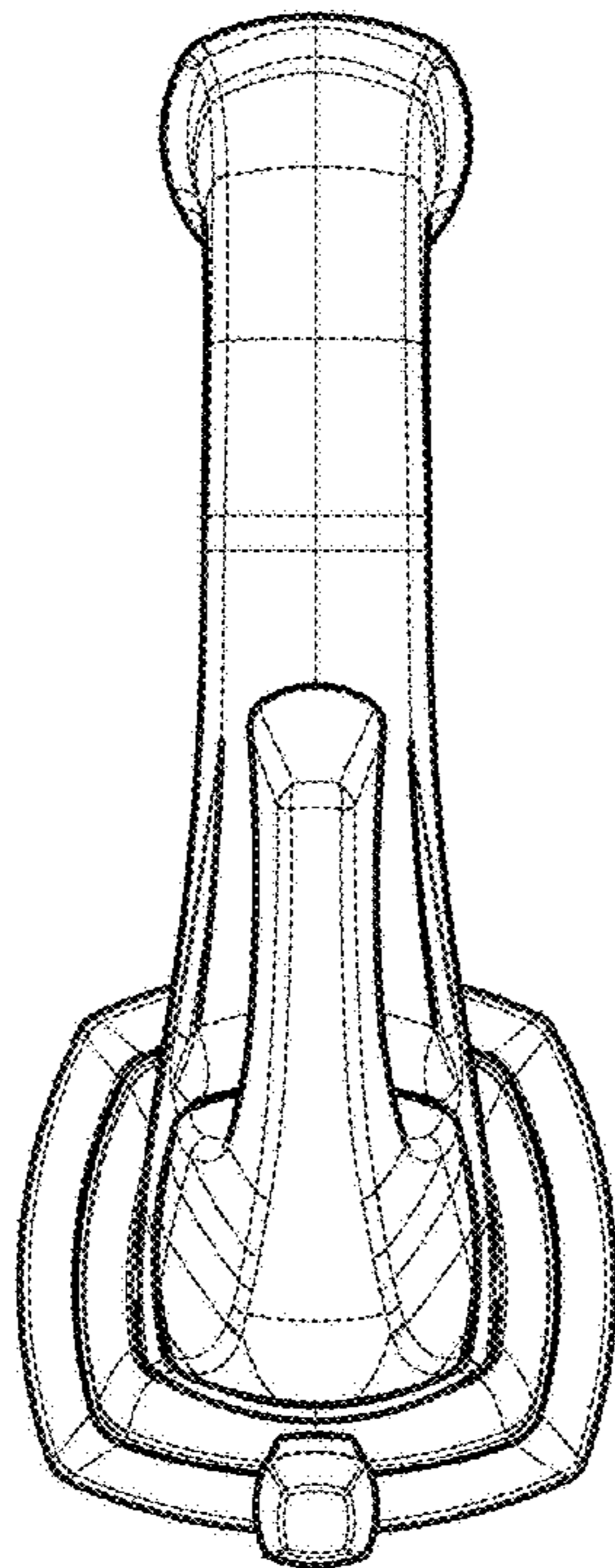


Fig. 7