



US00D874612S

(12) **United States Design Patent**  
**Svendsen et al.**

(10) **Patent No.:** **US D874,612 S**  
(45) **Date of Patent:** **\*\* Feb. 4, 2020**

- (54) **NOZZLE**
- (71) Applicant: **MELNOR, INC.**, Winchester, VA (US)
- (72) Inventors: **Sean Wesley Svendsen**, Columbus, OH (US); **Donald Collins Meves**, Columbus, OH (US); **Eric James Fickas**, Plain City, OH (US)
- (73) Assignee: **MELNOR, INC.**, Winchester, VA (US)
- (\*\*) Term: **15 Years**
- (21) Appl. No.: **29/670,354**
- (22) Filed: **Nov. 15, 2018**

D475,763 S	6/2003	Kuo	
6,644,625 B1 *	11/2003	Jacobs	..... B05B 1/3013 251/209
D517,645 S	3/2006	Chang	
D554,233 S *	10/2007	Chih	..... D23/226
D557,769 S *	12/2007	Chih	..... D23/226
D599,884 S *	9/2009	Zore	..... D23/226
D605,251 S *	12/2009	Zore	..... D23/226
D606,625 S *	12/2009	Zore	..... D23/226
D678,980 S *	3/2013	Nies	..... D23/223
D714,423 S *	9/2014	Mammen	..... D23/226
D748,758 S *	2/2016	Duong	..... D23/223
D766,400 S	9/2016	Chen	
D769,415 S	10/2016	Chen	
D770,017 S	10/2016	Chen	
D774,164 S *	12/2016	Chen	..... D23/226
D779,040 S	2/2017	Chen	
D779,041 S *	2/2017	Chen	..... D23/226

(Continued)

**Related U.S. Application Data**

- (62) Division of application No. 29/598,175, filed on Mar. 23, 2017, now Pat. No. Des. 839,992.
- (51) **LOC (12) Cl.** ..... **23-01**
- (52) **U.S. Cl.**  
USPC ..... **D23/226**
- (58) **Field of Classification Search**  
USPC ..... D23/226, 223  
CPC ..... B05B 1/3013; B05B 1/06  
See application file for complete search history.

*Primary Examiner* — Kevin K Rudzinski

(74) *Attorney, Agent, or Firm* — Westerman, Hattori, Daniels & Adrian, LLP; Stephen B. Parker

(57) **CLAIM**

The ornamental design for a nozzle, as shown and described.

**DESCRIPTION**

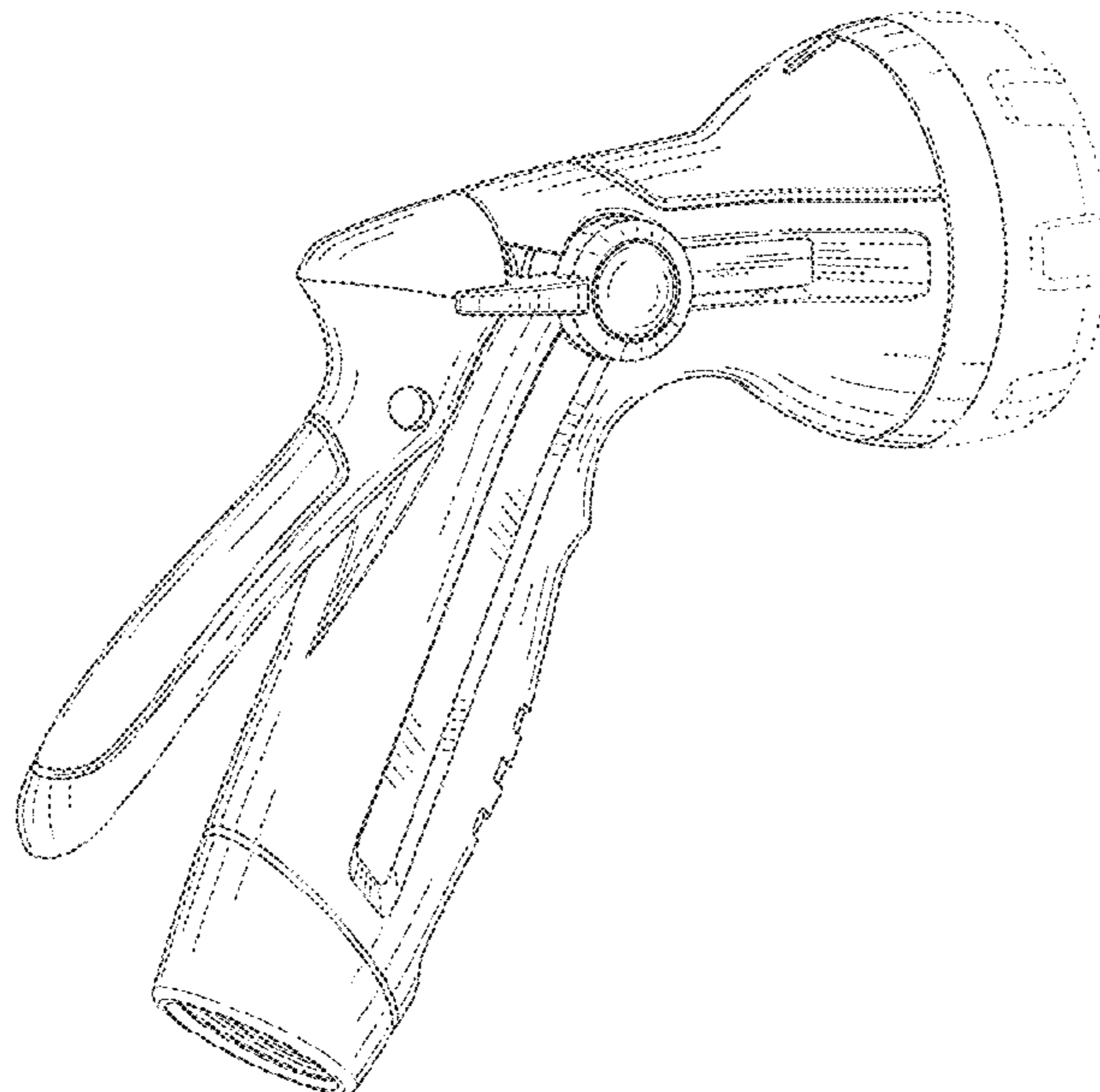
FIG. 1 is a rear perspective view of a nozzle, showing our new design;  
 FIG. 2 is a front elevational view thereof;  
 FIG. 3 is a rear elevational view thereof;  
 FIG. 4 is a right side elevational view thereof;  
 FIG. 5 is a left side elevational view thereof;  
 FIG. 6 is a top plan view thereof;  
 FIG. 7 is a bottom plan view thereof; and,  
 FIG. 8 is a front perspective view thereof.  
 The broken line showing of portions of the nozzle is for the purpose of illustrating environmental structure and forms no part of the claimed design.

(56) **References Cited**

**U.S. PATENT DOCUMENTS**

D355,953 S	2/1995	Wang	
D408,496 S *	4/1999	Wang	..... D23/226
D408,497 S *	4/1999	Wang	..... D23/226
D409,720 S *	5/1999	Guo	..... D23/226
D431,069 S *	9/2000	Heren	..... D23/226
D431,280 S *	9/2000	Kuo	..... D23/226
D454,619 S *	3/2002	Wang	..... D23/226
D461,227 S *	8/2002	Guo	..... D23/226
D475,122 S *	5/2003	Kuo	..... D23/226
D475,762 S	6/2003	Kuo	

**1 Claim, 6 Drawing Sheets**



(56)

**References Cited**

U.S. PATENT DOCUMENTS

D779,634	S	2/2017	Chen	
D780,293	S *	2/2017	Chen	D23/226
D783,123	S *	4/2017	Chen	D23/226
D783,125	S *	4/2017	Chen	D23/226
D800,254	S *	10/2017	Chen	D23/226
D800,255	S *	10/2017	Chen	D23/226
D824,488	S *	7/2018	Montoya	D23/223
D824,489	S *	7/2018	Montoya	D23/223
D838,341	S *	1/2019	Svensen	D23/226
D839,992	S *	2/2019	Svensen	D23/226
D846,074	S *	4/2019	Pease	D23/226
2013/0015271	A1 *	1/2013	Chen	B05B 1/06 239/526

\* cited by examiner

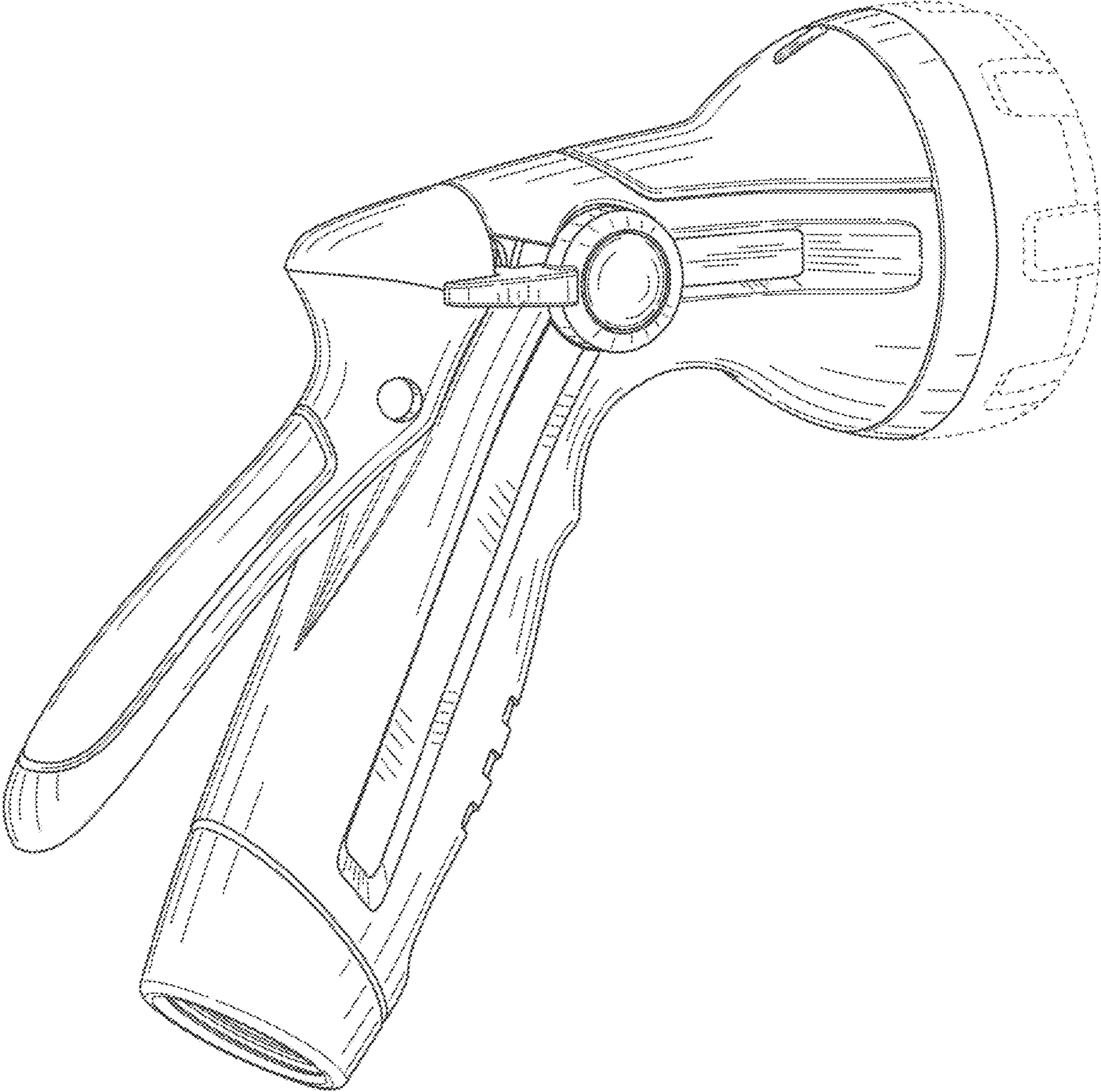


FIG. 1

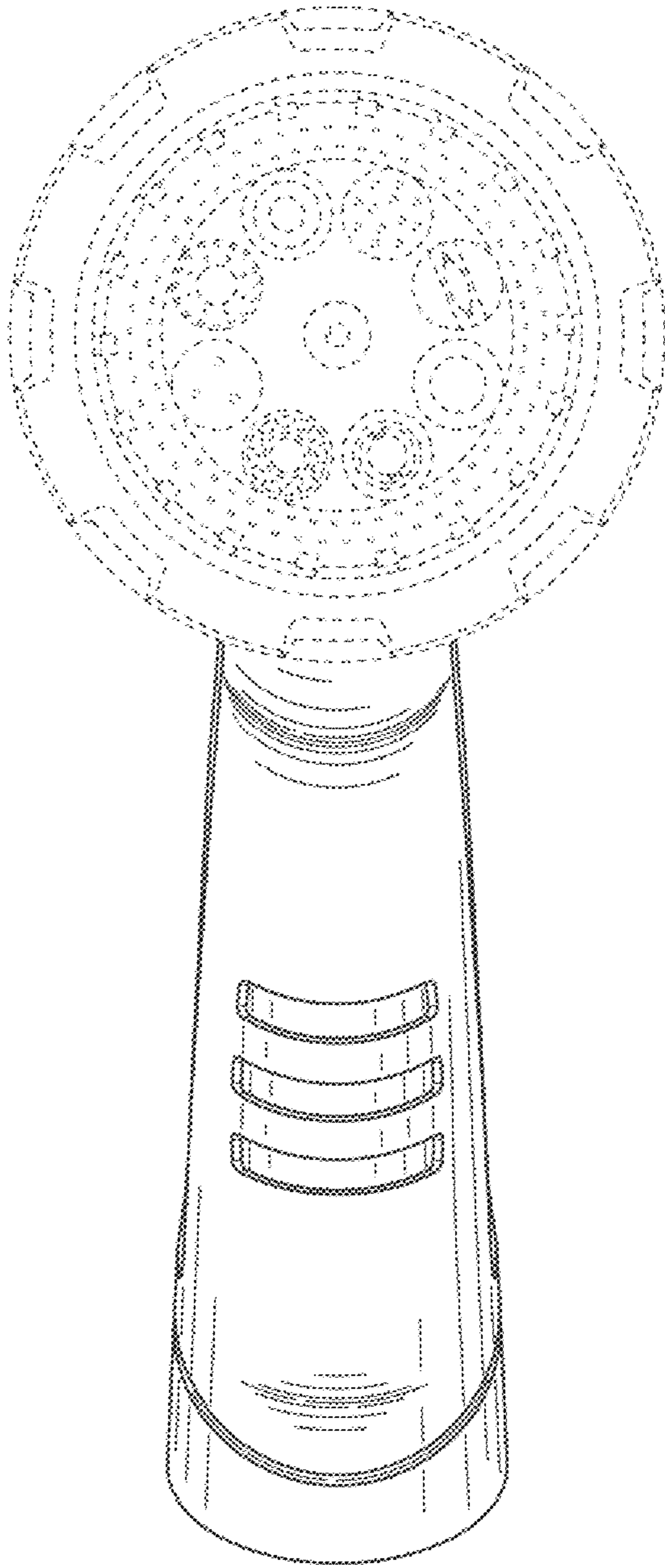


FIG. 2

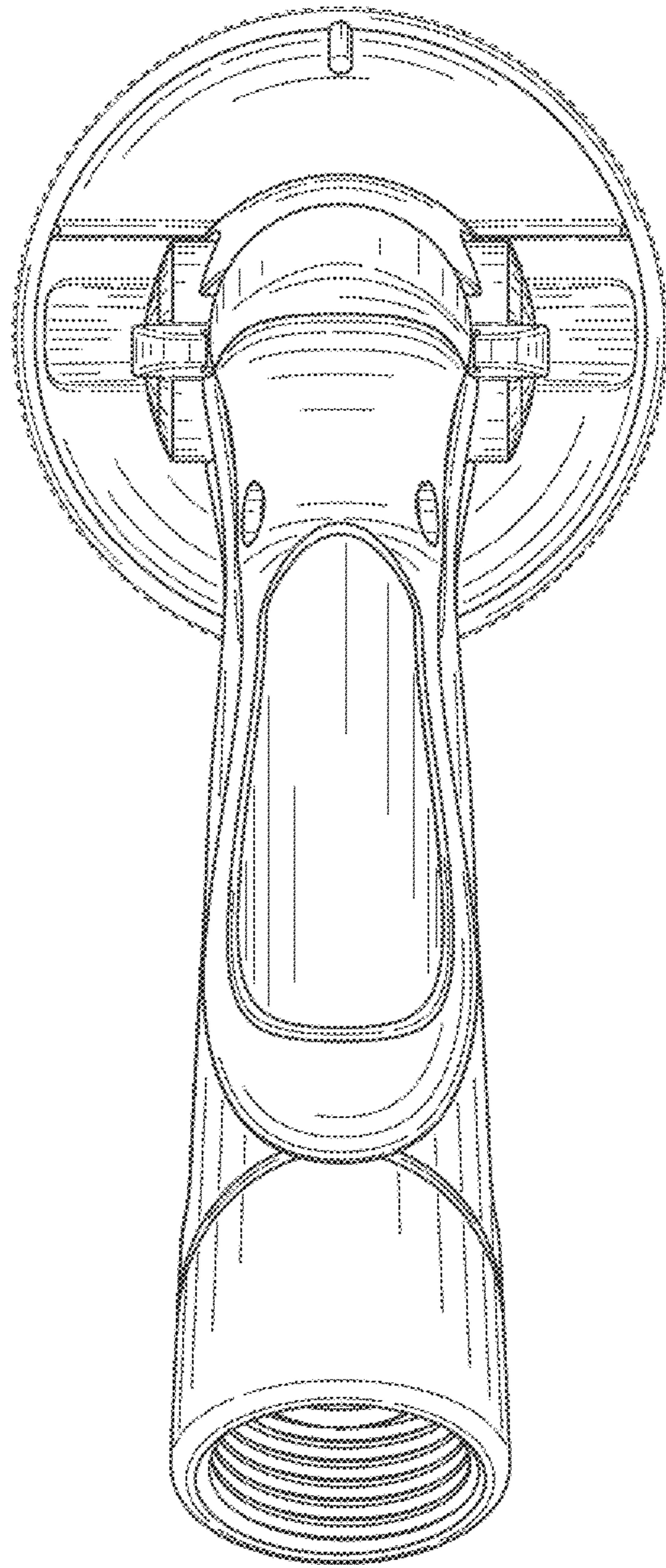


FIG. 3

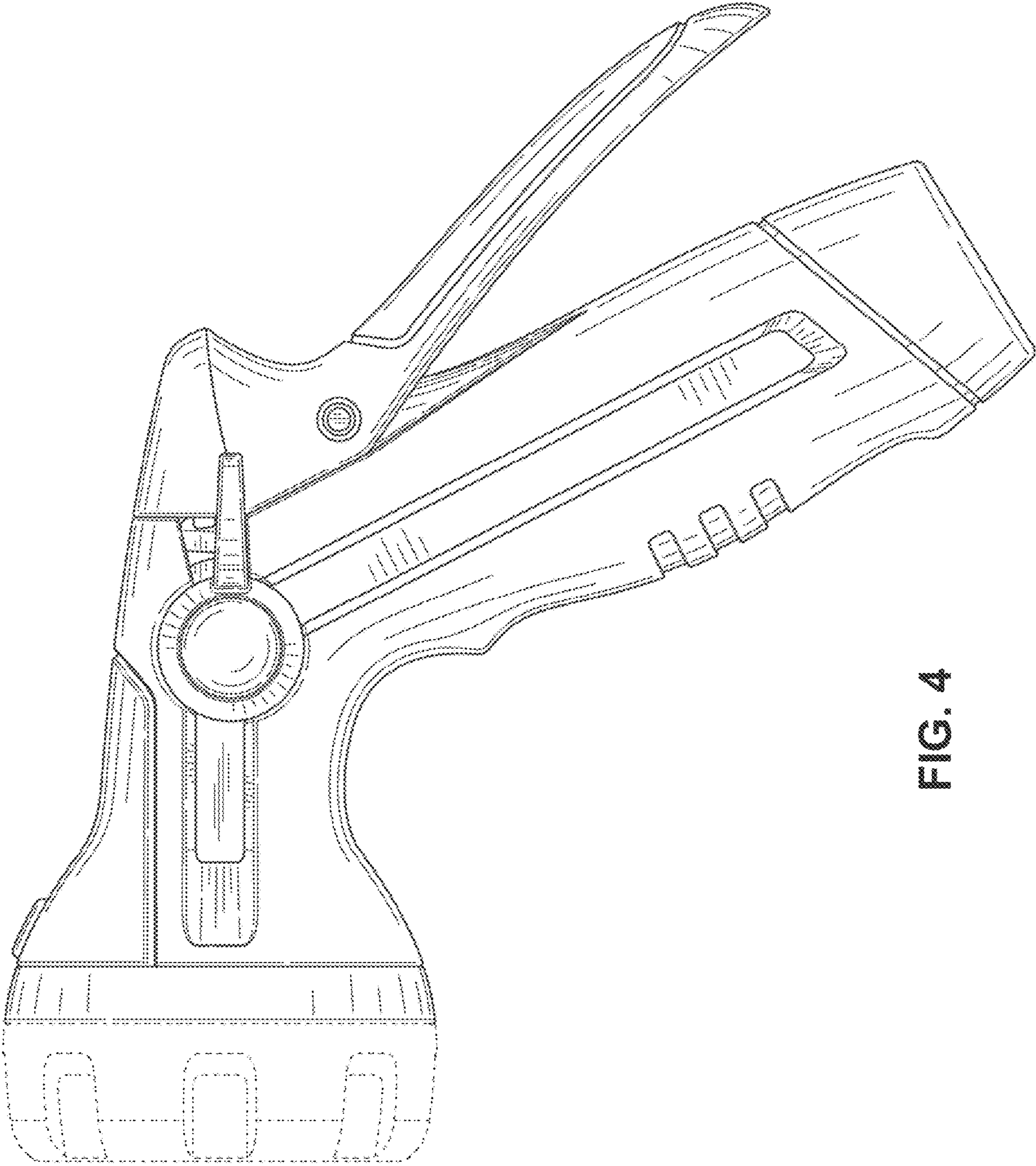


FIG. 4

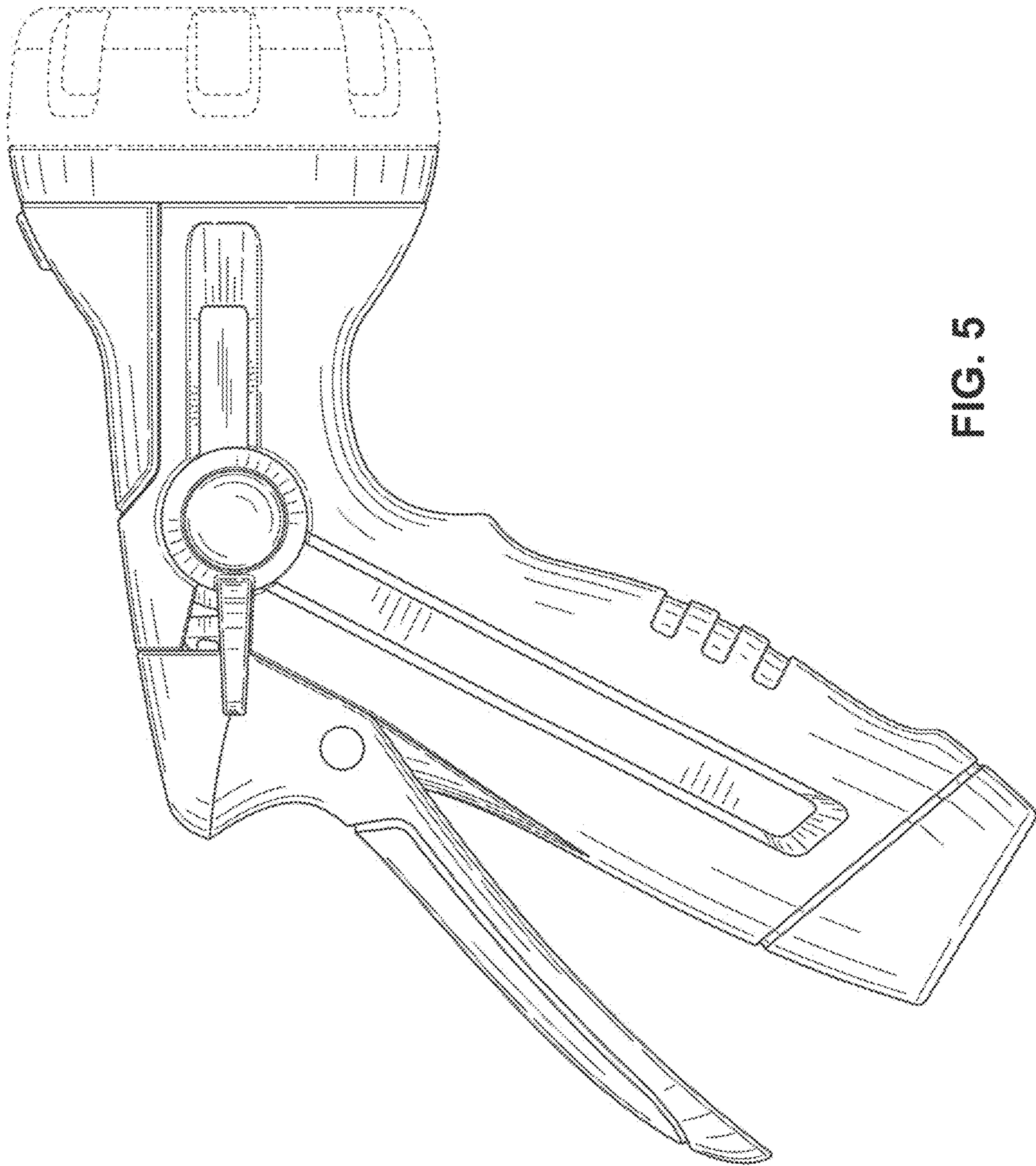


FIG. 5

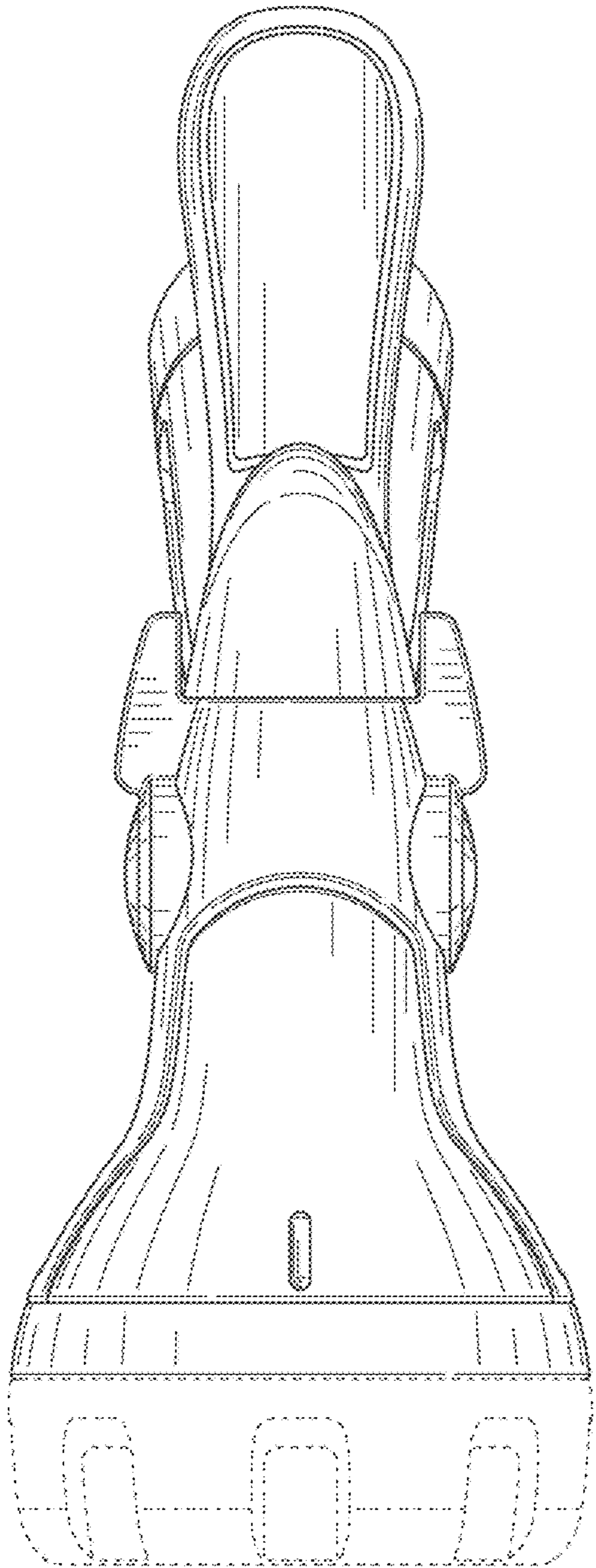


FIG. 6

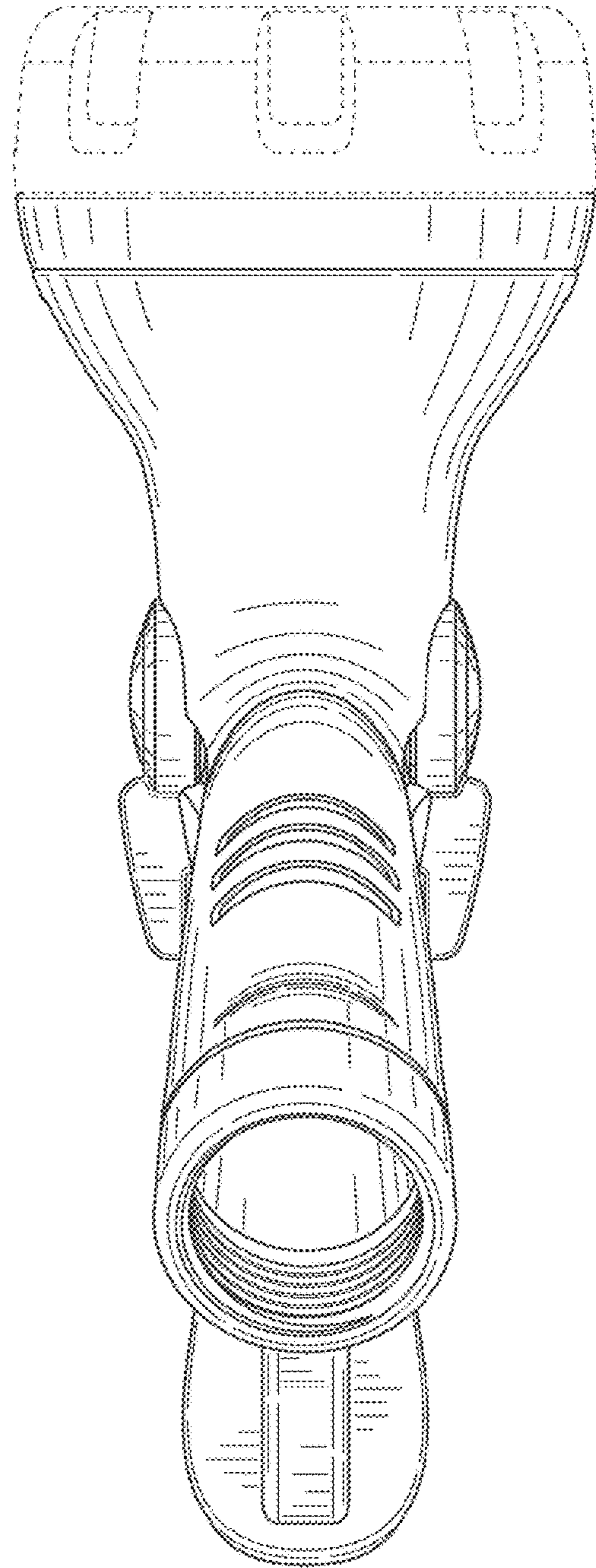


FIG. 7

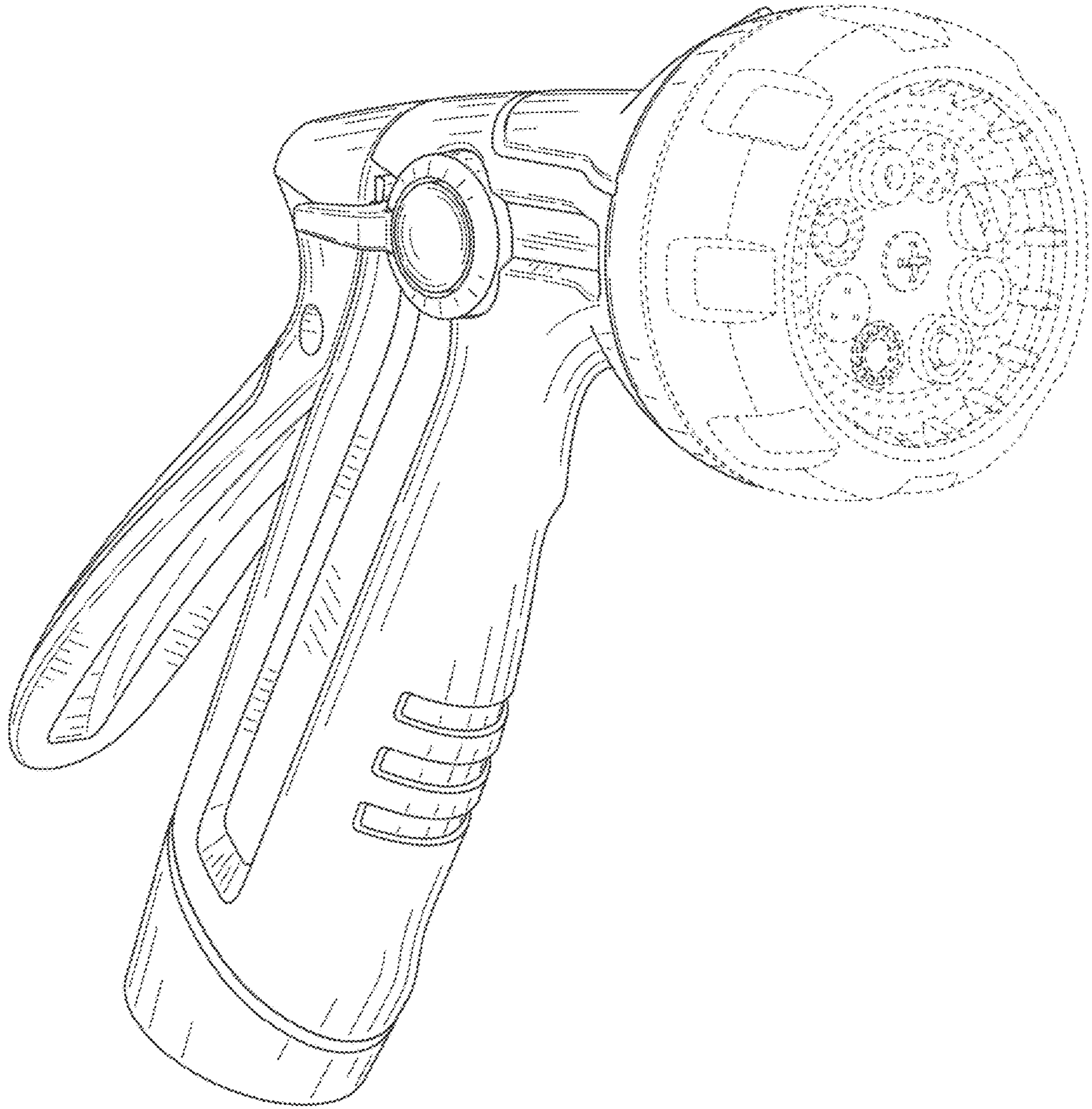


FIG. 8