



US00D874611S

(12) **United States Design Patent** (10) **Patent No.:** **US D874,611 S**
Ess et al. (45) **Date of Patent:** **** Feb. 4, 2020**

(54) **AUTOMATIC PAINT GUN**
(71) Applicant: **SATA GmbH & Co. KG,**
Kornwestheim (DE)
(72) Inventors: **Helmut Ess, Remshalden (DE);**
Marcus Rolli, Kornwestheim (DE)
(73) Assignee: **SATA GMBH & CO. KG,**
Kornwestheim (DE)
(**) Term: **15 Years**

D563,505 S * 3/2008 Schmon D23/226
D614,731 S * 4/2010 Wang D23/226
D644,716 S * 9/2011 Gehrung D23/226
D672,012 S * 12/2012 Brose D23/226
D689,593 S * 9/2013 Schmon D23/226
D690,799 S 10/2013 Maier et al.
D692,530 S 10/2013 Gehrung
D697,583 S 1/2014 Schmon et al.
D697,584 S 1/2014 Schmon et al.
D698,008 S 1/2014 Schmon et al.
D721,785 S 1/2015 Gehrung
D734,428 S * 7/2015 Wang D23/226
D734,429 S * 7/2015 Wang D23/226

(Continued)

(21) Appl. No.: **29/596,869**

FOREIGN PATENT DOCUMENTS

(22) Filed: **Mar. 12, 2017**

DE 10 2013 003 897 A1 9/2014
DE 20 2016 005 516 U1 1/2018
EP 2393606 B1 12/2011

(30) **Foreign Application Priority Data**

Sep. 12, 2016 (EM) 003375963-0001
Sep. 12, 2016 (EM) 003375963-0002
Sep. 12, 2016 (EM) 003375963-0003
Sep. 12, 2016 (EM) 003375963-0004
Sep. 12, 2016 (EM) 003375963-0005
Sep. 12, 2016 (EM) 003375963-0006
Sep. 12, 2016 (EM) 003375963-0007
Sep. 12, 2016 (EM) 003375963-0008
Sep. 12, 2016 (EM) 003375963-0009

Primary Examiner — Gino Colan

(74) *Attorney, Agent, or Firm* — Paul D. Bianco; Lourdes Perez; Fleit Intellectual Property Law

(51) **LOC (12) Cl.** **23-01**

(52) **U.S. Cl.**
USPC **D23/226**

(58) **Field of Classification Search**
USPC D23/213, 223, 226; 239/525–526, 600,
239/602
CPC B05B 9/01; B05B 7/02; B05B 1/00; B05B
1/3046
See application file for complete search history.

(57) **CLAIM**

The ornamental design for an automatic paint gun, as shown and described.

(56) **References Cited**

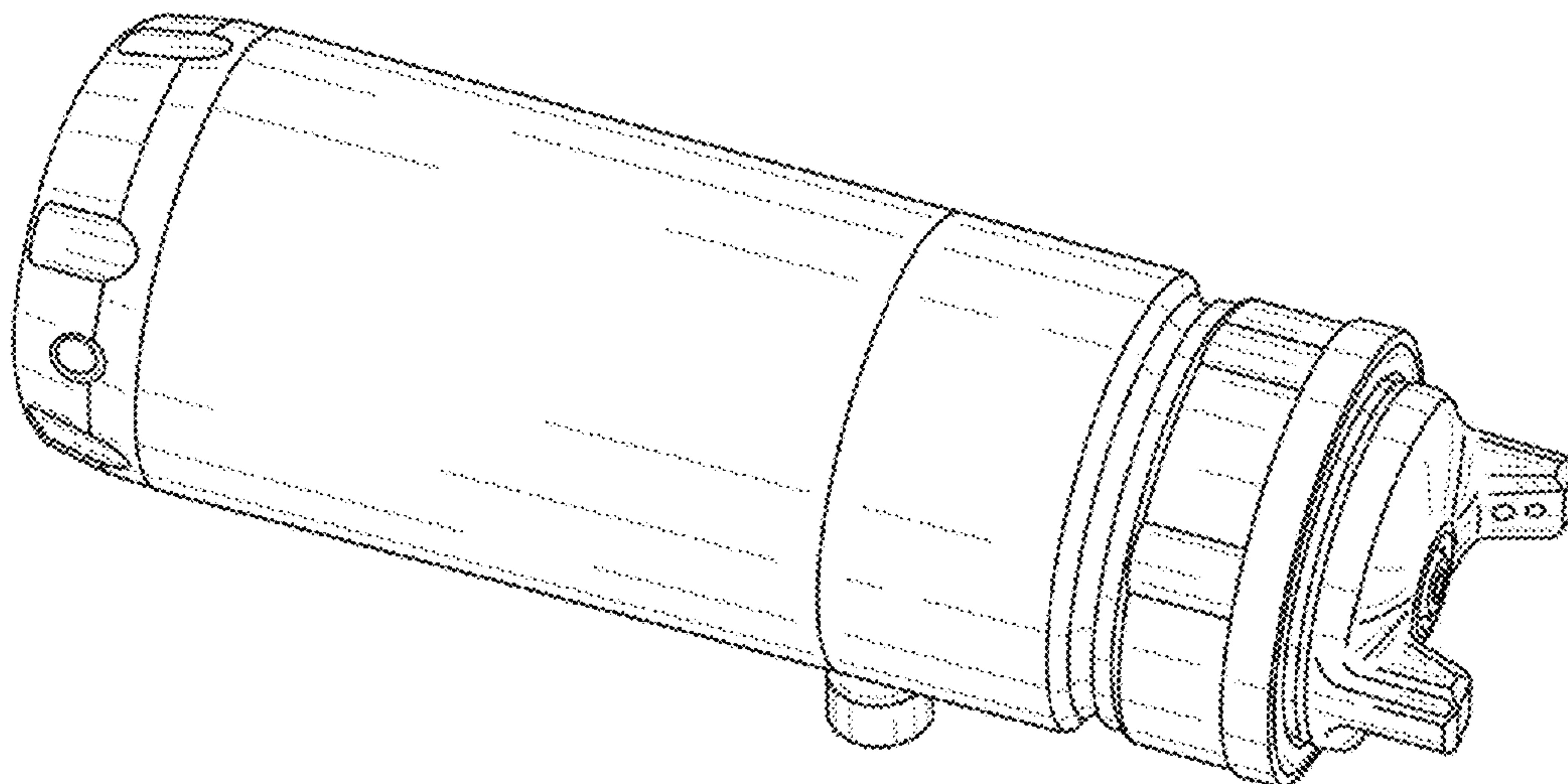
U.S. PATENT DOCUMENTS

D548,816 S * 8/2007 Schmon D23/226
D552,213 S * 10/2007 Schmon D23/226

DESCRIPTION

FIG. 1 is a perspective view of an automatic paint gun showing our new design;
FIG. 2 is a top plan view thereof;
FIG. 3 is a bottom plan view thereof;
FIG. 4 is a right side elevation view thereof;
FIG. 5 is a left side elevation view thereof;
FIG. 6 is a front elevation view thereof; and,
FIG. 7 is a back elevation view thereof.
The broken lines shown in the figures are included for the purpose of illustrating portions of the automatic paint gun which form no part of the claimed design.

1 Claim, 6 Drawing Sheets



(56)

References Cited

U.S. PATENT DOCUMENTS

D737,126 S	8/2015	Tschan	
D740,393 S	10/2015	Gehrung	
D757,215 S	5/2016	Gehrung et al.	
D757,216 S	5/2016	Gehrung	
D758,537 S	6/2016	Gehrung et al.	
D770,593 S	11/2016	Gehrung et al.	
D785,754 S	5/2017	Pfander et al.	
D785,755 S	5/2017	Pfander et al.	
D792,557 S *	7/2017	Wang	D23/226
D794,756 S *	8/2017	Wang	D23/226
D798,419 S	9/2017	Gehrung et al.	
D799,637 S	10/2017	Tschan et al.	
D820,389 S	6/2018	Gehrung et al.	
D820,390 S	6/2018	Umkehrer	
D821,545 S	6/2018	Gehrung	
D835,235 S *	12/2018	Gehrung	D23/226
2010/0270400 A1	10/2010	Evar et al.	

* cited by examiner

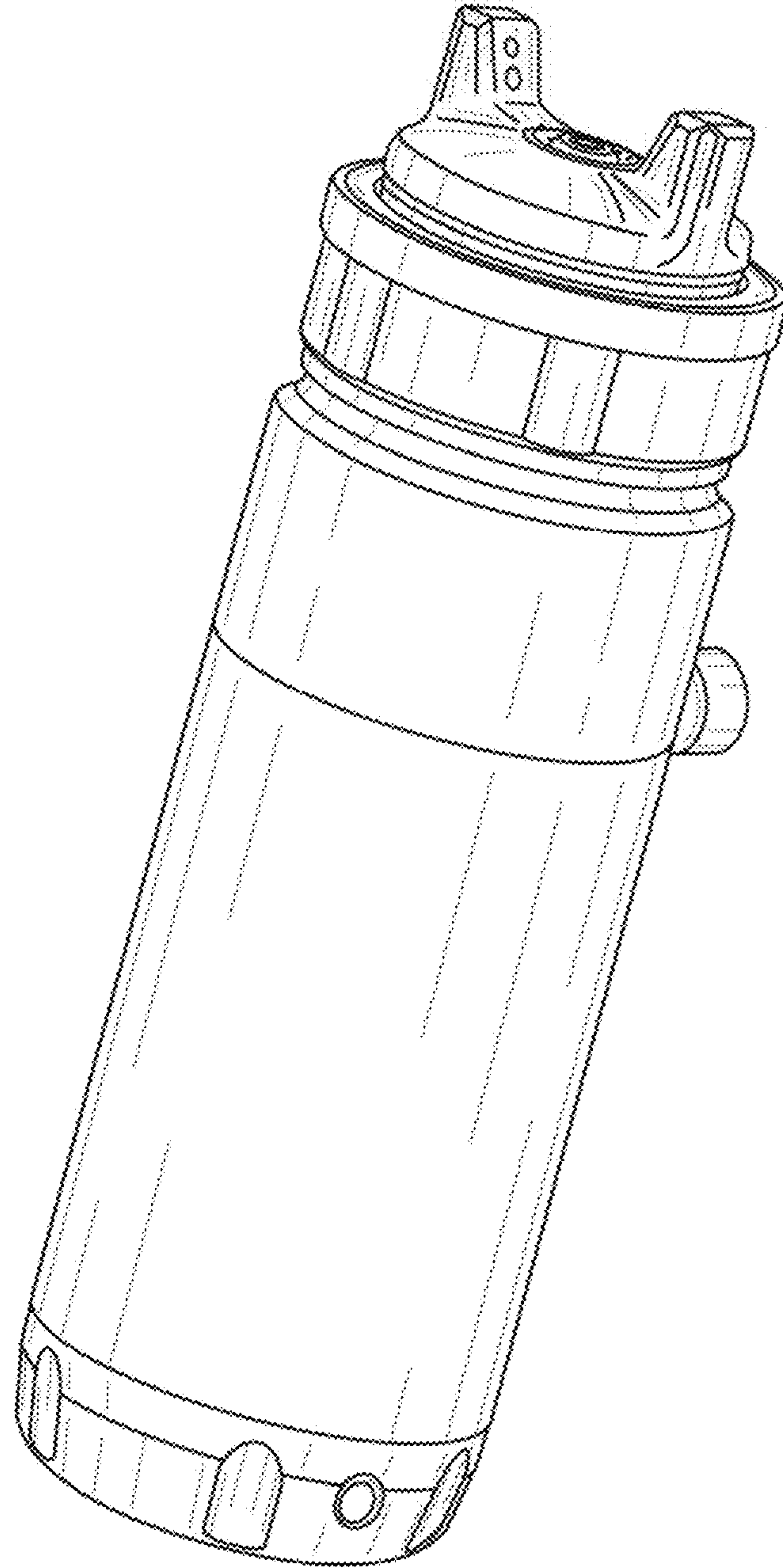


FIG. 1

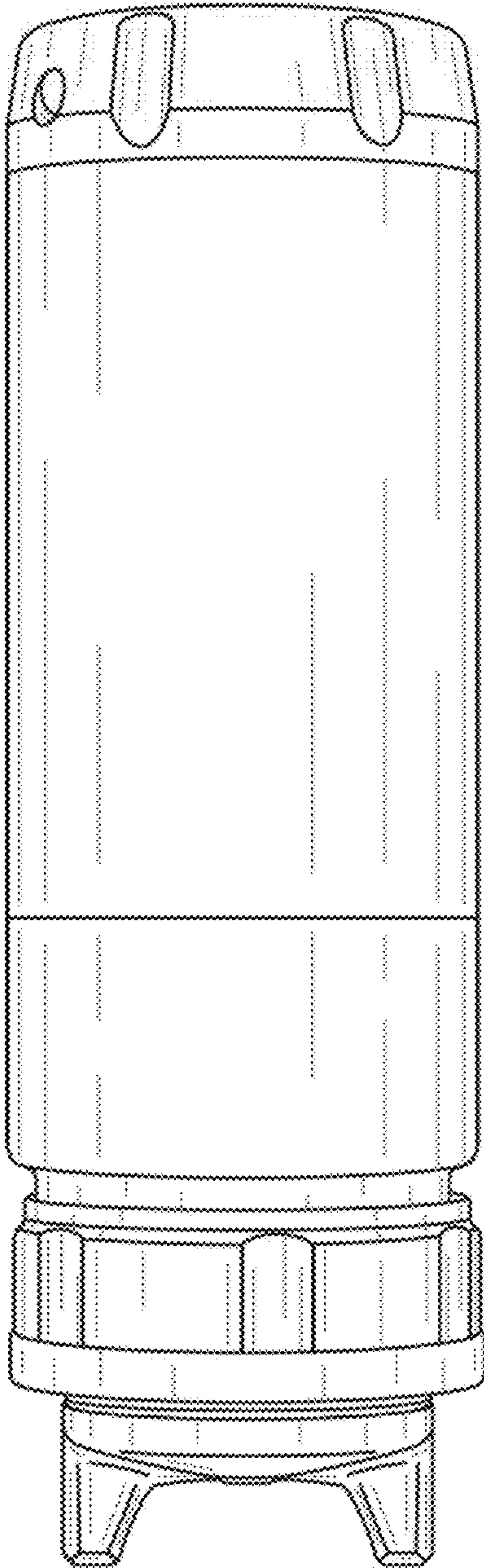


FIG. 2

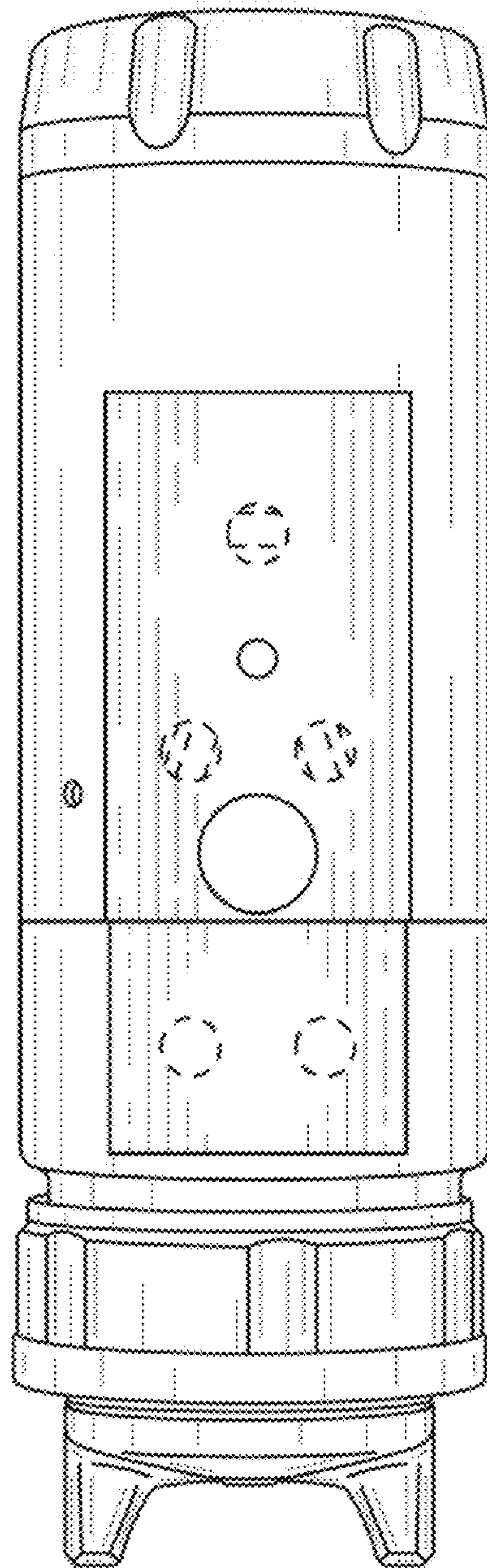


FIG. 3

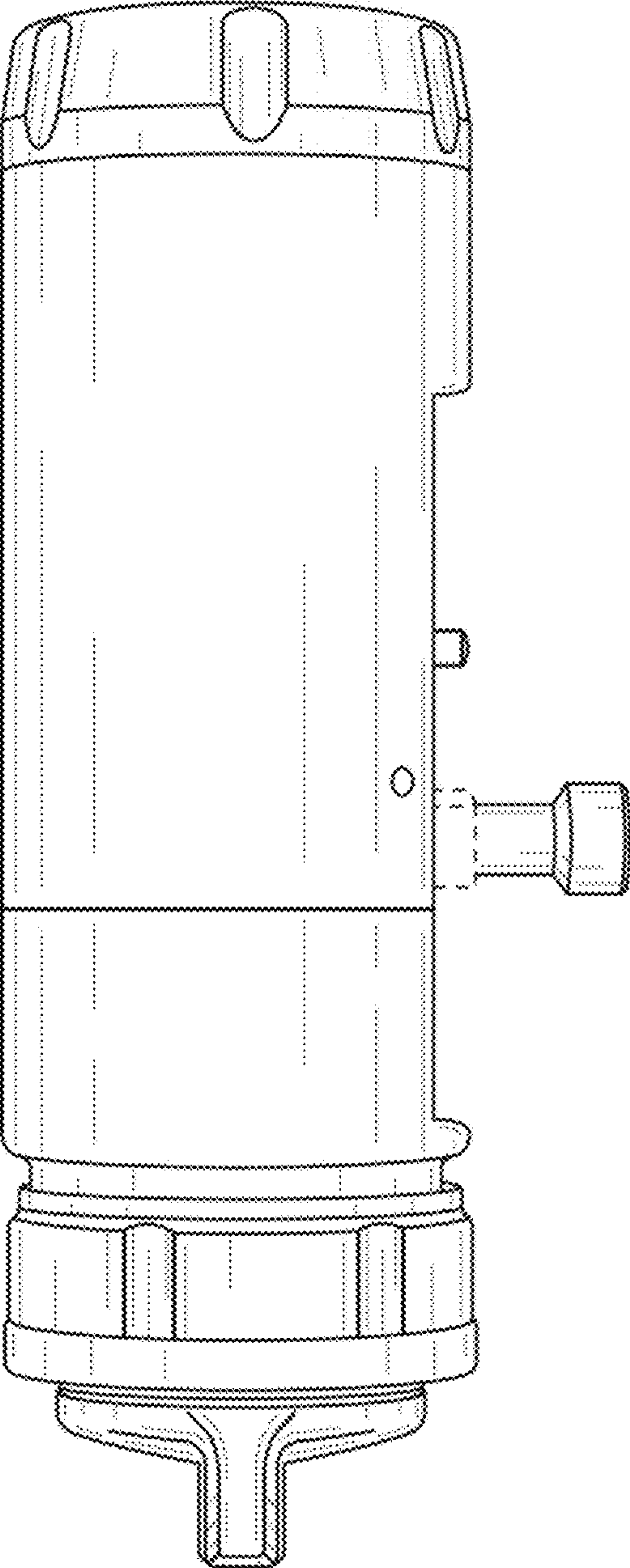


FIG. 4

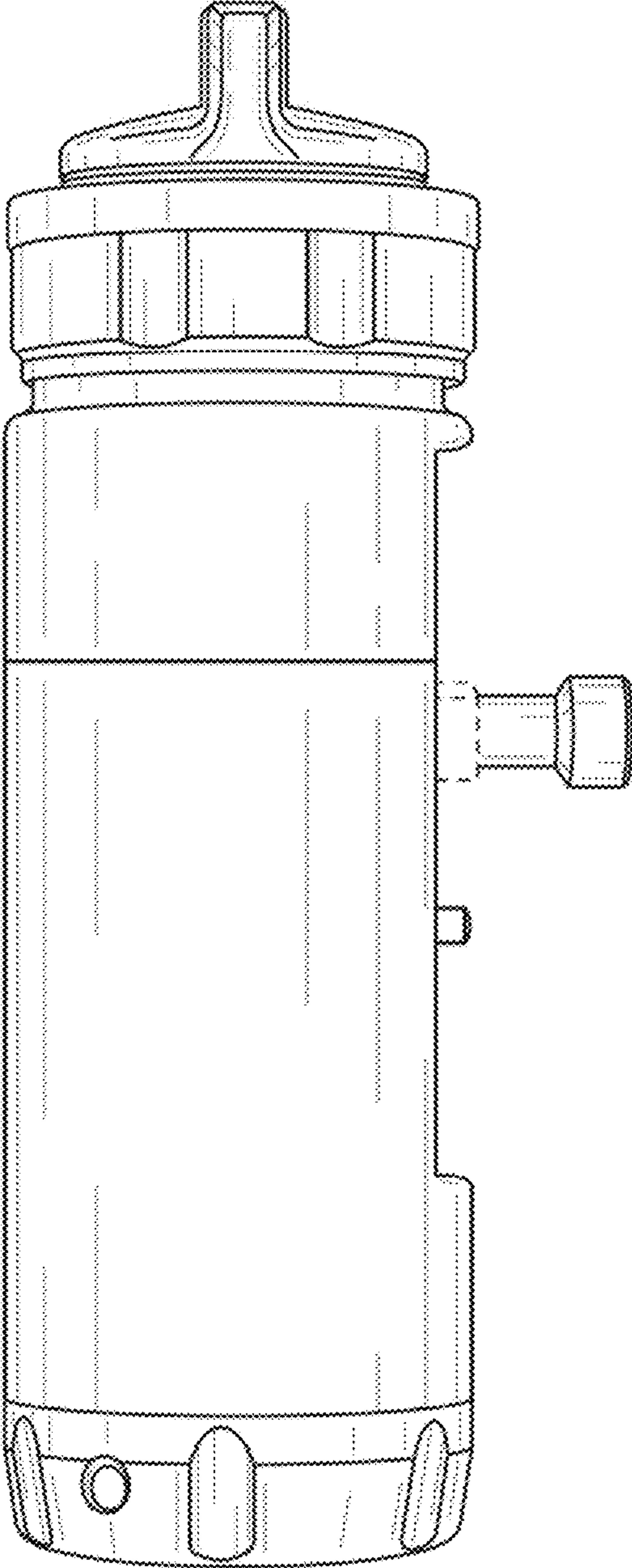


FIG. 5

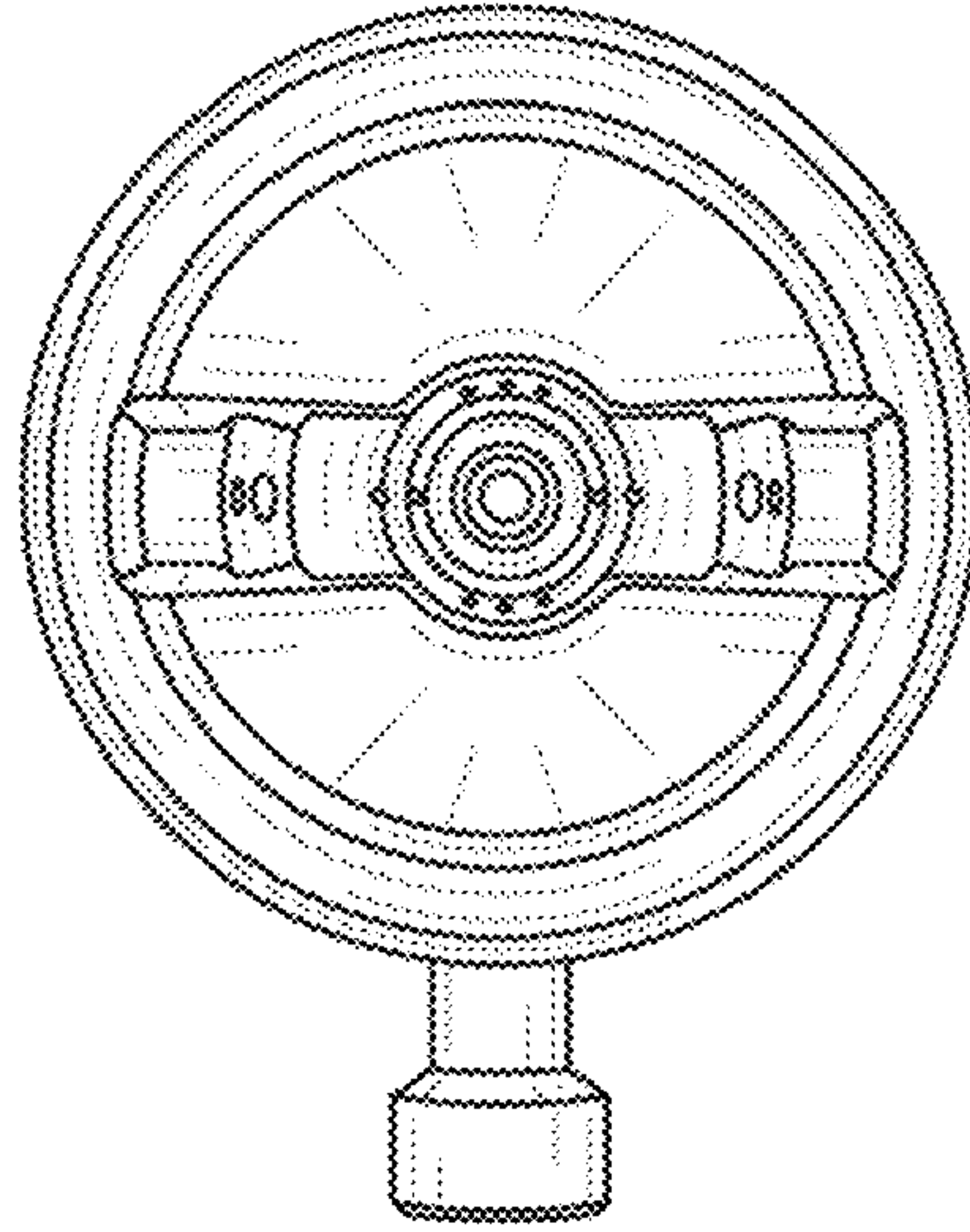


FIG. 6

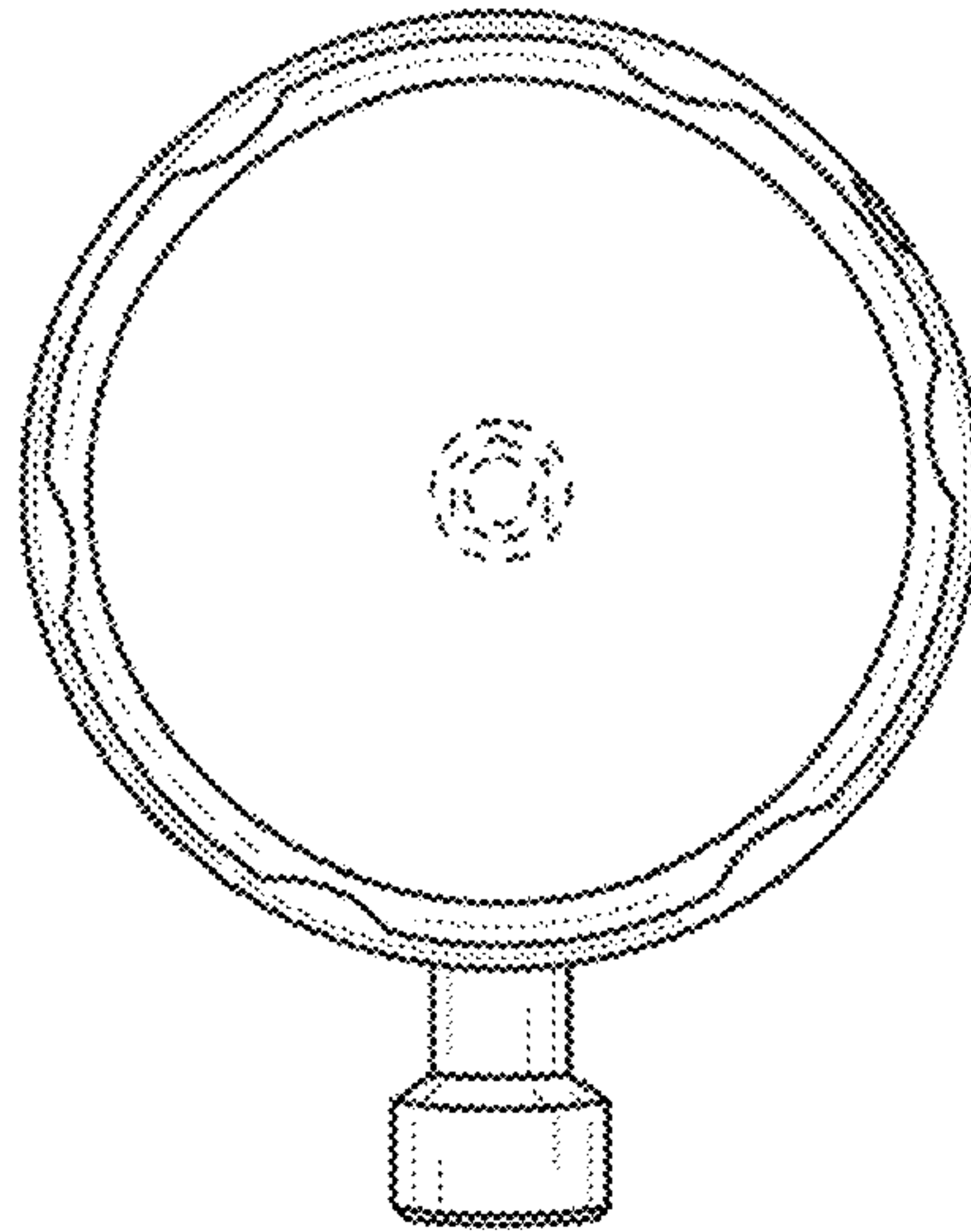


FIG. 7