



US00D874609S

(12) **United States Design Patent**  
**Brown**

(10) **Patent No.:** **US D874,609 S**

(45) **Date of Patent:** **\*\* Feb. 4, 2020**

(54) **FISHING ROD VIBRATION TRANSFER RING**

D672,429 S \* 12/2012 Lin ..... D22/142  
D767,087 S \* 9/2016 Lin ..... D22/142  
D767,088 S \* 9/2016 Lin ..... D22/142

(71) Applicant: **DO OUTDOORS LLC**, Springfield, MO (US)

\* cited by examiner

(72) Inventor: **Robert F. Brown**, Strafford, MO (US)

*Primary Examiner* — Catherine R Oliver-Garcia

(\*\*) Term: **15 Years**

(74) *Attorney, Agent, or Firm* — K&L Gates LLP

(21) Appl. No.: **29/650,756**

(57) **CLAIM**

The ornamental design for a fishing rod vibration transfer ring, as shown and described.

(22) Filed: **Jun. 8, 2018**

**DESCRIPTION**

(51) **LOC (12) Cl.** ..... **22-05**

(52) **U.S. Cl.**  
USPC ..... **D22/134**

(58) **Field of Classification Search**  
USPC ..... D22/142, 137-138; 43/21.2, 25.2, 22-23  
CPC ..... A01K 77/00; A01K 87/08; A01K 87/06;  
A01K 97/06  
See application file for complete search history.

FIG. 1 is a top front perspective view of the fishing rod vibration transfer ring showing the new design; FIG. 2 is a top rear perspective view thereof; FIG. 3 is a top view thereof; FIG. 4 is a front view thereof; FIG. 5 is a rear view thereof; FIG. 6 is a perspective view of the design as it would appear prior to being secured to a fishing rod handle; and, FIG. 7 is another perspective view of the design as it would appear prior to being secured to a spinning fishing rod handle.

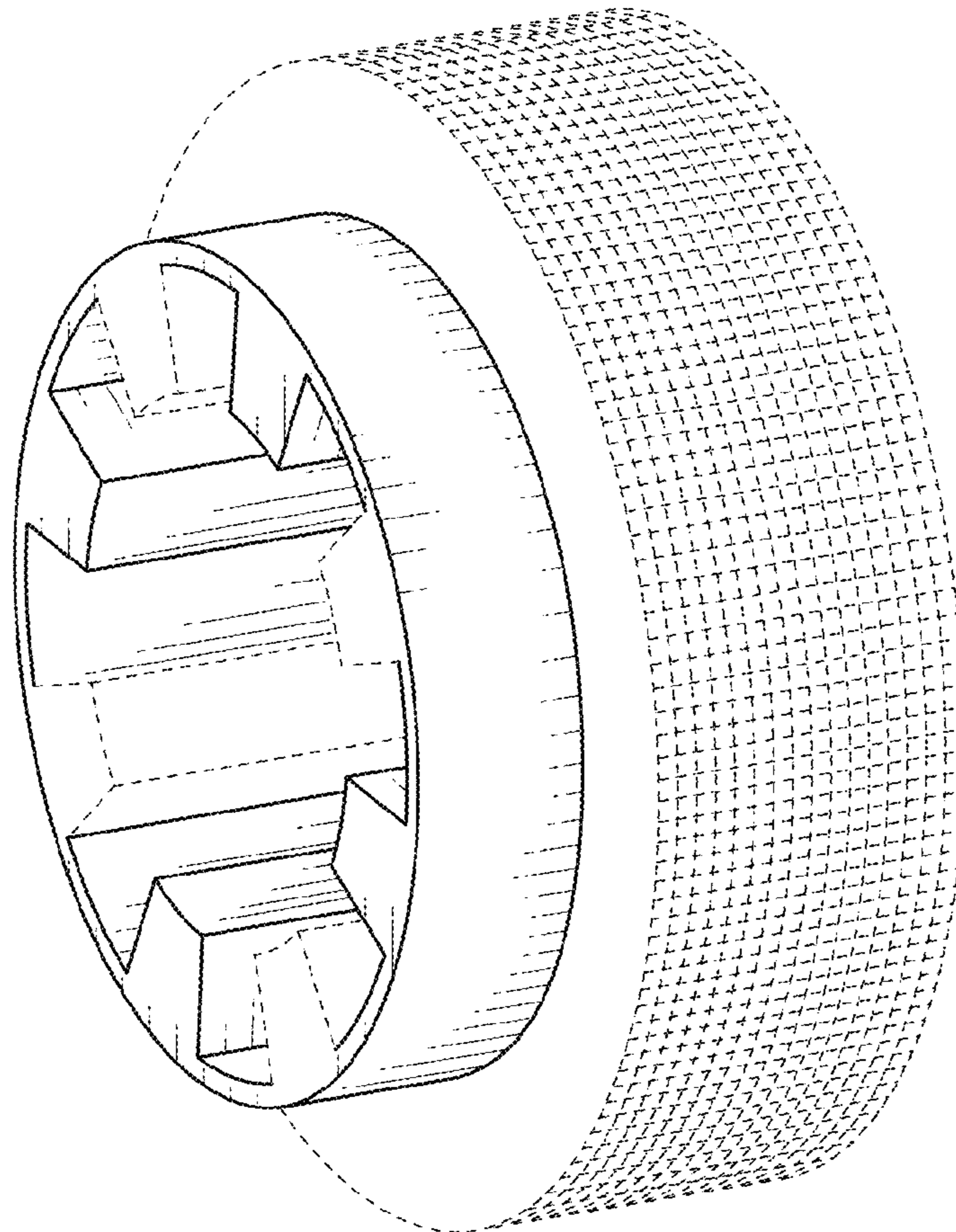
The broken lines shown in the drawings are only provided to illustrate the environment of the design and form no part of the claimed design.

(56) **References Cited**

U.S. PATENT DOCUMENTS

2,293,559 A \* 8/1942 Patterson ..... A01K 87/00  
43/23  
D613,366 S \* 4/2010 Lin ..... D22/142

**1 Claim, 7 Drawing Sheets**



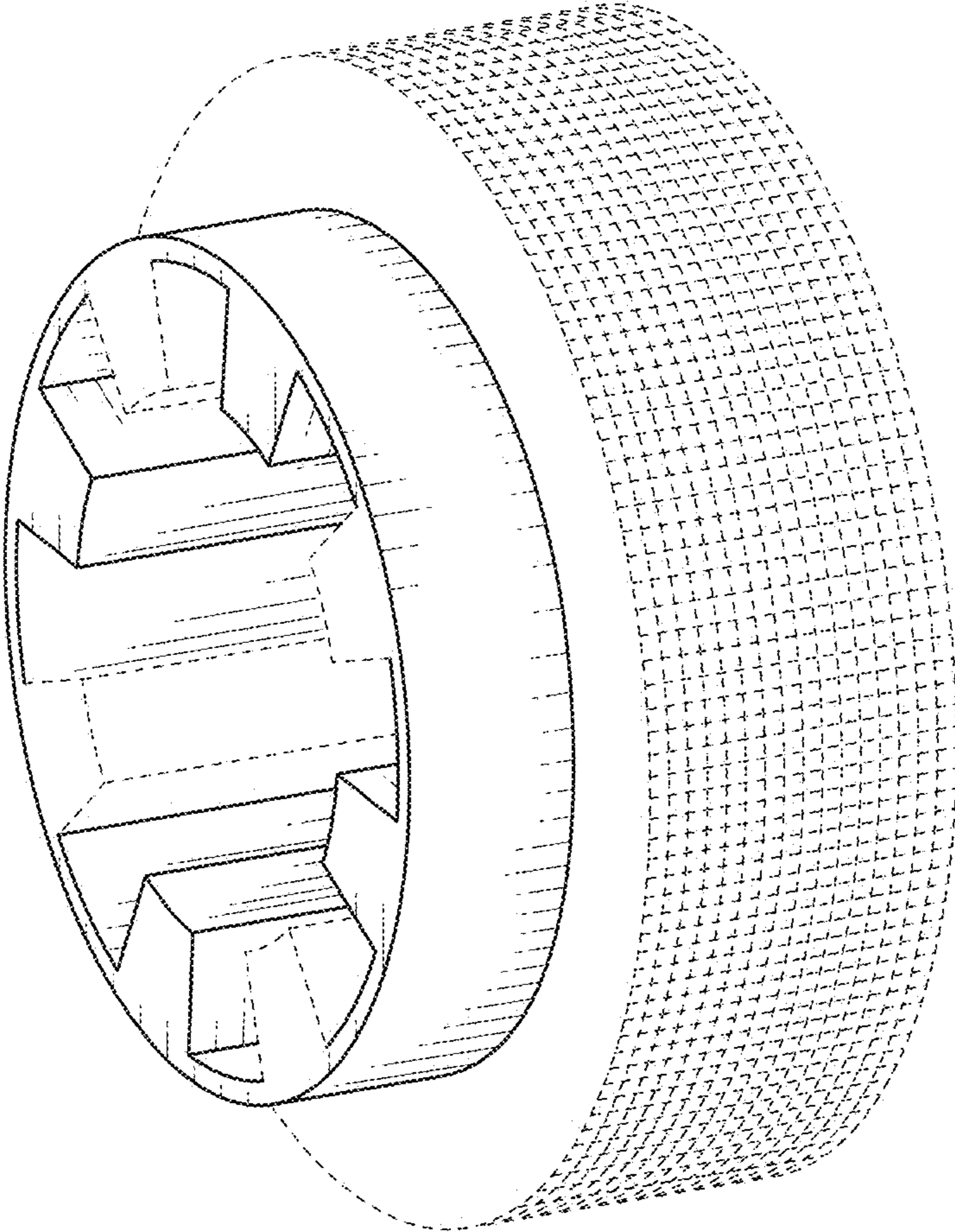


FIG. 1

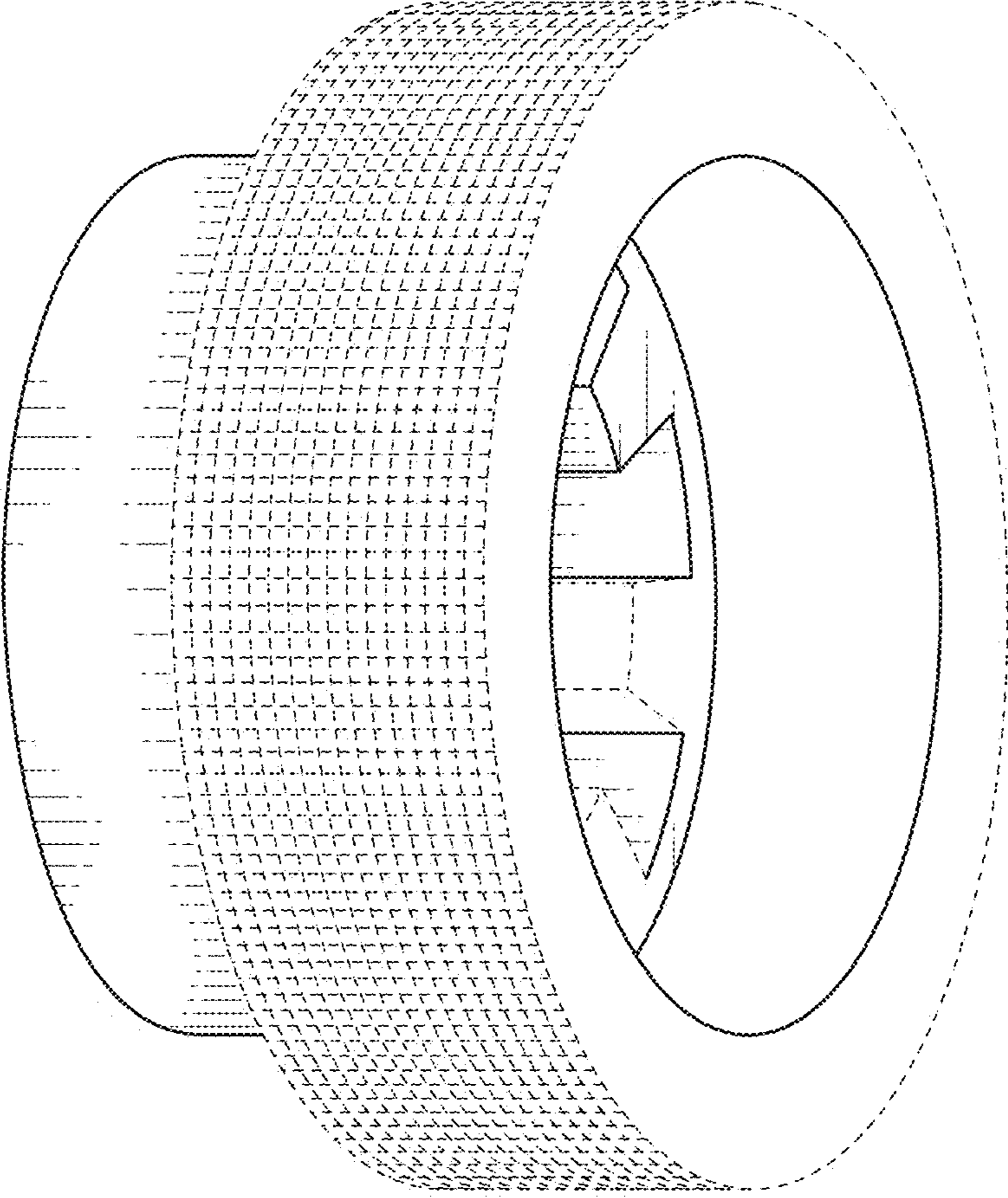


FIG. 2

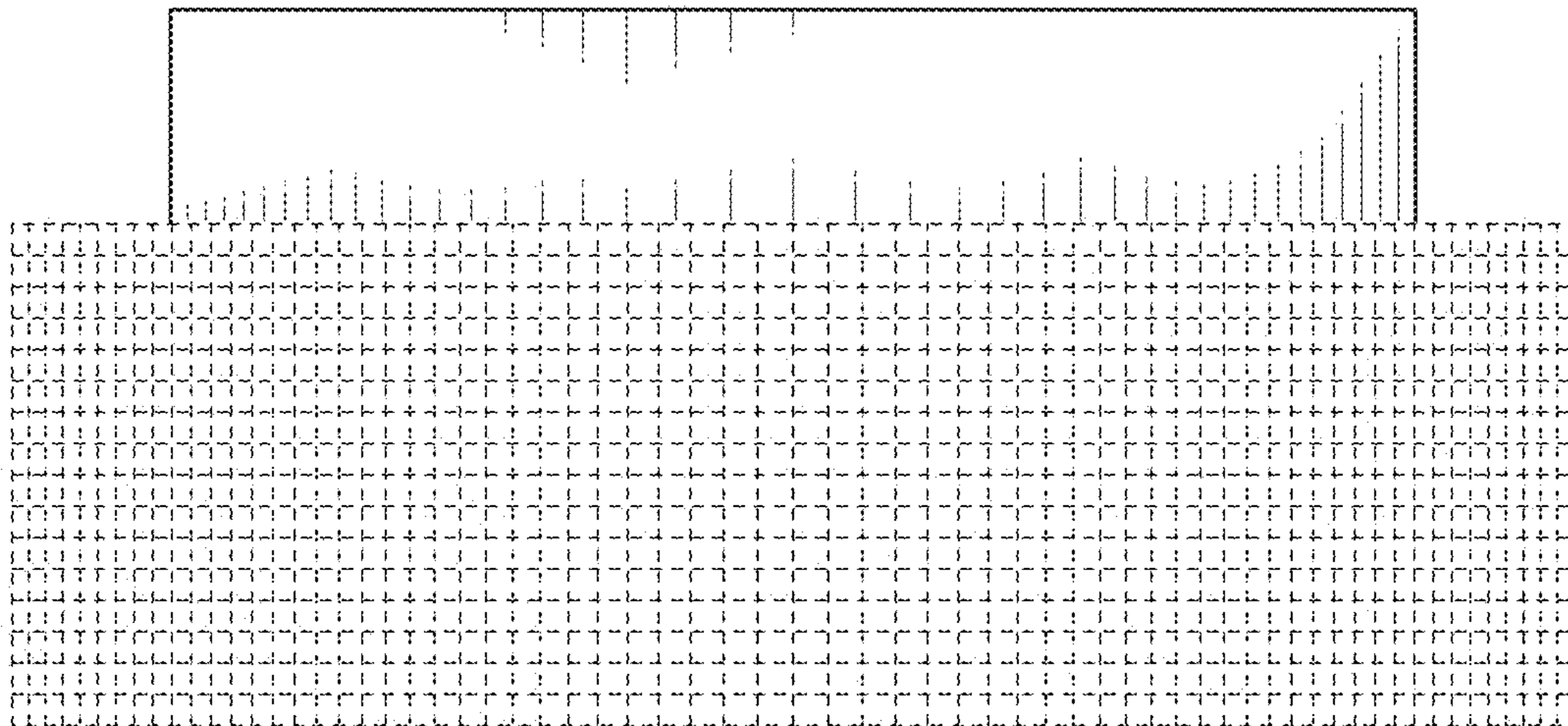


FIG. 3



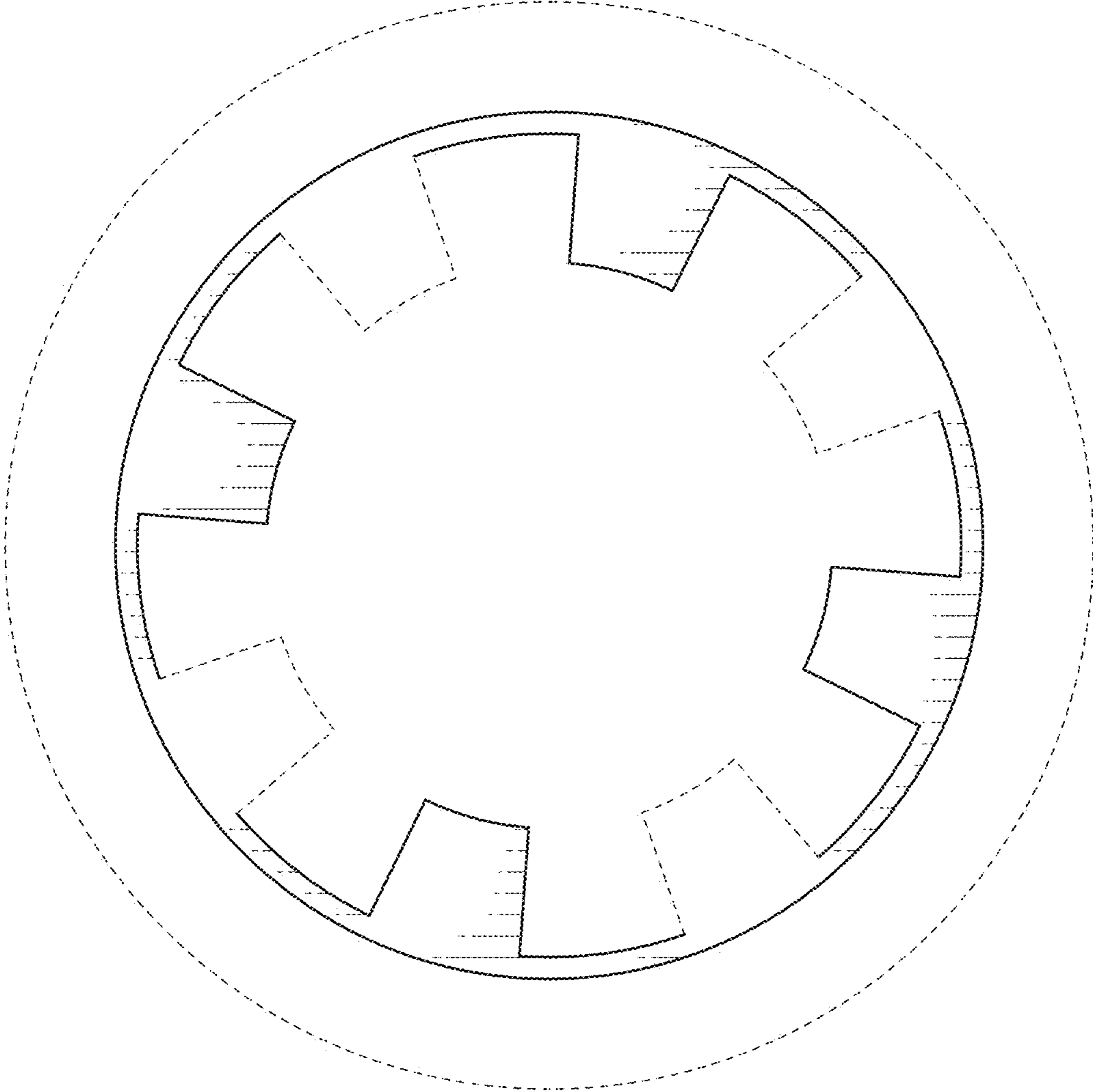


FIG. 4

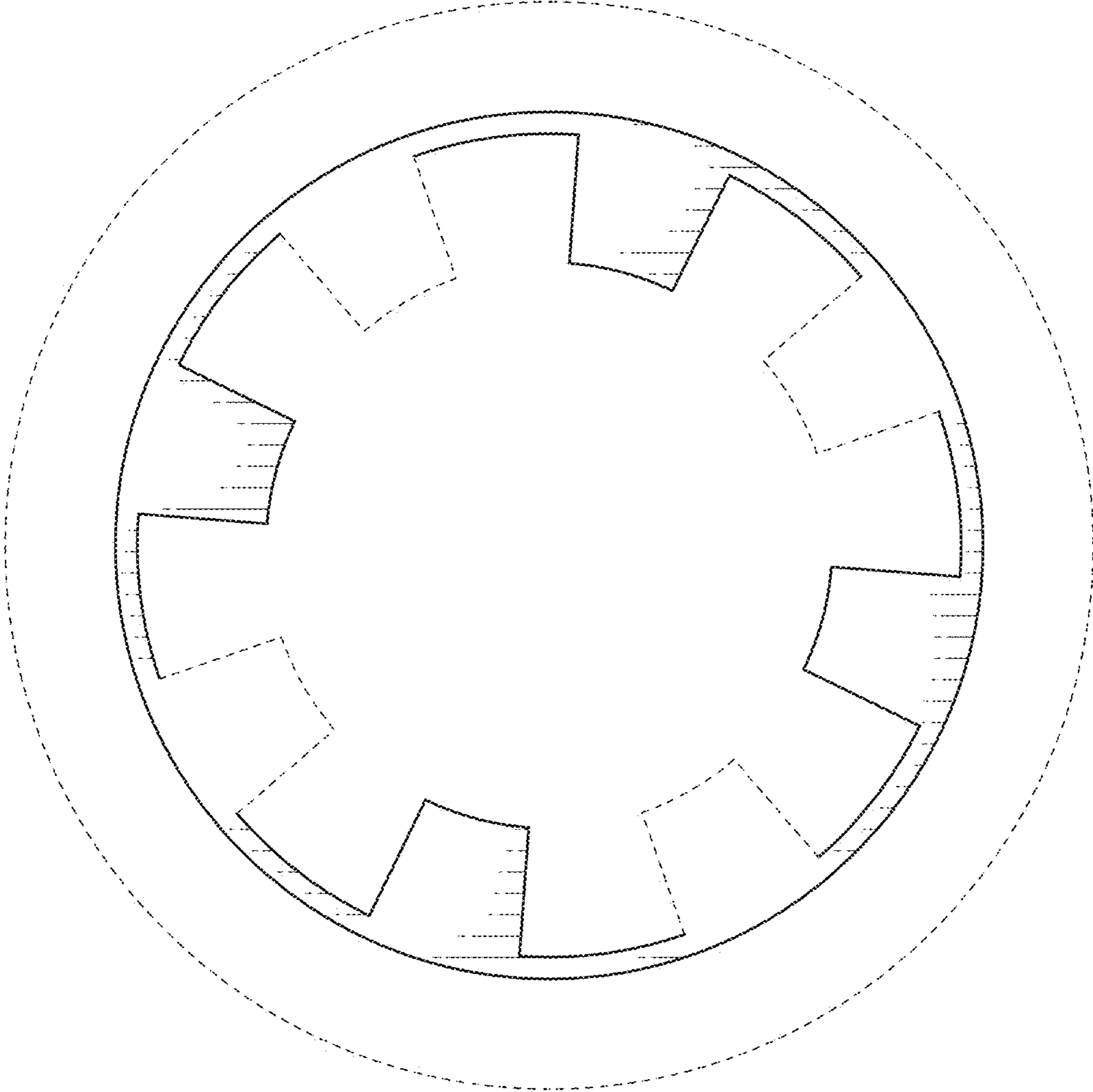


FIG. 5

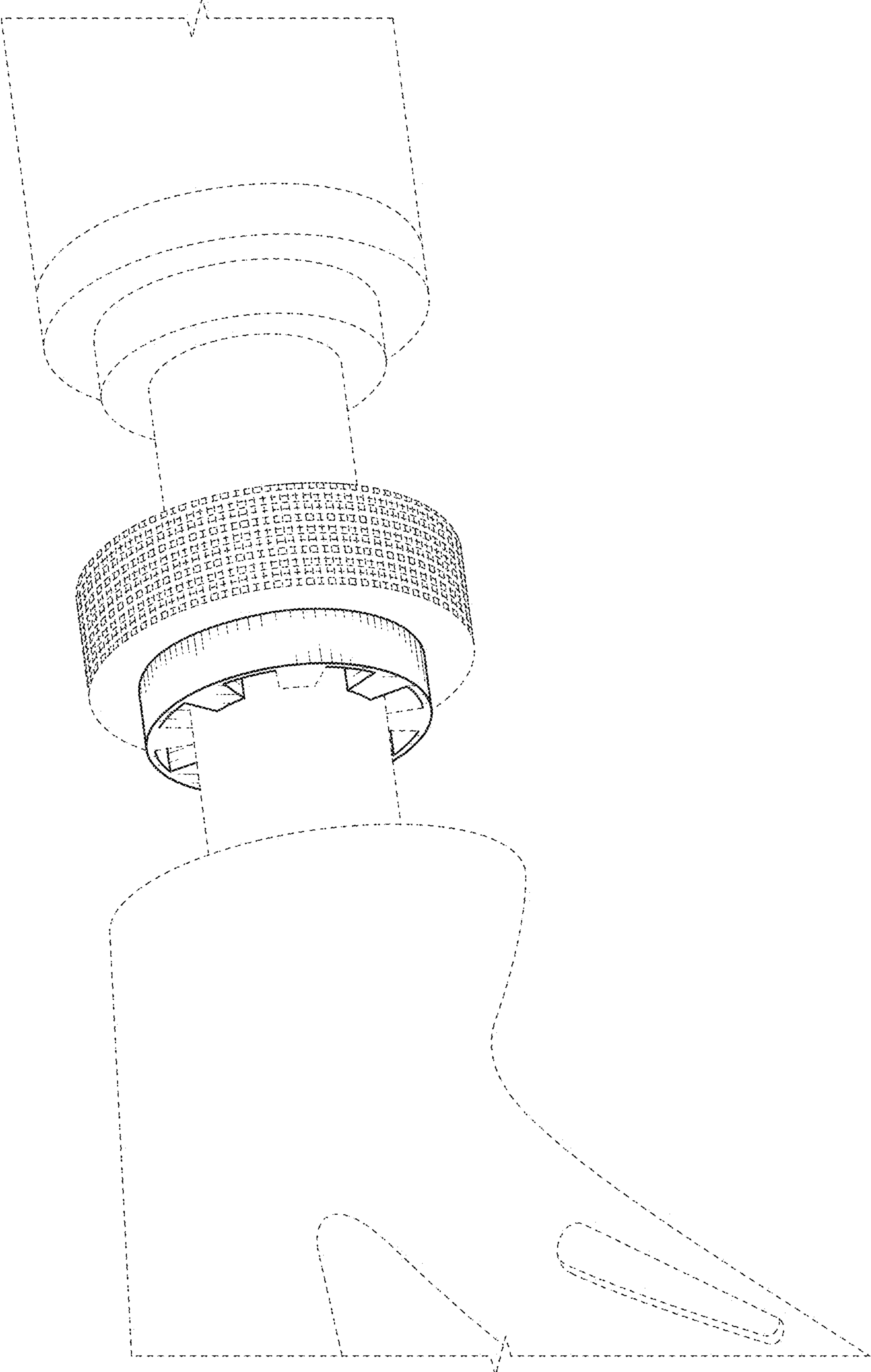


FIG. 6

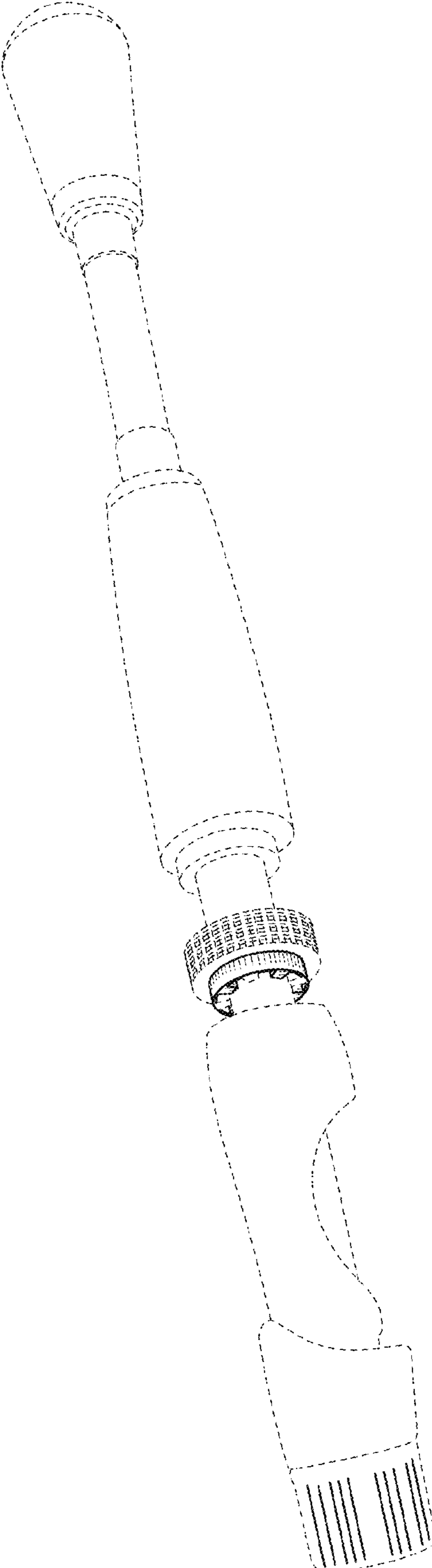


FIG. 7