



US00D874608S

(12) **United States Design Patent** (10) **Patent No.:** **US D874,608 S**  
**Ni** (45) **Date of Patent:** **\*\* Feb. 4, 2020**

(54) **STUN GUN WITH LED ILLUMINATION AND SIREN**

(71) Applicant: **Zhejiang Huadun Safety Technology Co., Ltd**, Pinghu (CN)

(72) Inventor: **Guoman Ni**, Pinghu (CN)

(\*\*) Term: **15 Years**

(21) Appl. No.: **29/667,890**

(22) Filed: **Oct. 25, 2018**

(51) **LOC (12) Cl.** ..... **22-02**

(52) **U.S. Cl.**  
USPC ..... **D22/117**

(58) **Field of Classification Search**  
USPC ..... D22/117; D26/38; 42/1.08, 1.09; 361/232; 200/519; 340/321, 574, 693.8; 222/39, 113, 192, 153.03, 123.11, 162, 222/175, 402.21; 89/1.11  
CPC ..... A62B 3/005; A62B 33/00; F41H 9/10; F41H 13/0018; F41B 15/04; F21L 4/00; F21L 4/02; H05B 3/03; H05B 3/44; G08B 15/004; G08B 21/0297; G08B 21/0446

See application file for complete search history.

(56) **References Cited**

U.S. PATENT DOCUMENTS

|                   |         |                |                         |
|-------------------|---------|----------------|-------------------------|
| 6,256,916 B1 *    | 7/2001  | McNulty .....  | F41H 13/0018<br>361/232 |
| D530,777 S *      | 10/2006 | Rhee .....     | D22/117                 |
| D661,771 S *      | 6/2012  | Nawaz .....    | D22/117                 |
| D731,612 S *      | 6/2015  | Ying .....     | D22/117                 |
| D806,824 S *      | 1/2018  | Fan .....      | D22/117                 |
| 2016/0327375 A1 * | 11/2016 | Alherimi ..... | G08B 15/004             |

\* cited by examiner

*Primary Examiner* — Catherine R Oliver-Garcia

(74) *Attorney, Agent, or Firm* — W&K IP

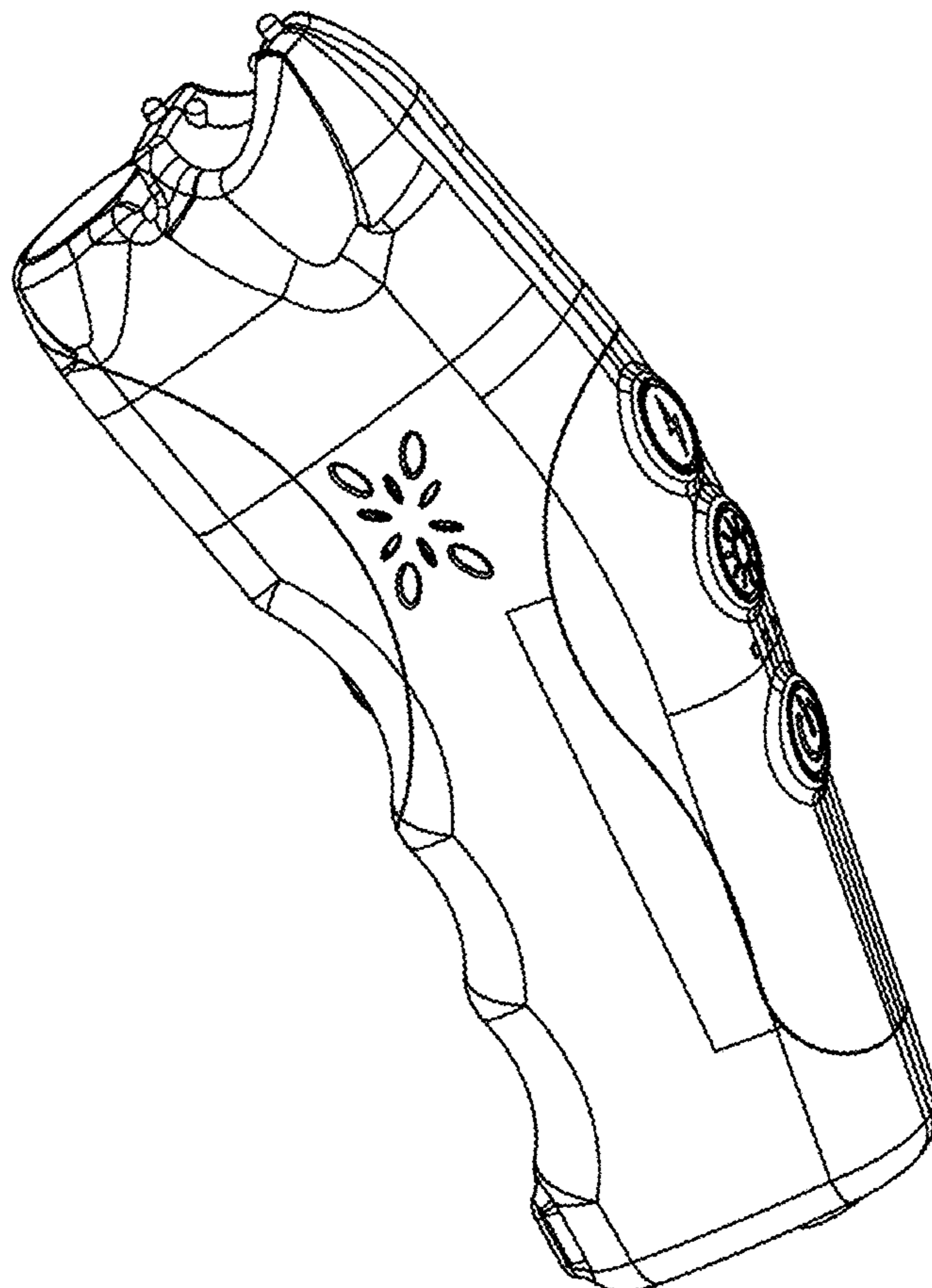
(57) **CLAIM**

The ornamental design for a stun gun with LED illumination and siren, as shown and described.

**DESCRIPTION**

FIG. 1 is a perspective view showing a stun gun with LED illumination and siren;  
FIG. 2 is a front view thereof;  
FIG. 3 is a rear view thereof;  
FIG. 4 is a left side view thereof;  
FIG. 5 is a right side view thereof;  
FIG. 6 is a top plan view thereof; and,  
FIG. 7 is a bottom plan view thereof.

**1 Claim, 7 Drawing Sheets**



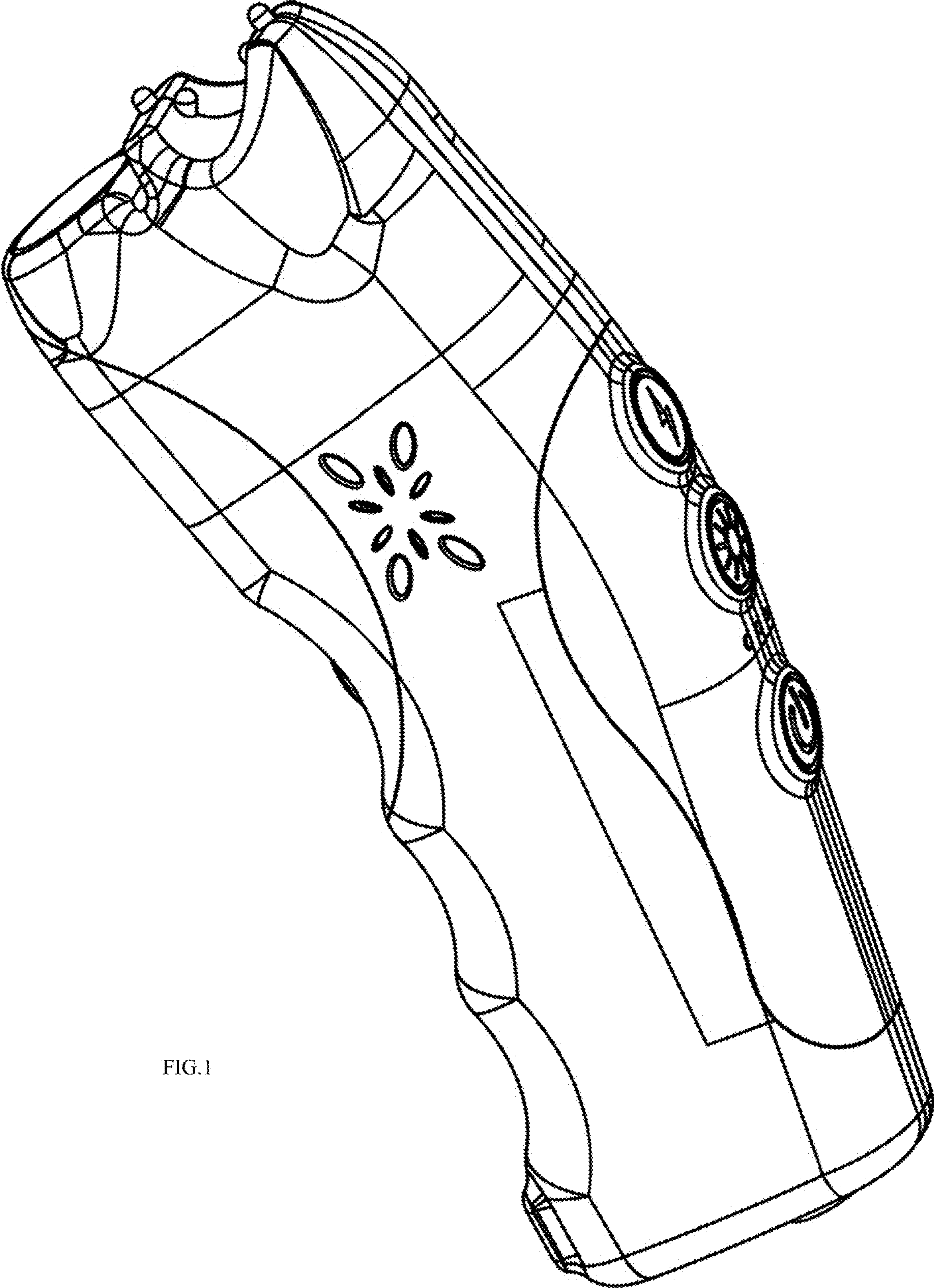


FIG.1

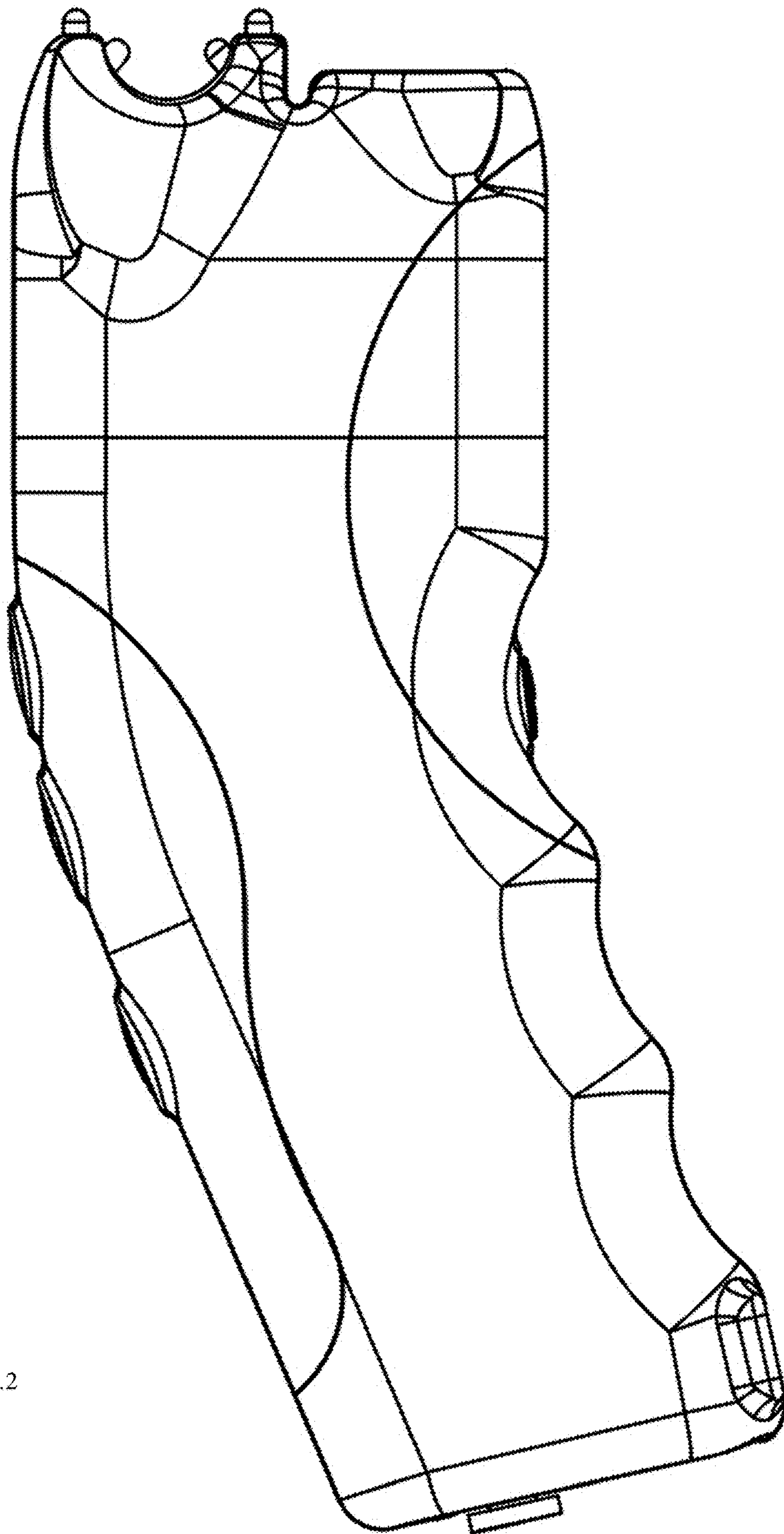


FIG.2

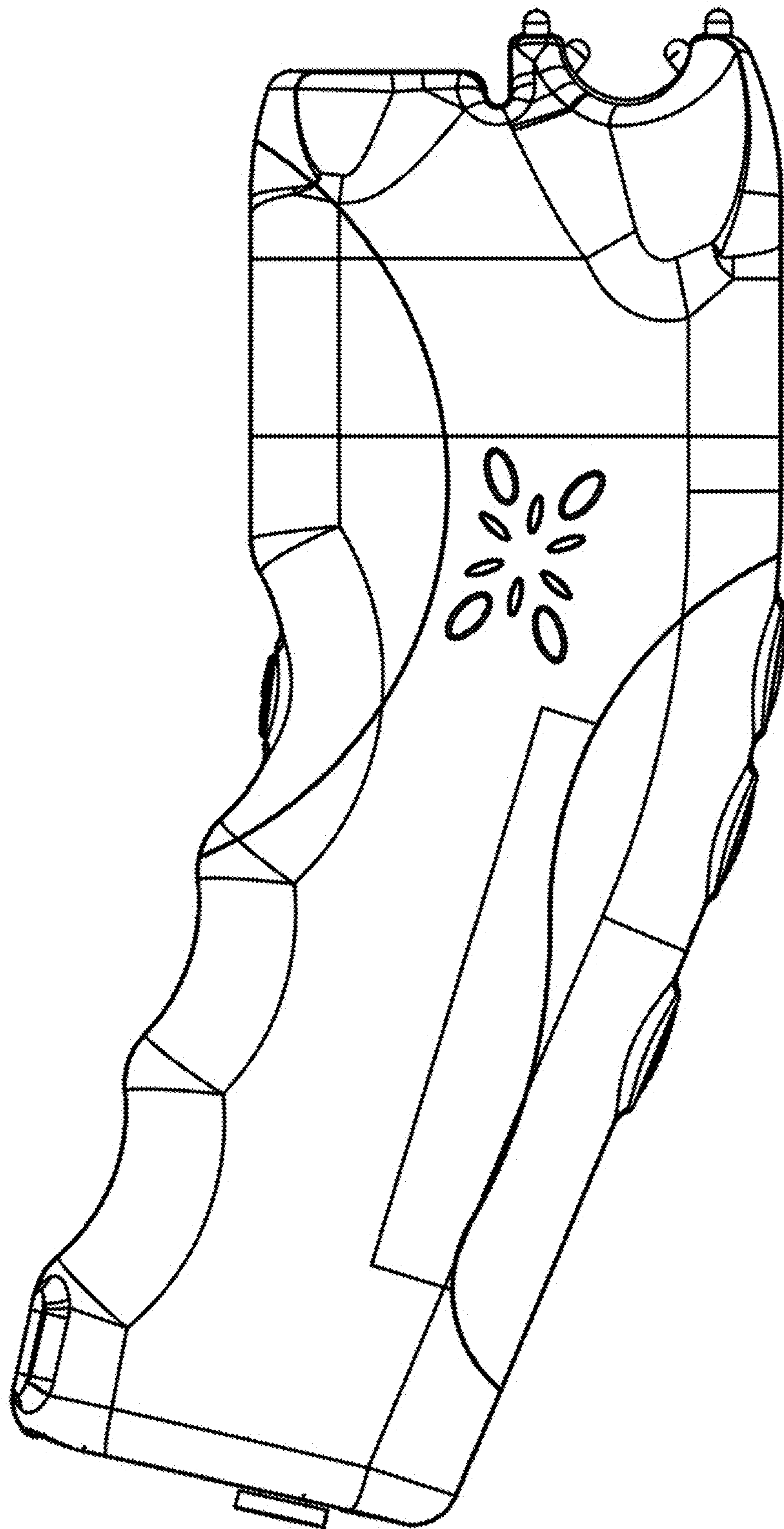


FIG.3

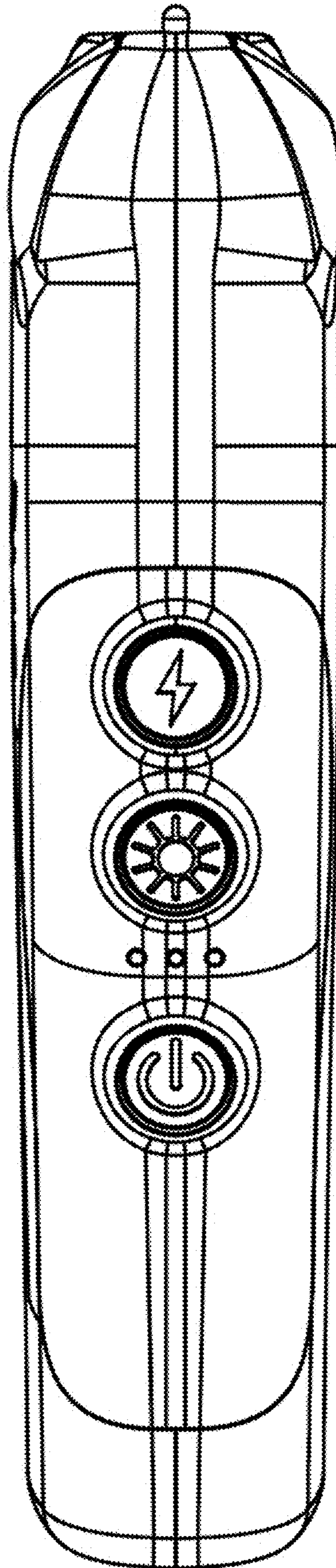


FIG.4

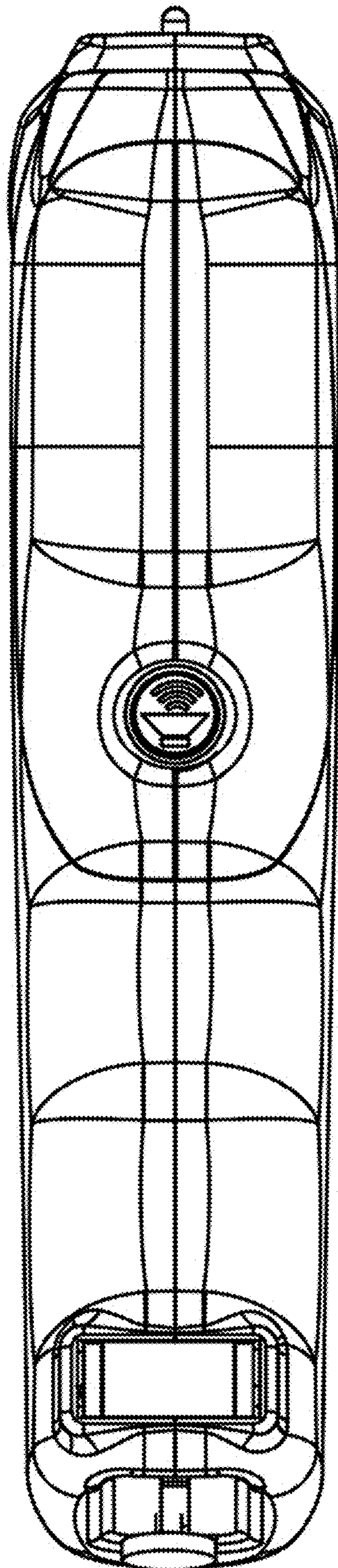


FIG.5

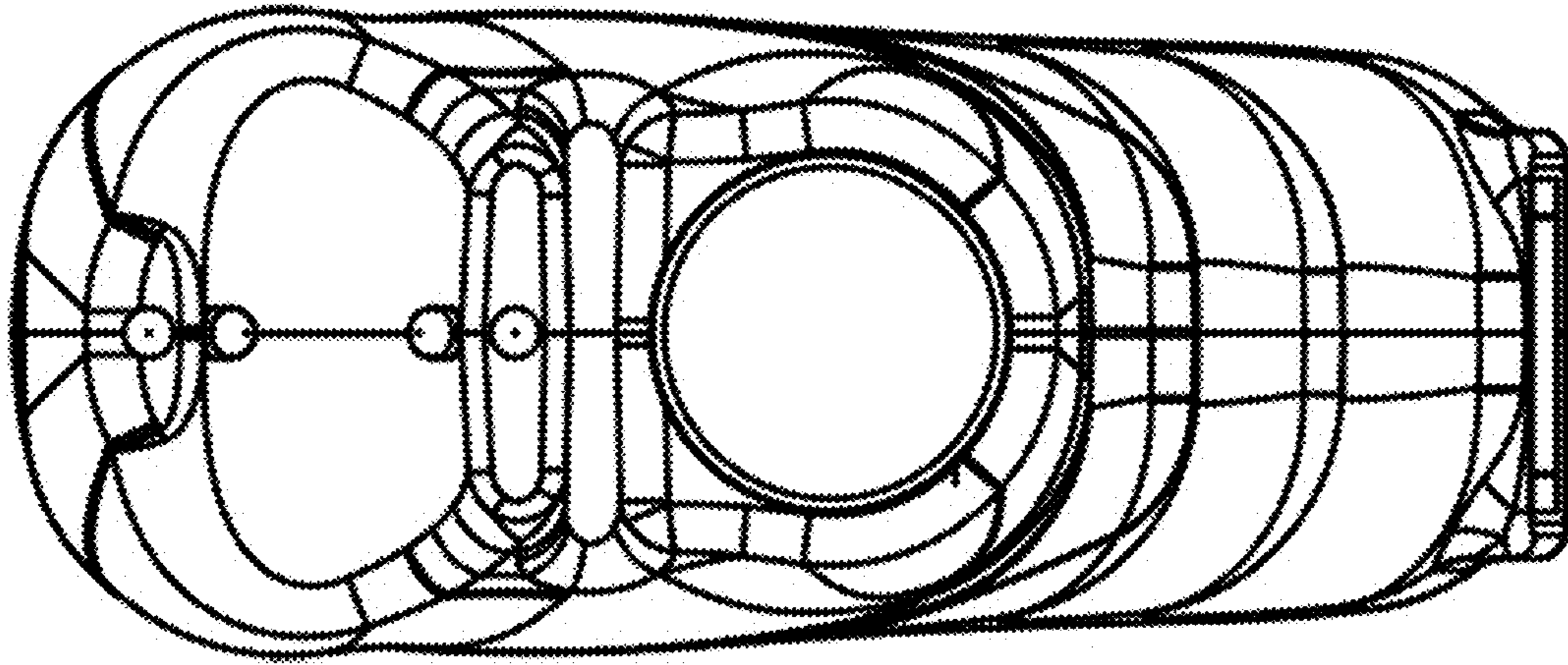


FIG.6

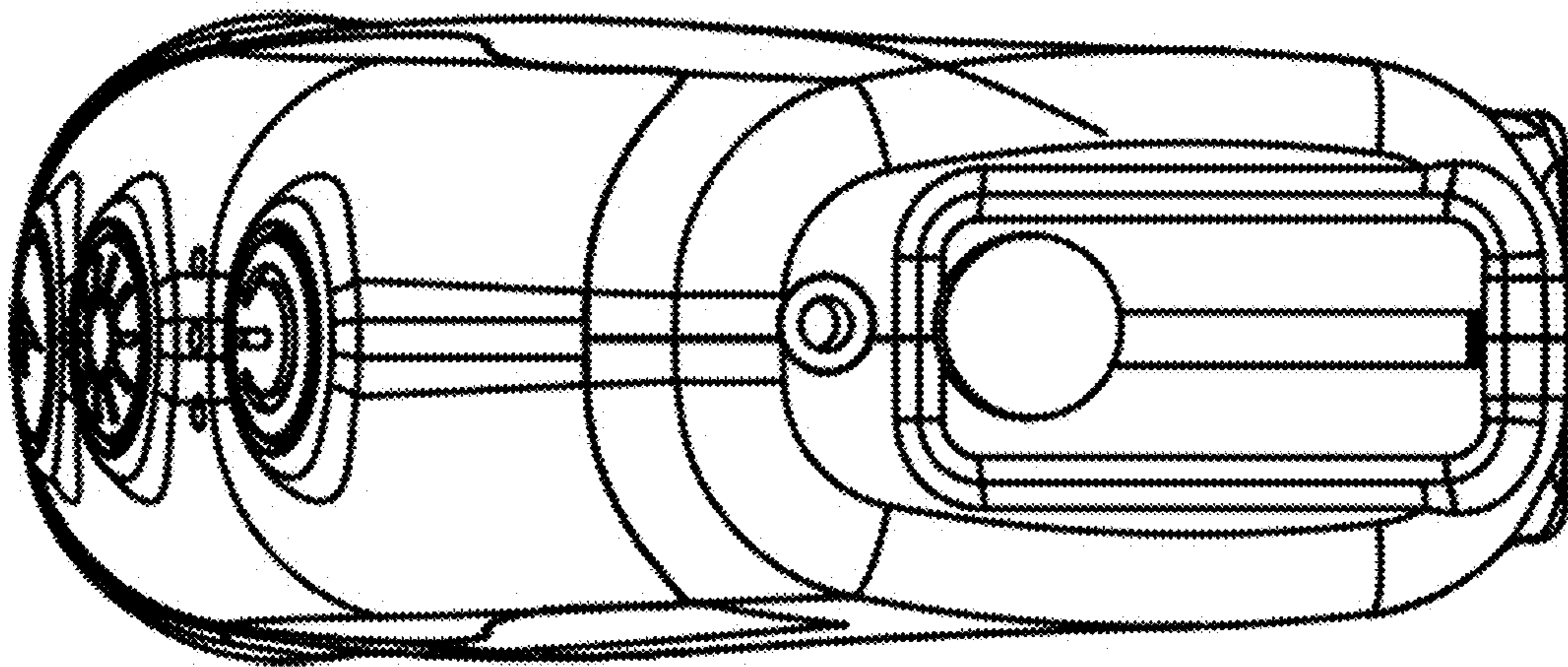


FIG. 7