



US00D874606S

(12) **United States Design Patent**  
**Yang**

(10) **Patent No.:** **US D874,606 S**

(45) **Date of Patent:** **\*\* Feb. 4, 2020**

(54) **STUN GUN WITH LED ILLUMINATION**

(71) Applicant: **Zhangli Yang**, Pinghu (CN)

(72) Inventor: **Zhangli Yang**, Pinghu (CN)

(\*\*) Term: **15 Years**

(21) Appl. No.: **29/667,864**

(22) Filed: **Oct. 25, 2018**

(51) **LOC (12) Cl.** ..... **22-02**

(52) **U.S. Cl.**  
USPC ..... **D22/117**

(58) **Field of Classification Search**  
USPC ..... D22/117; D26/38, 42, 46; 42/1.08, 1.09;  
361/232; 200/519; 340/321, 574, 693.8;  
222/39, 113, 192, 153.03, 162, 175,  
222/402.21; 89/1.1  
CPC ..... A62B 3/005; A62B 33/00; F41H 9/10;  
F41H 13/0018; F41B 15/04; F21L 4/00;  
F21L 4/02; H05B 3/03; H05B 3/44;  
G08B 15/004; G08B 21/0297; G08B  
21/0446

See application file for complete search history.

(56) **References Cited**

**U.S. PATENT DOCUMENTS**

D724,247 S \* 3/2015 Chouprinov ..... D22/117  
D745,987 S \* 12/2015 Nawaz ..... D22/117

D747,521 S \* 1/2016 Sheikh ..... D22/117  
D748,309 S \* 1/2016 Cheng ..... D22/117  
D782,603 S \* 3/2017 Fan ..... D22/117  
D783,118 S \* 4/2017 Fan ..... D22/117  
D797,882 S \* 9/2017 Tang ..... D22/117  
D838,336 S \* 1/2019 Tang ..... D22/117

\* cited by examiner

*Primary Examiner* — Catherine R Oliver-Garcia

(74) *Attorney, Agent, or Firm* — W&K IP

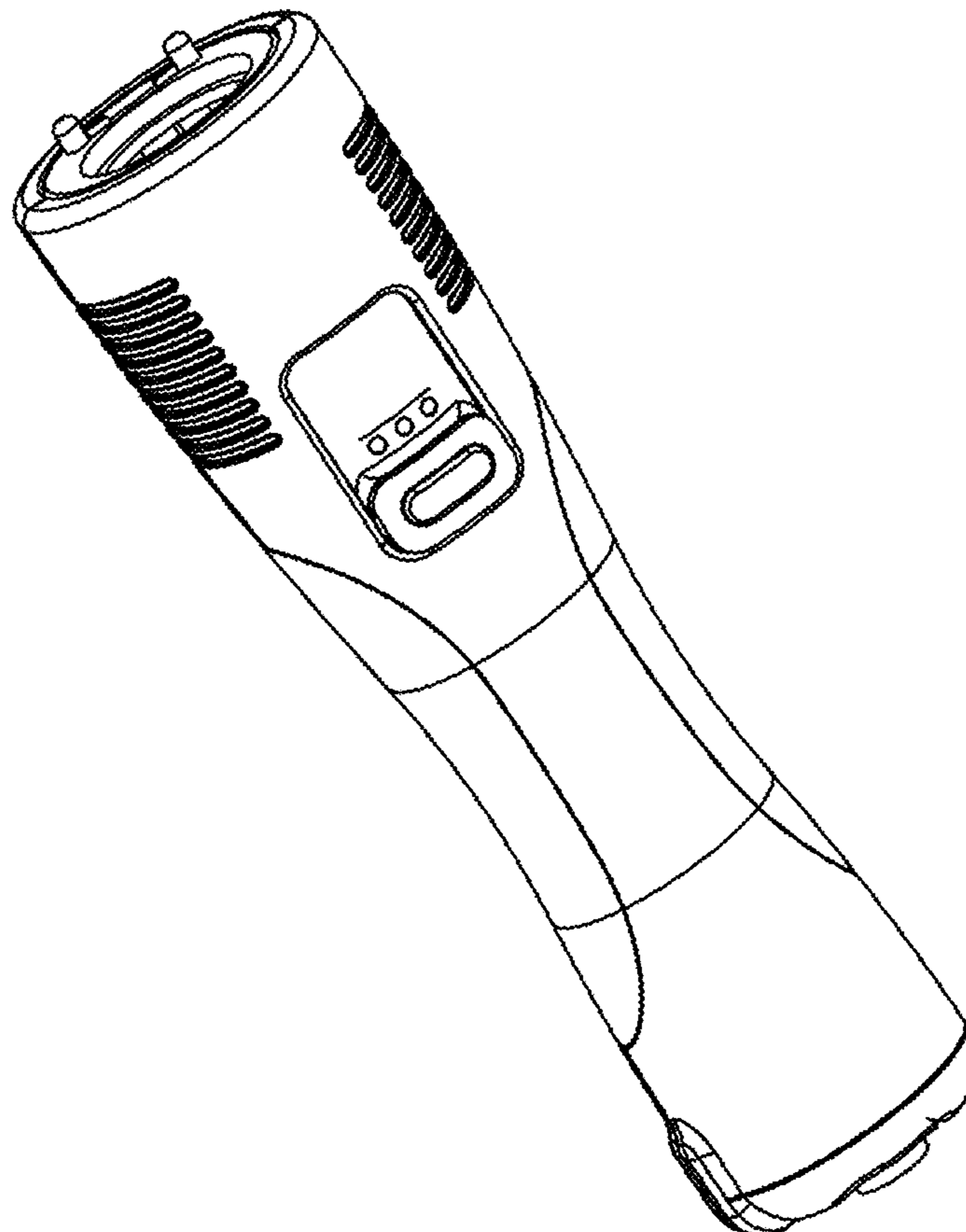
(57) **CLAIM**

The ornamental design for a stun gun with LED illumination, as shown and described.

**DESCRIPTION**

FIG. 1 is a perspective view showing a stun gun with LED illumination;  
FIG. 2 is a front view thereof;  
FIG. 3 is a rear view thereof;  
FIG. 4 is a left side view thereof;  
FIG. 5 is a right side view thereof;  
FIG. 6 is a top plan view thereof; and,  
FIG. 7 is a bottom plan view thereof.

**1 Claim, 7 Drawing Sheets**



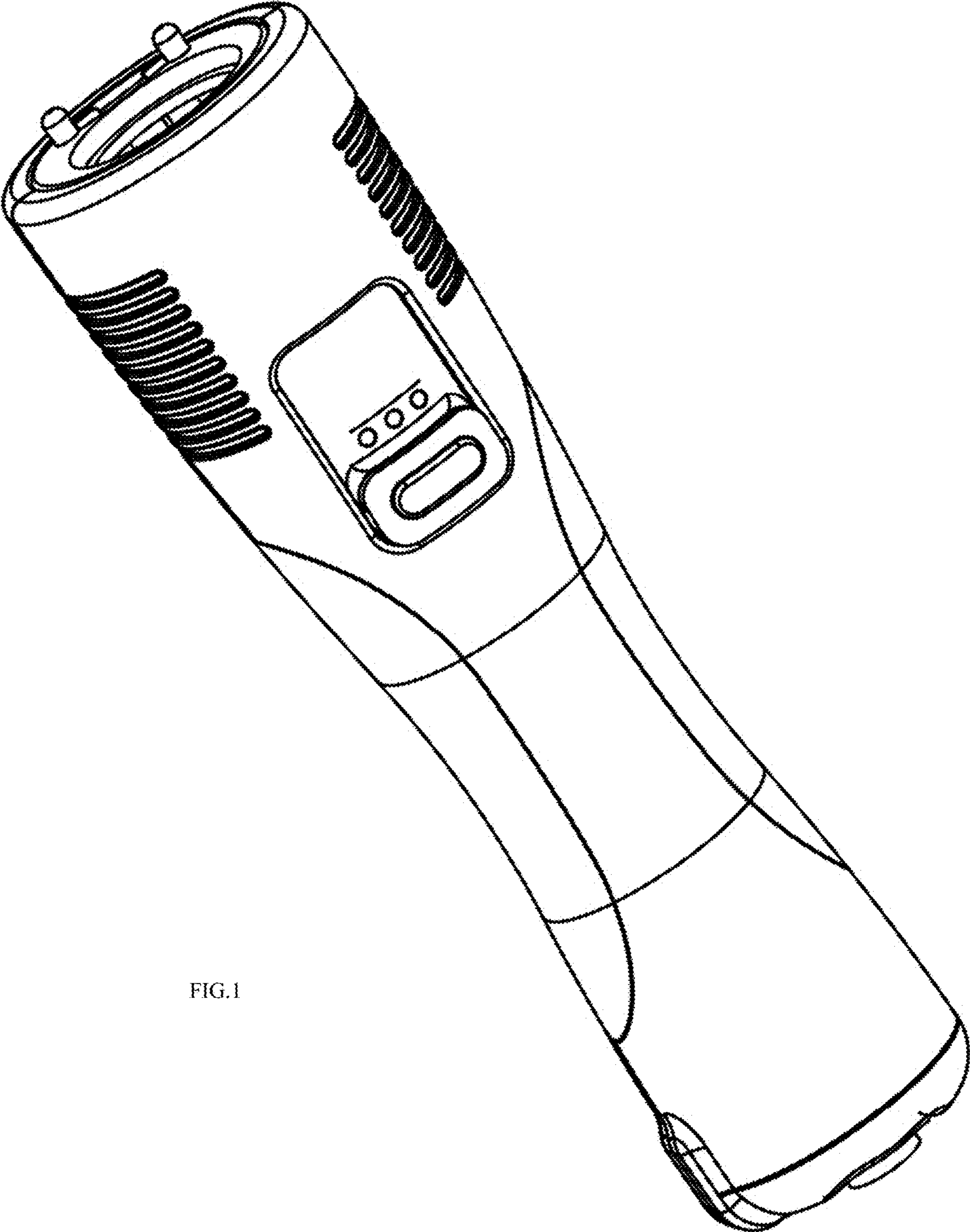


FIG.1

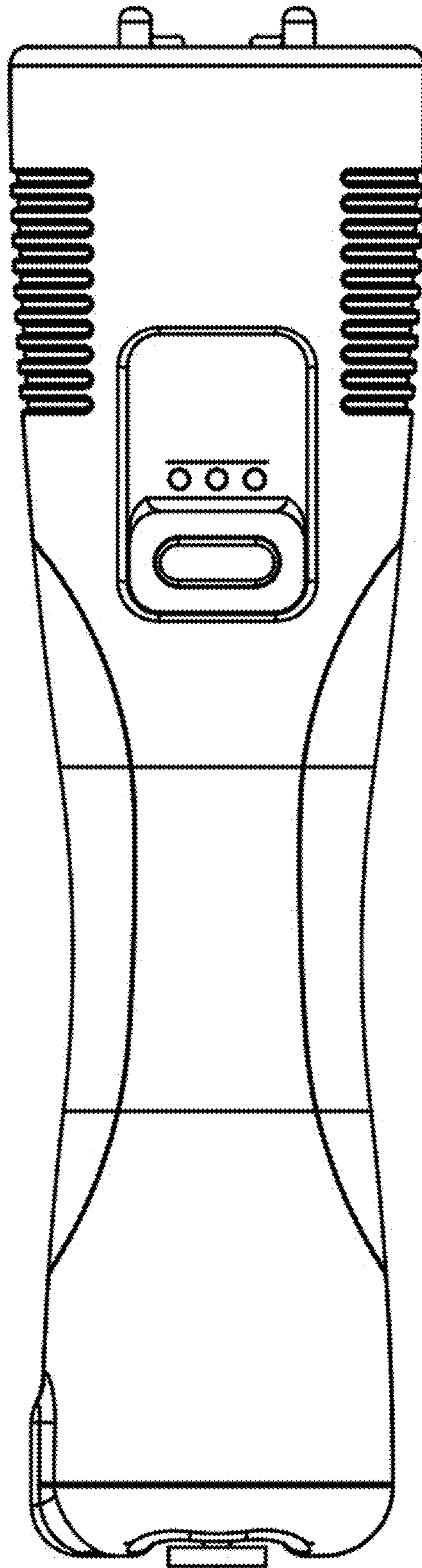


FIG.2

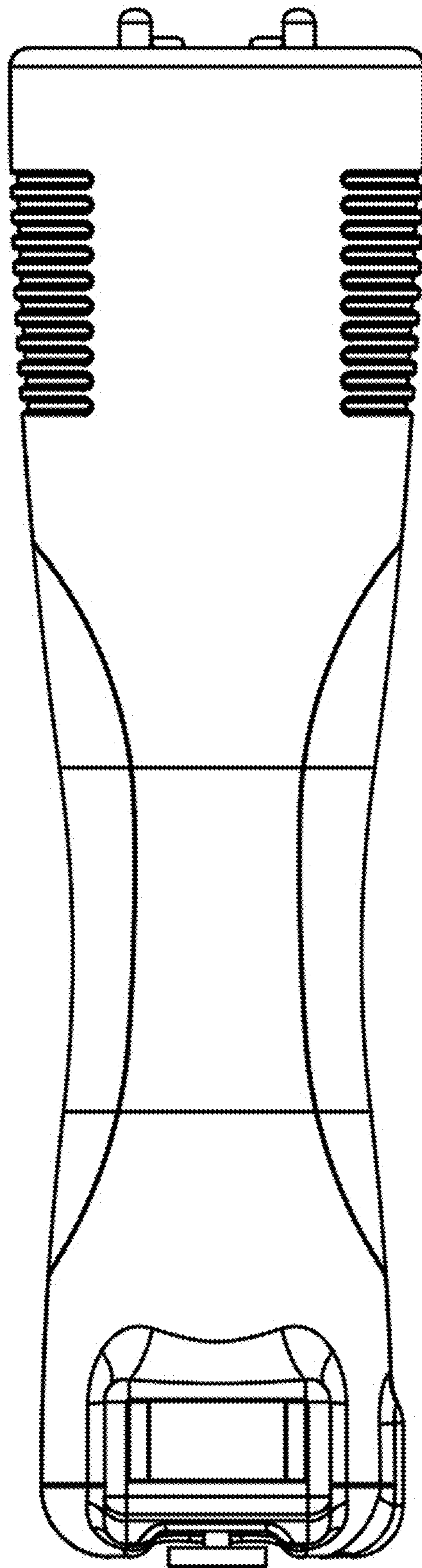


FIG.3



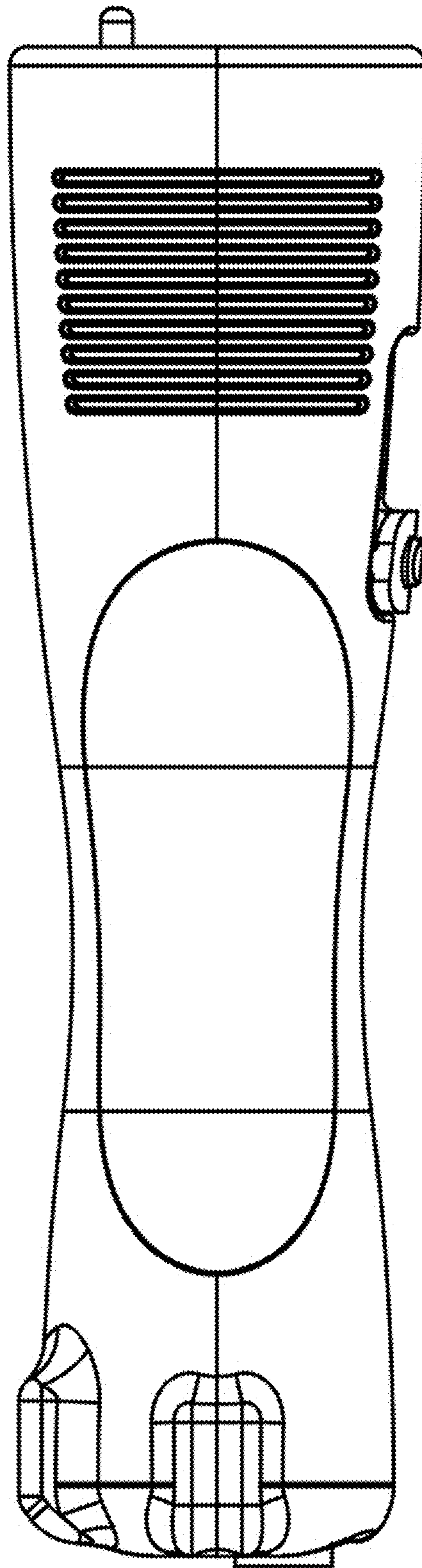


FIG.4

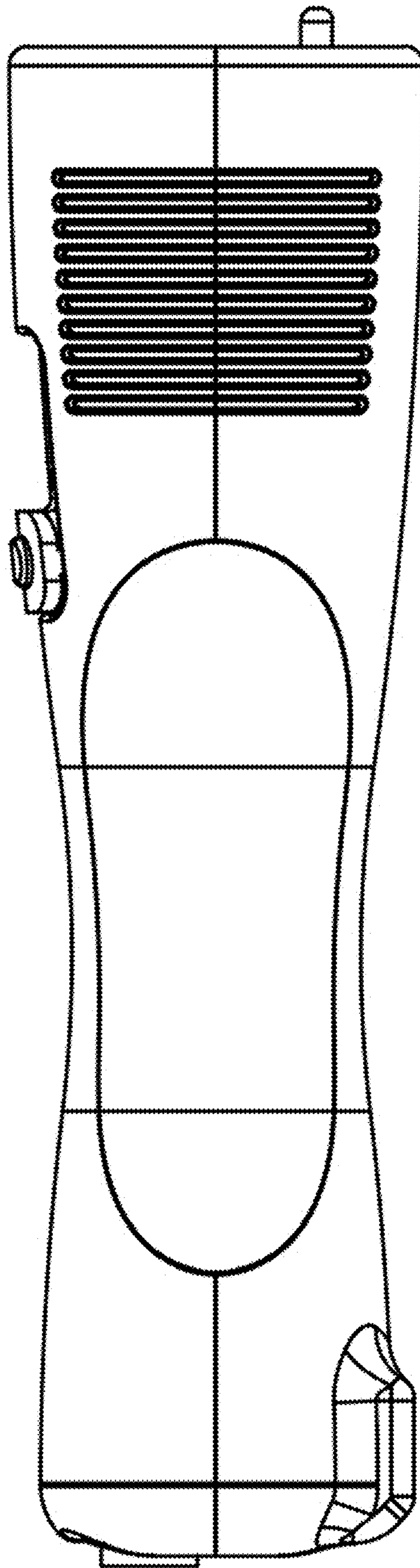


FIG.5

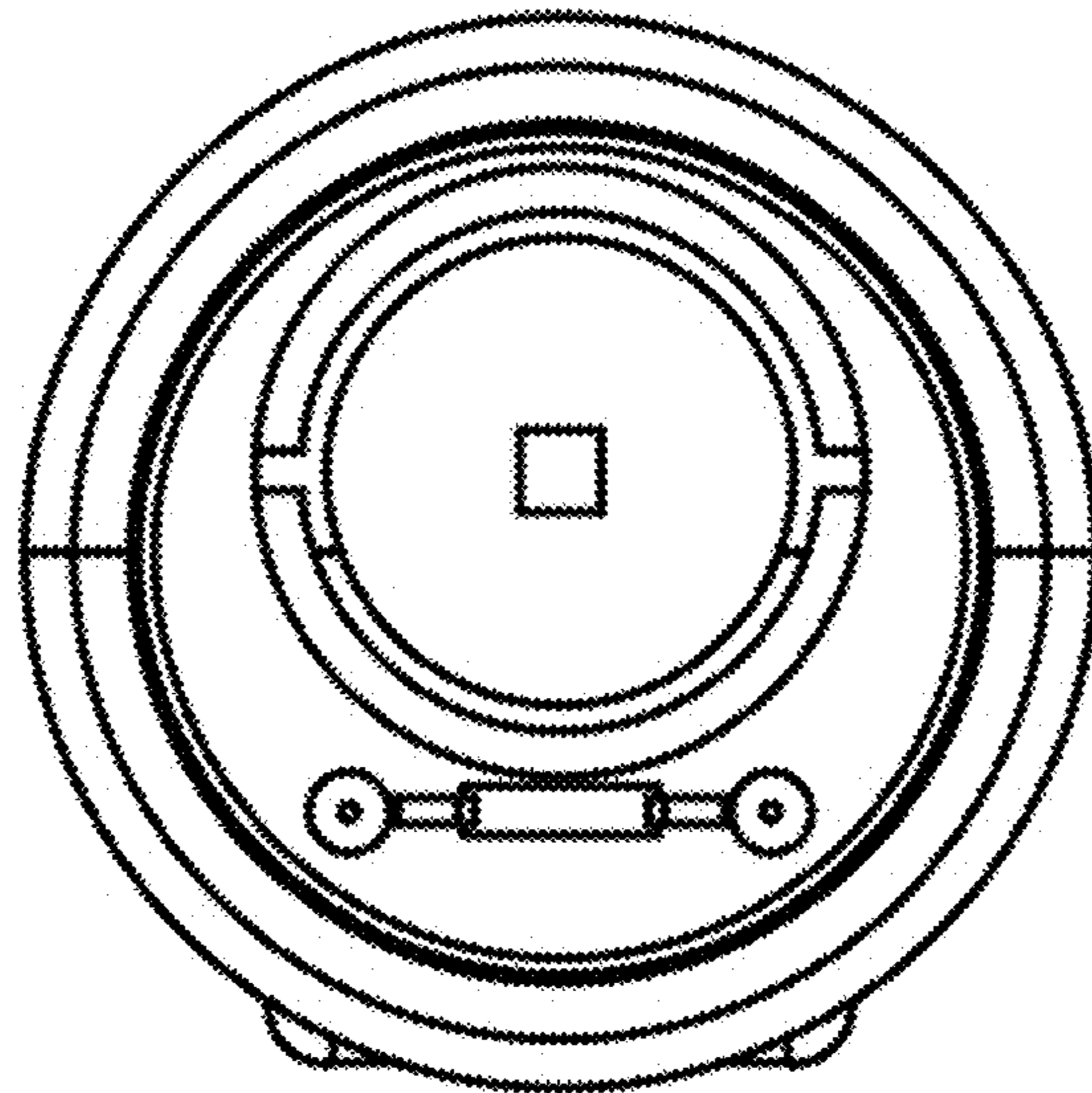


FIG.6

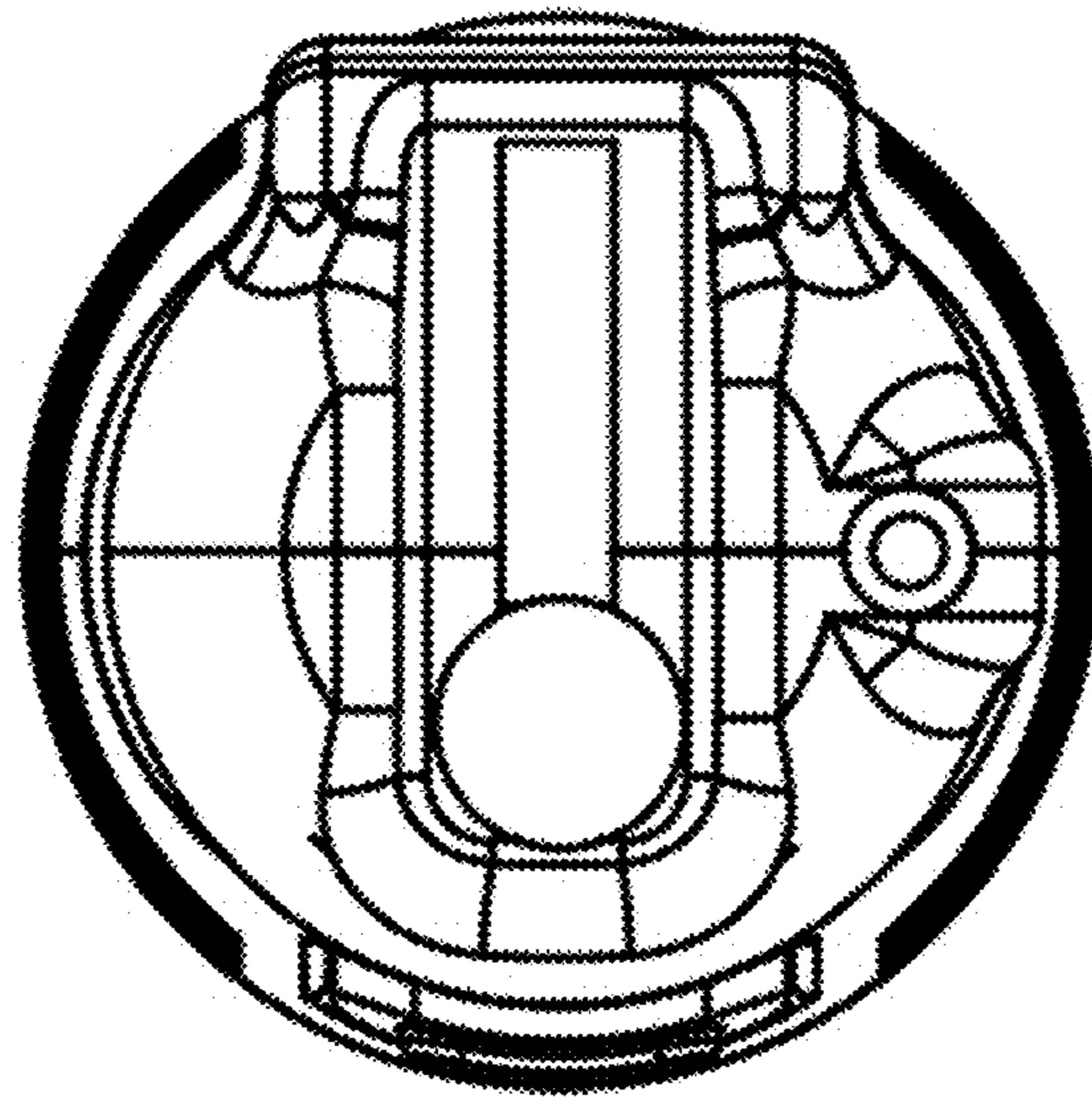


FIG. 7