



US00D874604S

(12) **United States Design Patent**
Gee

(10) **Patent No.:** **US D874,604 S**

(45) **Date of Patent:** **** Feb. 4, 2020**

(54) **SHOOTING TARGET SUPPORT**

DESCRIPTION

- (71) Applicant: **Patrick Gee**, Chino Hills, CA (US)
- (72) Inventor: **Patrick Gee**, Chino Hills, CA (US)
- (**) Term: **15 Years**
- (21) Appl. No.: **29/627,567**
- (22) Filed: **Nov. 28, 2017**
- (51) **LOC (12) Cl.** **22-04**
- (52) **U.S. Cl.**
USPC **D22/113**
- (58) **Field of Classification Search**
USPC D22/100, 101, 103, 104, 105, 107, 108,
D22/109, 110, 111, 113, 199; D21/567,
(Continued)

FIG. 1 is a top and front perspective view of a shooting target support of my design showing four extensions in a first extended position.
 FIG. 2 is a top view thereof.
 FIG. 3 is a top and front perspective view of a shooting target support of my design showing four extensions in a extensions closed position.
 FIG. 4 is a top and rear perspective view thereof.
 FIG. 5 is a top view thereof.
 FIG. 6 is a bottom view thereof.
 FIG. 7 is a right side view thereof.
 FIG. 8 is a left side view thereof.
 FIG. 9 is a rear view thereof.
 FIG. 10 is a front view thereof
 FIG. 11 is a top and front perspective view of a shooting target support of my design showing four extensions in a second extended position.
 FIG. 12 is a top view thereof.
 FIG. 13 is a top and front perspective view of a shooting target support of my design showing four extensions in a third extended position.
 FIG. 14 is a top view thereof.
 FIG. 15 is a top and front perspective view of a shooting target support of my design showing four extensions in a first extended position.
 FIG. 16 is a top view thereof.
 FIG. 17 is a top and front perspective view of a shooting target support of my design showing four extensions in a extensions closed position.
 FIG. 18 is a top and rear perspective view thereof.
 FIG. 19 is a top view thereof.
 FIG. 20 is a bottom view thereof.
 FIG. 21 is a right side view thereof.
 FIG. 22 is a left side view thereof.
 FIG. 23 is a rear view thereof.
 FIG. 24 is a front view thereof
 FIG. 25 is a top and front perspective view of a shooting target support of my design showing four extensions in a second extended position.
 FIG. 26 is a top view thereof.
 FIG. 27 is a top and front perspective view of a shooting target support of my design showing four extensions in a third extended position; and,
 FIG. 28 is a top view thereof.

(56) **References Cited**

U.S. PATENT DOCUMENTS

- 2,372,111 A 3/1945 Norberg
 - 5,067,683 A 11/1991 Wagner
- (Continued)

OTHER PUBLICATIONS

“U.S. Ballistics 2-in-1 Adjustable Steel Target Stand” [online]. midwayusa.com. [Retrieved on Sep. 8, 2019]. Retrieved from the Internet: <https://www.midwayusa.com/product/1019367312?pid=693318>.*

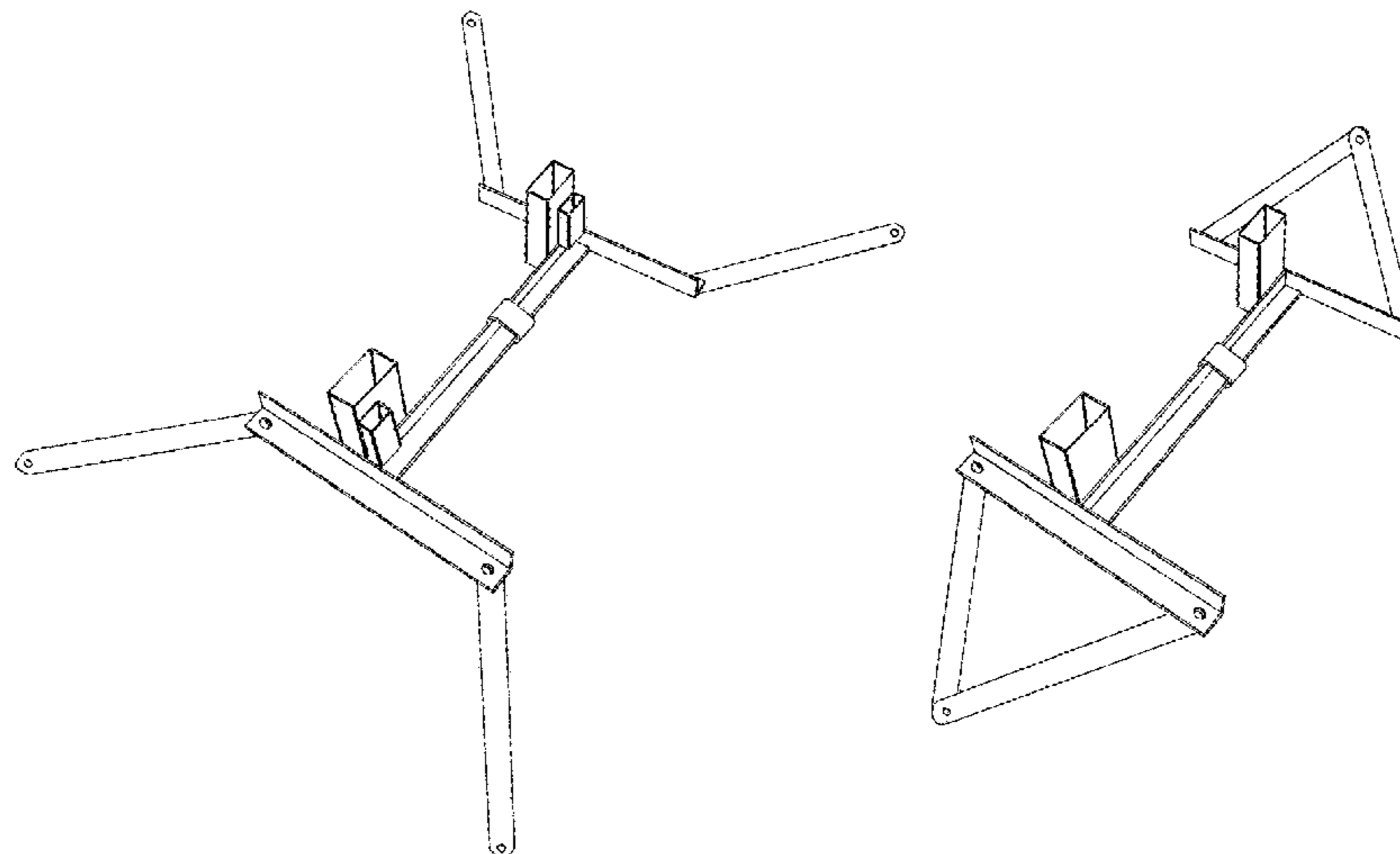
(Continued)

Primary Examiner — Khawaja Anwar
Assistant Examiner — Mojtaba Tehrani
 (74) *Attorney, Agent, or Firm* — Alford Law Group, Inc.;
 William E. Alford; David T. Bracken

(57) **CLAIM**

The ornamental design for a shooting target support, as shown and described.

1 Claim, 14 Drawing Sheets



US D874,604 S

Page 2

(58) **Field of Classification Search**

USPC D21/569, 570, 571, 573, 574, 575;
D6/552, 708.16

CPC F41G 1/30; F41G 3/26; F42B 5/28; F41C
23/16; F41A 23/16; F41A 23/18; F41A
9/83; F41A 33/00

See application file for complete search history.

D719,239 S * 12/2014 Woller D22/199
D752,173 S * 3/2016 Linder D22/113
D773,006 S * 11/2016 Stark D22/113
D773,007 S * 11/2016 Stark D22/113
D815,241 S * 4/2018 Woller D22/113
D841,760 S * 2/2019 Schwend D22/113
2011/0127723 A1 6/2011 Haynes
2013/0328268 A1* 12/2013 Eggiman F41J 5/205
273/378
2015/0292842 A1 10/2015 Pixton

(56) **References Cited**

U.S. PATENT DOCUMENTS

5,277,432 A 1/1994 Bateman
5,676,378 A * 10/1997 West F41J 1/10
273/390
D600,482 S * 9/2009 St. John D6/552
D624,770 S * 10/2010 St. John D6/552
D648,818 S 11/2011 Zalar
D672,169 S * 12/2012 Linder D6/708.16
D672,578 S * 12/2012 Linder D6/708.16

OTHER PUBLICATIONS

“Champion Center Mass Steel 2x4 Target Stand Base” [online].
midwayusa.com. [Retrieved on Sep. 8, 2019]. Retrieved from the
Internet: <https://www.midwayusa.com/product/101831409?pid=169731>.*

* cited by examiner

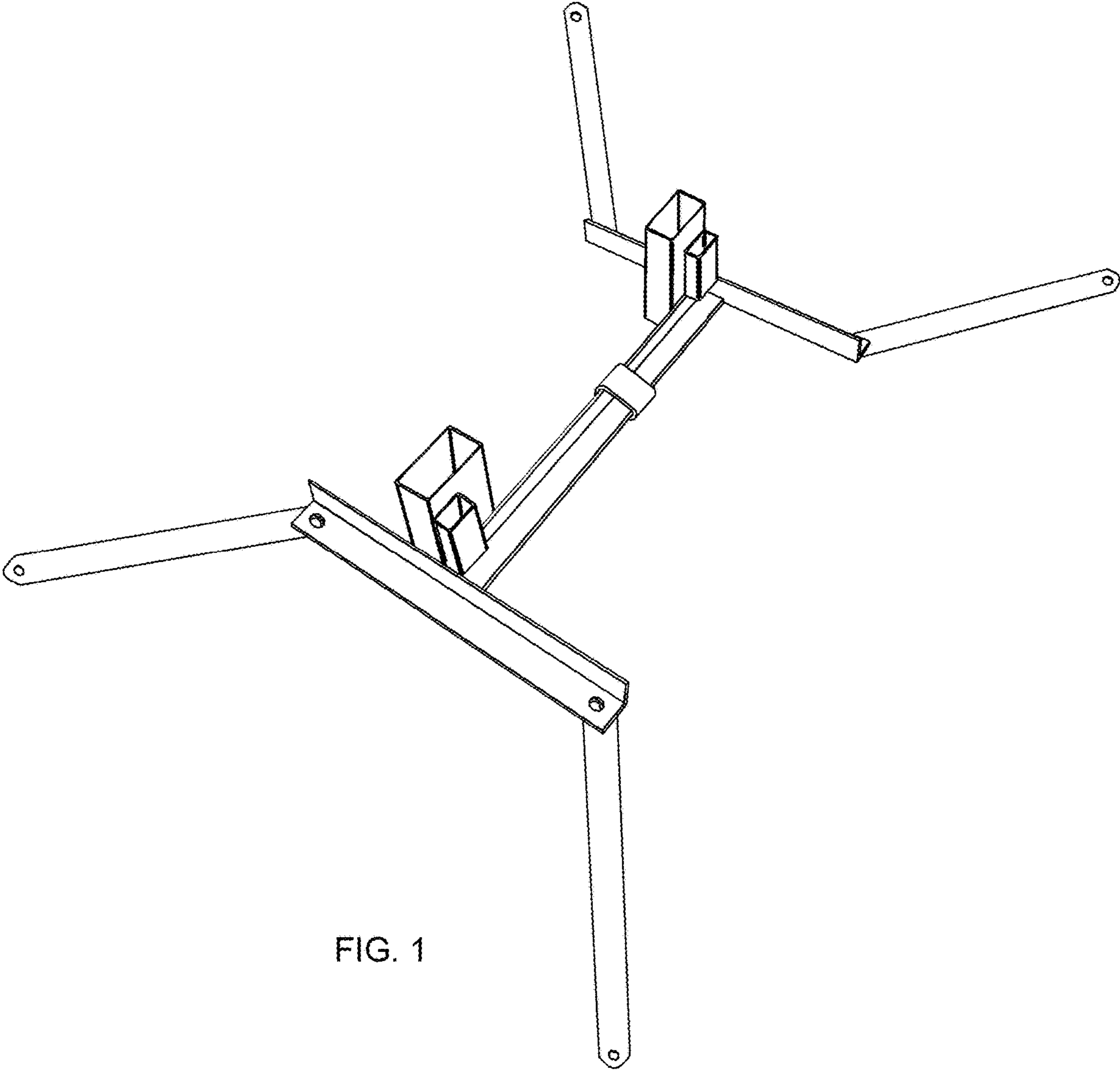


FIG. 1

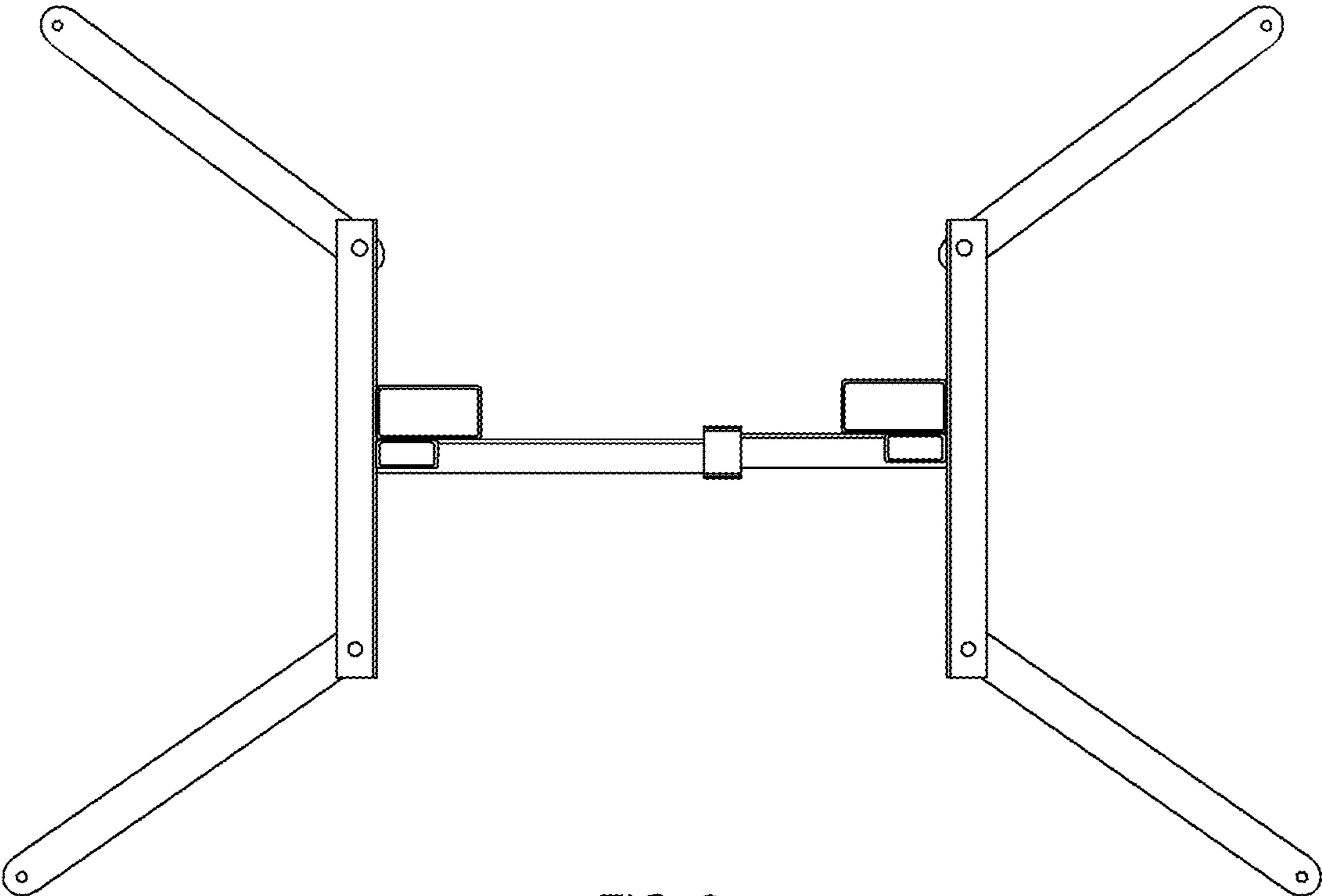


FIG. 2

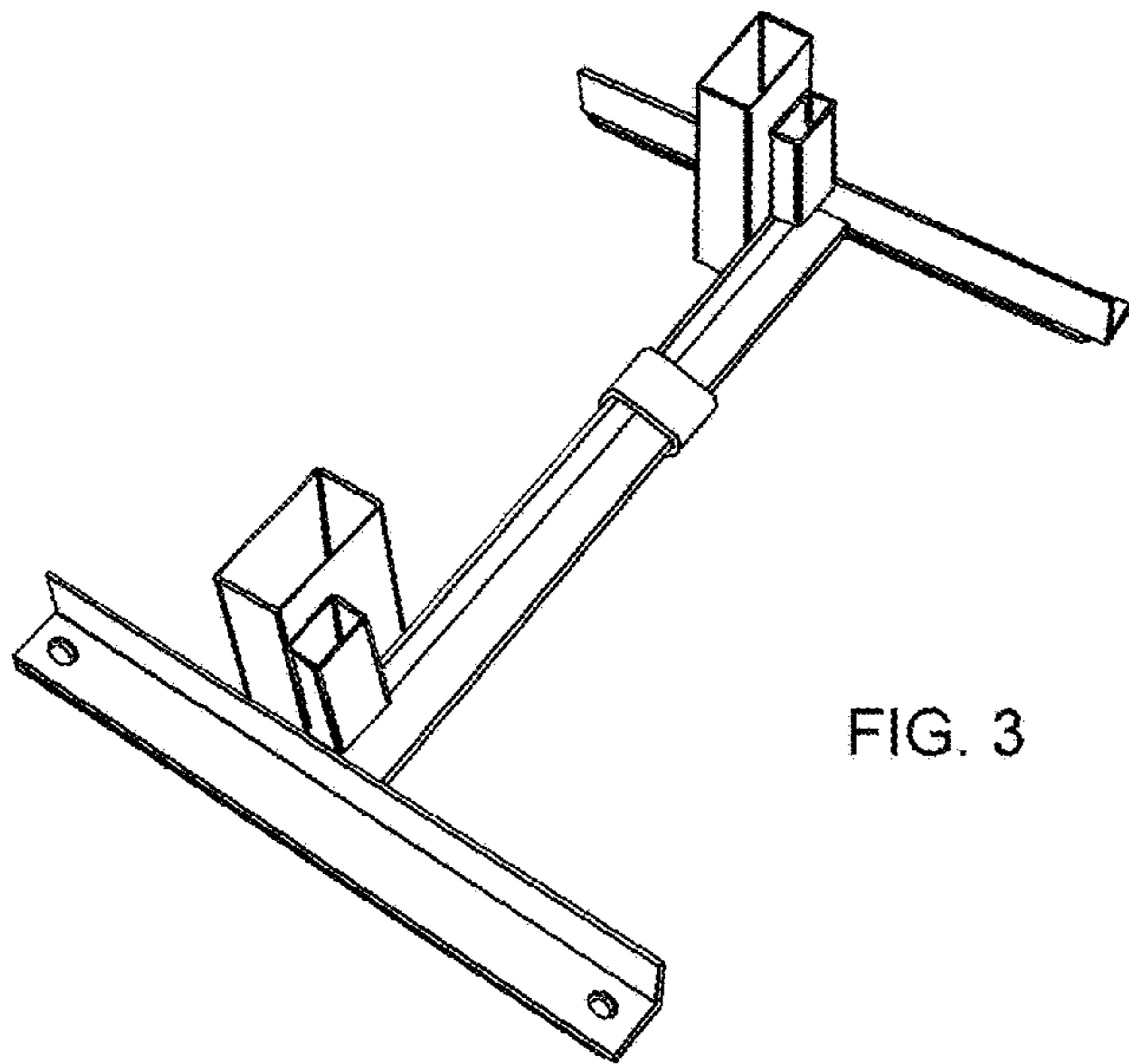


FIG. 3

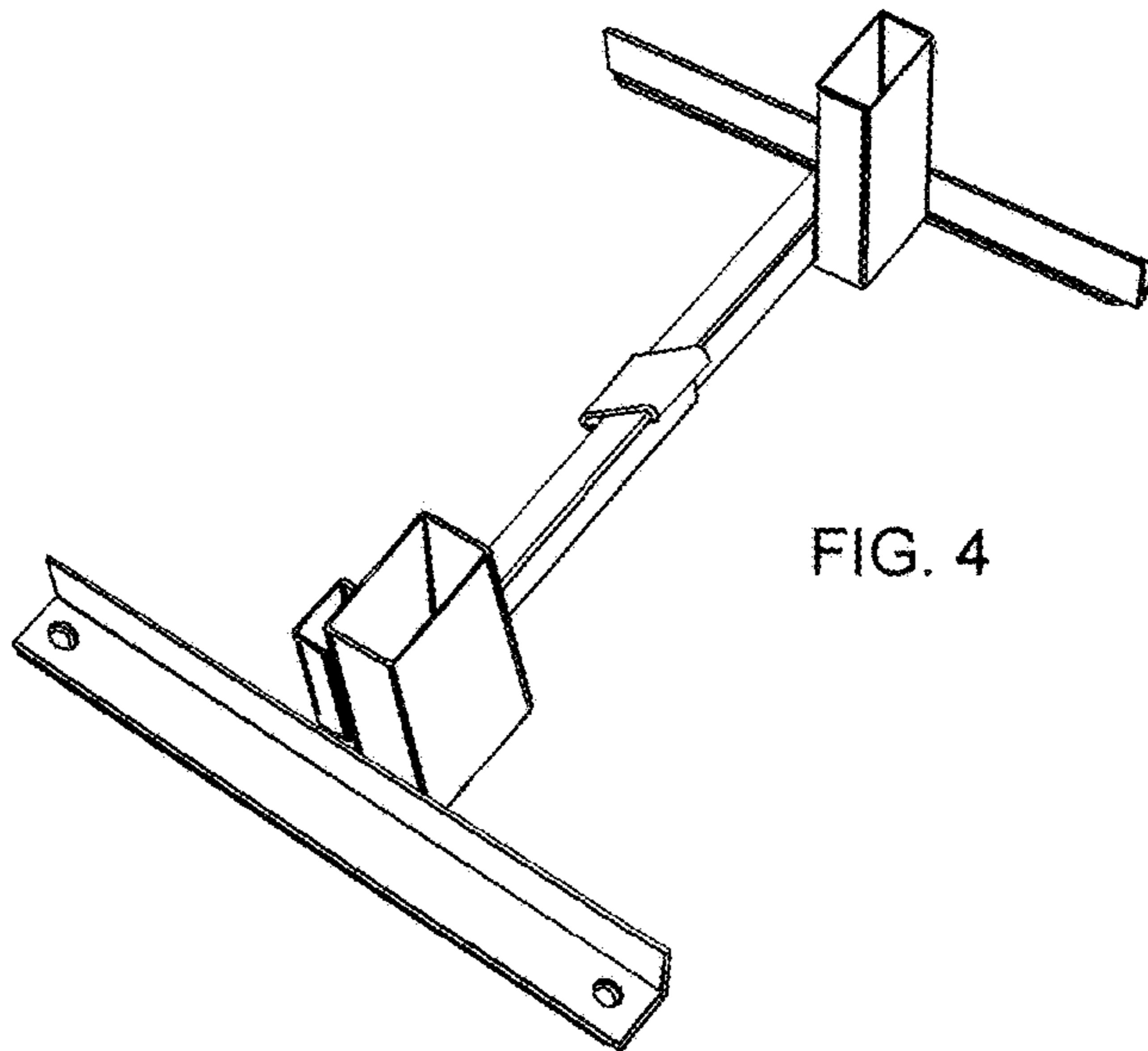


FIG. 4

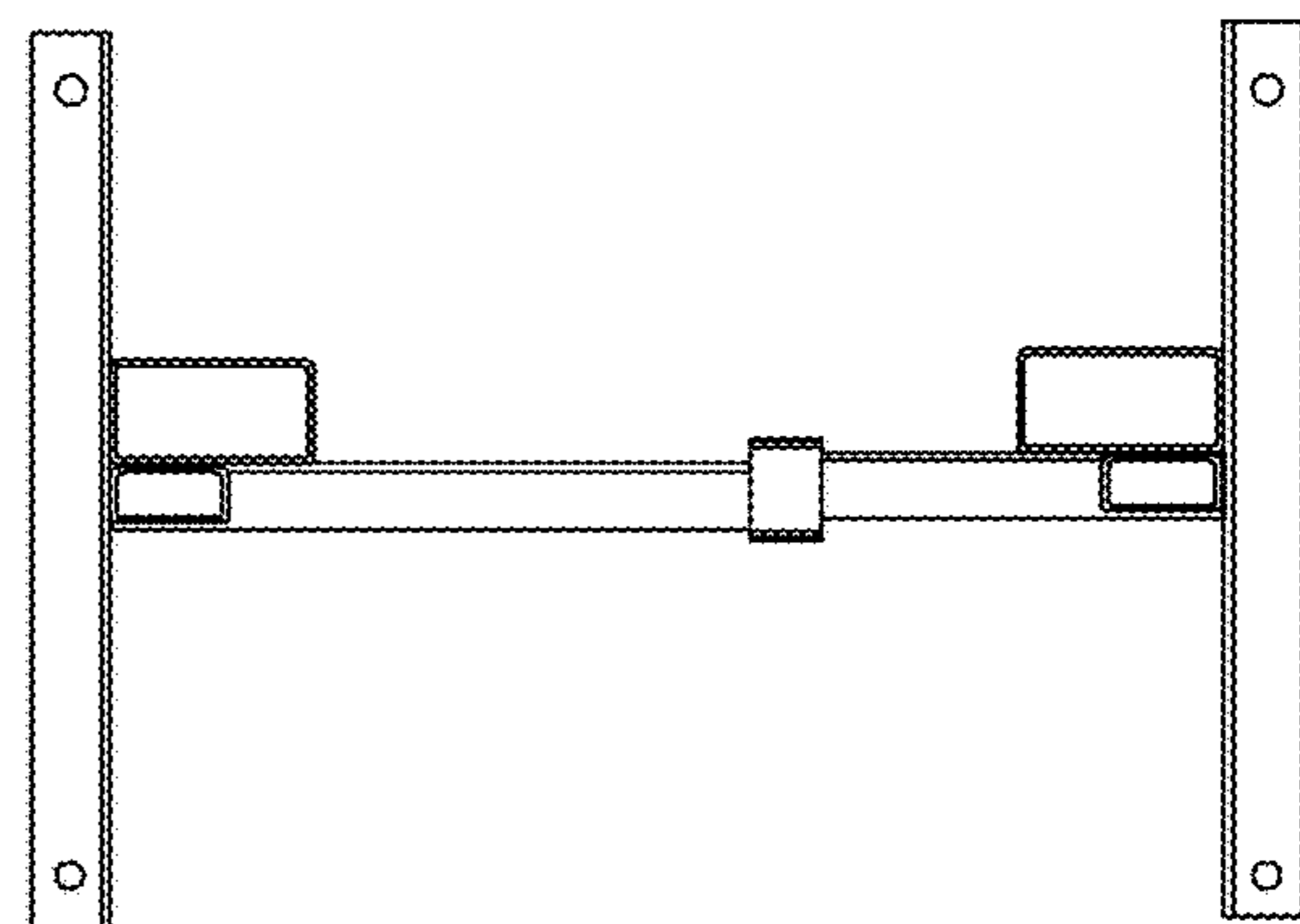


FIG. 5

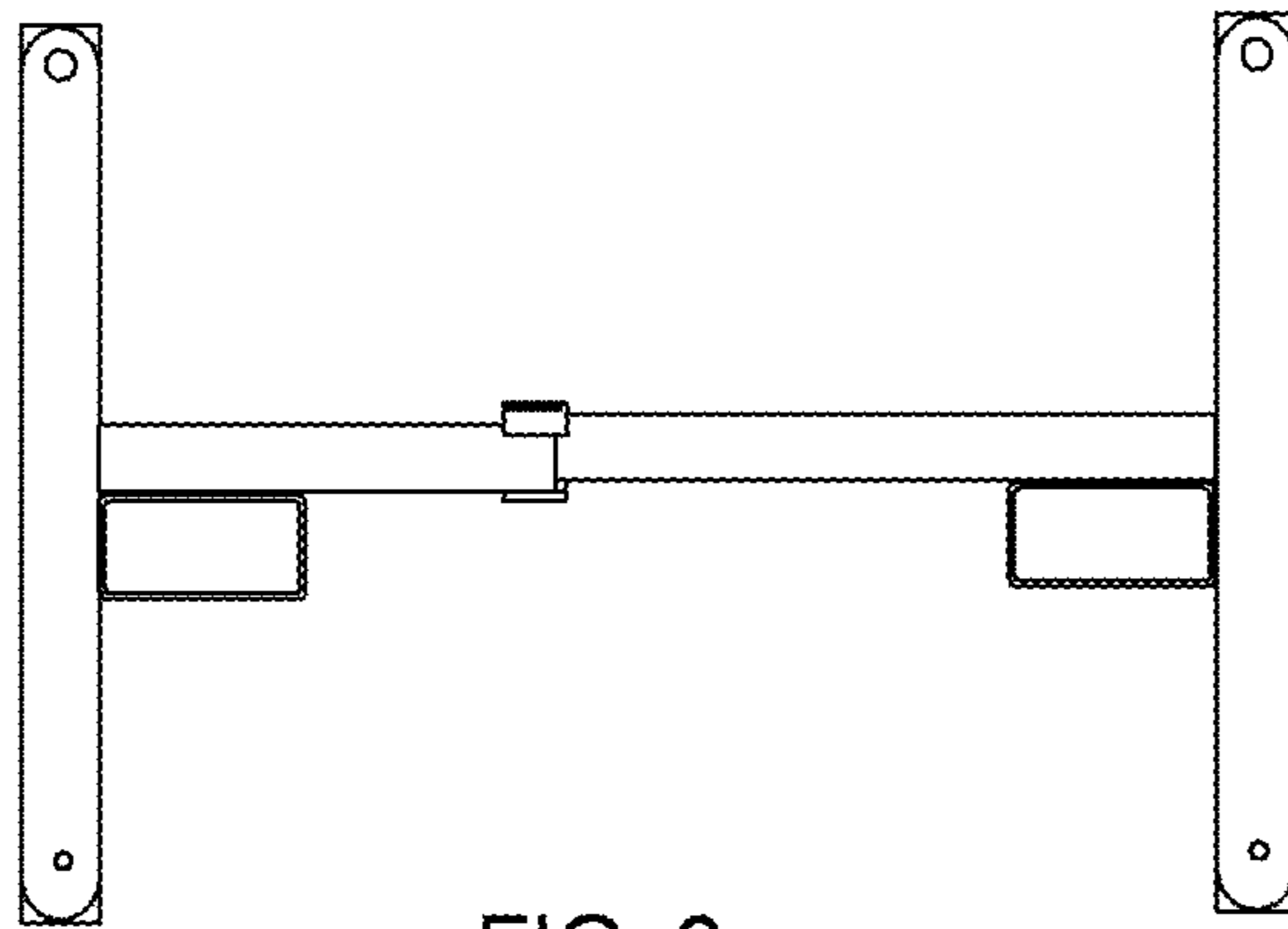


FIG. 6

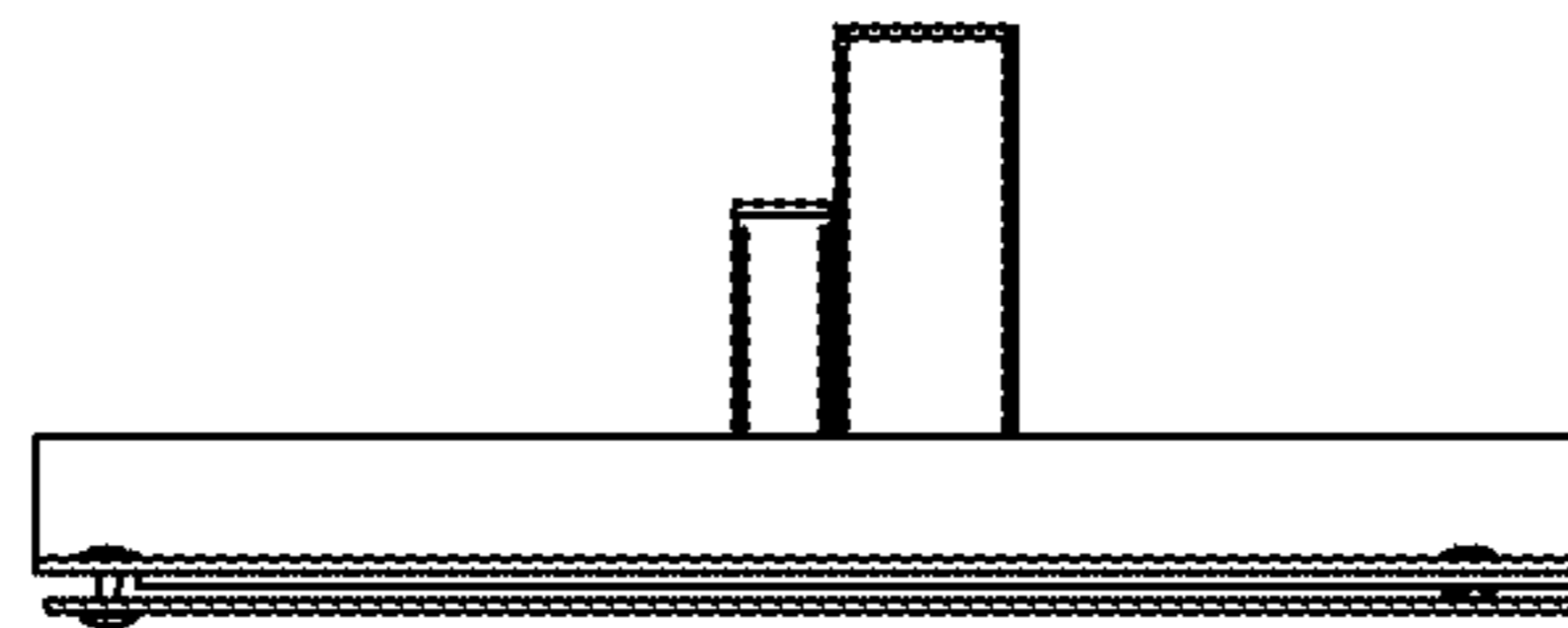


FIG. 7

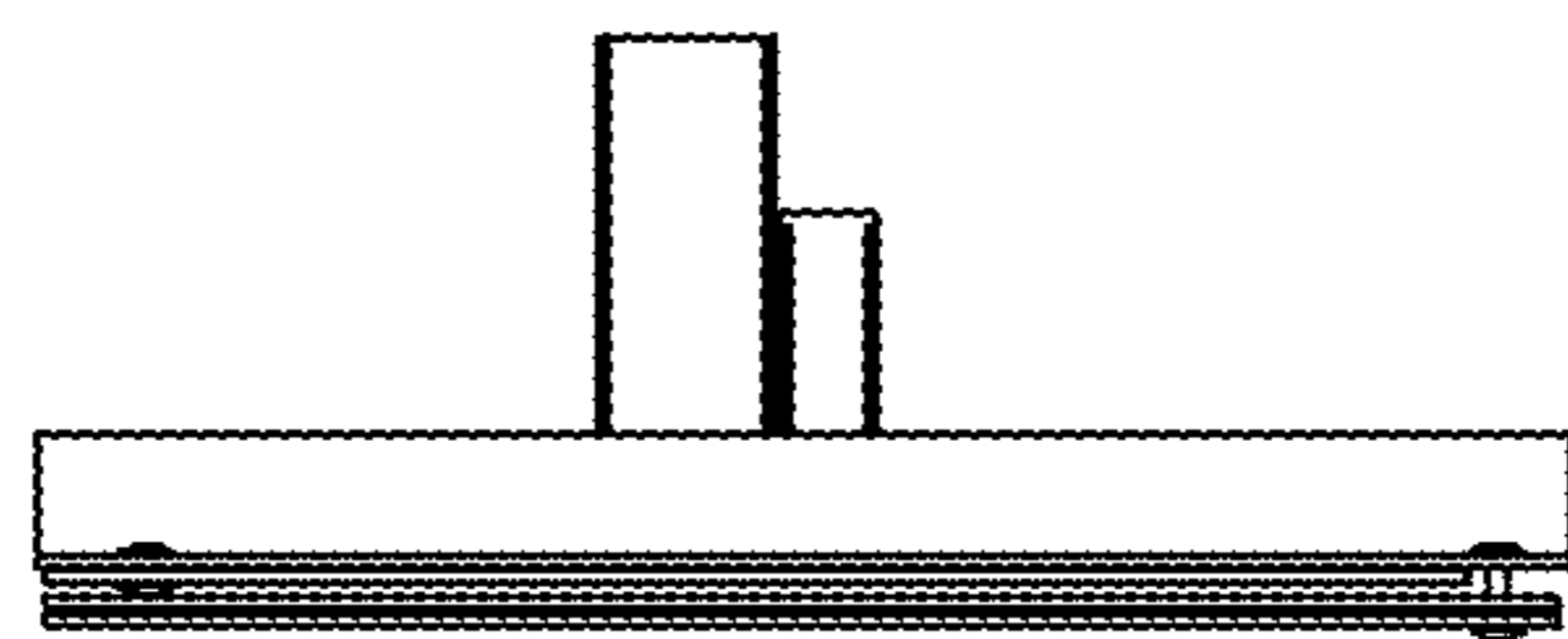


FIG. 8

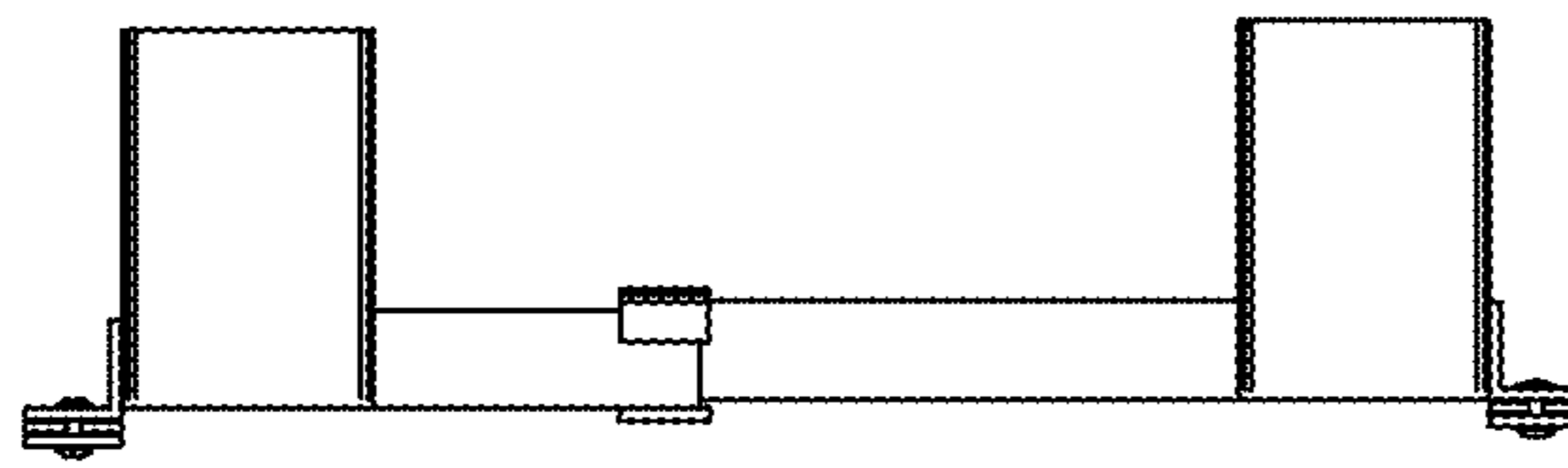


FIG. 9

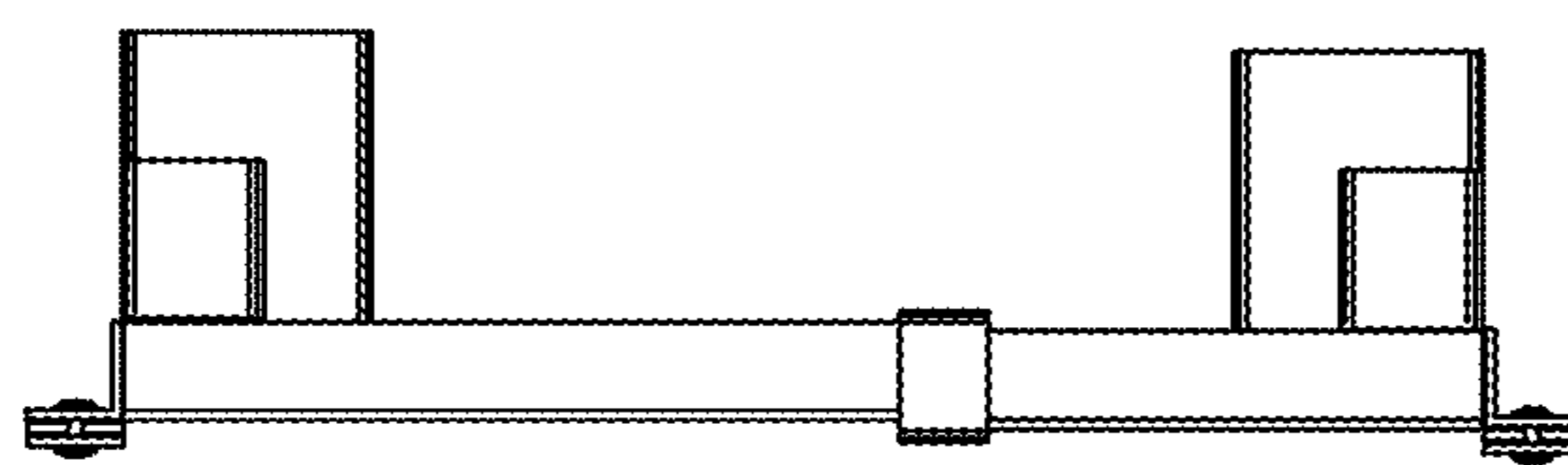


FIG. 10

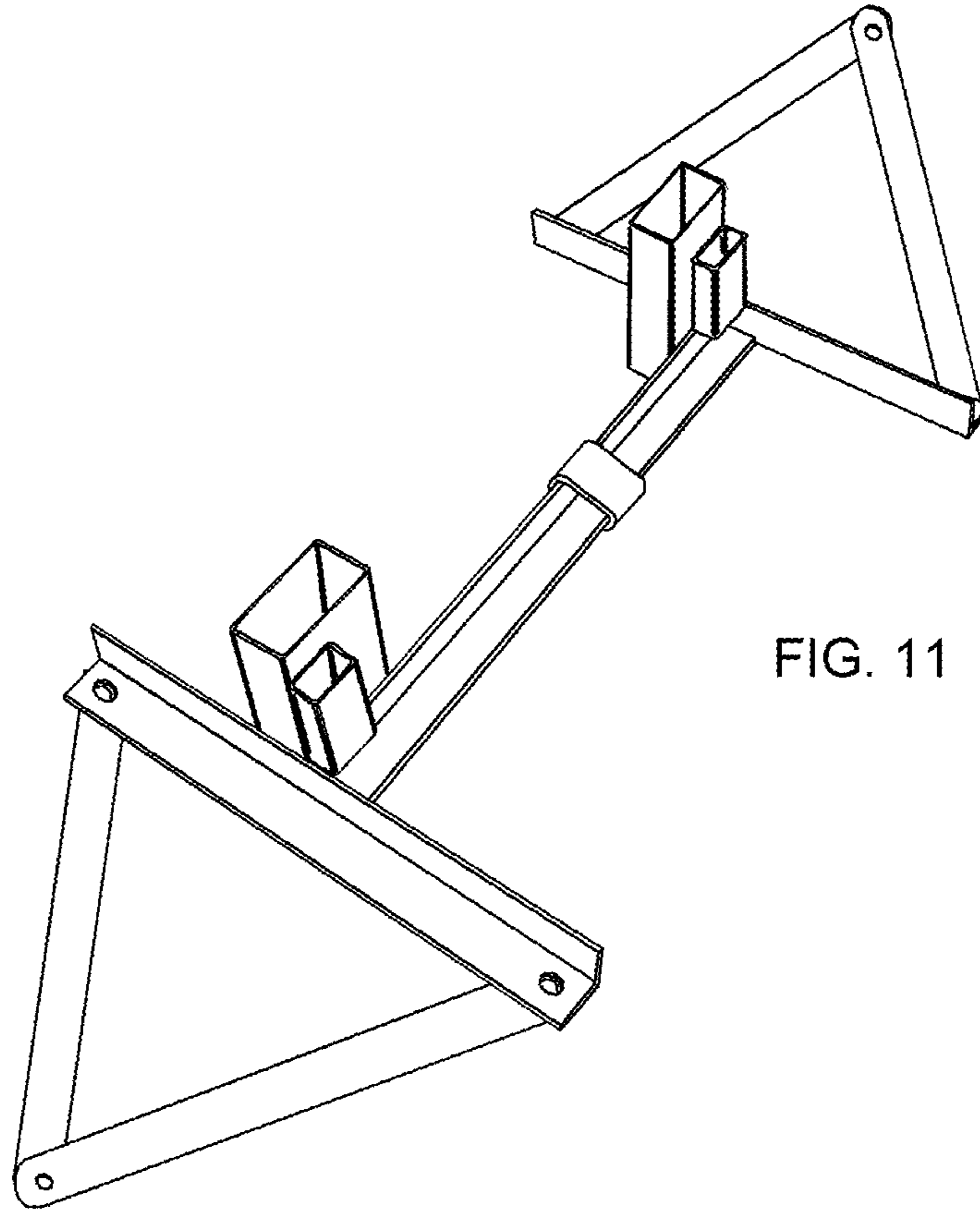


FIG. 11

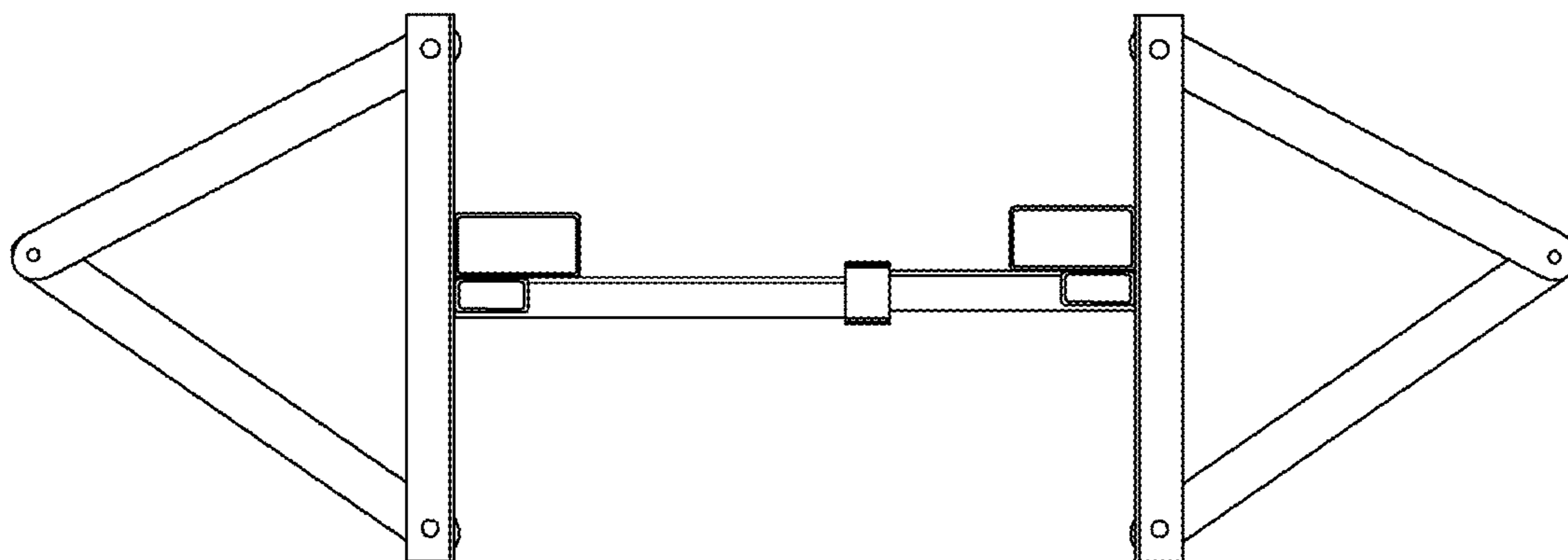


FIG. 12

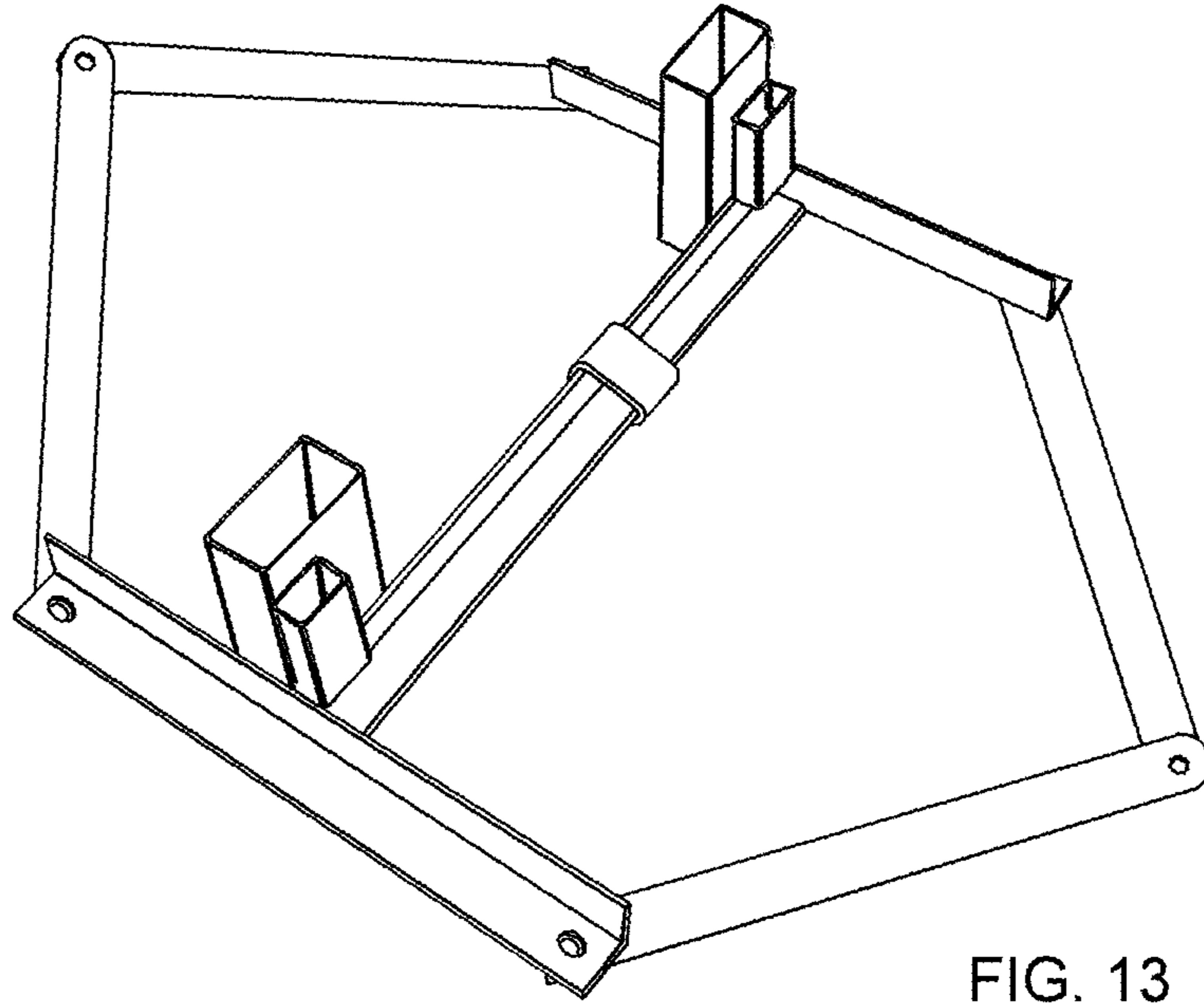


FIG. 13

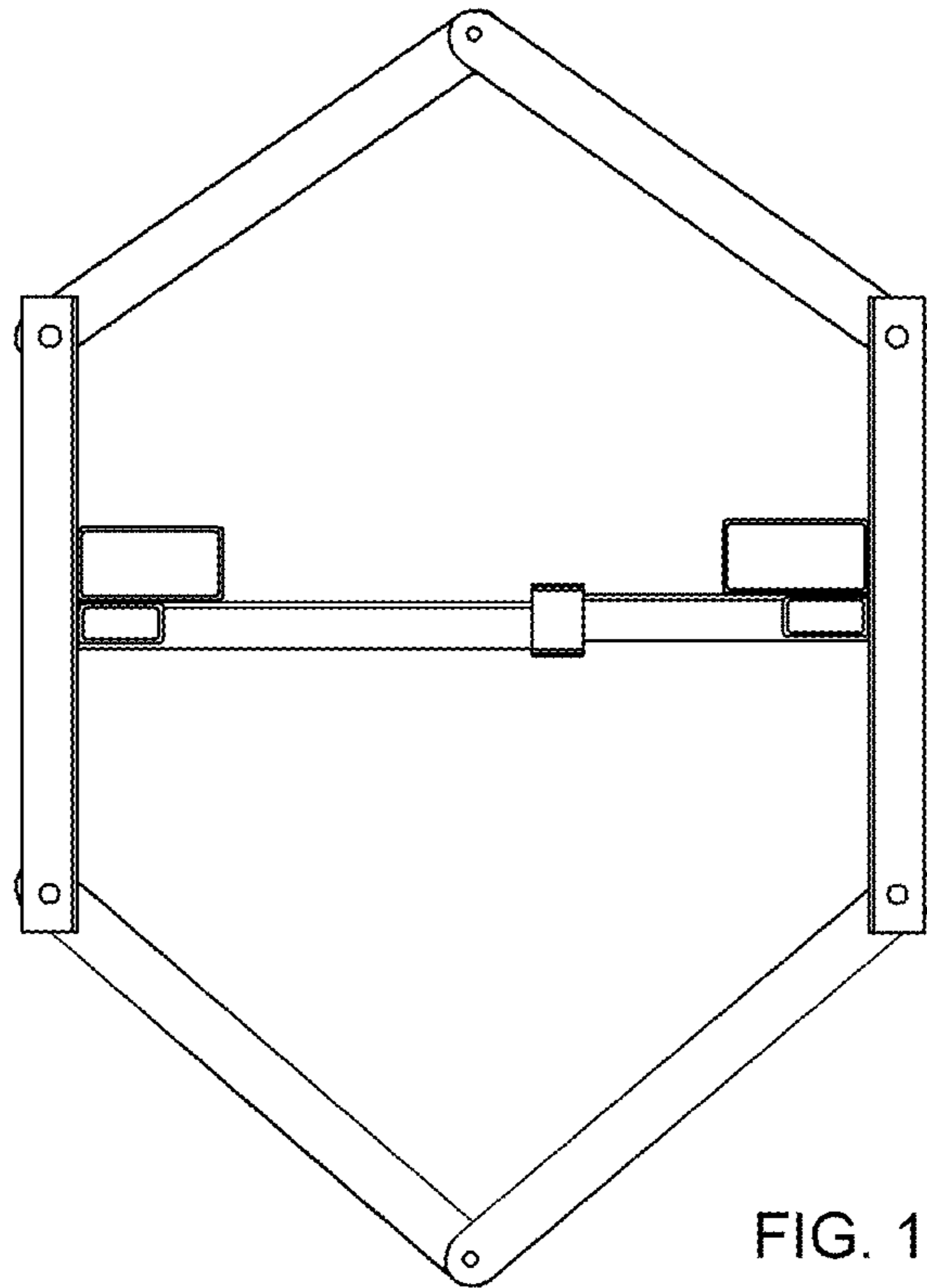


FIG. 14

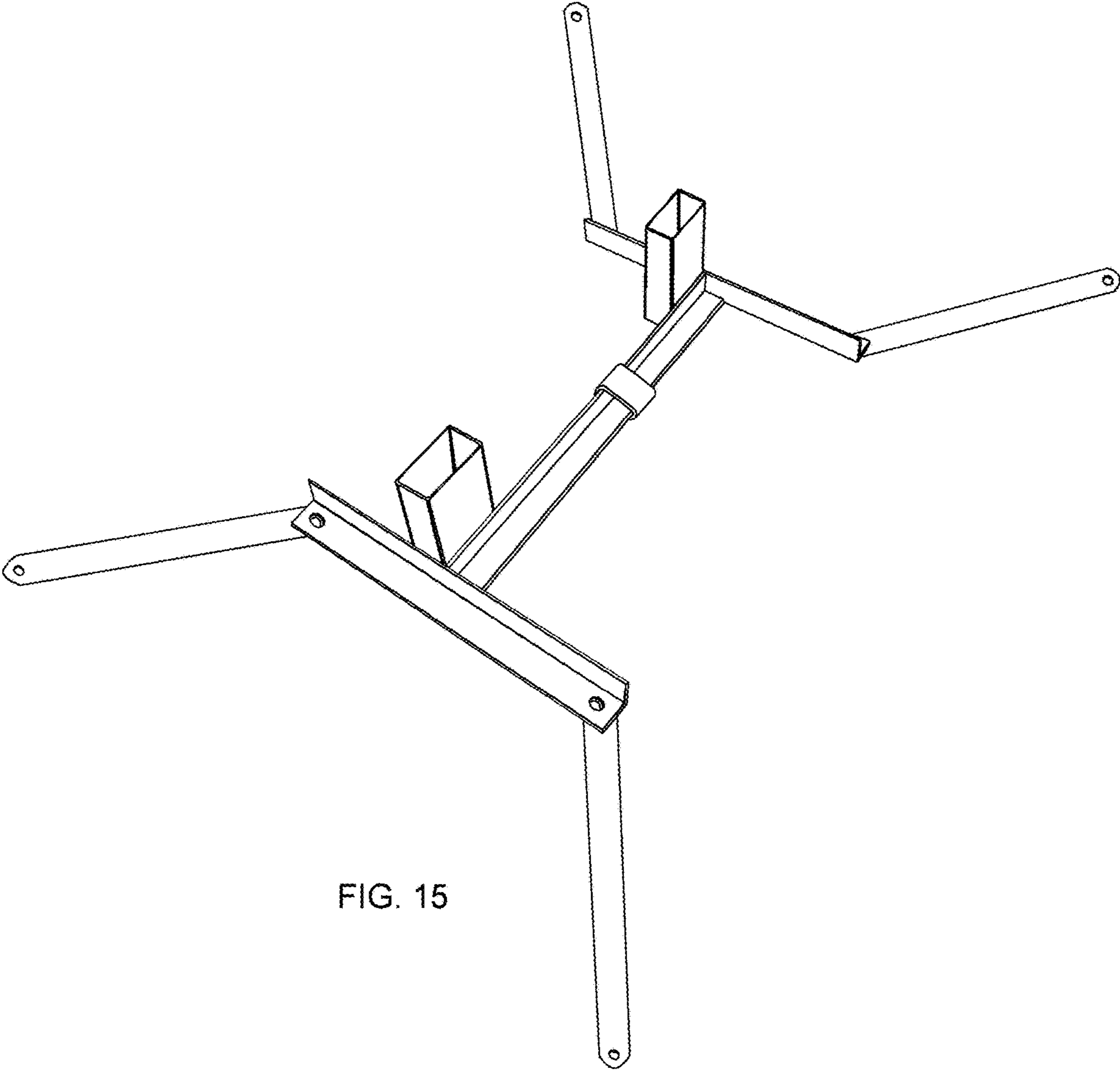


FIG. 15

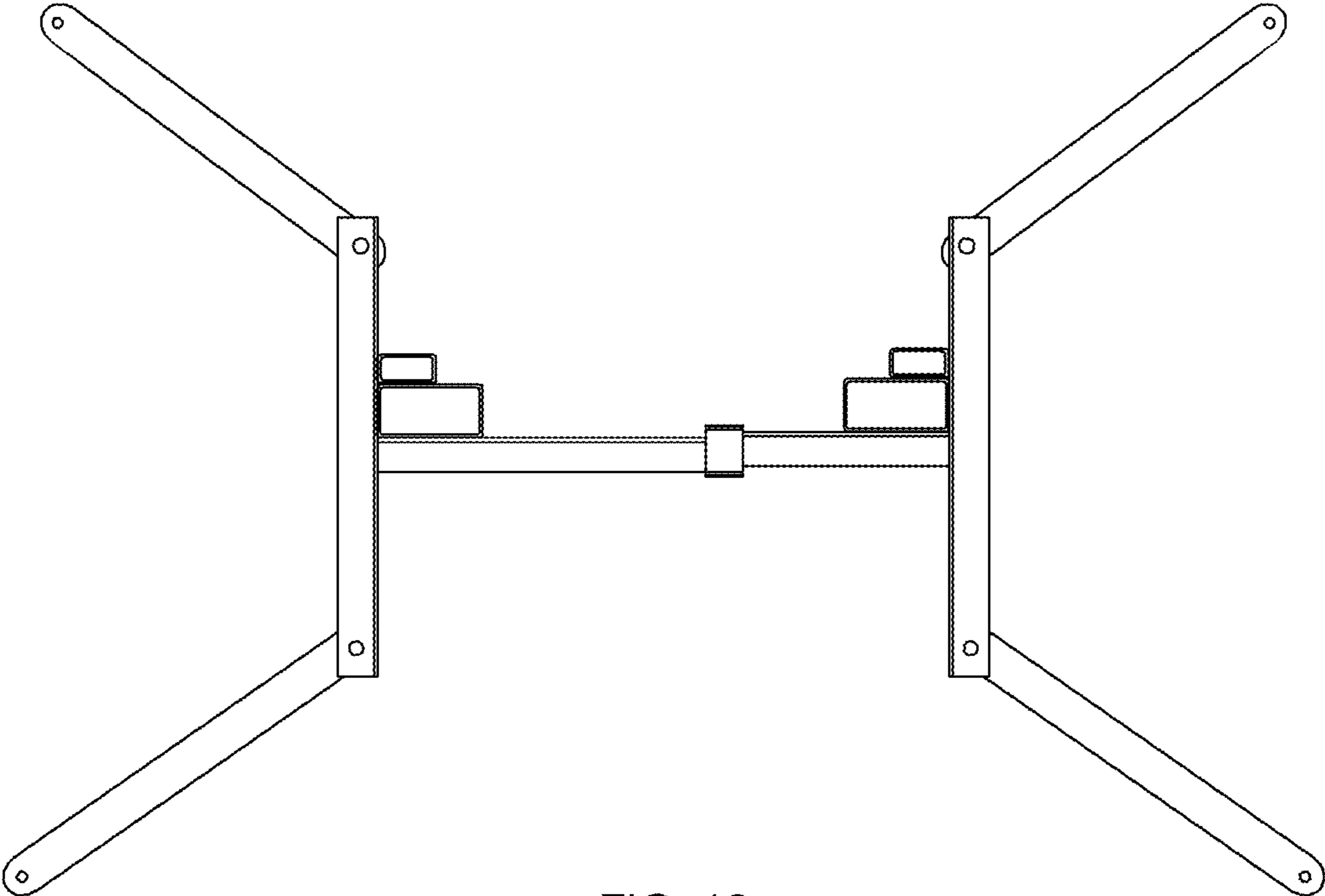


FIG. 16

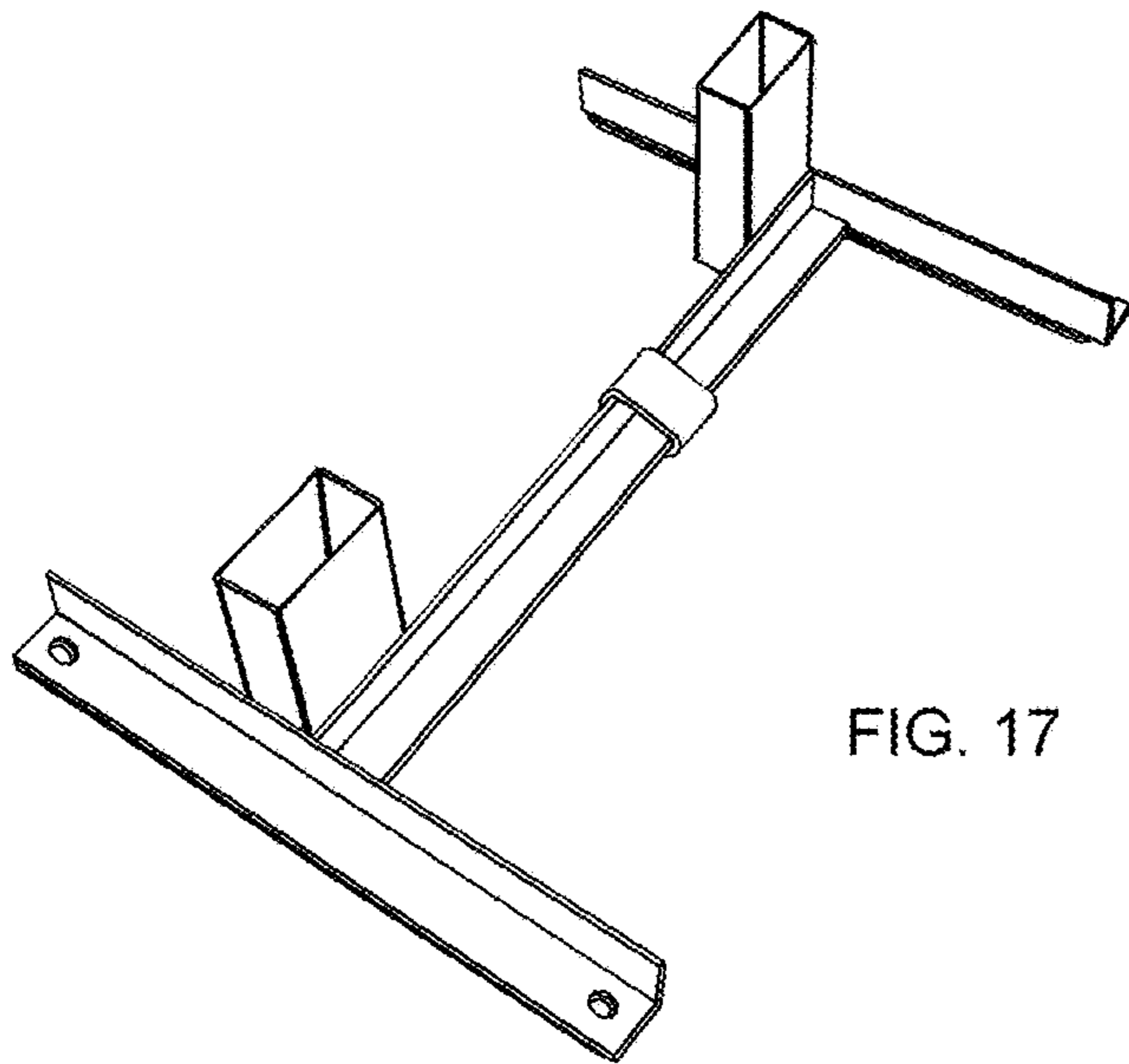


FIG. 17

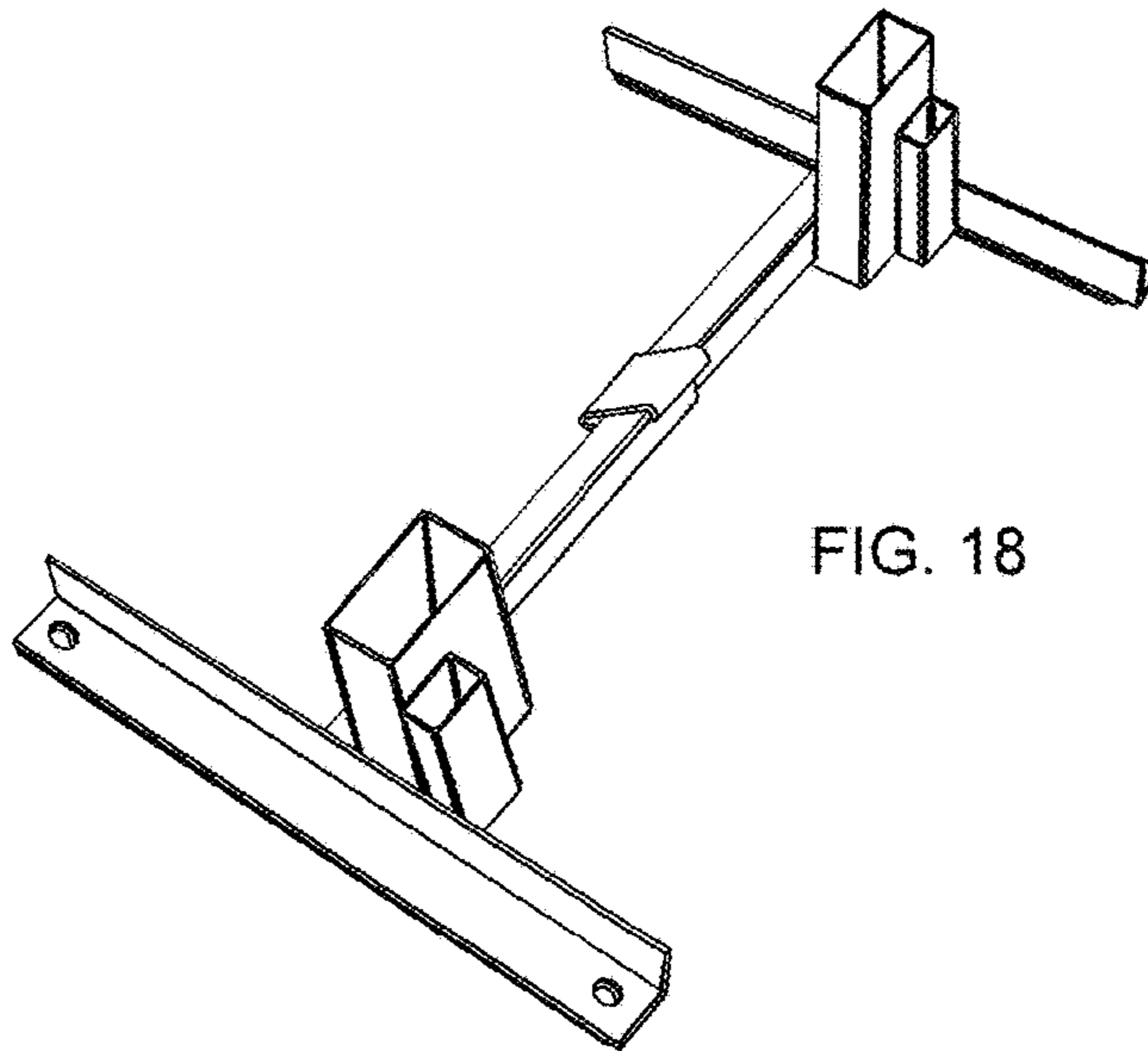


FIG. 18

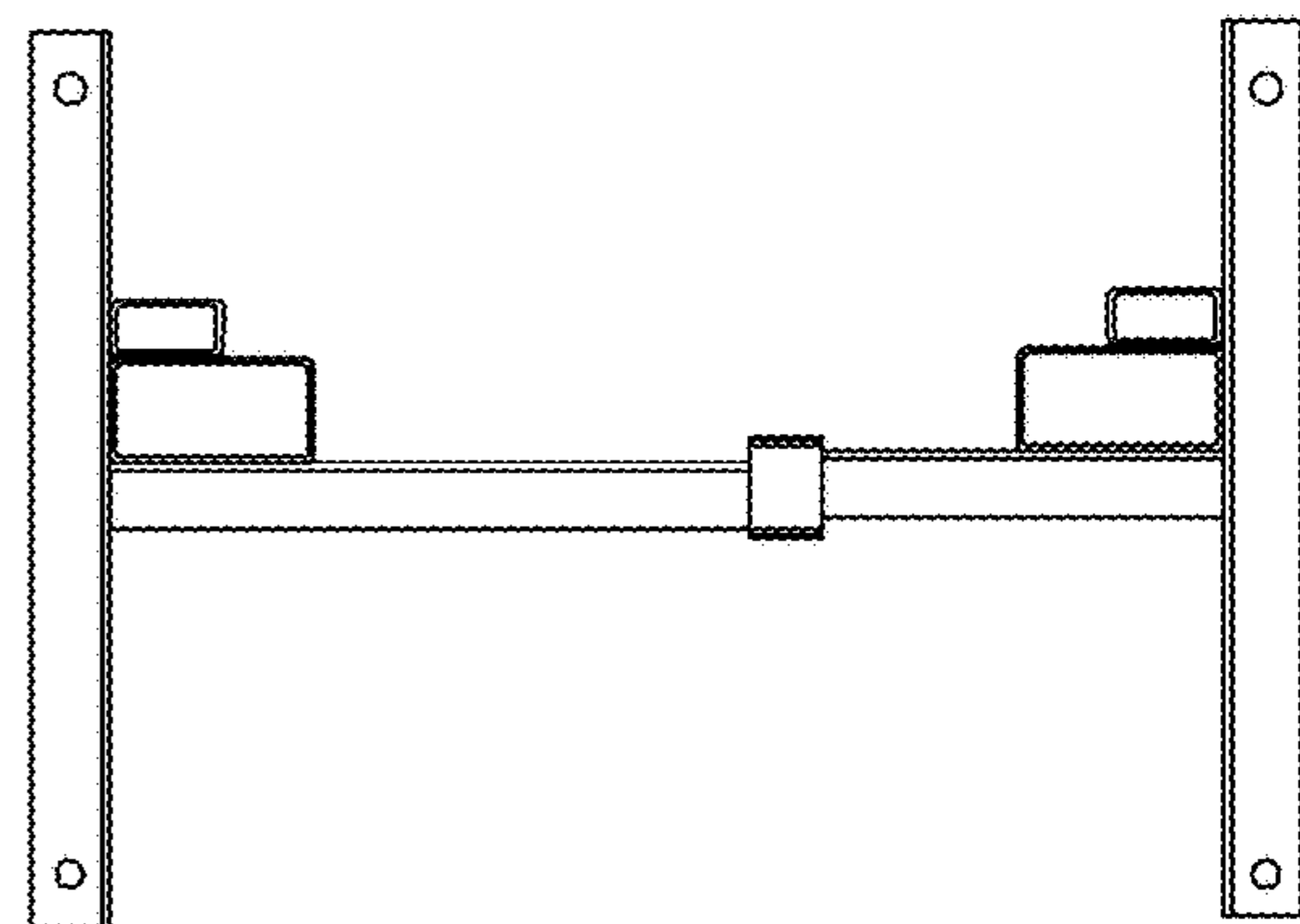


FIG. 19

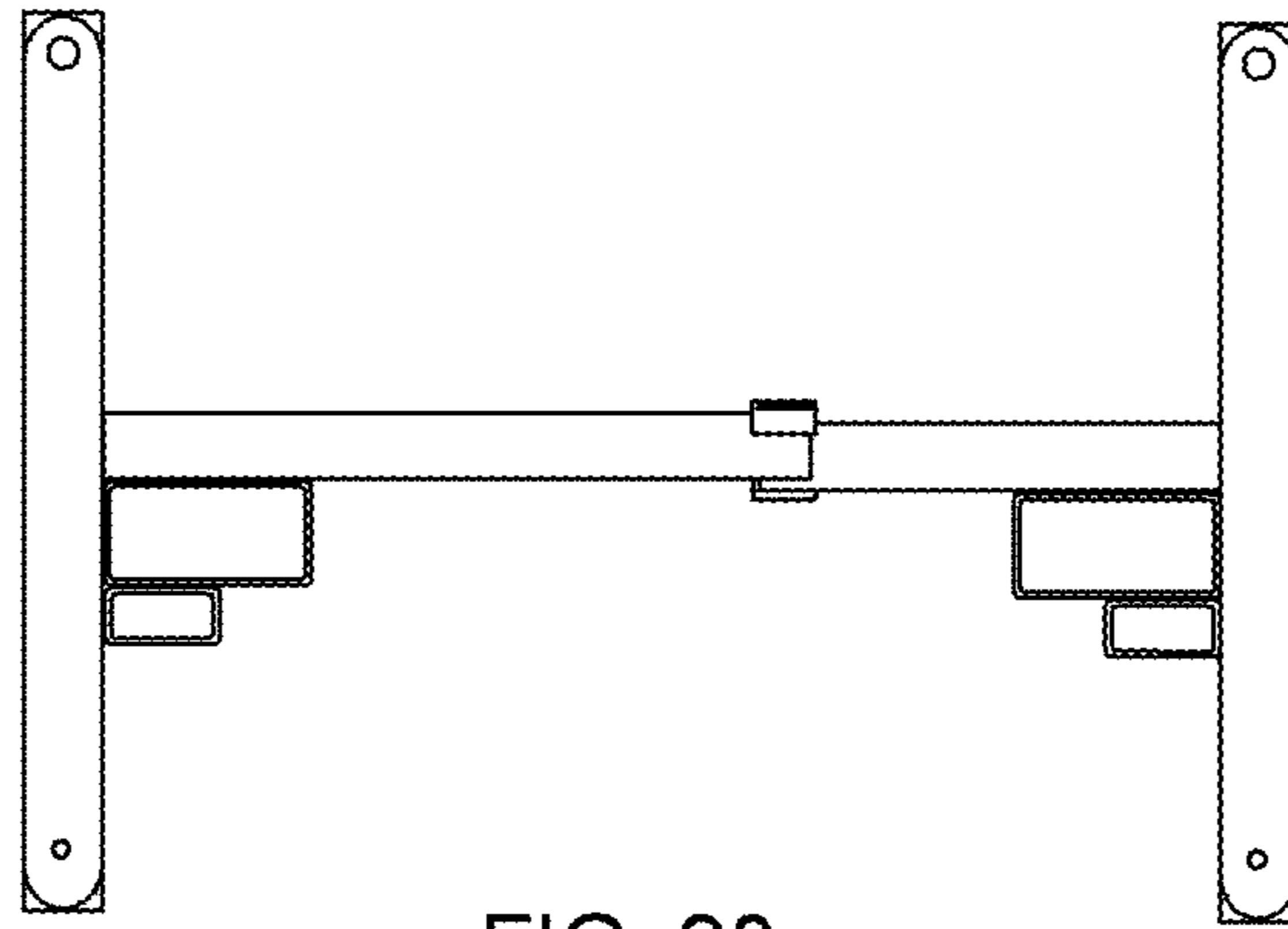


FIG. 20

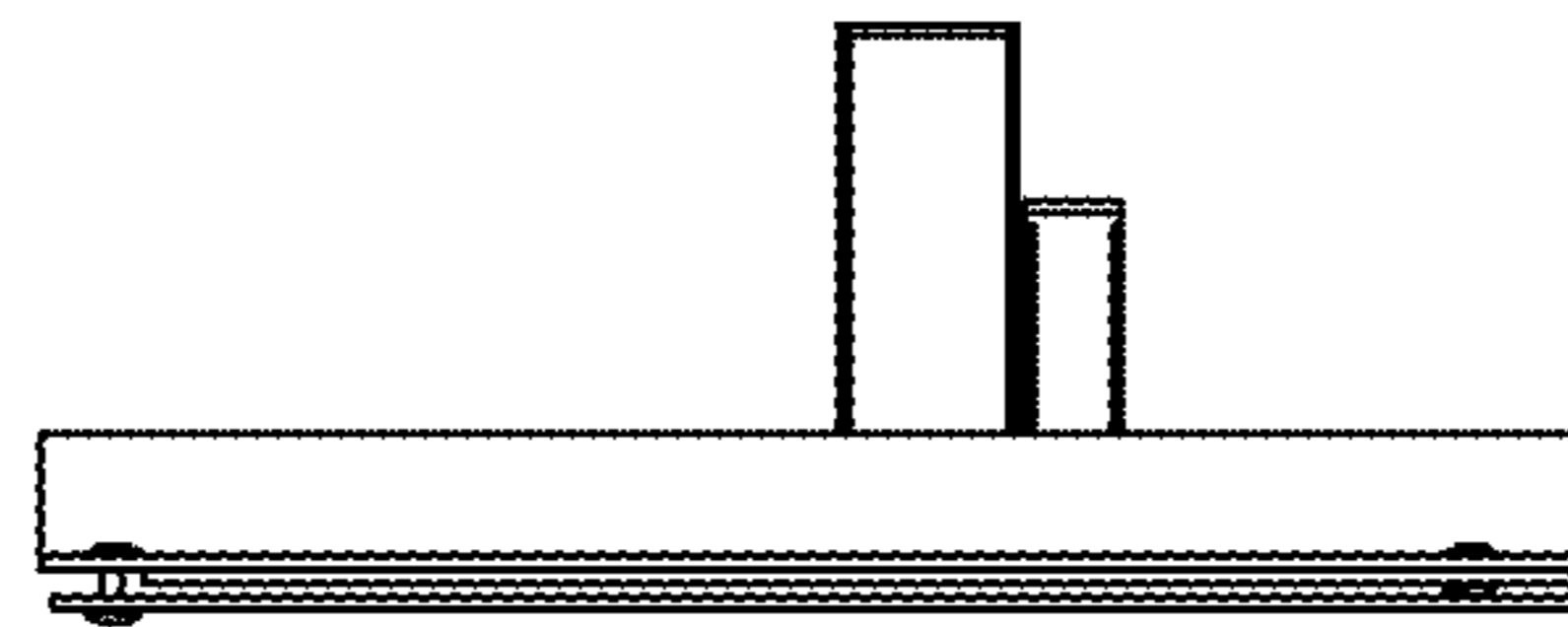


FIG. 21

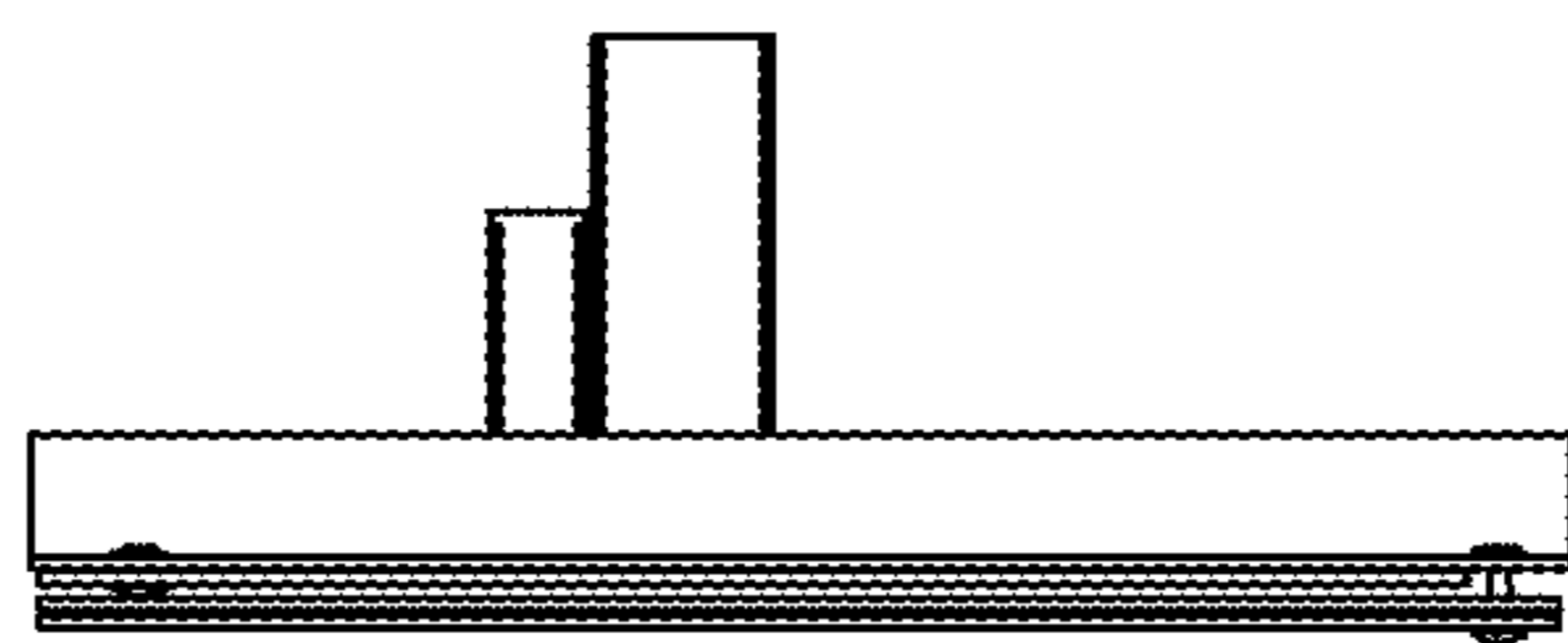


FIG. 22

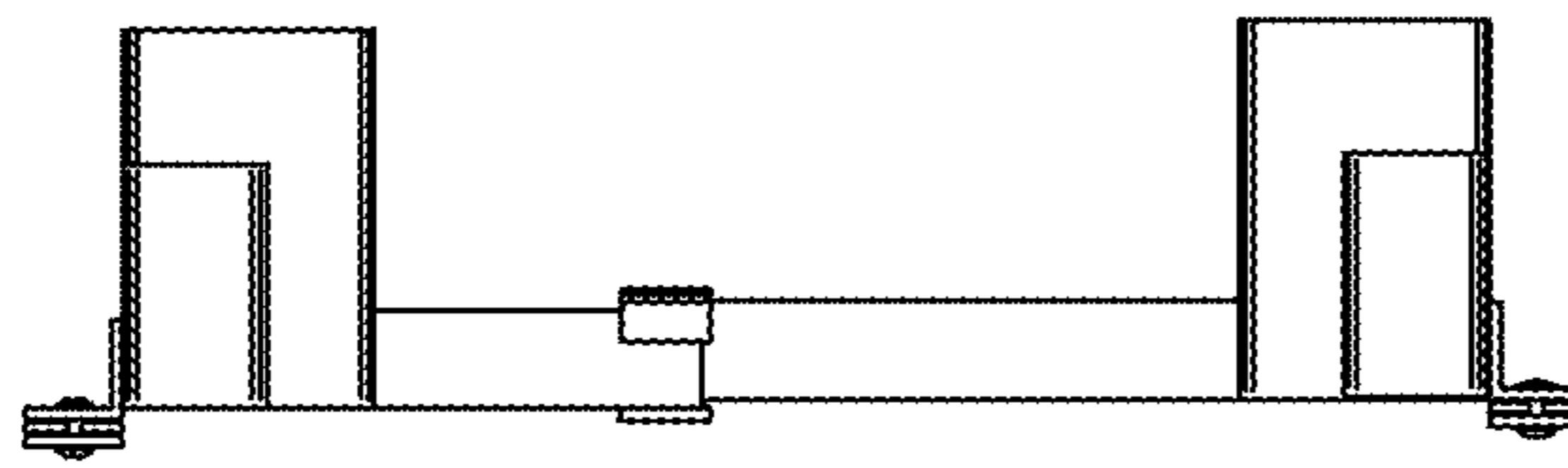


FIG. 23

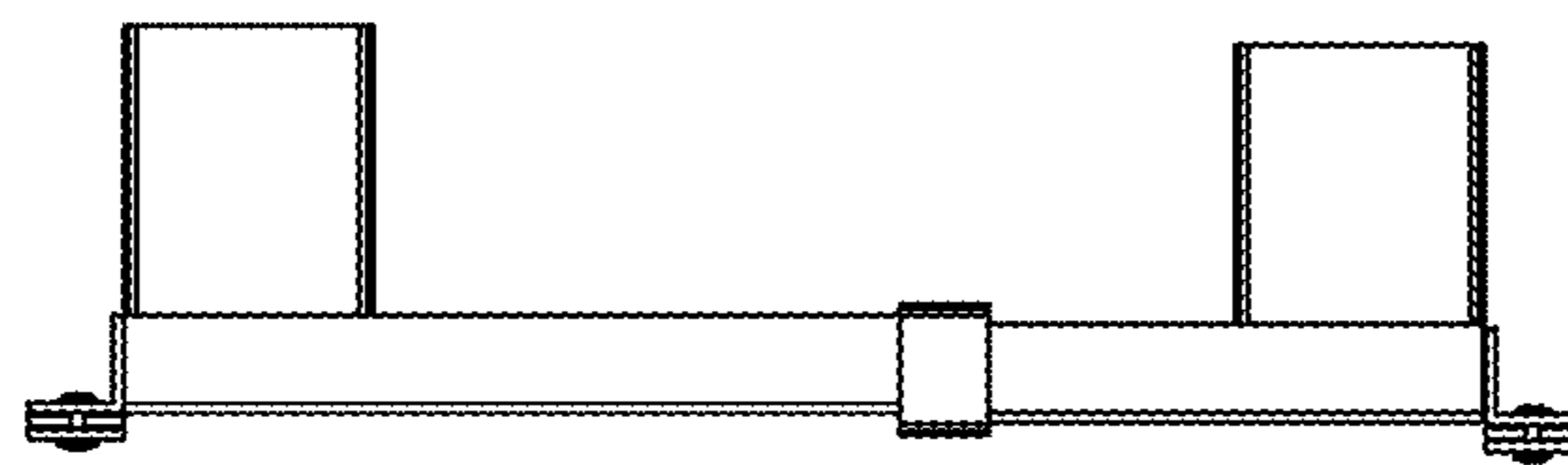


FIG. 24

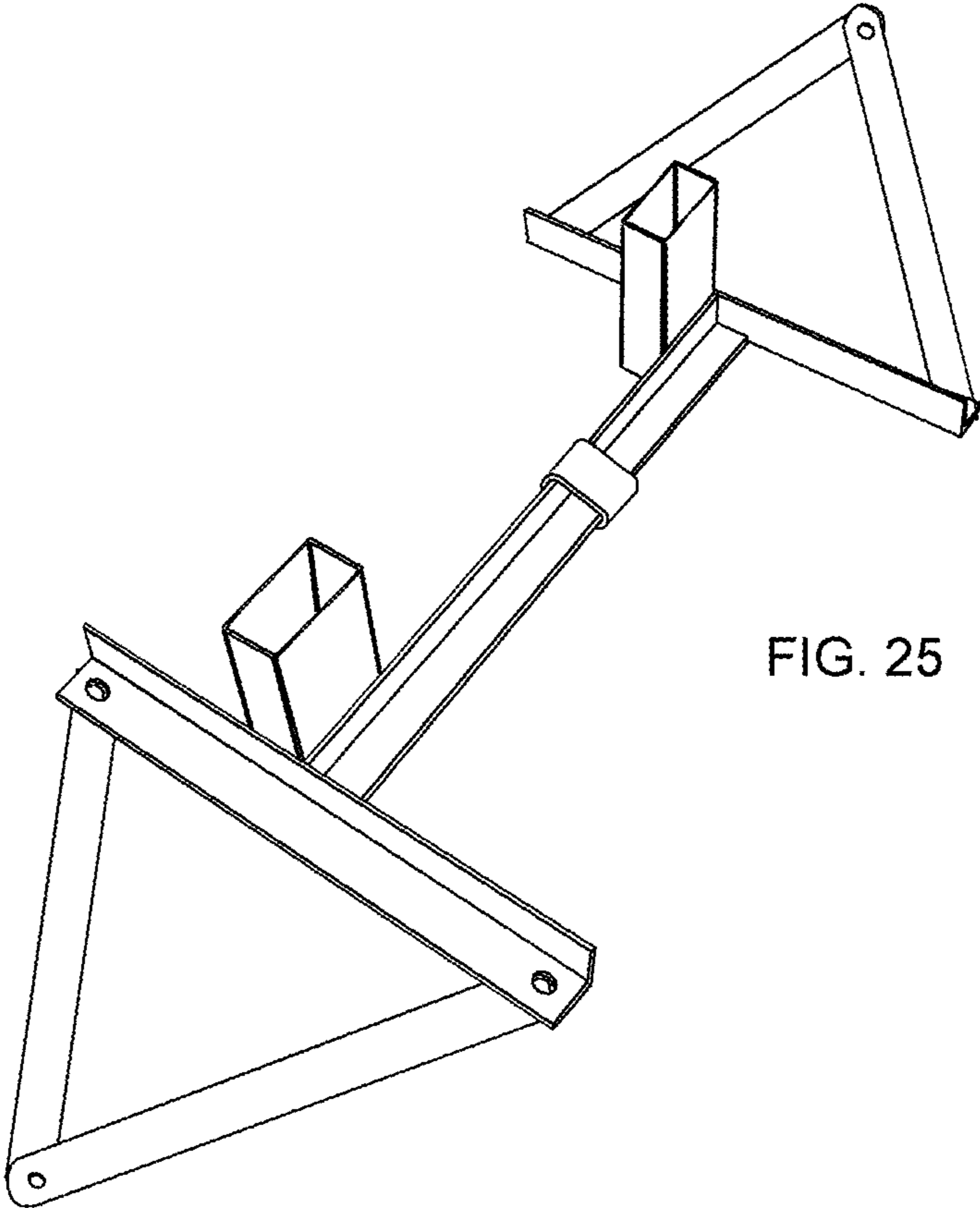


FIG. 25

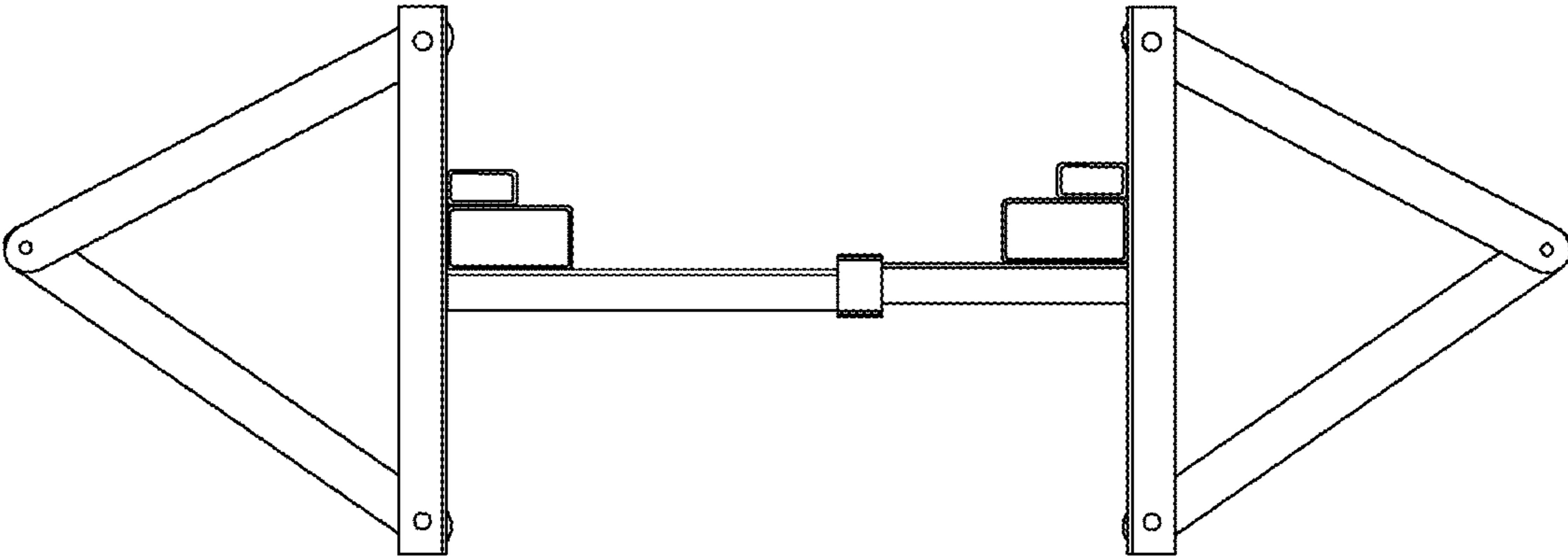


FIG. 26

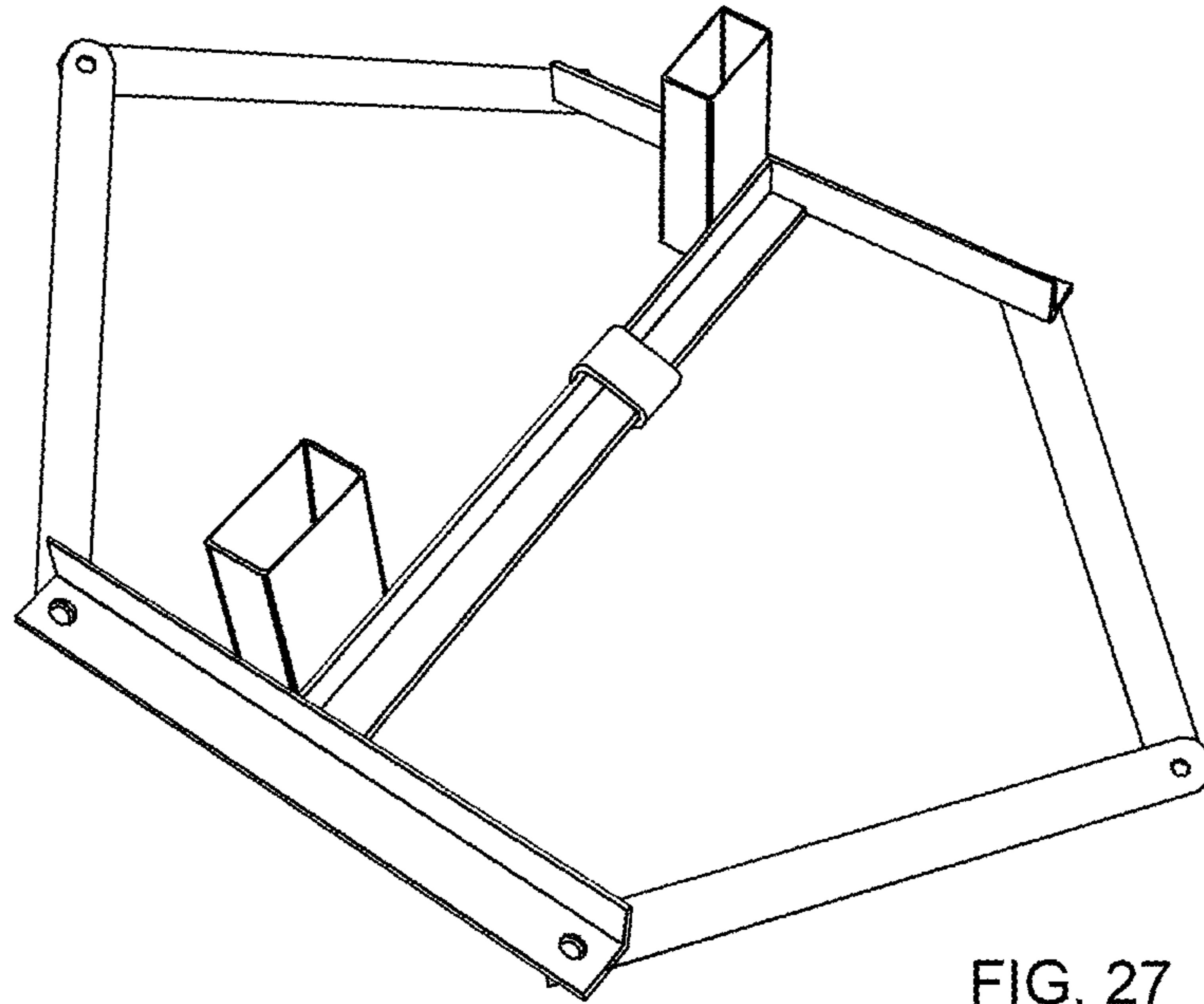


FIG. 27

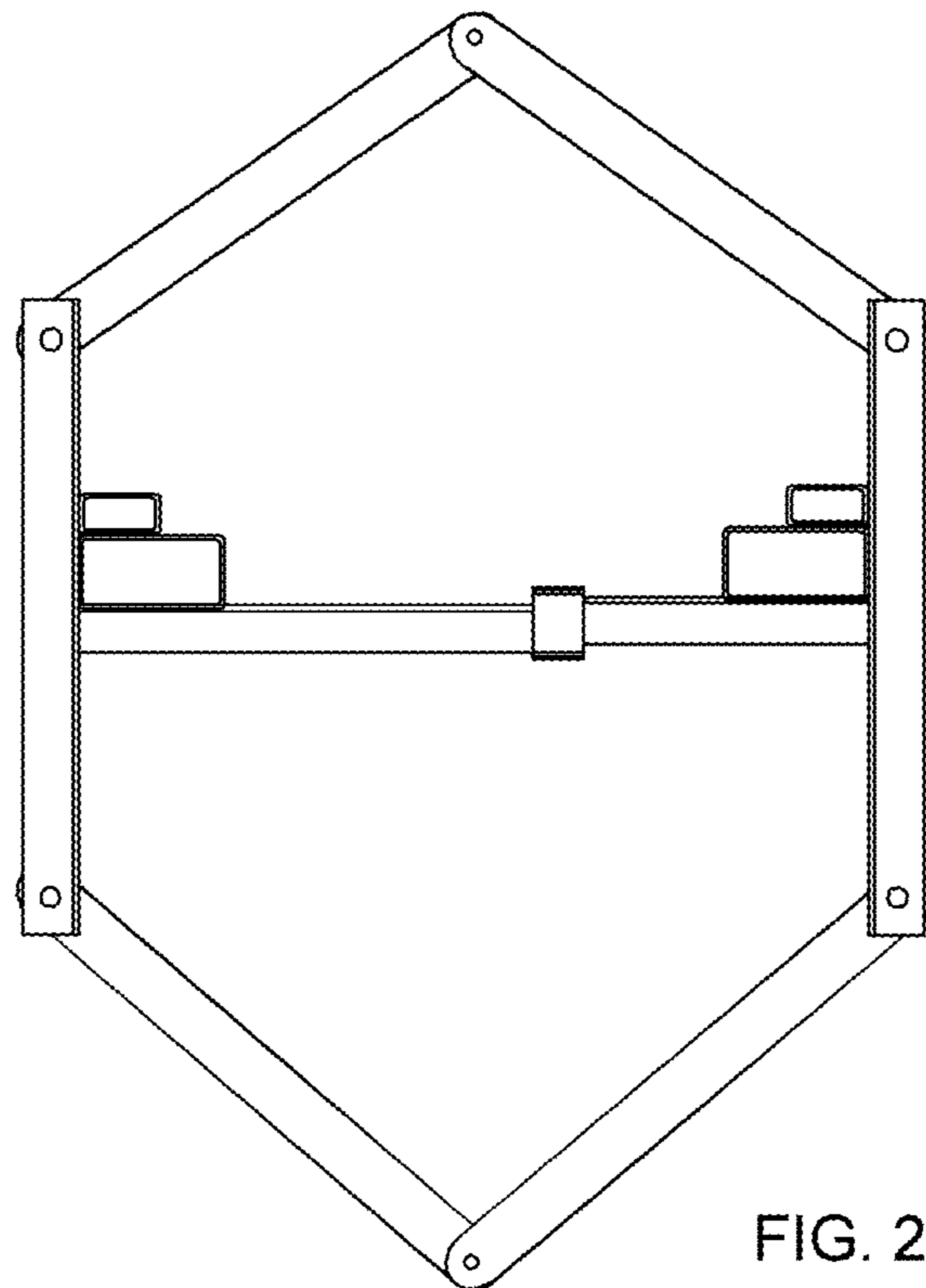


FIG. 28