



US00D874603S

(12) **United States Design Patent** (10) **Patent No.:** **US D874,603 S**
Tipton (45) **Date of Patent:** **** Feb. 4, 2020**

(54) **INVERTIBLE CHEEK PIECE MOUNT**

(71) Applicant: **Gentry Roger Tipton**, Bono, AR (US)

(72) Inventor: **Gentry Roger Tipton**, Bono, AR (US)

(**) Term: **15 Years**

(21) Appl. No.: **29/685,951**

(22) Filed: **Apr. 1, 2019**

Related U.S. Application Data

(63) Continuation-in-part of application No. 29/637,046, filed on Feb. 13, 2018, now Pat. No. Des. 844,736.

(51) **LOC (12) Cl.** **22-01**

(52) **U.S. Cl.**
USPC **D22/108**; D22/110

(58) **Field of Classification Search**
USPC D22/108-111, 199; D21/571-575
CPC F41C 23/10; F41C 23/14; F41C 23/16;
F41C 23/18

See application file for complete search history.

(56) **References Cited**

U.S. PATENT DOCUMENTS

- 5,075,995 A * 12/1991 Kennel F41C 23/14
42/73
- D343,221 S * 1/1994 Fields D22/103
- 7,984,580 B1 * 7/2011 Giauque F41C 23/14
42/73
- D643,085 S * 8/2011 Peterson D22/103
- D645,533 S * 9/2011 Peterson D22/108
- D704,294 S * 5/2014 Jarboe D22/108
- 8,789,306 B1 * 7/2014 Mazzoni F41C 27/00
42/71.01
- D780,279 S * 2/2017 Bosco D22/108
- D788,252 S * 5/2017 Slater D22/108
- D796,617 S * 9/2017 Chow D22/108
- D810,225 S * 2/2018 Huang D22/108
- D811,839 S * 3/2018 Lippert D8/43

(Continued)

FOREIGN PATENT DOCUMENTS

CA 2851554 A1 * 4/2013 F41C 23/14

OTHER PUBLICATIONS

Order ICM, posted at Tipton Tactical, posting date not available.
[Site visited Nov. 1, 2018] URL: <<https://www.tiptontactical.org/order>>.*

(Continued)

Primary Examiner — Kevin K Rudzinski

Assistant Examiner — Kathleen L Jones

(74) *Attorney, Agent, or Firm* — Schrantz Law Firm, PLLC; Stephen D. Schrantz

(57) **CLAIM**

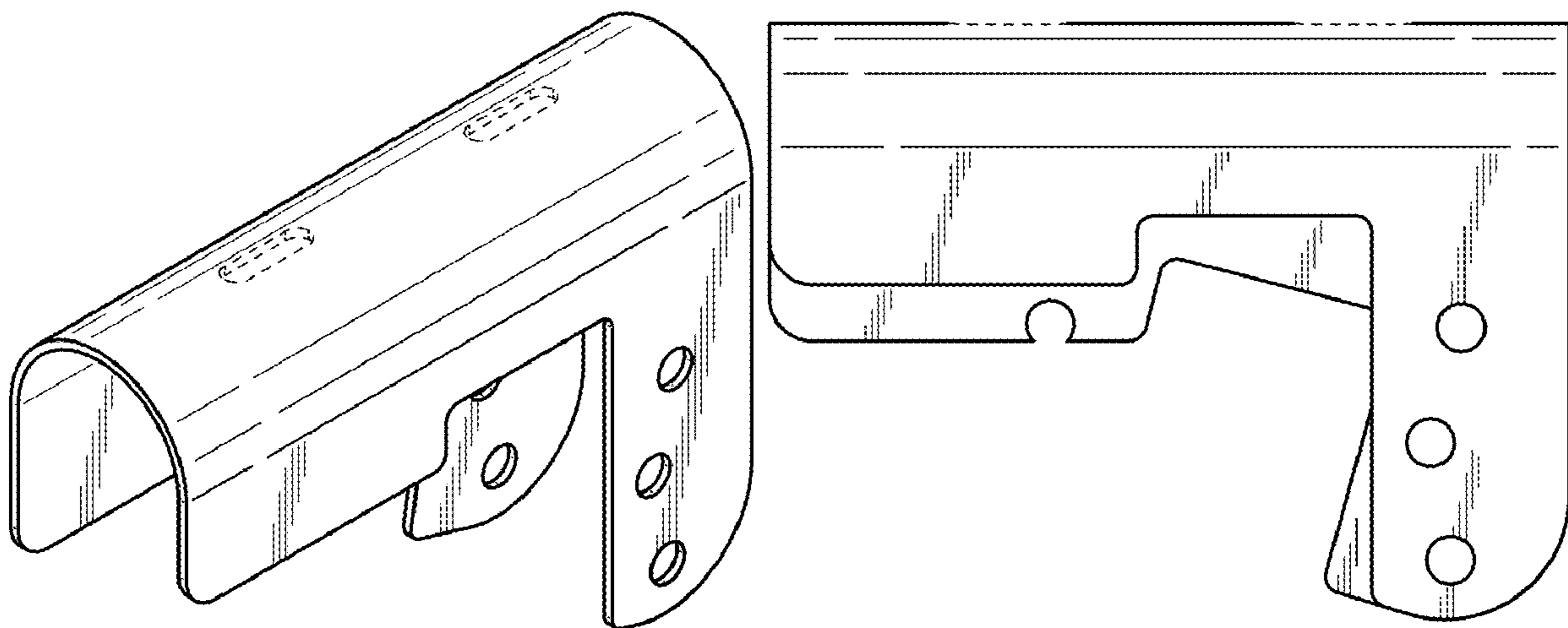
The ornamental design for an invertible cheek piece mount, as shown and described.

DESCRIPTION

FIG. 1 is a front perspective view of the present invention; FIG. 2 is a rear perspective view thereof; FIG. 3 is a front view thereof; FIG. 4 is a left side view thereof; FIG. 5 is a right side view thereof; FIG. 6 is a top view thereof; FIG. 7 is a bottom view thereof; FIG. 8 is a rear view thereof; FIG. 9 is a front view thereof showing environmental structure in broken lines; and, FIG. 10 is a rear view thereof showing environmental structure in broken lines.

The broken lines in FIGS. 1-8 showing portions of the article are for illustrative purposes only and form no part of the claimed design. The broken lines in FIGS. 9-10 showing environmental structure form no part of the claimed design.

1 Claim, 3 Drawing Sheets



(56)

References Cited

U.S. PATENT DOCUMENTS

D817,437 S * 5/2018 Hancosky D22/109
D819,769 S * 6/2018 Stevens D22/108
D823,979 S * 7/2018 Stevens D22/108
D823,980 S * 7/2018 Stevens D22/108
D831,149 S * 10/2018 Barfoot D22/108
10,088,267 B2 * 10/2018 Slater F41C 23/14
D836,746 S * 12/2018 Tyrone D22/108
D844,736 S * 4/2019 Tipton D22/108
D850,559 S * 6/2019 Hoang D22/108
2012/0110884 A1 * 5/2012 Criswell F41C 23/14
42/73
2014/0283428 A1 * 9/2014 Slater F41C 23/14
42/71.01
2016/0202016 A1 * 7/2016 Mather F41C 23/14
42/73
2017/0254614 A1 * 9/2017 Moretti F41C 23/20
2018/0003459 A1 * 1/2018 Miller F41C 23/04
2018/0202756 A1 * 7/2018 Shinkle F41C 23/14
2019/0128639 A1 * 5/2019 Parker F41C 23/14

OTHER PUBLICATIONS

Leghorn, Nick, Gear Review: Bradley Adjustable Cheek Rest.
posting date Jan. 13, 2014. [Site visited Nov. 1, 2018] URL:
<<https://www.thetruthaboutguns.com/2014/01/foghorn/gear-review-bradley-adjustable-cheek-rest/>> (Year: 2014).*

Order ICM II, posted at Tipton Tactical, posting date not available.
[Site visited Aug. 27, 2019] URL: <<https://www.tiptontactical.org/order-icm-ii>>.*

* cited by examiner

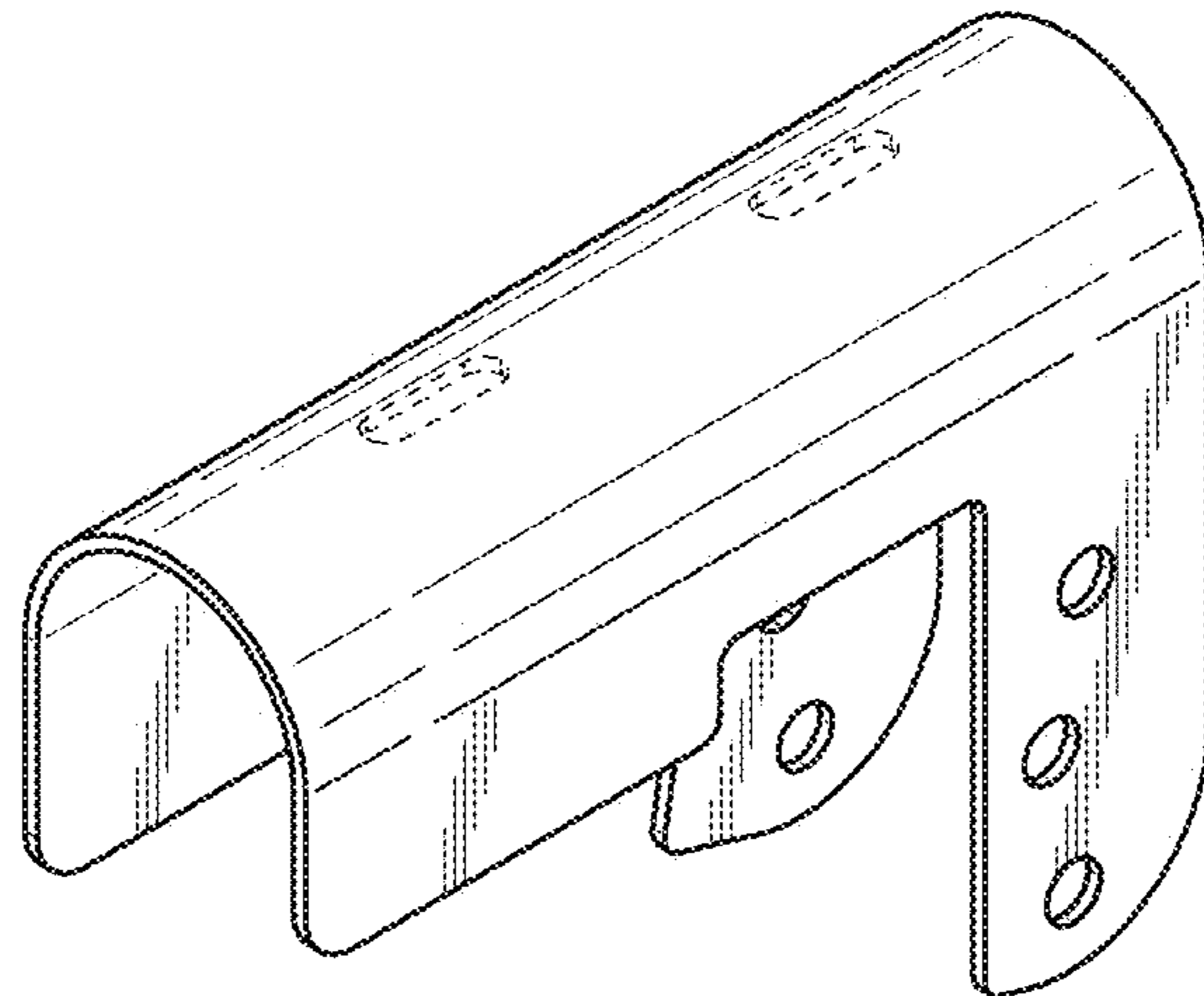


FIG. 1

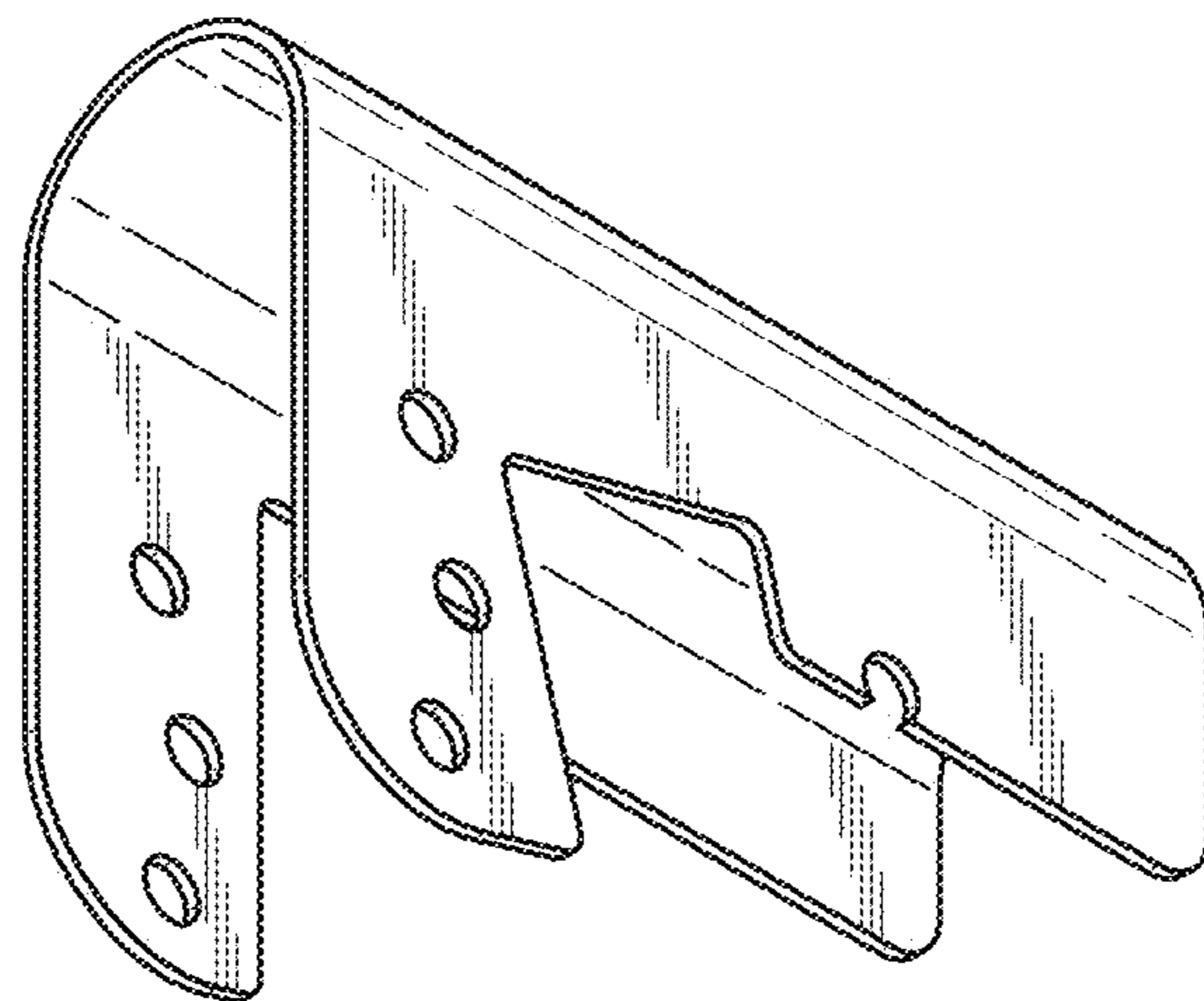


FIG. 2

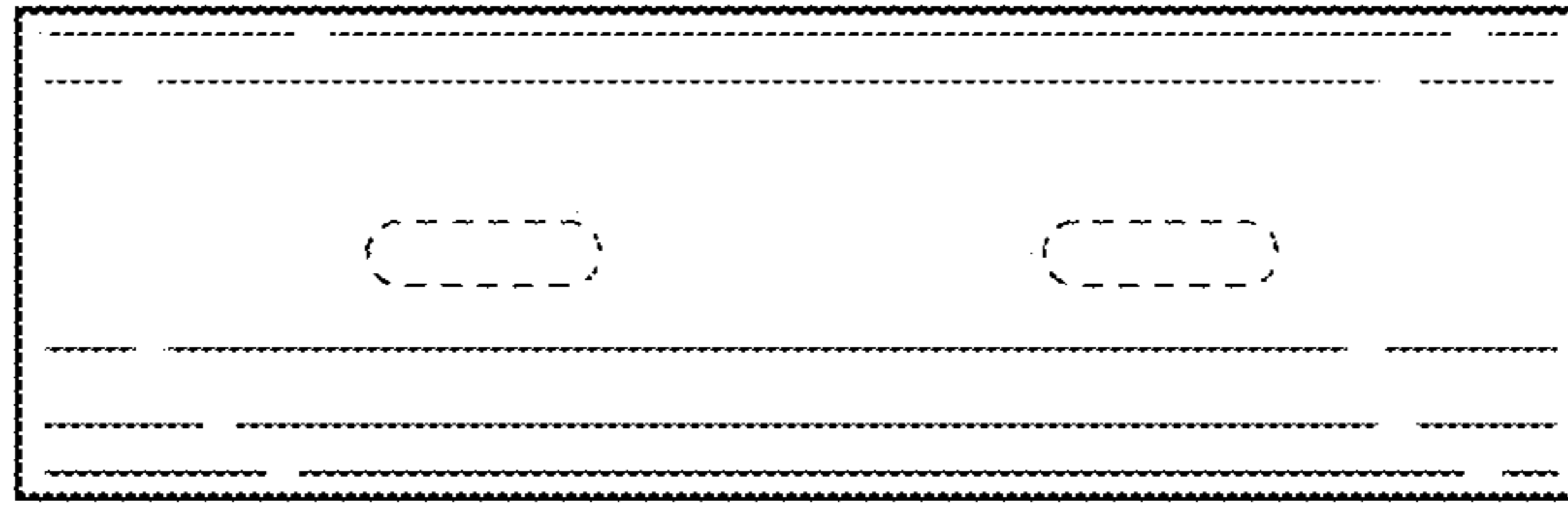


FIG. 6

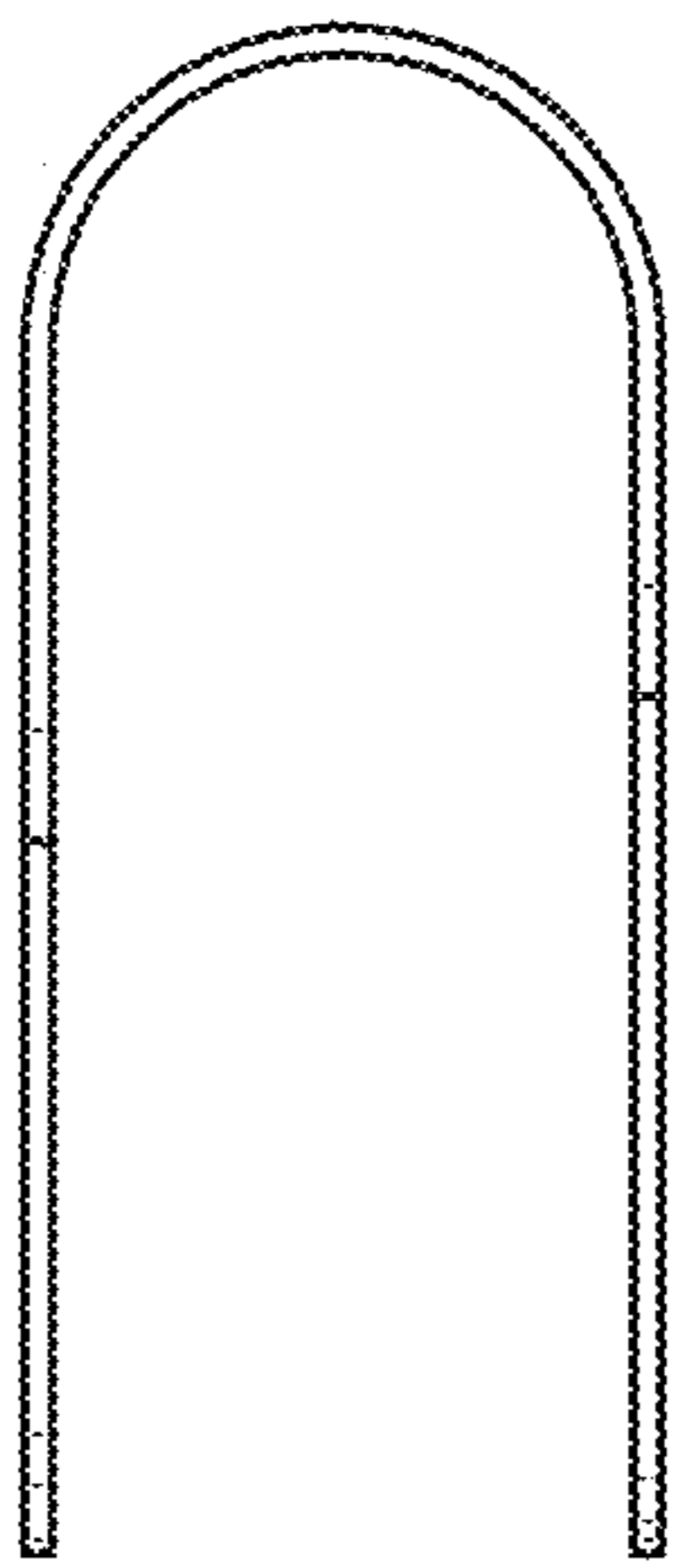


FIG. 4

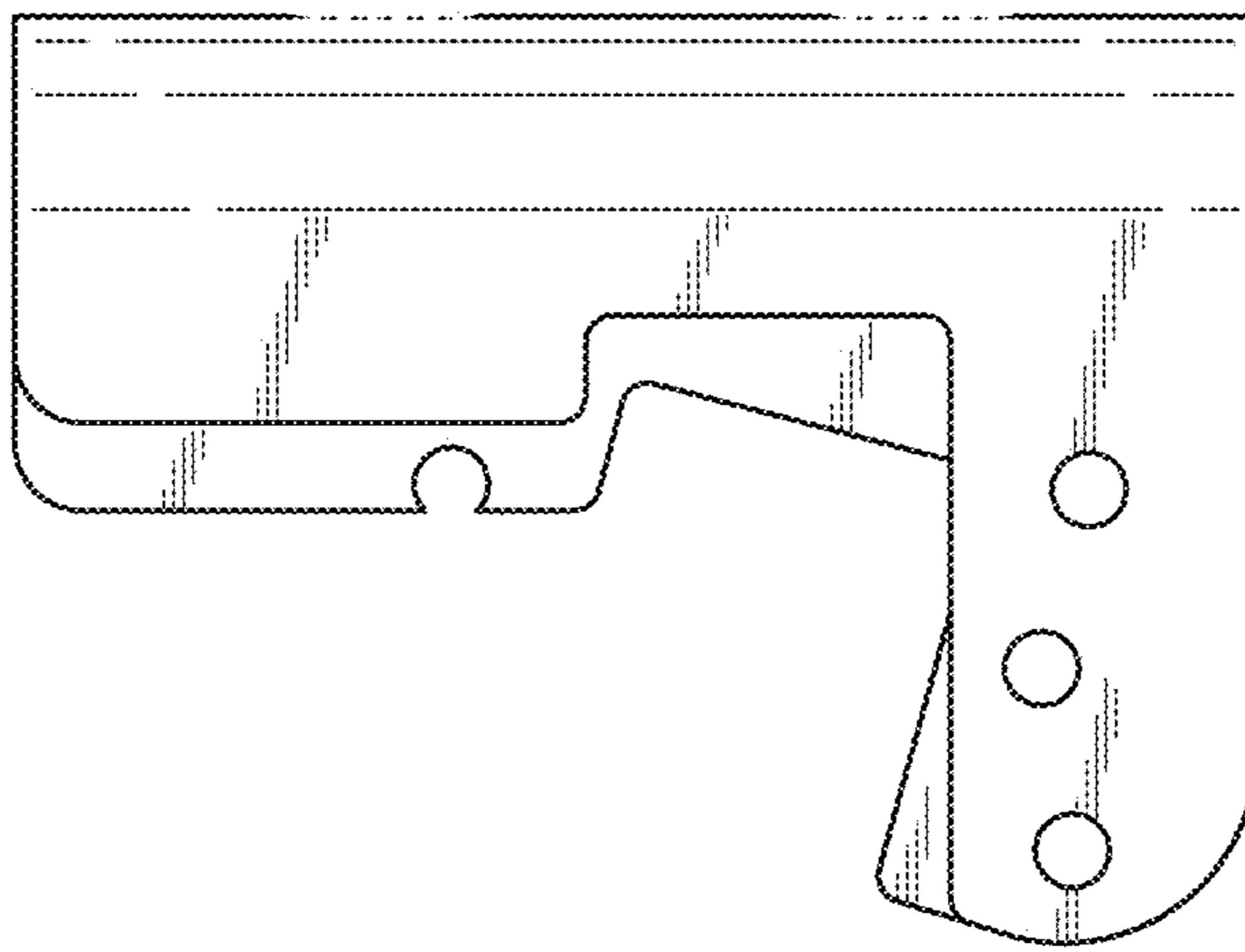


FIG. 3

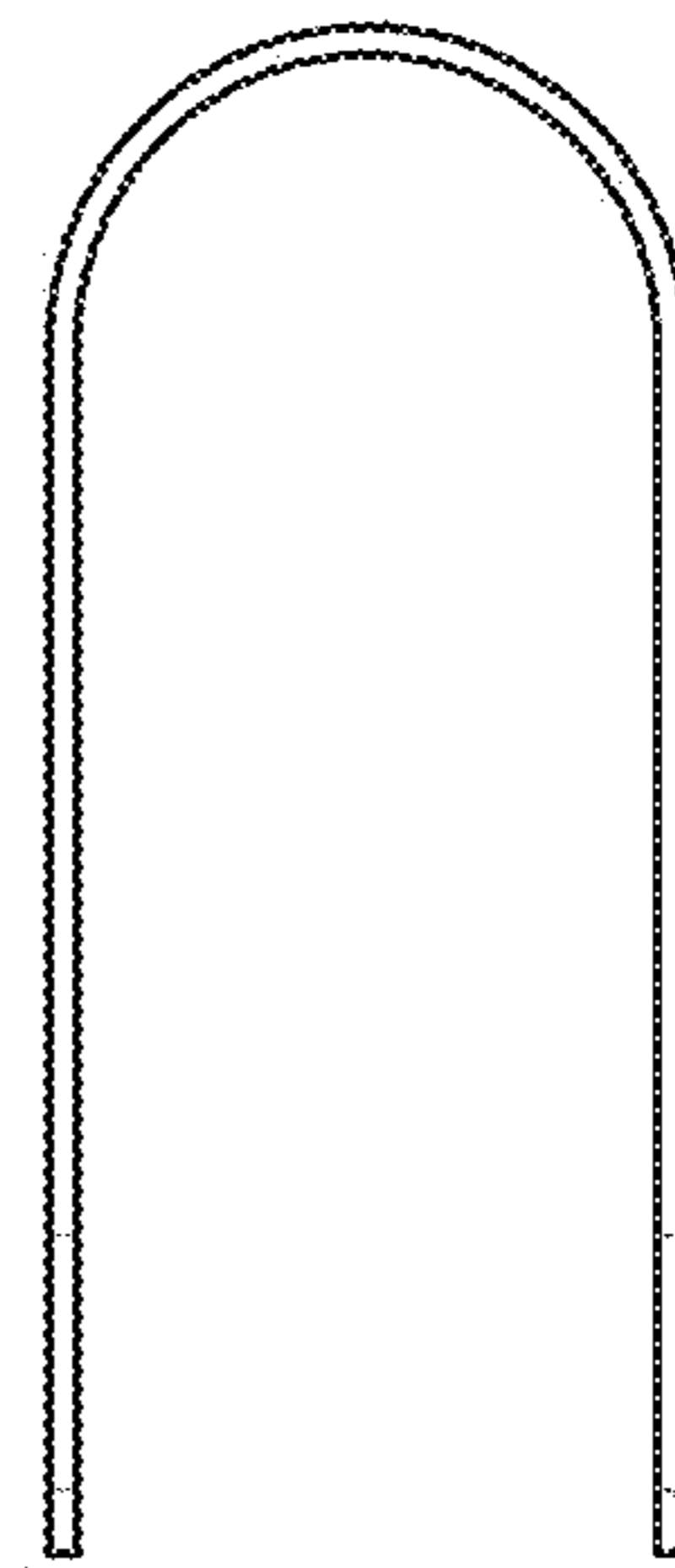


FIG. 5

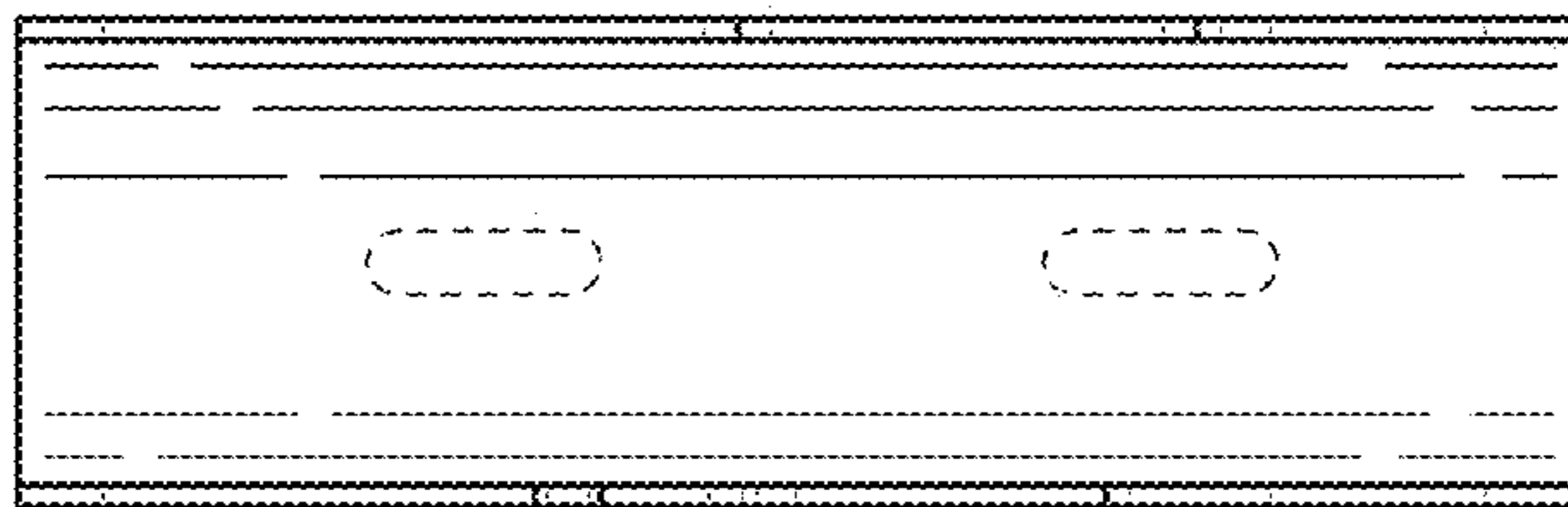


FIG. 7

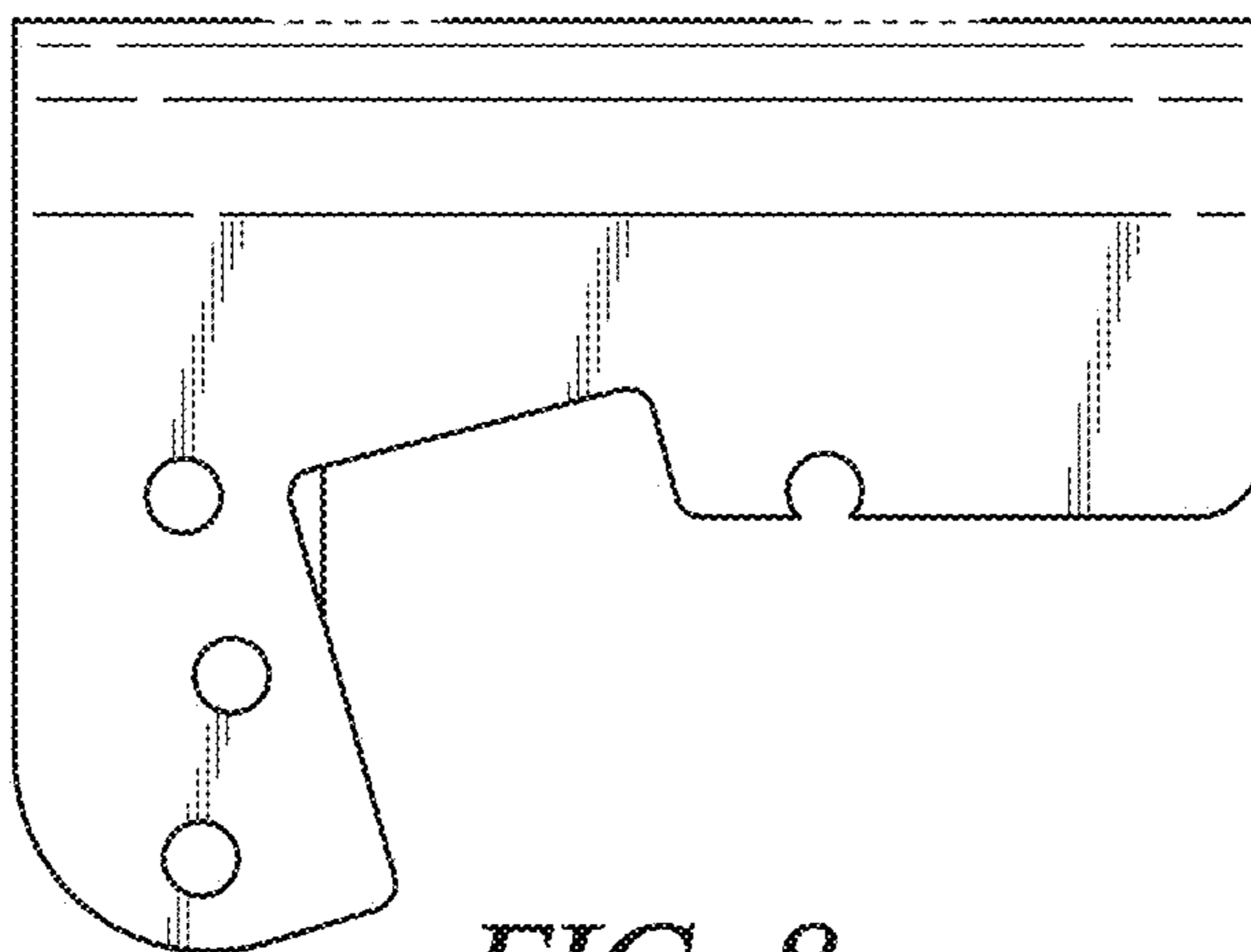


FIG. 8

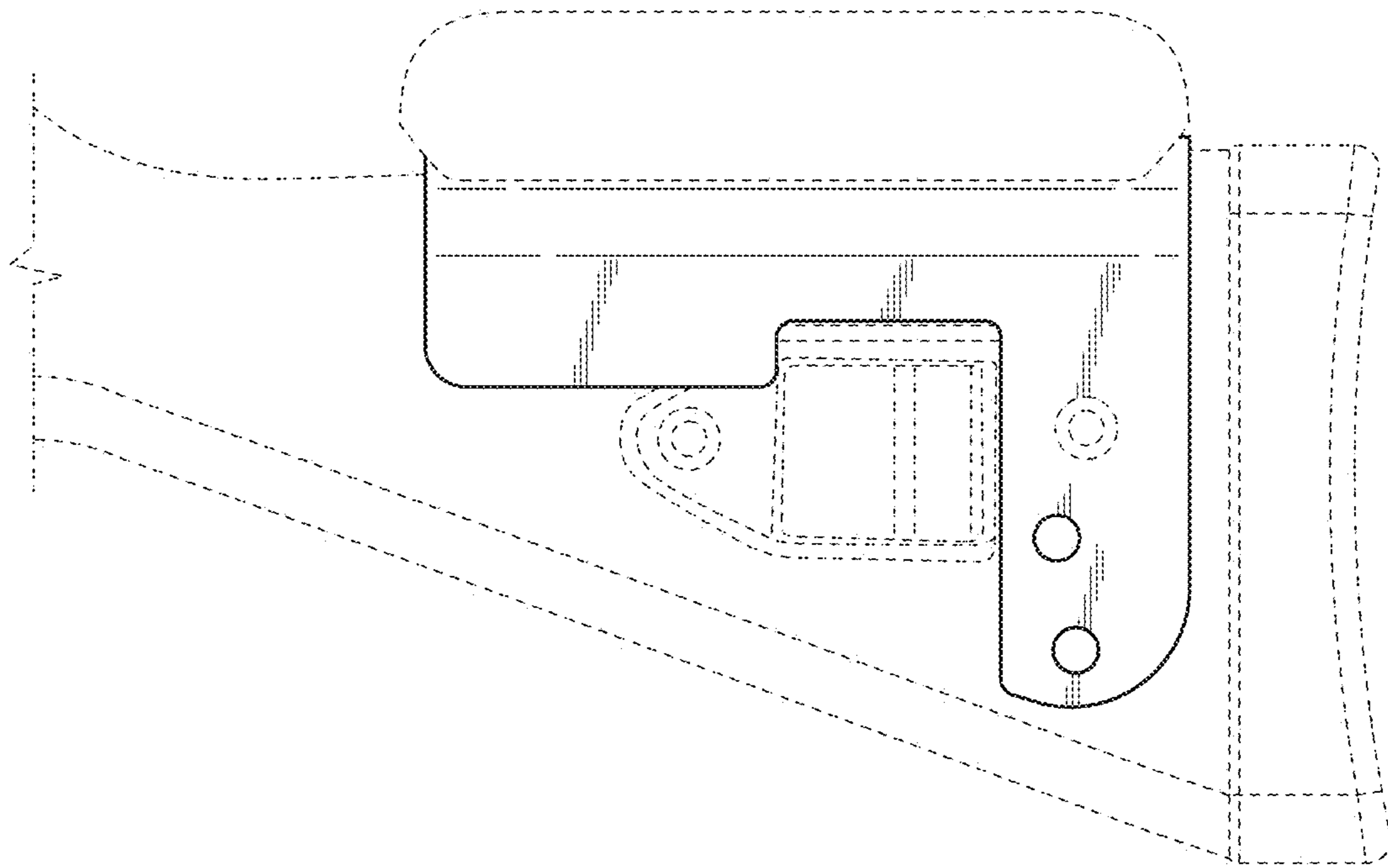


FIG. 9

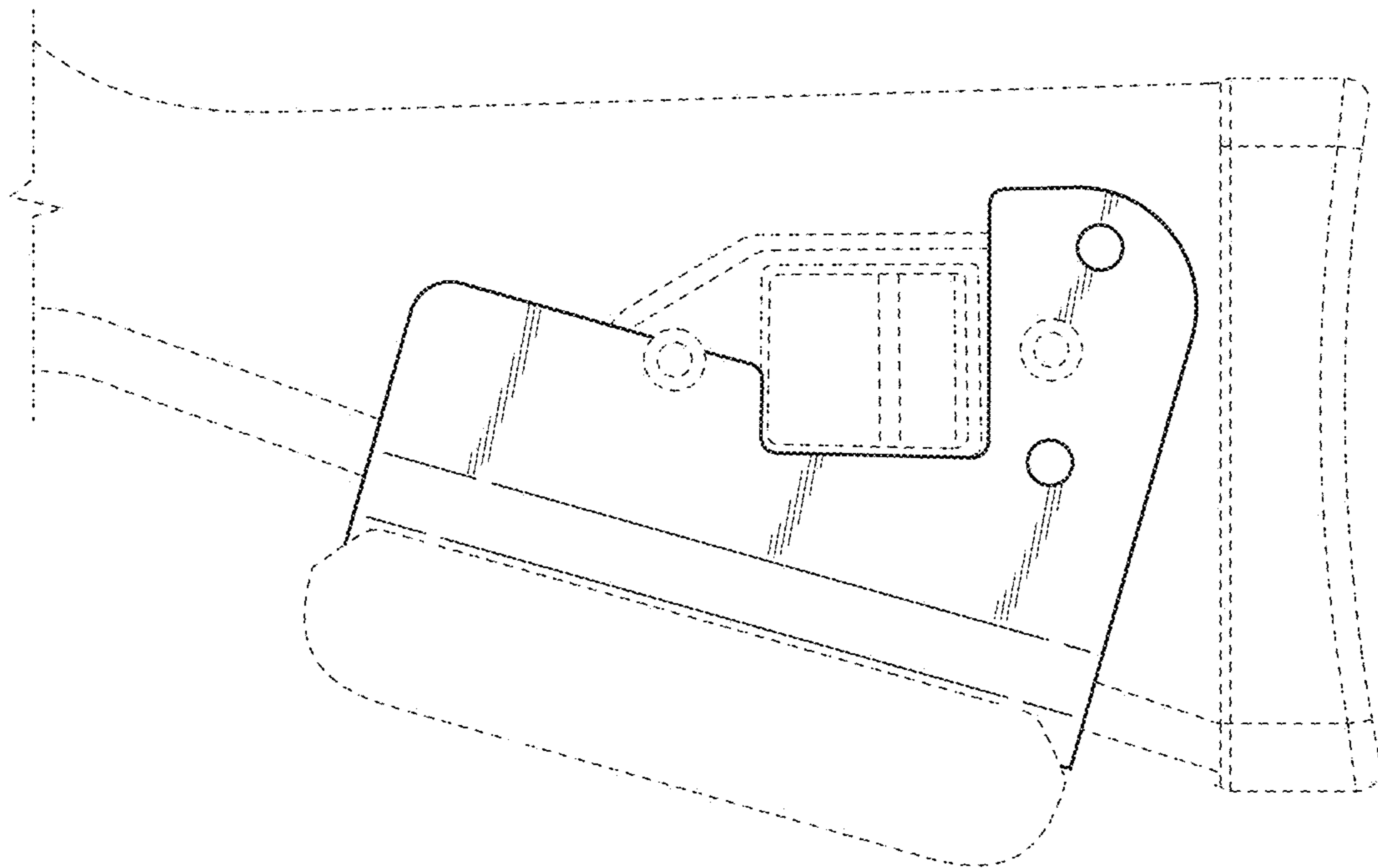


FIG. 10

UNITED STATES PATENT AND TRADEMARK OFFICE
CERTIFICATE OF CORRECTION


PATENT NO. : D874,603 S
APPLICATION NO. : 29/685951
DATED : February 4, 2020
INVENTOR(S) : Gentry Lee Tipton

Page 1 of 1

It is certified that error appears in the above-identified patent and that said Letters Patent is hereby corrected as shown below:

On the Title Page

Item (71) Applicant and (72) Inventor should read Gentry Lee Tipton.

Signed and Sealed this
Twenty-fourth Day of May, 2022

Katherine Kelly Vidal
Director of the United States Patent and Trademark Office