



US00D874601S

(12) **United States Design Patent**  
**Hills**

(10) **Patent No.:** **US D874,601 S**

(45) **Date of Patent:** **\*\* Feb. 4, 2020**

(54) **BLANK FIRING ADAPTER**

(71) Applicant: **James Hills**, Peyton, CO (US)

(72) Inventor: **James Hills**, Peyton, CO (US)

(\*\*) Term: **15 Years**

(21) Appl. No.: **29/597,009**

(22) Filed: **Mar. 13, 2017**

(51) **LOC (12) Cl.** ..... **22-01**

(52) **U.S. Cl.**

USPC ..... **D22/108**

(58) **Field of Classification Search**

USPC ..... D22/100, 101, 103, 104, 105, 108-110;  
D21/572-575, 567, 570; D14/418;  
42/124-128, 10, 15, 16, 83, 85, 86, 87,  
42/90, 113, 117, 141, 142, 69.02, 69.03,  
42/75.01, 75.02, 75.03, 75.05, 50, 51,  
42/71.01, 94, 404, 414, 417; D8/300,  
D8/399, 387, 393; 292/2; 362/110;  
89/1.42; 124/25, 41.1, 45, 49, 51.1, 55,  
124/56, 69, 70-74, 76, 79

CPC ..... F41C 3/14; F41C 3/16; F41C 3/04; F41C  
23/04; F41C 23/10; F41C 23/14; F41C  
23/16; F41C 23/20; F41C 7/00; F41C  
27/00; F41A 3/66; F41A 19/14; F41A  
3/12; F41A 11/00; F41A 15/14; F41A  
19/30; F41A 3/14; F41A 3/54; F41A  
21/482; F41A 21/488; F41A 21/00; F41A  
3/72; F41A 9/61; F41A 9/62; F41A 9/65;  
F41A 9/70; F41A 9/83; F41A 17/38;  
F41G 11/001; F41G 11/003; F41G  
11/004; F41G 11/005; F41G 11/006;  
F41G 1/00; F41G 1/065; F41G 1/08;  
F41G 1/17; F41G 1/42; F41G

(Continued)

(56) **References Cited**

U.S. PATENT DOCUMENTS

2,276,056 A \* 3/1942 Maynard ..... F41A 33/04  
42/106  
3,137,204 A \* 6/1964 Harvey ..... F41A 21/26  
89/14.5

(Continued)

OTHER PUBLICATIONS

UTG Gen III Integral Blank Firing Adapter for AR/M16 Rifle, Amazon.com, [online], [site visited Jul. 10, 2018]. <URL: https://www.amazon.com/UTG-Integral-Blank-Firing-Adaptor/dp/B00AAVE4EW> (Year: 2018).\*

(Continued)

*Primary Examiner* — T Chase Nelson

*Assistant Examiner* — Jonathan J. Han

(74) *Attorney, Agent, or Firm* — Aspire IP, LLC; Scott J. Hawranek

(57) **CLAIM**

I claim the ornamental design for a blank firing adapter, substantially as shown and described.

**DESCRIPTION**

FIG. 1 is a top disassembled plan view of a blank firing adapter in accordance with an embodiment of a present design;

FIG. 2 is a front elevation view thereof;

FIG. 3 is a right side disassembled elevation view thereof;

FIG. 4 is a bottom disassembled plan view thereof;

FIG. 5 is a rear elevation view thereof;

FIG. 6 is a disassembled perspective view thereof;

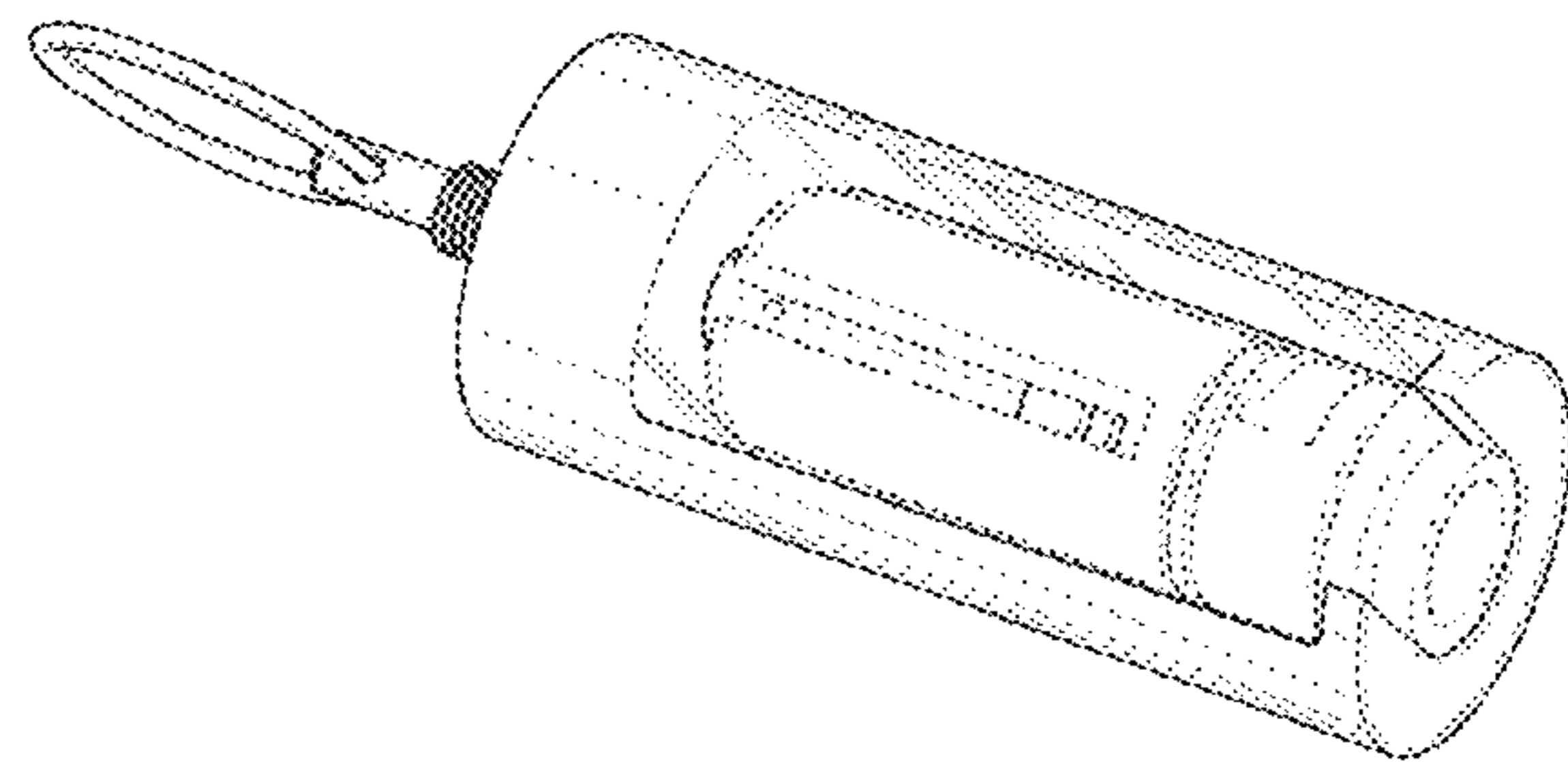
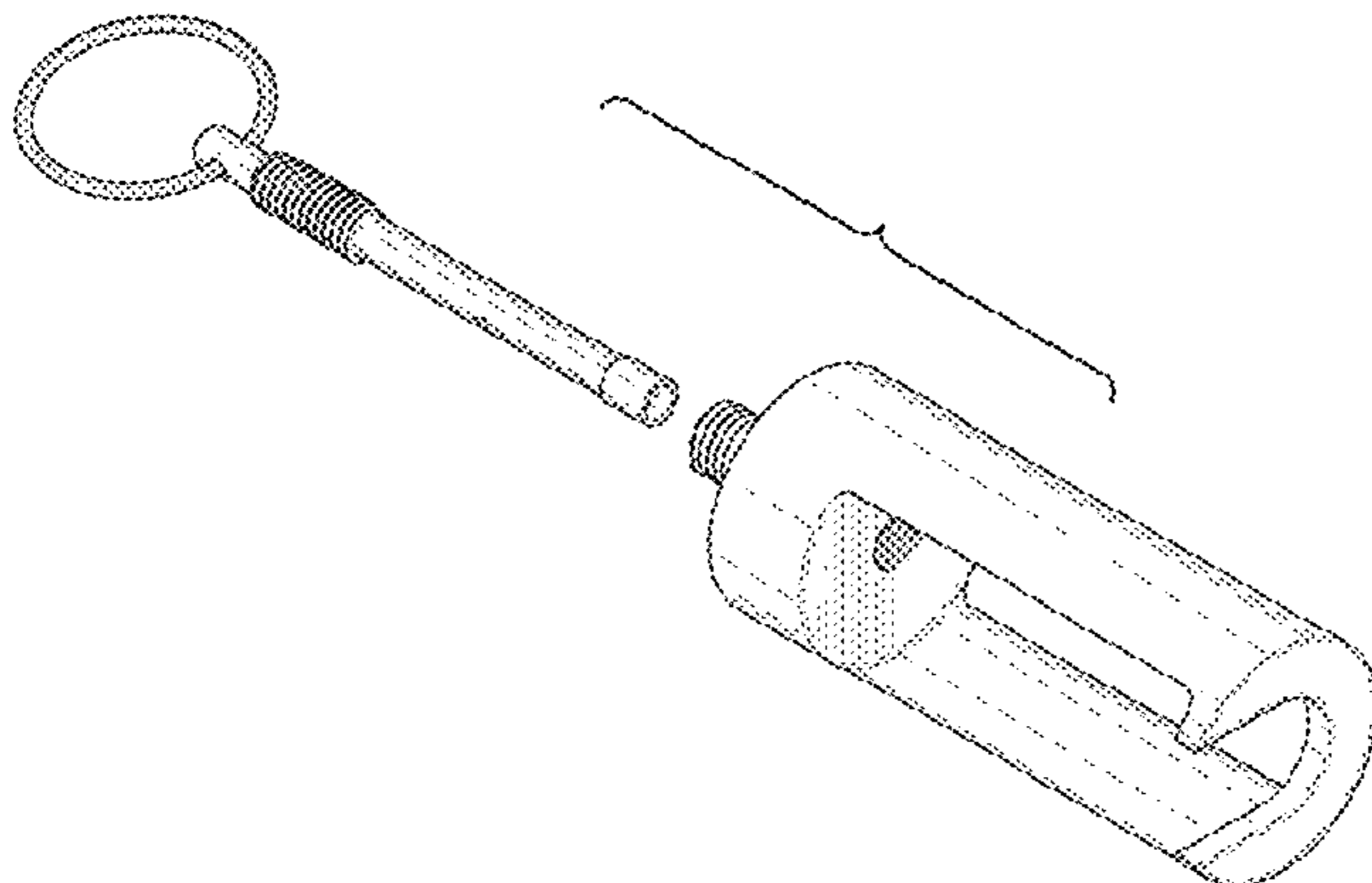
FIG. 7 is an assembled perspective view thereof in an unclaimed environment;

FIG. 8 is a partially assembled top plan view thereof in an unclaimed environment; and,

FIG. 9 is an assembled perspective view thereof in an unclaimed environment.

Broken lines are used to illustrate unclaimed environmental structure of a flash hider and form no party of the claimed design.

**1 Claim, 6 Drawing Sheets**



(58) **Field of Classification Search**  
 CPC ..... 1/32; F41G 1/35; F41G 1/38; F41G 1/02;  
 F41G 1/12; F41G 1/16; F41G 1/345;  
 F41G 1/425  
 See application file for complete search history.

(56) **References Cited**

U.S. PATENT DOCUMENTS

3,440,924 A \* 4/1969 Sawyer ..... F41A 21/26  
 42/79  
 3,687,000 A \* 8/1972 Csizmar ..... F41A 21/26  
 89/14.5  
 3,732,776 A \* 5/1973 Snodgrass ..... F41A 21/26  
 89/14.5  
 3,744,370 A \* 7/1973 Snodgrass ..... F41A 21/26  
 89/14.5  
 3,766,822 A \* 10/1973 Sophinos ..... F41A 21/26  
 89/14.5  
 3,938,262 A \* 2/1976 Dye ..... F41A 33/02  
 42/116  
 3,941,029 A \* 3/1976 Skahill ..... F41A 21/26  
 89/14.5  
 4,128,040 A \* 12/1978 Schuetz ..... F41A 21/26  
 89/14.5  
 4,261,246 A \* 4/1981 Skahill ..... F41A 21/26  
 89/14.5  
 4,392,413 A \* 7/1983 Gwinn, Jr. .... F41A 21/36  
 89/14.3  
 4,685,378 A \* 8/1987 Lusk ..... F41A 21/26  
 89/14.5  
 4,829,877 A \* 5/1989 Zerega ..... F41A 21/26  
 434/18  
 5,140,893 A \* 8/1992 Leiter ..... F41A 21/26  
 89/14.5  
 5,325,758 A \* 7/1994 Compton ..... F41A 21/26  
 89/14.5  
 5,377,438 A \* 1/1995 Sheinfeld ..... F41A 21/26  
 42/106  
 5,433,133 A 7/1995 La France  
 6,026,728 A 2/2000 Guhring et al.  
 6,889,593 B2 \* 5/2005 Guhring ..... F41A 21/26  
 42/96  
 6,973,863 B1 \* 12/2005 Jones ..... F41A 21/26  
 89/14.2  
 7,036,260 B2 \* 5/2006 Gee ..... F41A 21/28  
 102/293

7,143,680 B2 \* 12/2006 Bender ..... F41A 21/38  
 89/14.3  
 8,091,462 B2 1/2012 Dueck et al.  
 8,100,224 B1 1/2012 Olson  
 8,201,487 B2 6/2012 Dueck et al.  
 D679,342 S \* 4/2013 Coulter ..... D21/573  
 D682,384 S \* 5/2013 Jaureguizar ..... D22/108  
 8,567,556 B2 10/2013 Dueck et al.  
 8,568,143 B2 \* 10/2013 Uhr ..... F41A 33/00  
 434/11  
 8,584,794 B2 11/2013 Dueck  
 8,763,510 B2 7/2014 Dueck et al.  
 D715,378 S \* 10/2014 Coulter ..... D21/573  
 D720,031 S \* 12/2014 Buffoni ..... D22/108  
 9,046,316 B1 \* 6/2015 Young ..... F41A 21/30  
 D745,936 S \* 12/2015 Coulter ..... D21/573  
 D746,401 S \* 12/2015 Harrison ..... D22/108  
 9,417,022 B2 \* 8/2016 Sherrill ..... F41A 21/36  
 9,417,035 B2 \* 8/2016 Poirier ..... F41G 1/35  
 9,777,981 B1 \* 10/2017 Bower ..... A63H 5/04  
 9,921,021 B1 \* 3/2018 Graham, II ..... F41A 21/325  
 2003/0022135 A1 1/2003 Shechter et al.  
 2005/0066804 A1 3/2005 Guhring et al.  
 2010/0281747 A1 11/2010 Anderson  
 2013/0160342 A1 6/2013 Melton

OTHER PUBLICATIONS

U.S. Army blank firing adapter, YouTube.com, Spelunker0211,  
 Published on Feb 13, 2010, [online], [site visited Jul. 10, 2018].  
 <URL: <https://www.youtube.com/watch?v=XkZEpi-YPOk>> (Year:  
 2010).\*  
 M249 SAW Blank Adapter (BFA), NSN 1005-21-912-8997, Amazon.  
 com, Date first listed on Amazon: Apr. 22, 2014, [online], [site  
 visited Jul. 10, 2018]. <URL: <https://www.amazon.com/M249-SAW-Blank-Adapter-1005-21-912-8997/dp/B00JU7T7JC>> (Year: 2014).\*  
 M240G Carabine Blank Firing Adapter 7.62mm .308 cal, Bradleys-  
 Surplus.com, [online], [site visited Jul. 10, 2018]. <URL: <https://bradleyssurplus.com/m240g-carabine-blank-firing-adapter-7-62mm-308-cal-1-1.html>> (Year: 2018).\*  
 Some Close Up Pictures of our M4 Blank Firing Adapter (BFA) P/N  
 1015, SmithEnterprisesInc.Blogspot.com, Sunday, Sep. 18, 2011,  
 [online], [site visited Jul. 10, 2018]. <URL: <https://smithenterpriseinc.blogspot.com/2011/09/some-close-up-pictures-of-our-m4-blank.html>> (Year: 2011).\*

\* cited by examiner

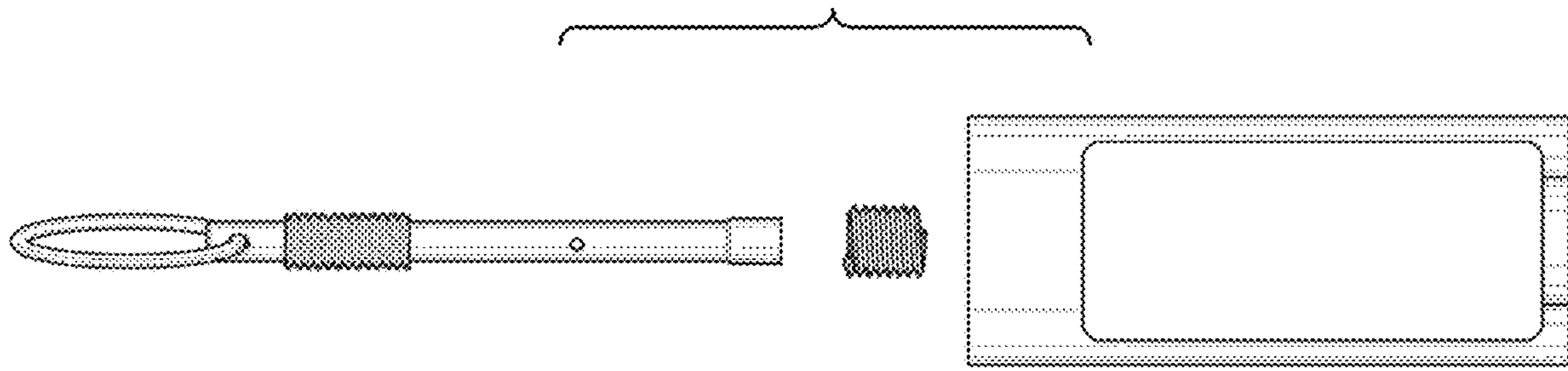


FIG. 1

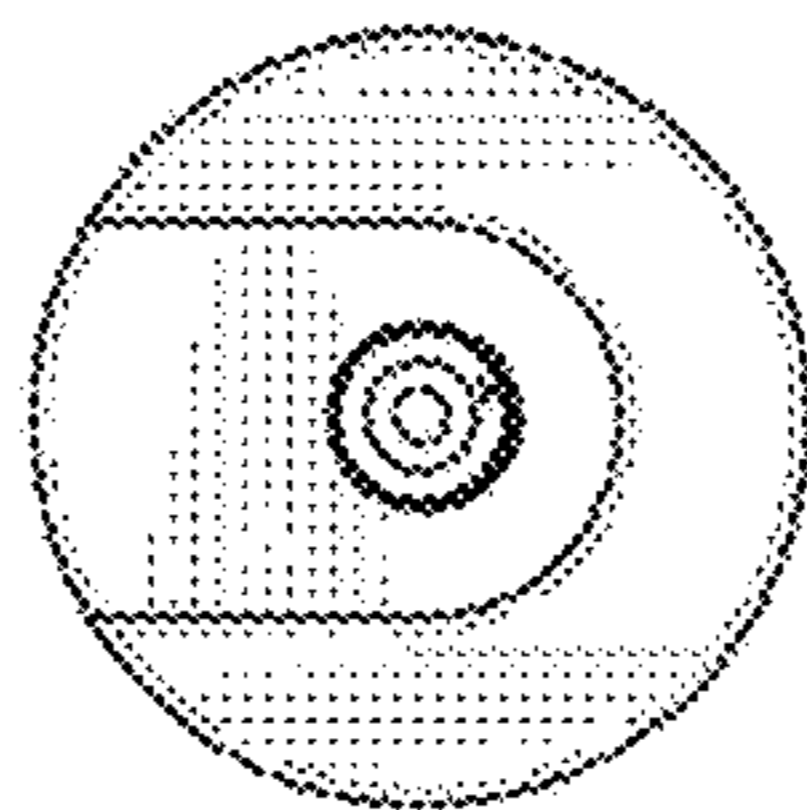


FIG. 2

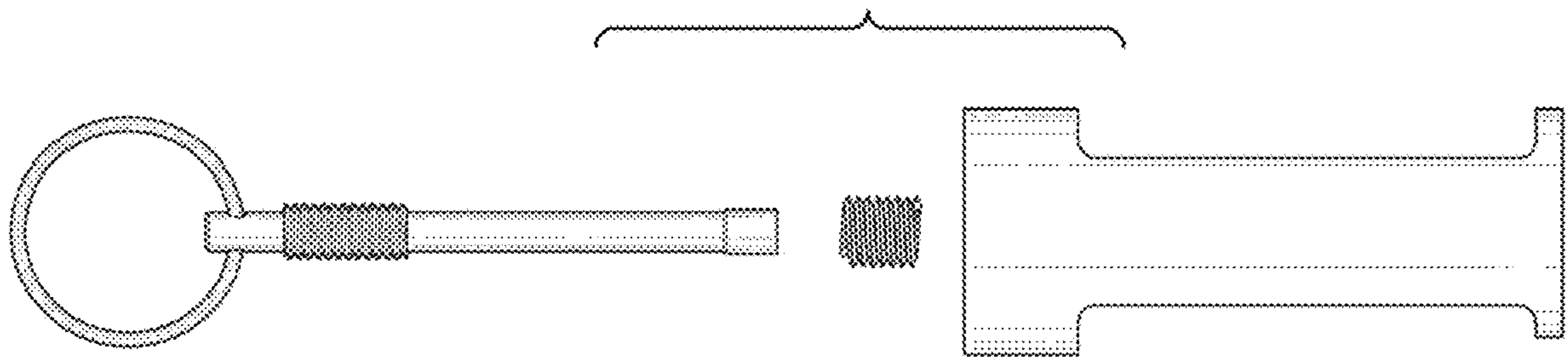


FIG. 3

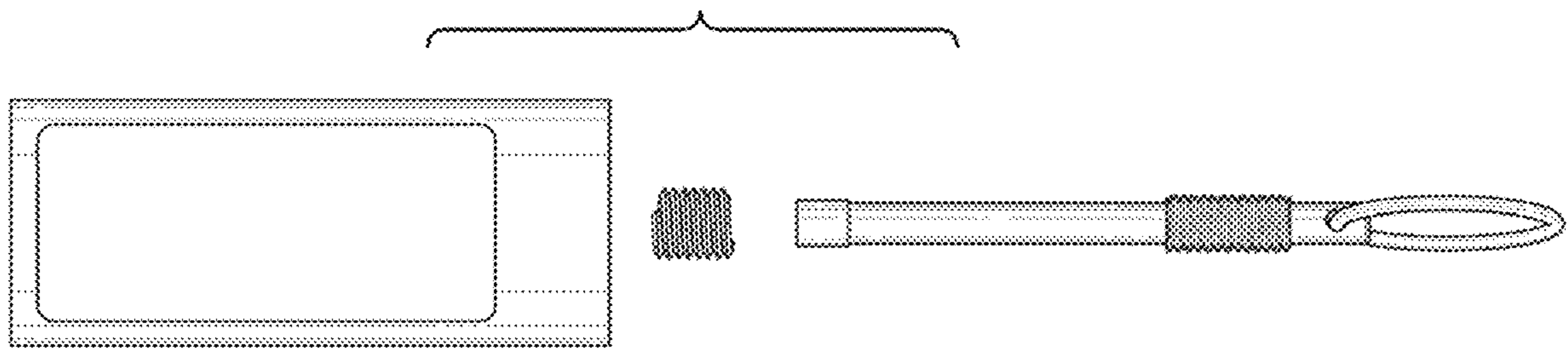


FIG. 4

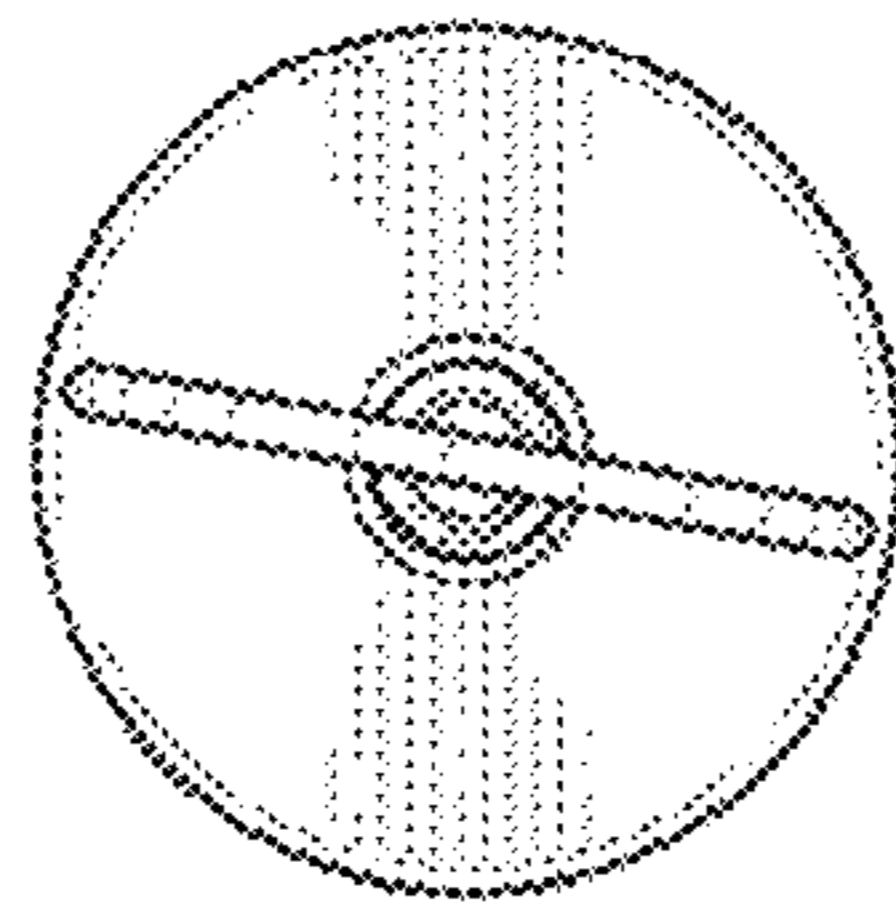


FIG. 5

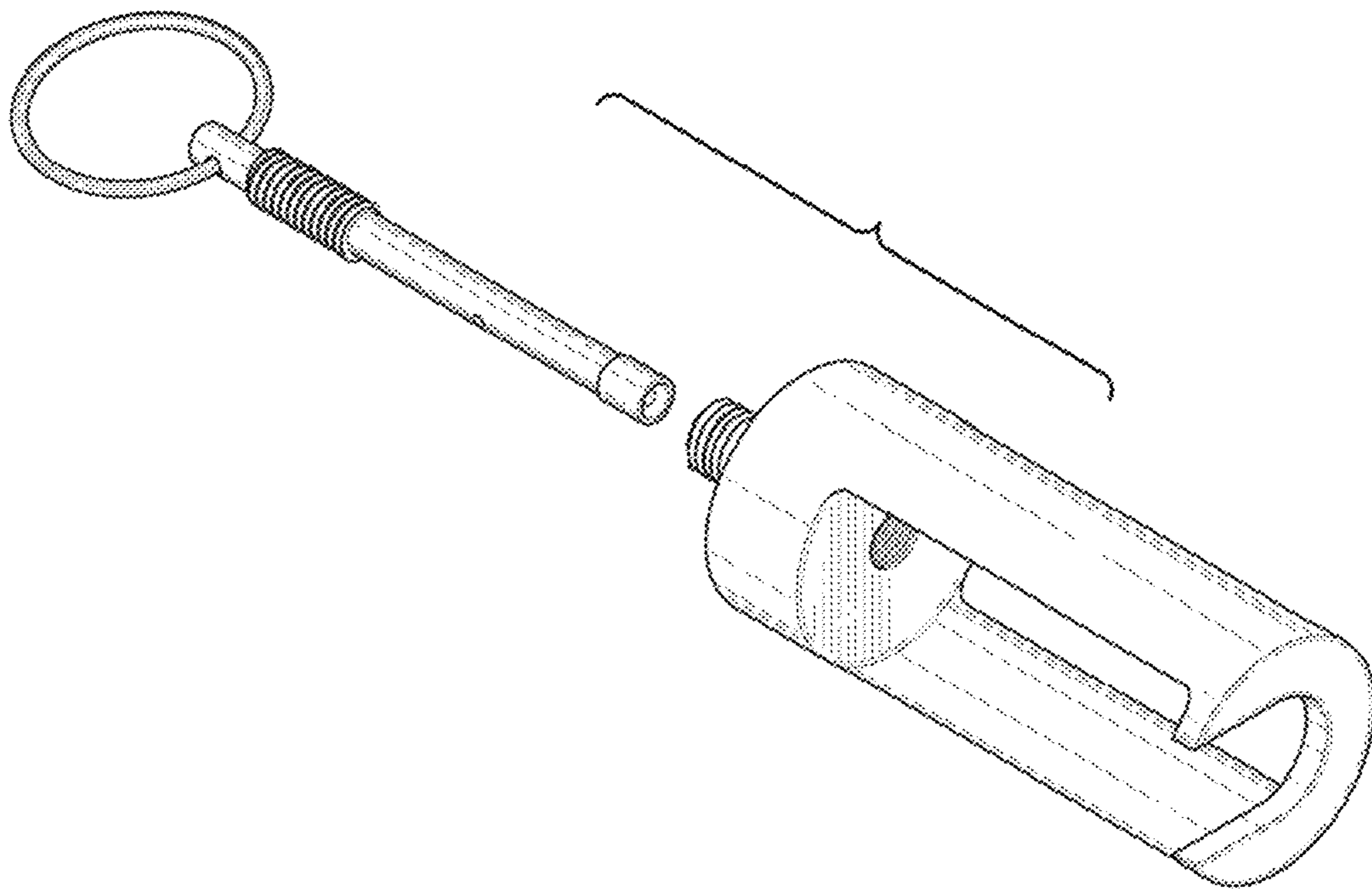


FIG. 6

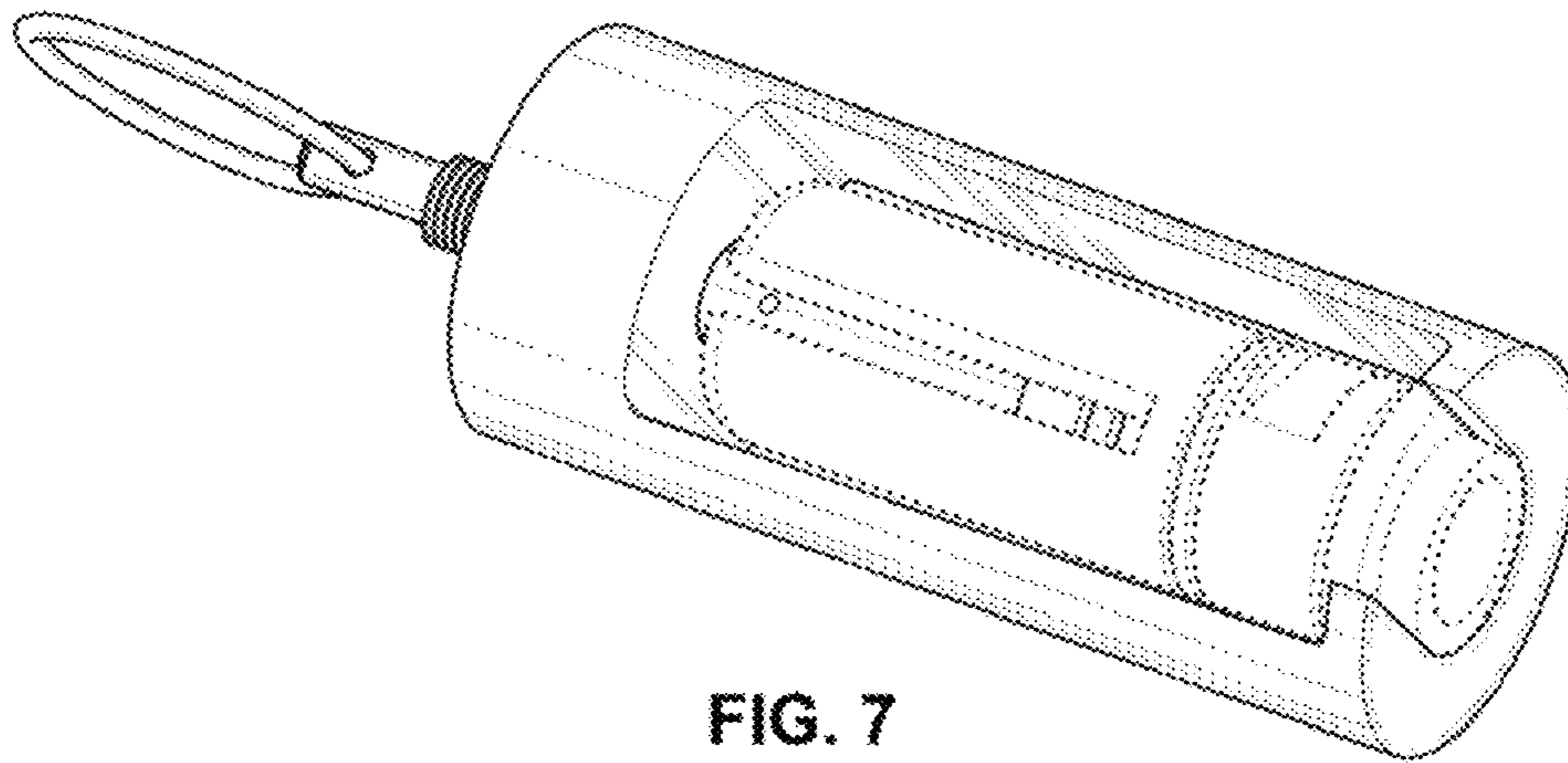


FIG. 7

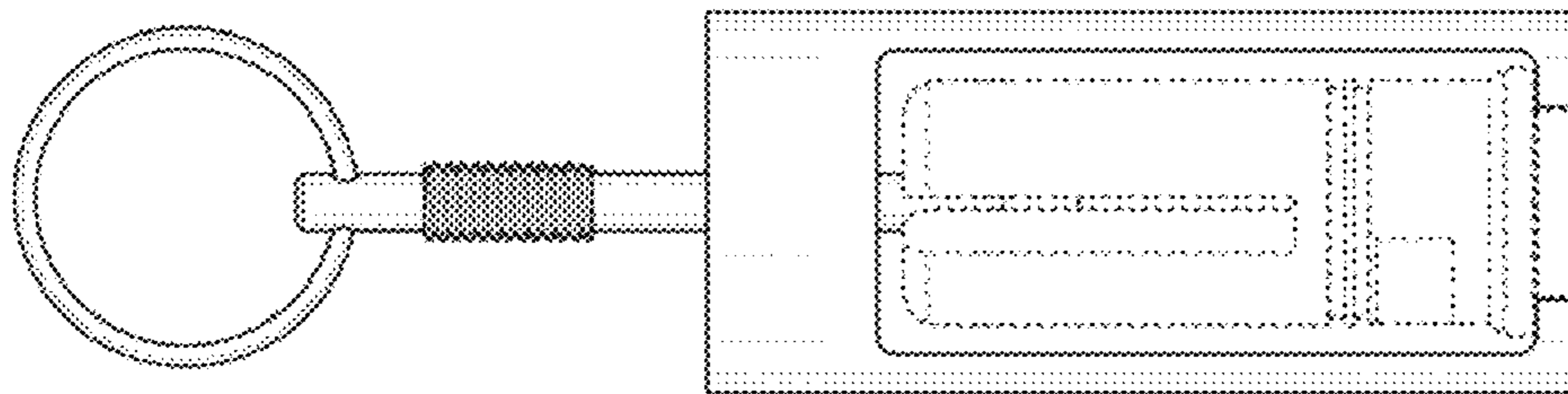


FIG. 8

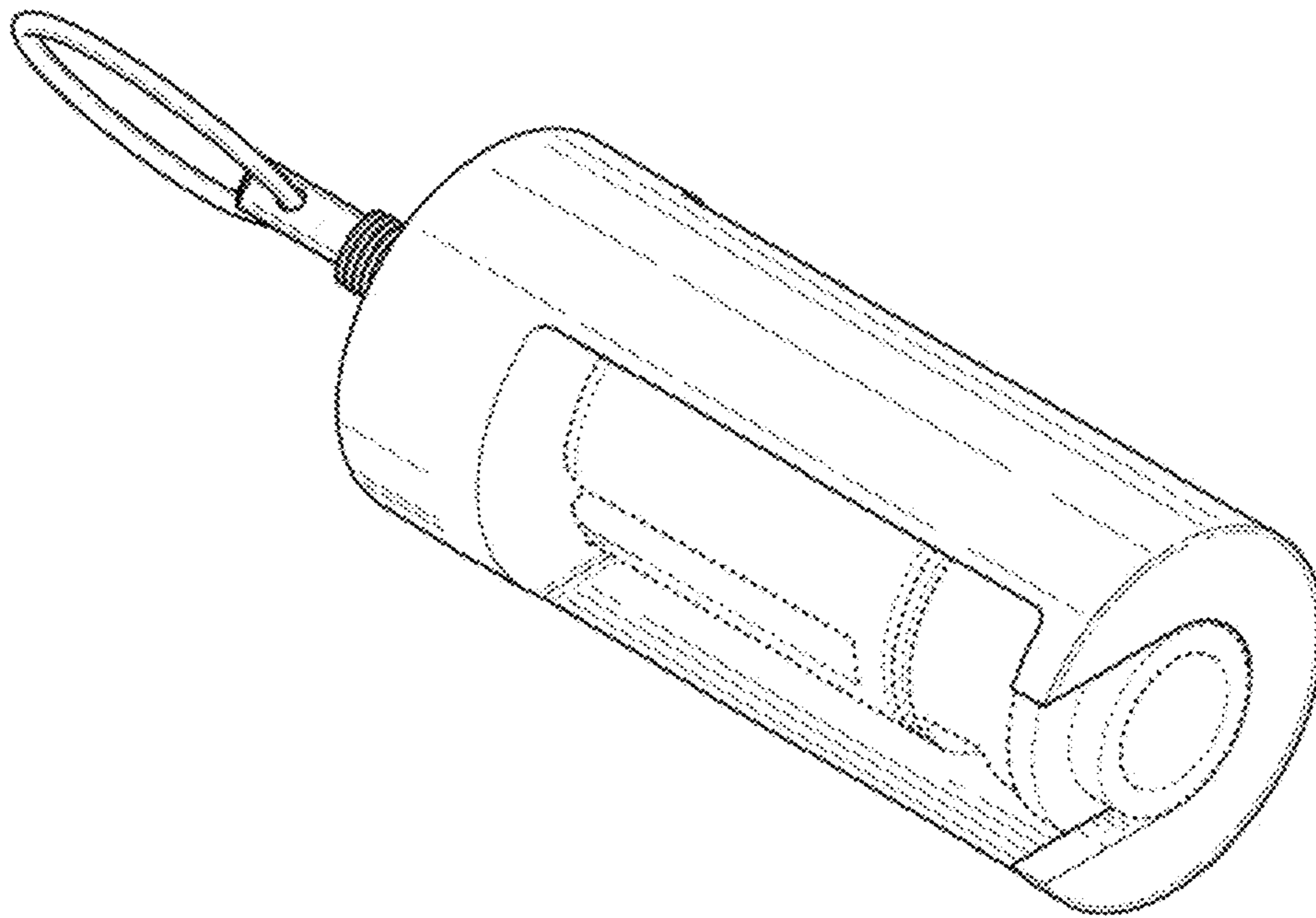


FIG. 9