



US00D874600S

(12) **United States Design Patent**  
**Cole**

(10) **Patent No.:** **US D874,600 S**

(45) **Date of Patent:** **\*\* Feb. 4, 2020**

- (54) **GUN BARREL END**
- (71) Applicant: **Palmetto State Armory, LLC**,  
Columbia, SC (US)
- (72) Inventor: **Jonathan Brent Cole**, Gaston, SC (US)
- (73) Assignee: **Palmetto State Armory, LLC**,  
Columbia, SC (US)

- 4,296,656 A \* 10/1981 Ernst ..... B25B 15/001  
81/429
- 4,336,698 A \* 6/1982 Hurd ..... F16B 41/005  
70/165
- D271,206 S \* 11/1983 Devey ..... D15/138
- 4,577,431 A \* 3/1986 Siemens ..... F41A 21/02  
164/46
- 4,669,212 A \* 6/1987 Jackson ..... B32B 15/01  
42/76.02

(Continued)

(\*\*) Term: **15 Years**

(21) Appl. No.: **29/590,505**

(22) Filed: **Jan. 11, 2017**

(51) **LOC (12) Cl.** ..... **22-01**

(52) **U.S. Cl.**  
USPC ..... **D22/108**

(58) **Field of Classification Search**  
USPC ..... D22/108-110, 199, 100, 101, 103, 104;  
D21/572-575; 33/241, 277, 362, 110,  
33/105 R; 42/51, 71.01, 75.01, 75.02,  
42/76.02-76.1, 79, 90, 94, 1.06, 107, 134,  
42/136, 139, 125, 72, 111; 89/40.06,  
89/41.19, 37.04, 33.04, 191.01, 200-204,  
89/14.1-14.8, 200-204; 124/92, 72, 74,  
124/66, 67; 102/450, 451, 452, 532, 461;  
181/223; D25/119-125; D26/38;  
D14/418; D7/672; D2/958; D8/397  
CPC ..... F41A 13/00; F41A 35/04; F41A 21/00;  
F41A 21/32; F41A 21/325; F41A 21/34;  
F41A 21/36; F41A 21/38; F41A 21/40;  
F41A 21/42; F41B 5/00; F41C 27/00  
See application file for complete search history.

(56) **References Cited**

**U.S. PATENT DOCUMENTS**

- 2,104,319 A \* 1/1938 Dicke ..... B21C 37/153  
42/76.01
- 3,155,003 A \* 11/1964 Ruth ..... F41A 21/36  
89/14.2

**OTHER PUBLICATIONS**

Omega Manufacturing AR-15 223 556 1/2x28 TPI Krinkov Style Muzzle Brake, Pressure Reducer, DeltaTeamTactical.com, [online], [site visited Apr. 11, 2018]. <URL: [https://www.deltateamtactical.com/Omega-Manufacturing-AR-15-223-556-12x28-TPI-Krinkov-Style-Muzzle-Brake-Pressure-Reducer\\_p\\_4410.html](https://www.deltateamtactical.com/Omega-Manufacturing-AR-15-223-556-12x28-TPI-Krinkov-Style-Muzzle-Brake-Pressure-Reducer_p_4410.html)> (Year: 2018).\*

(Continued)

*Primary Examiner* — T Chase Nelson  
*Assistant Examiner* — Jonathan J. Han  
(74) *Attorney, Agent, or Firm* — Burr & Forman LLP;  
Douglas L. Lineberry

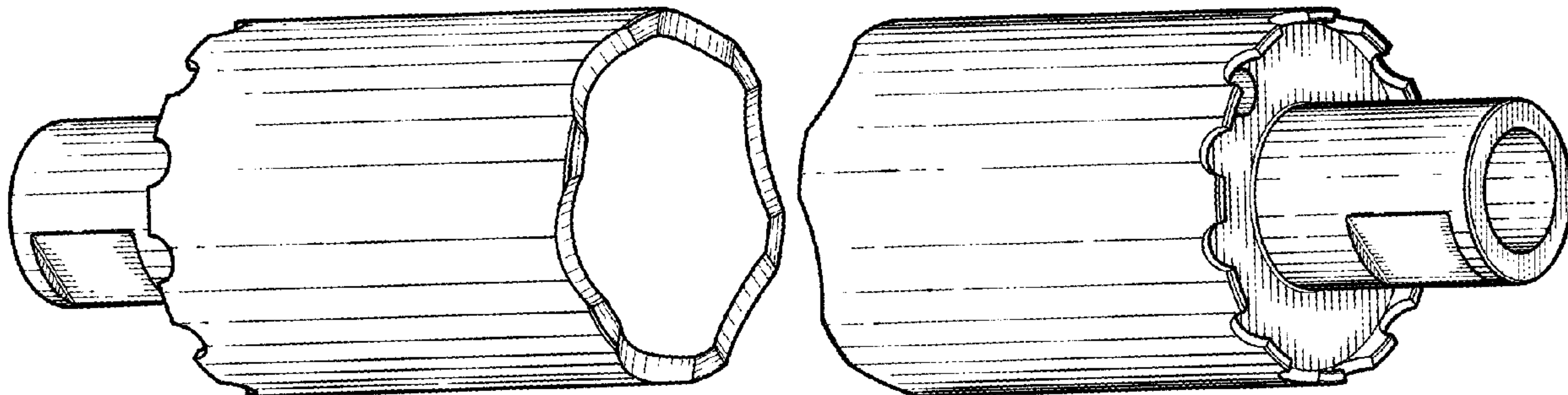
(57) **CLAIM**

The ornamental design for a gun barrel end, as shown and described.

**DESCRIPTION**

FIG. 1 is a front perspective view of the gun barrel end; FIG. 2 is a back perspective view of the gun barrel end; FIG. 3 is a front perspective view of the gun barrel end attached to a firearm. FIG. 4 is a back elevation view of the gun barrel end; FIG. 5 is a front elevation view of the gun barrel end; FIG. 6 is a top plan view of the gun barrel end; and, FIG. 7 is a left elevation view of the gun barrel end. The broken lines in FIG. 3 are used to illustrate unclaimed environment and form no part of the claimed design.

**1 Claim, 3 Drawing Sheets**



(56)

References Cited

U.S. PATENT DOCUMENTS

4,879,942 A \* 11/1989 Cave ..... F41A 21/36  
89/14.3  
5,048,572 A \* 9/1991 Levine ..... B29C 61/0608  
138/110  
5,092,223 A \* 3/1992 Hudson ..... F41A 21/38  
89/14.2  
D330,664 S \* 11/1992 Johnson ..... D7/693  
5,279,200 A \* 1/1994 Rose ..... F41A 21/32  
42/97  
D379,420 S \* 5/1997 Standlee ..... D8/70  
5,698,810 A \* 12/1997 Rose ..... F41A 21/32  
42/97  
D416,267 S \* 11/1999 Reilly ..... D15/139  
D597,571 S \* 8/2009 Darr ..... D15/139  
D605,921 S \* 12/2009 Cowan ..... D8/70  
7,836,809 B2 \* 11/2010 Noveske ..... F41A 21/34  
89/14.2  
D632,751 S \* 2/2011 Bowers ..... D22/108  
8,047,115 B2 \* 11/2011 Noveske ..... F41A 21/34  
89/14.2  
D674,943 S \* 1/2013 Sheikh ..... D22/117  
D679,342 S \* 4/2013 Coulter ..... D21/573  
9,134,084 B1 \* 9/2015 Harrison ..... F41A 21/36  
9,163,888 B1 \* 10/2015 DiOrio ..... F41A 3/24

D746,401 S \* 12/2015 Harrison ..... D22/108  
9,541,344 B2 \* 1/2017 Moon ..... F41A 21/36  
D803,445 S \* 11/2017 Inskeep ..... D26/49  
9,921,021 B1 \* 3/2018 Graham, II ..... F41A 21/325  
2006/0277812 A1 \* 12/2006 Cole ..... F41A 35/04  
42/96  
2011/0000122 A1 \* 1/2011 Camarillo ..... F41A 35/04  
42/96  
2012/0160064 A1 \* 6/2012 Moss ..... B25B 13/06  
81/125  
2017/0321985 A1 \* 11/2017 Bray ..... F41A 21/34

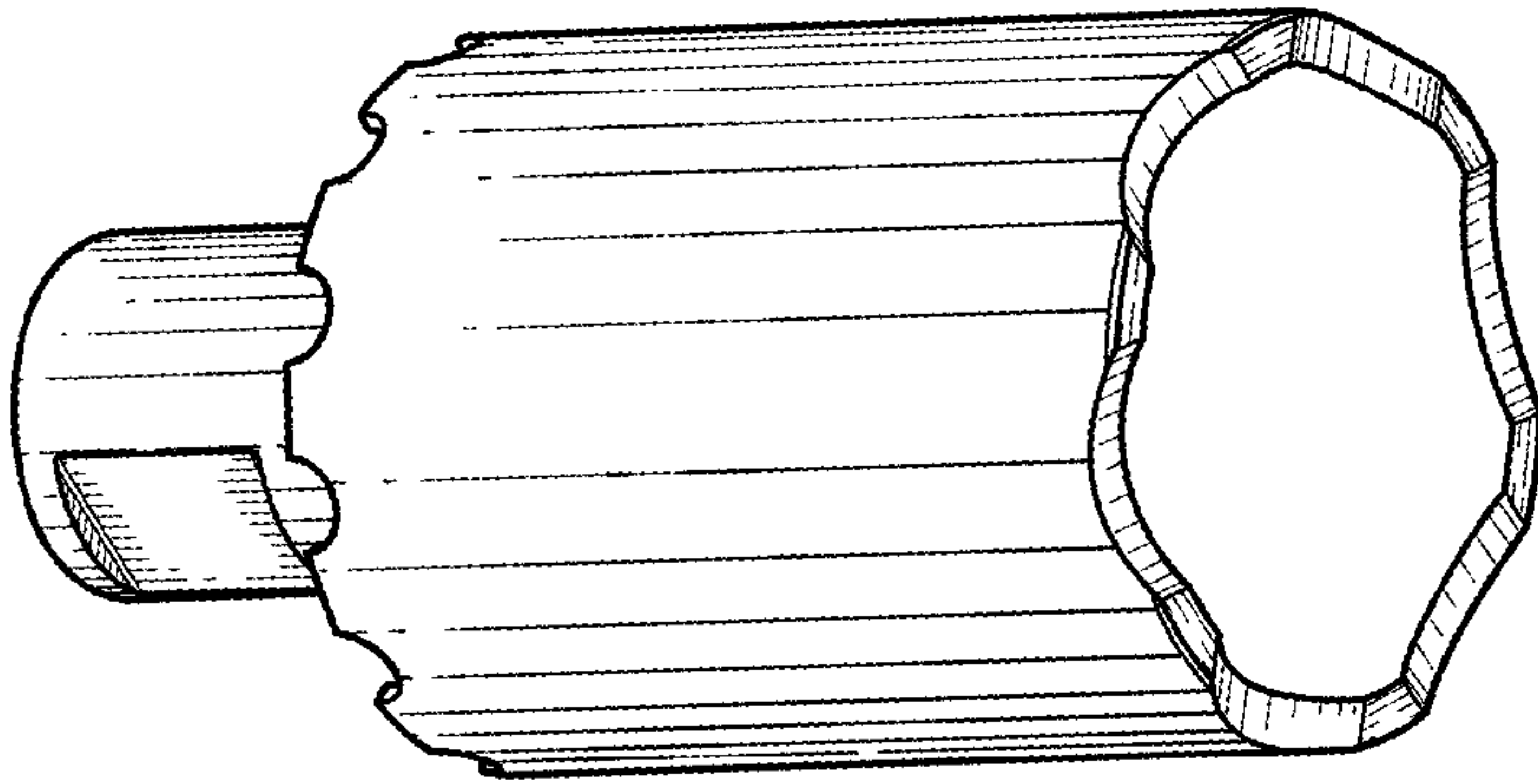
OTHER PUBLICATIONS

Troy Industries Claymore Muzzle Brake 5.56mm AR-15 1/2"-28 Thread Matte, MidwayUSA.com, [online], [site visited Apr. 11, 2018]. <URL: <https://www.midwayusa.com/product/1003406859/troy-industries-claymore-muzzle> (Year: 2018).\*

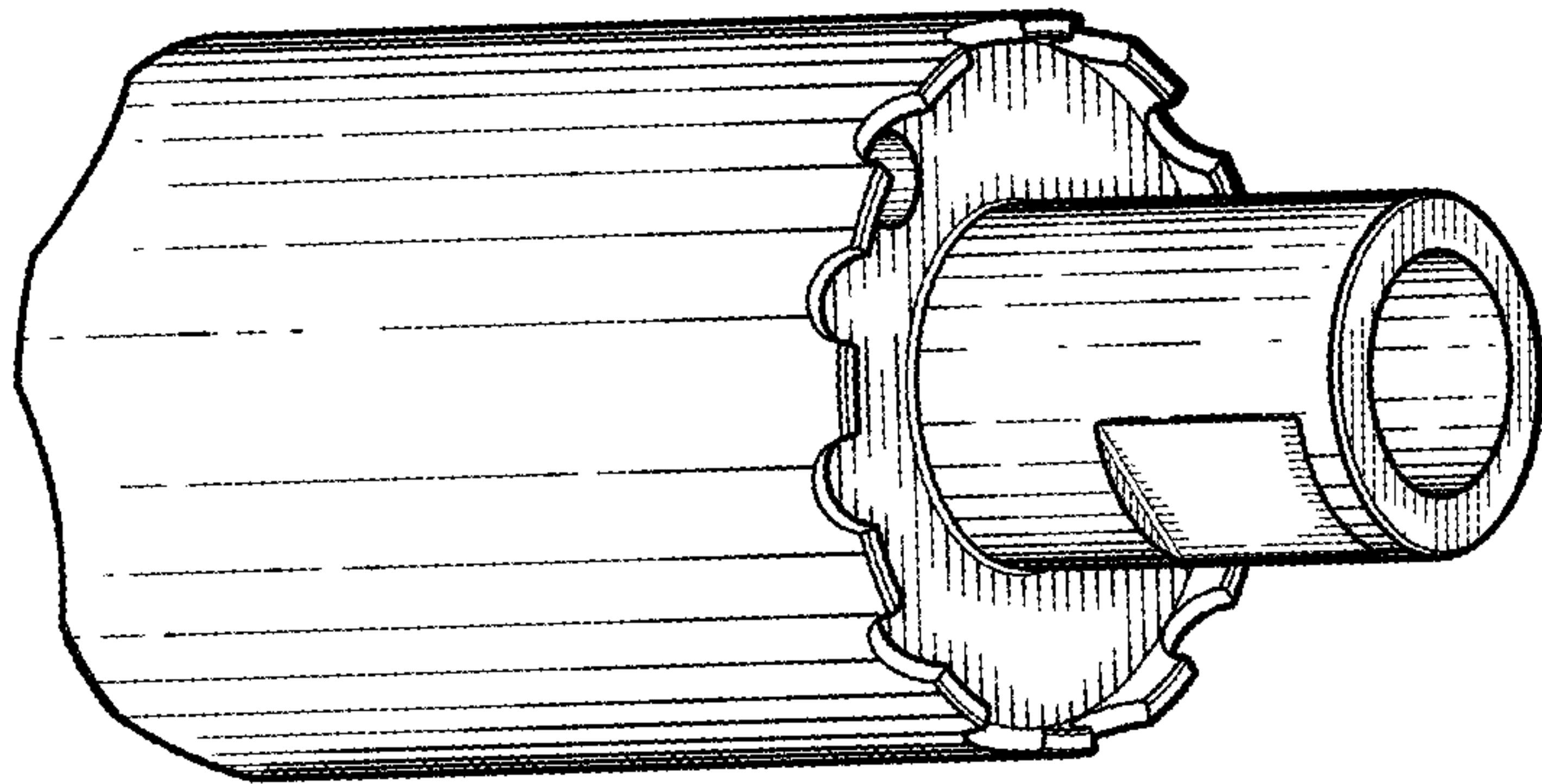
AR-15 Muzzle Comp with QD Blast Shield, BrownCoatTactical.com, [online], [site visited Apr. 11, 2018]. <URL: <https://www.browncoattactical.com/product-p/blast.htm>> (Year: 2018).\*

V Seven Helios Muzzle Device—DLC Ti, RainierArms.com, [online], [site visited Apr. 11, 2018]. <URL: <https://www.rainierarms.com/v-seven-helios-muzzle-device-dlc-ti/>> (Year: 2018).\*

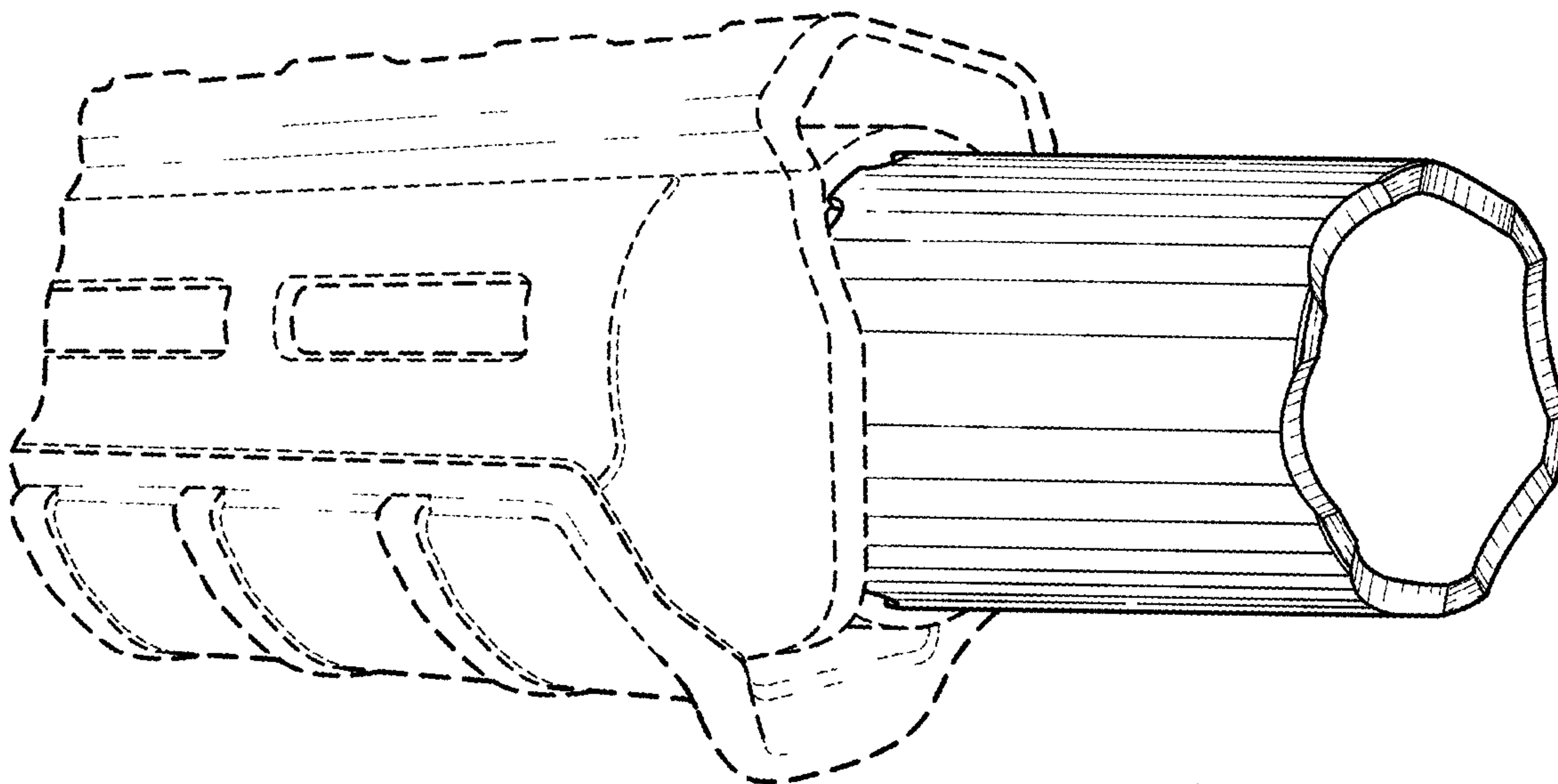
\* cited by examiner



*Fig. 1*

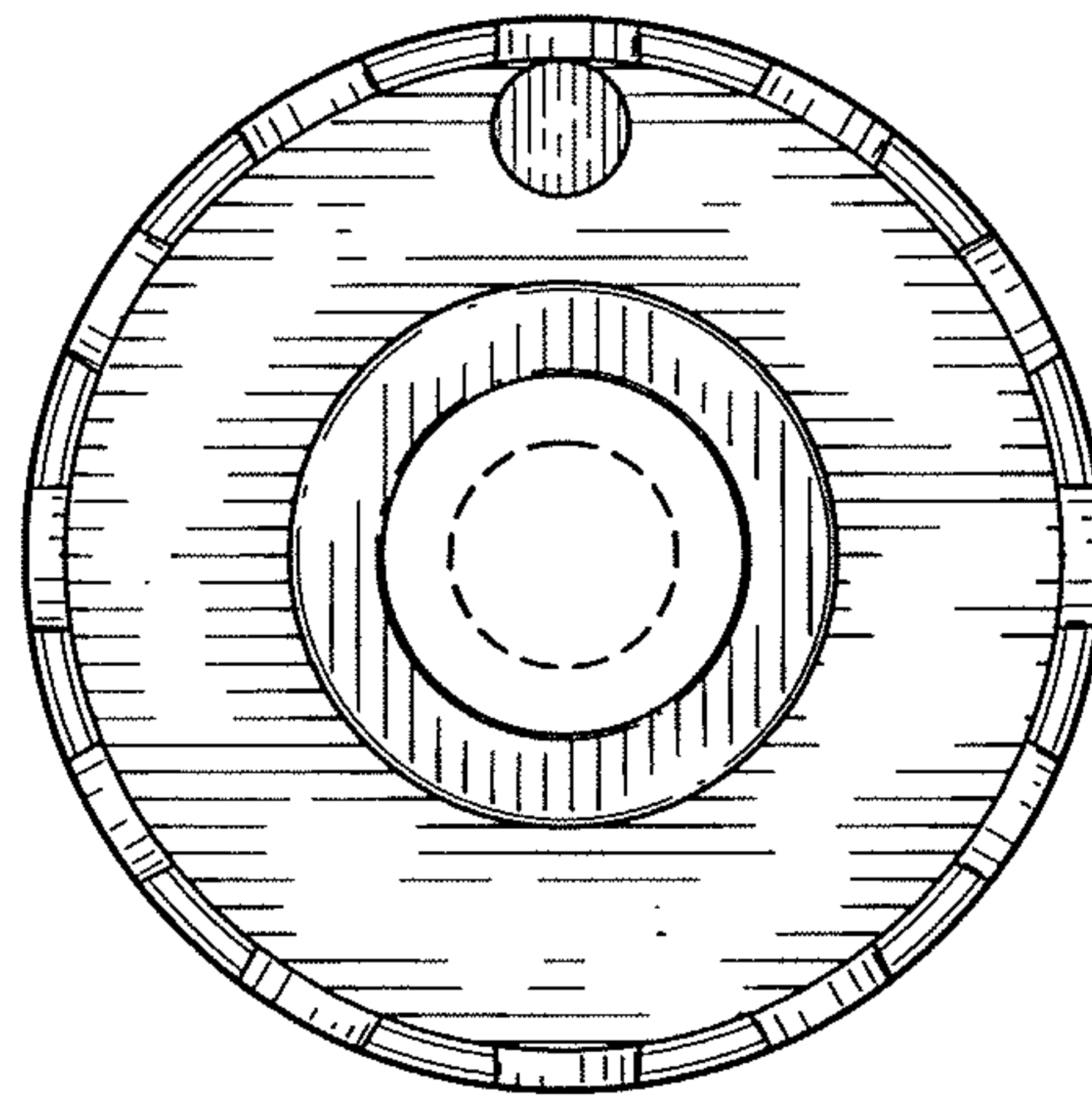


*Fig. 2*

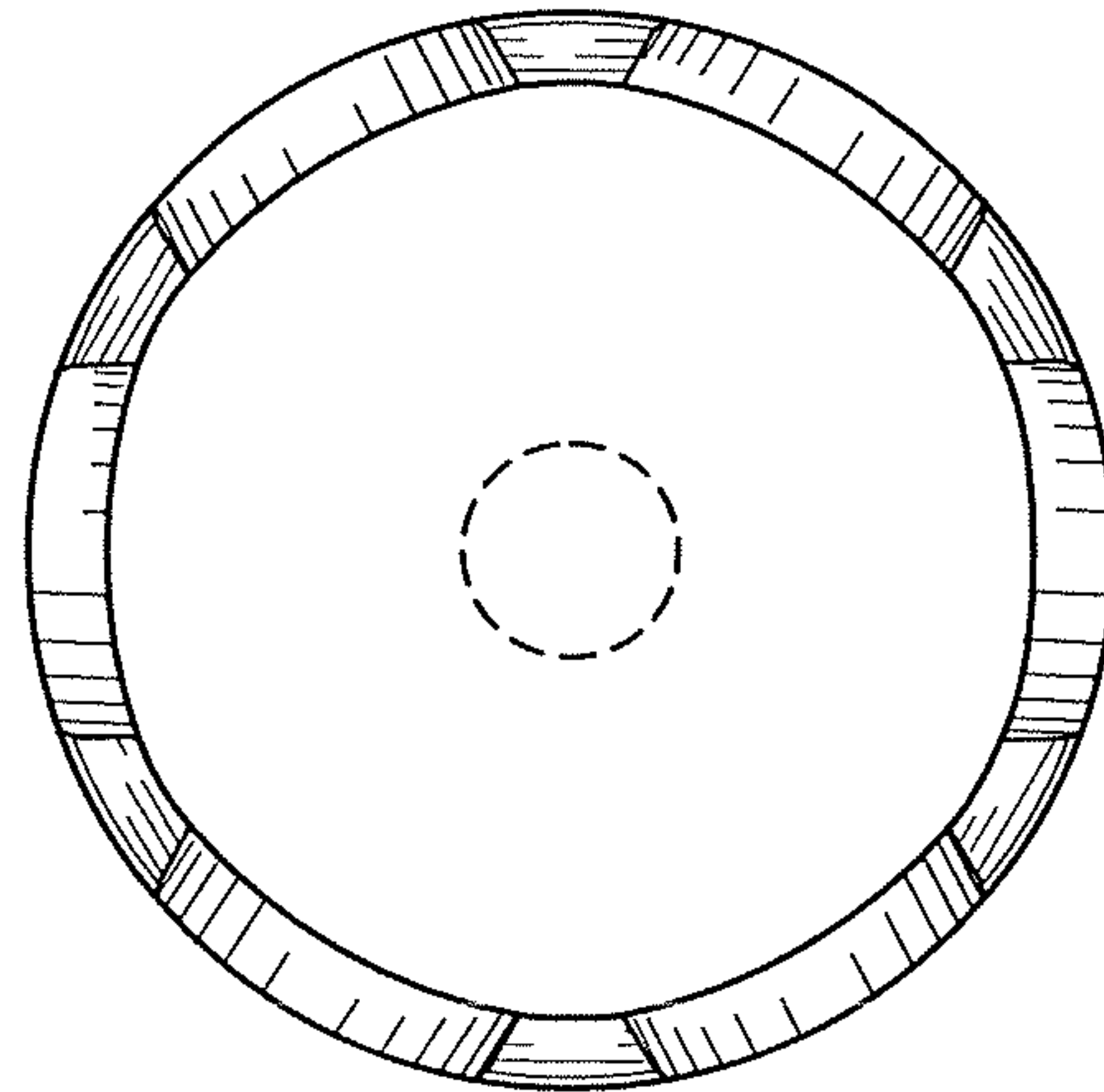


*Fig. 3*

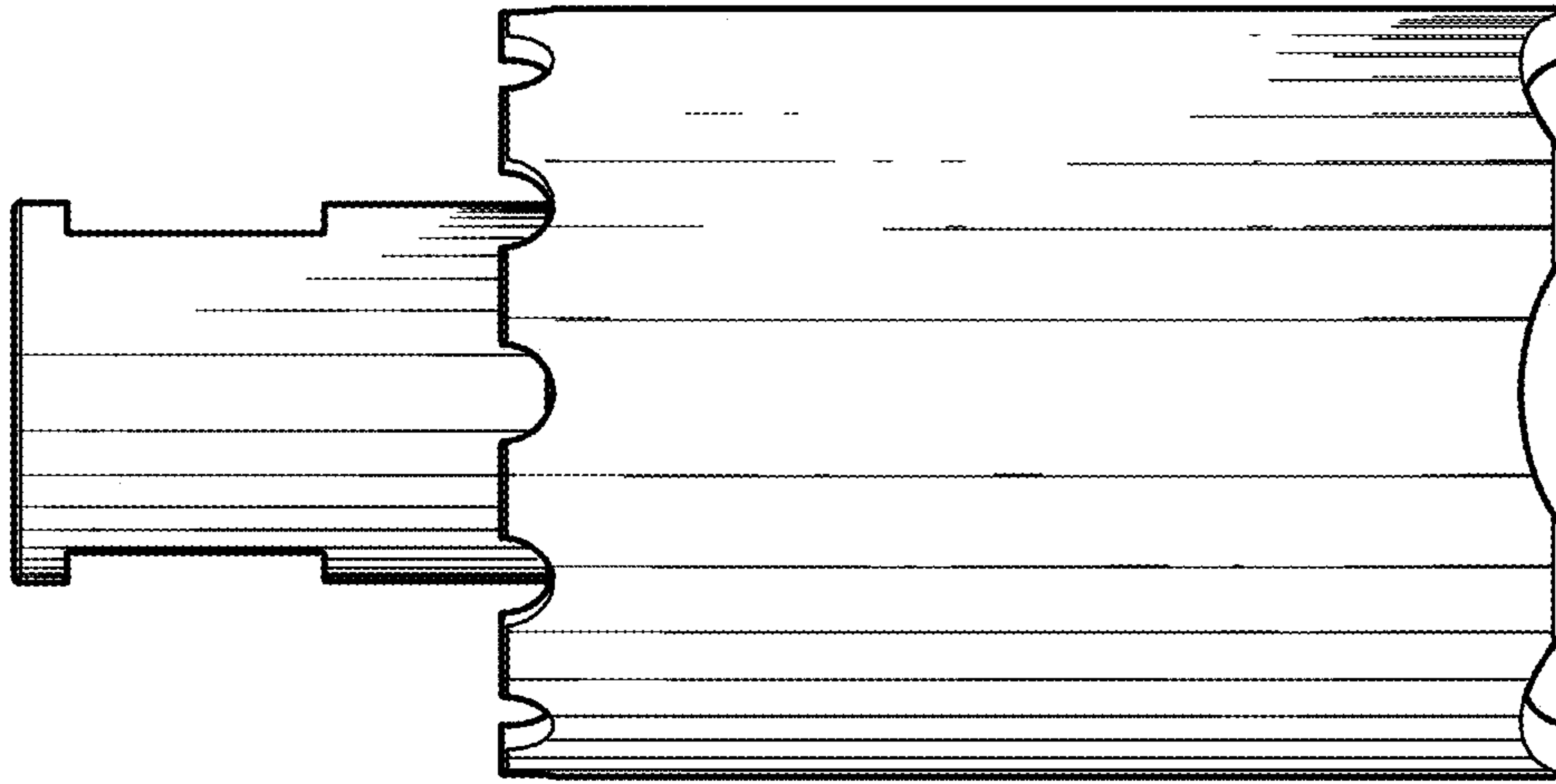




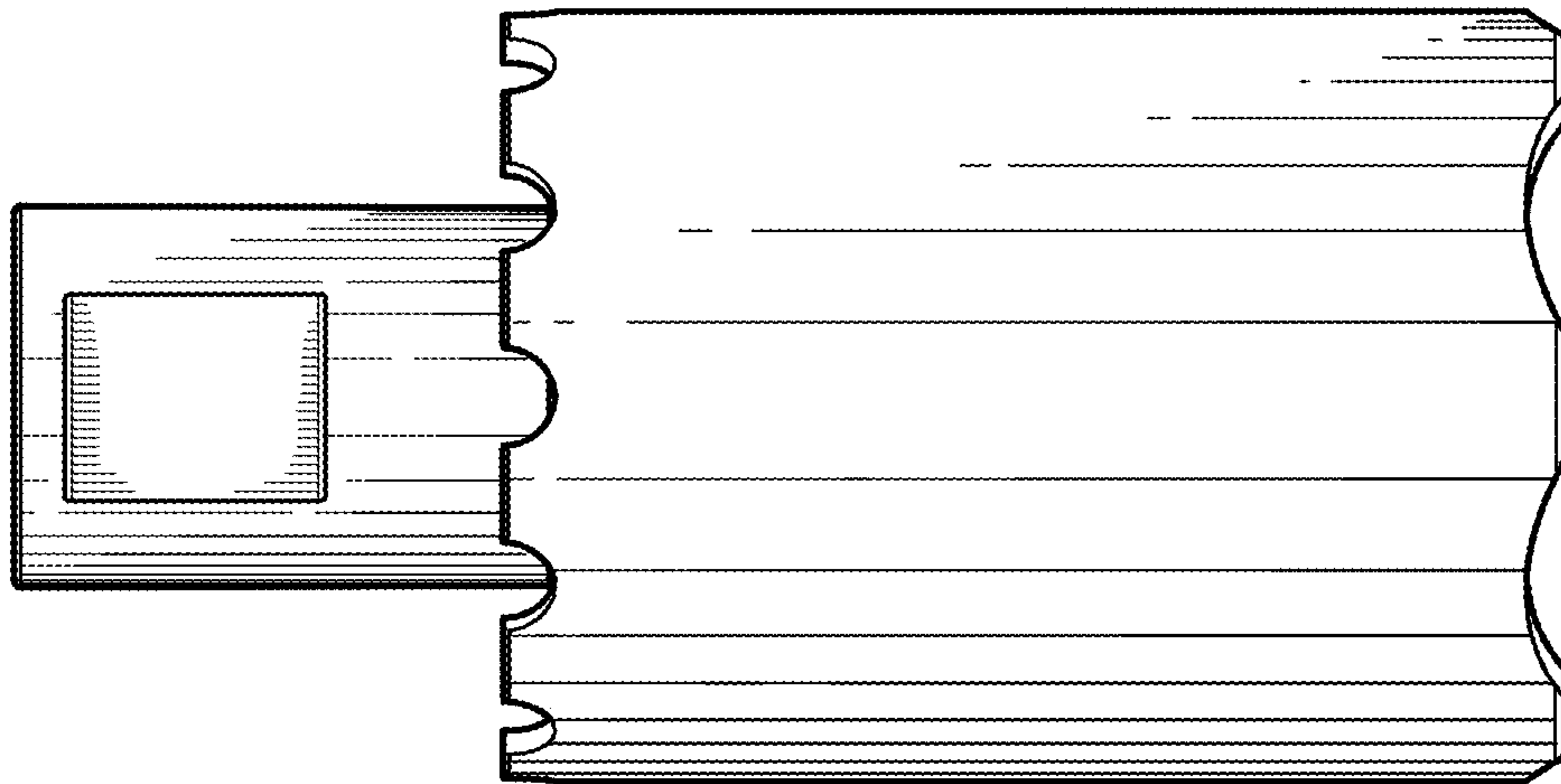
*Fig. 4*



*Fig. 5*



*Fig. 6*



*Fig. 7*