



US00D874599S

(12) **United States Design Patent**
Kjellberg

(10) **Patent No.:** **US D874,599 S**

(45) **Date of Patent:** **** Feb. 4, 2020**

(54) **CONCEALABLE FIREARM**

(71) Applicant: **Ideal Conceal Inc.**, Monticello, MN (US)

(72) Inventor: **Kirk Kjellberg**, Monticello, MN (US)

(73) Assignee: **Ideal Conceal, Inc.**, Monticello, MN (US)

(**) Term: **15 Years**

(21) Appl. No.: **29/649,351**

(22) Filed: **May 29, 2018**

Related U.S. Application Data

(63) Continuation of application No. 29/576,998, filed on Sep. 8, 2016, now Pat. No. Des. 819,157.

(51) **LOC (12) Cl.** **22-01**

(52) **U.S. Cl.**
USPC **D22/104**

(58) **Field of Classification Search**
USPC D22/104, 108
CPC F41C 3/14; F41C 3/16; F41C 3/04
See application file for complete search history.

(56) **References Cited**

U.S. PATENT DOCUMENTS

- 1,637,079 A * 7/1927 Karner, Jr. F41A 19/22
42/1.08
- 4,489,515 A * 12/1984 Numbers F41C 3/00
42/40
- 4,722,148 A * 2/1988 Walker F41A 19/23
42/40
- D400,633 S * 11/1998 Chapman D22/100
- 6,655,065 B1 * 12/2003 Chapman F41C 3/16
42/44
- D686,685 S * 7/2013 Kohout D22/104

(Continued)

OTHER PUBLICATIONS

<http://www.thefirearmblog.com/blog/2017/08/04/trailblazer-firearms-announces-folding-lifecard-pistol/>[Mar. 13, 2018 12:30:25 PM] (Year: 2017) (5 pages).

Primary Examiner — Michael A. Pratt

(74) *Attorney, Agent, or Firm* — Winthrop & Weinstine, P.A.; Nadeem W. Schwen

(57) **CLAIM**

I claim the ornamental design for concealable firearm, as shown.

DESCRIPTION

FIG. 1 is an isometric view of a concealable firearm in an in-use position.

FIG. 2 is a front plan view of the concealable firearm depicted in FIG. 1.

FIG. 3 is a rear plan view of the concealable firearm depicted in FIG. 1.

FIG. 4 is a top plan view of the concealable firearm depicted in FIG. 1.

FIG. 5 is a bottom plan view of the concealable firearm depicted in FIG. 1.

FIG. 6 is a right side elevation view of the concealable firearm depicted in FIG. 1.

FIG. 7 is a left side elevation view of the concealable firearm depicted in FIG. 1.

FIG. 8 is a front plan view of the concealable firearm depicted in FIG. 1 in its stored position.

FIG. 9 is a rear plan view of the concealable firearm depicted in FIG. 8.

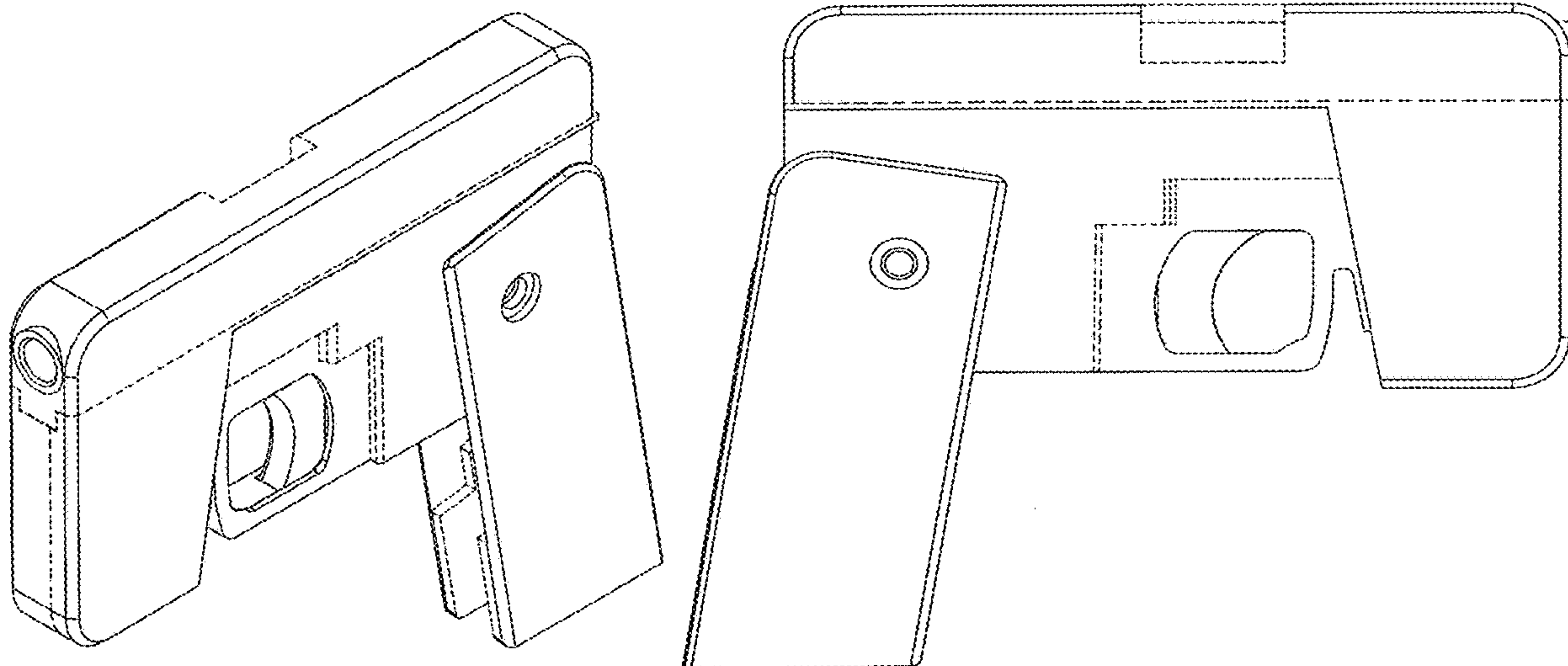
FIG. 10 is a top plan view of the concealable firearm depicted in FIG. 8.

FIG. 11 is a bottom plan view of the concealable firearm depicted in FIG. 8.

FIG. 12 is a right side elevation view of the concealable firearm depicted in FIG. 8; and,

FIG. 13 is a left side elevation view of the concealable firearm depicted in FIG. 8.

1 Claim, 13 Drawing Sheets



(56)

References Cited

U.S. PATENT DOCUMENTS

8,495,831 B1 *	7/2013	Kohout	F41C 3/00 42/42.03
D707,780 S *	6/2014	Heizer	D22/104
D732,625 S *	6/2015	Heizer	F41A 3/86 D22/104
9,062,929 B2 *	6/2015	Kohout	F41C 3/00
9,127,903 B2 *	9/2015	Kresser	F41C 3/00
2017/0205186 A1 *	7/2017	Kjellberg	F41C 9/02

* cited by examiner

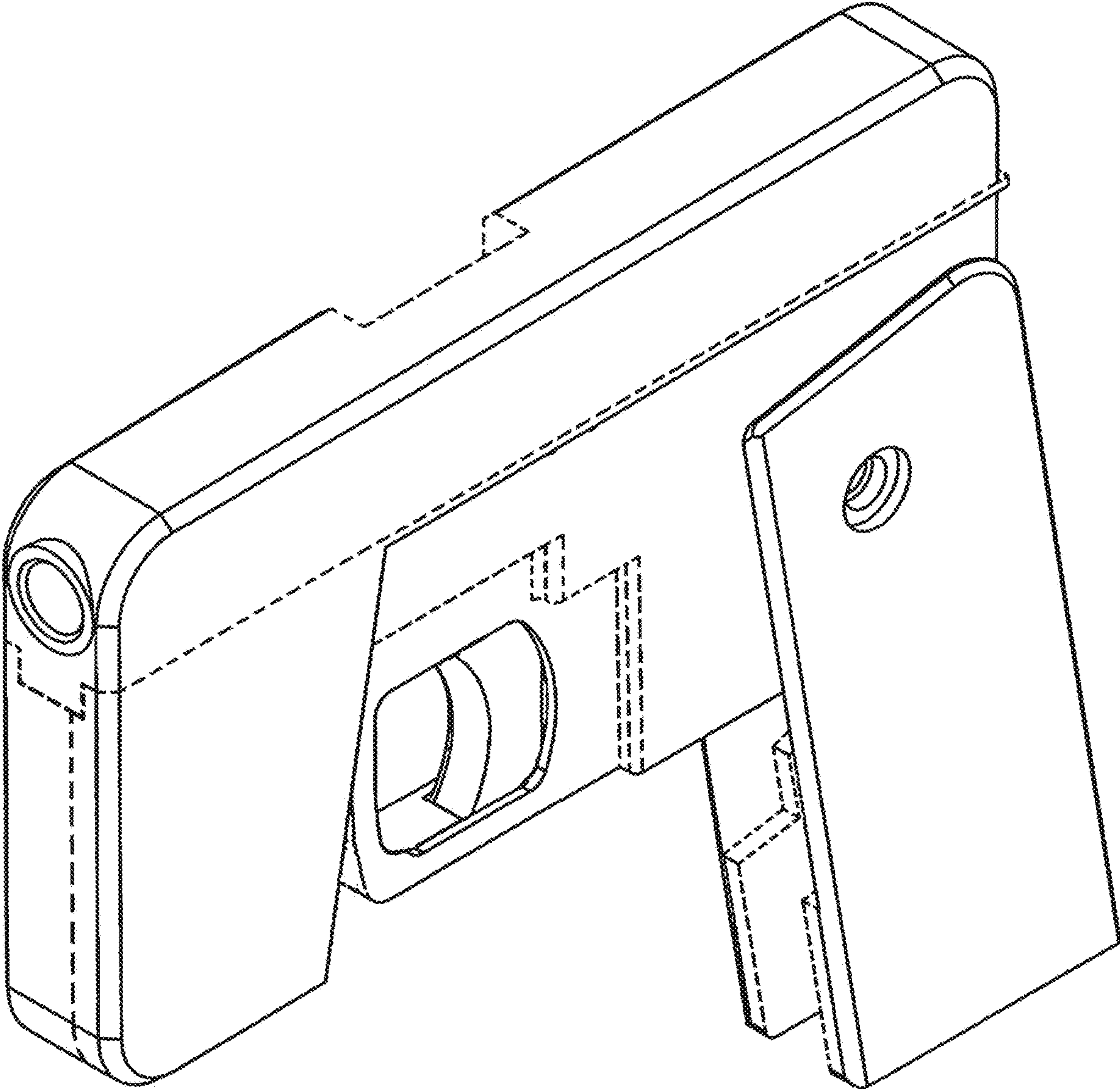


FIG. 1

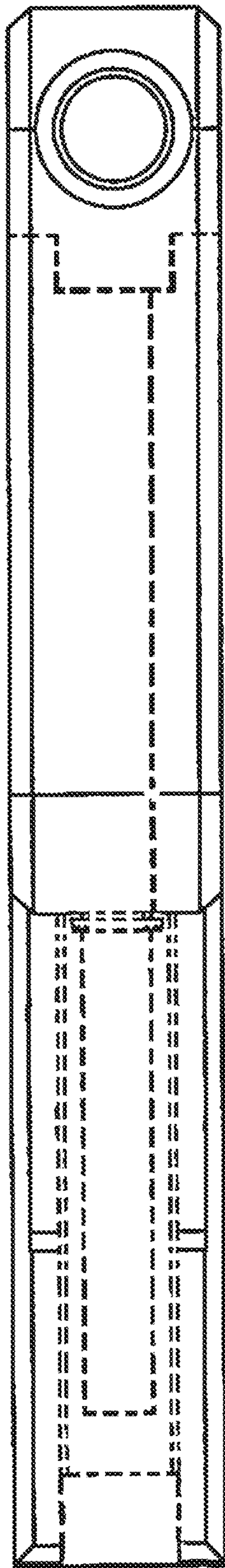


FIG. 2

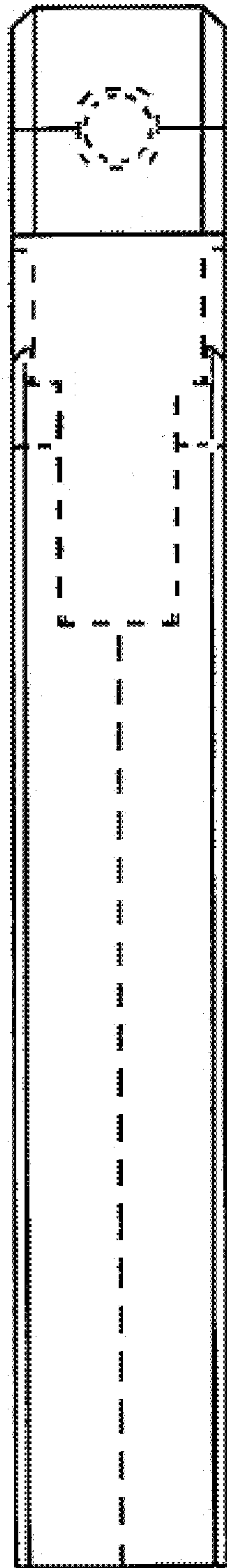


FIG. 3

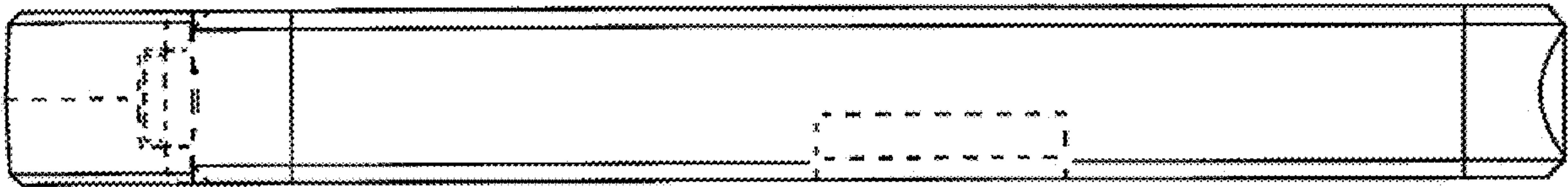


FIG. 4

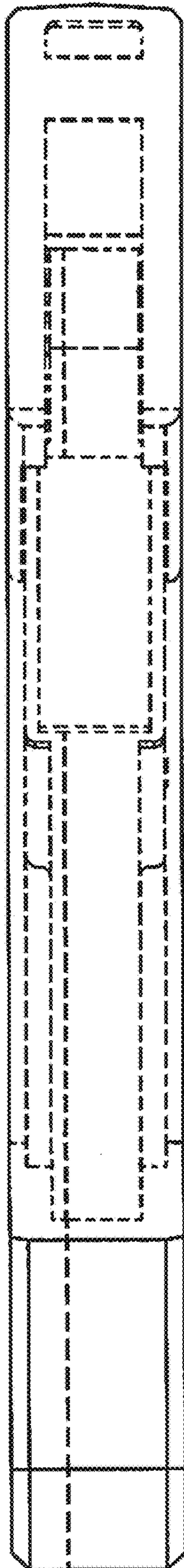


FIG. 5

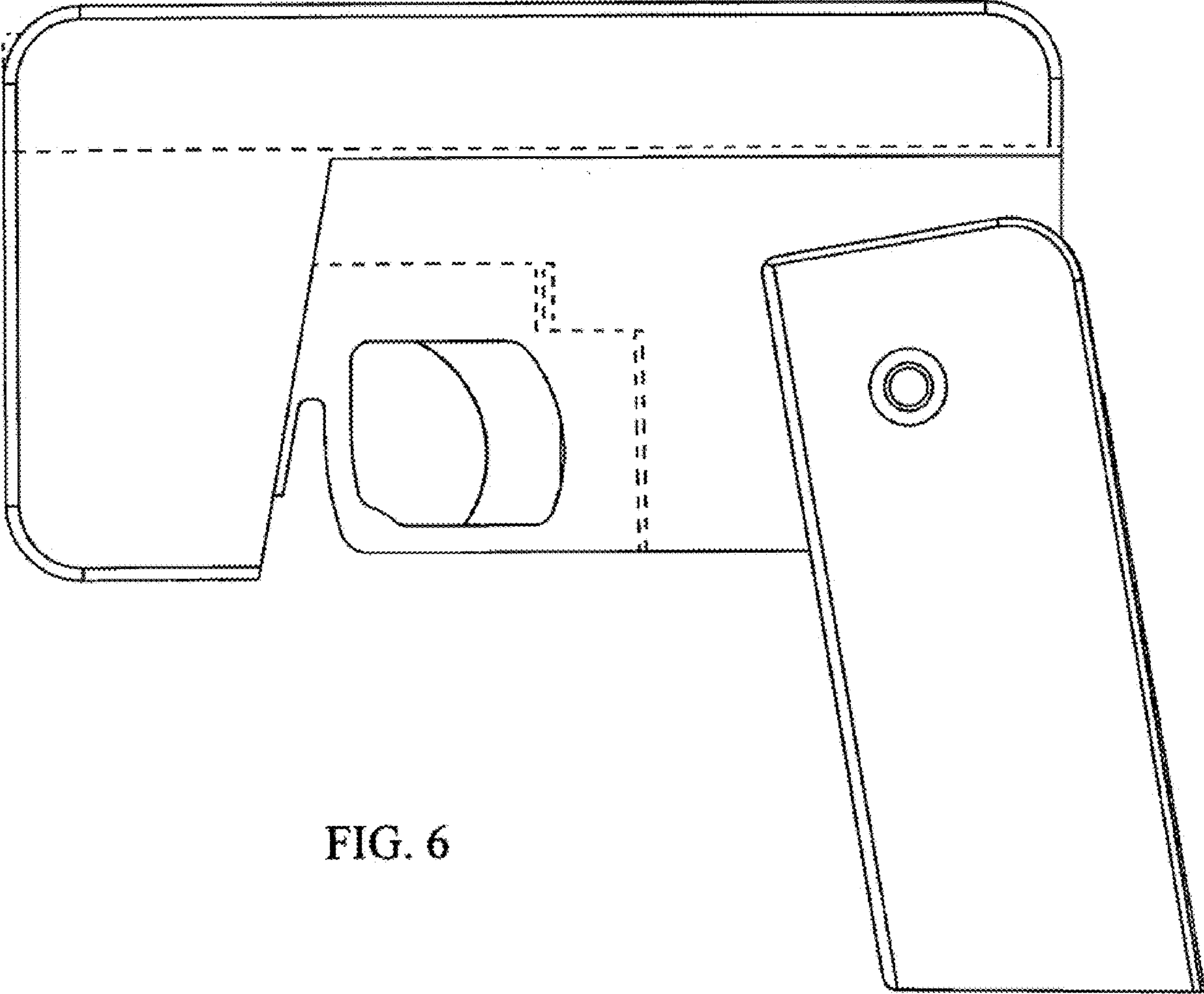


FIG. 6

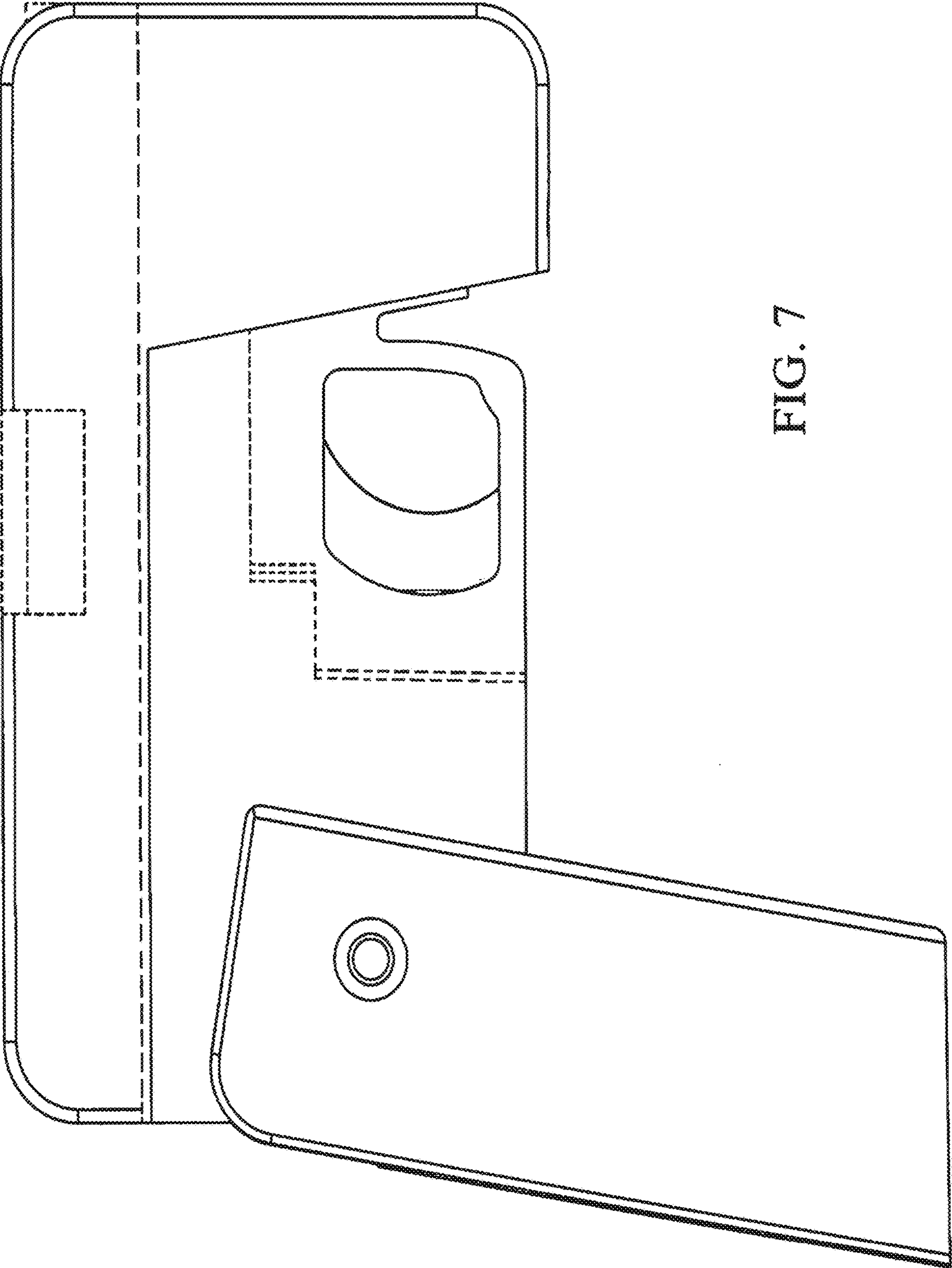


FIG. 7

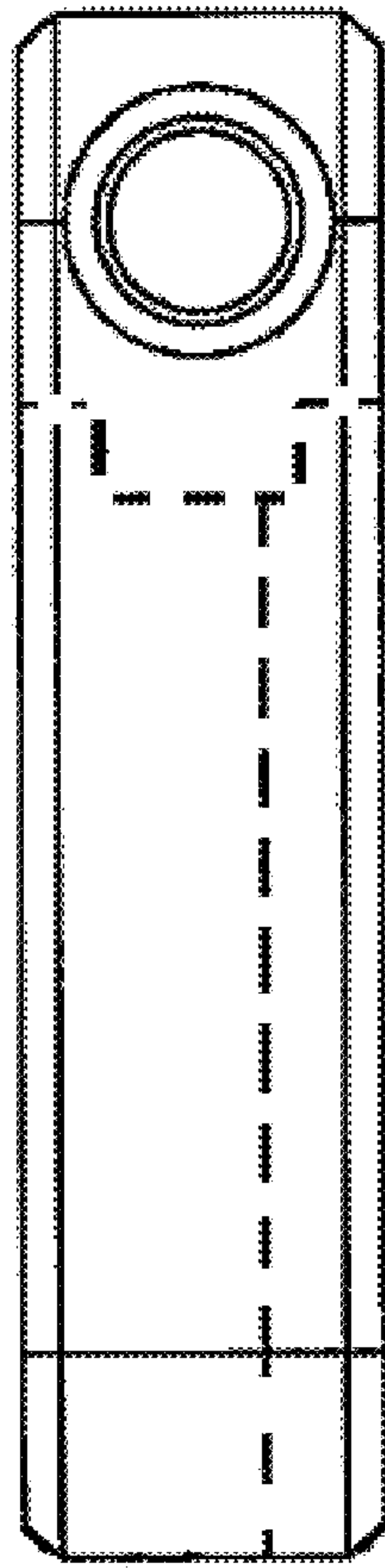


FIG. 8

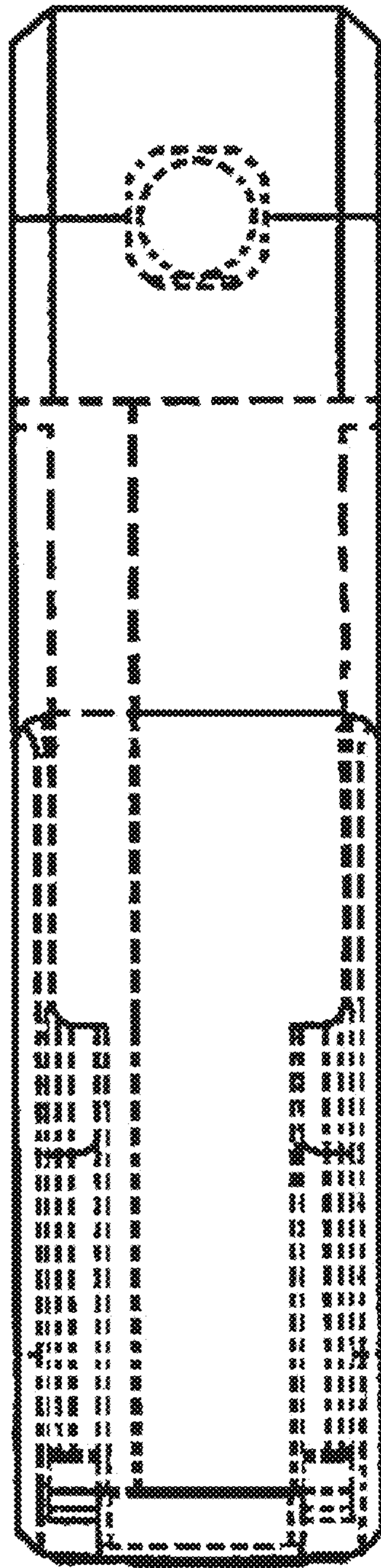


FIG. 9

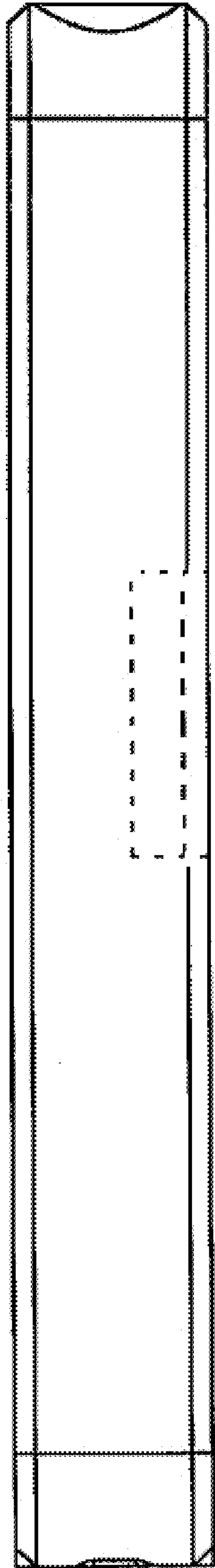


FIG. 10

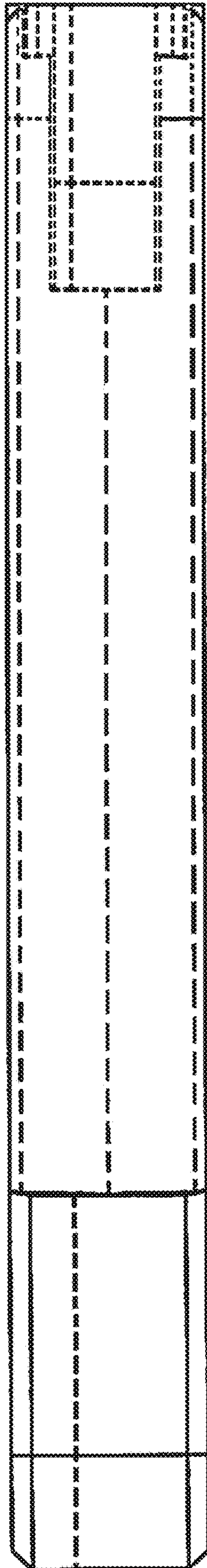


FIG. 11

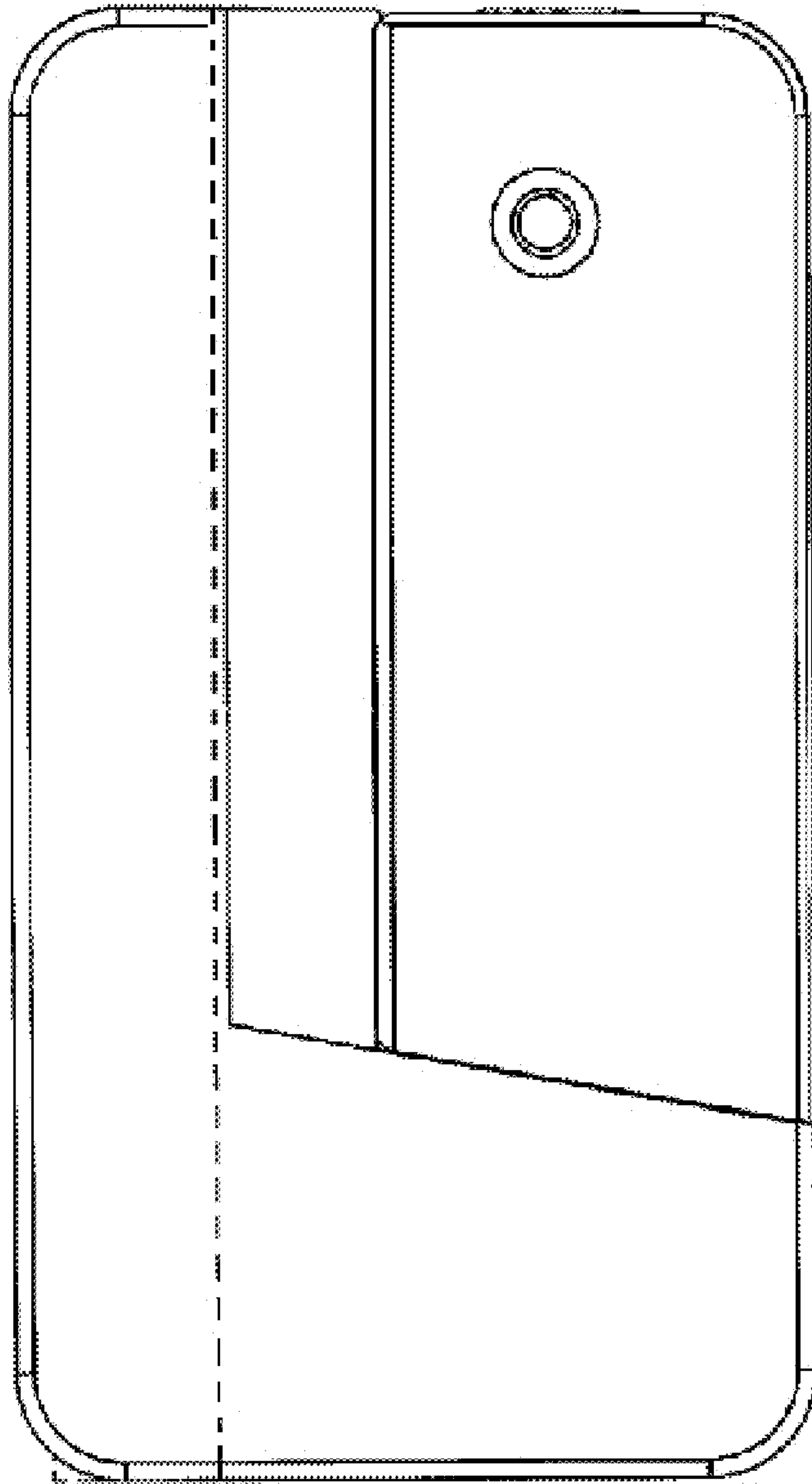


FIG. 12

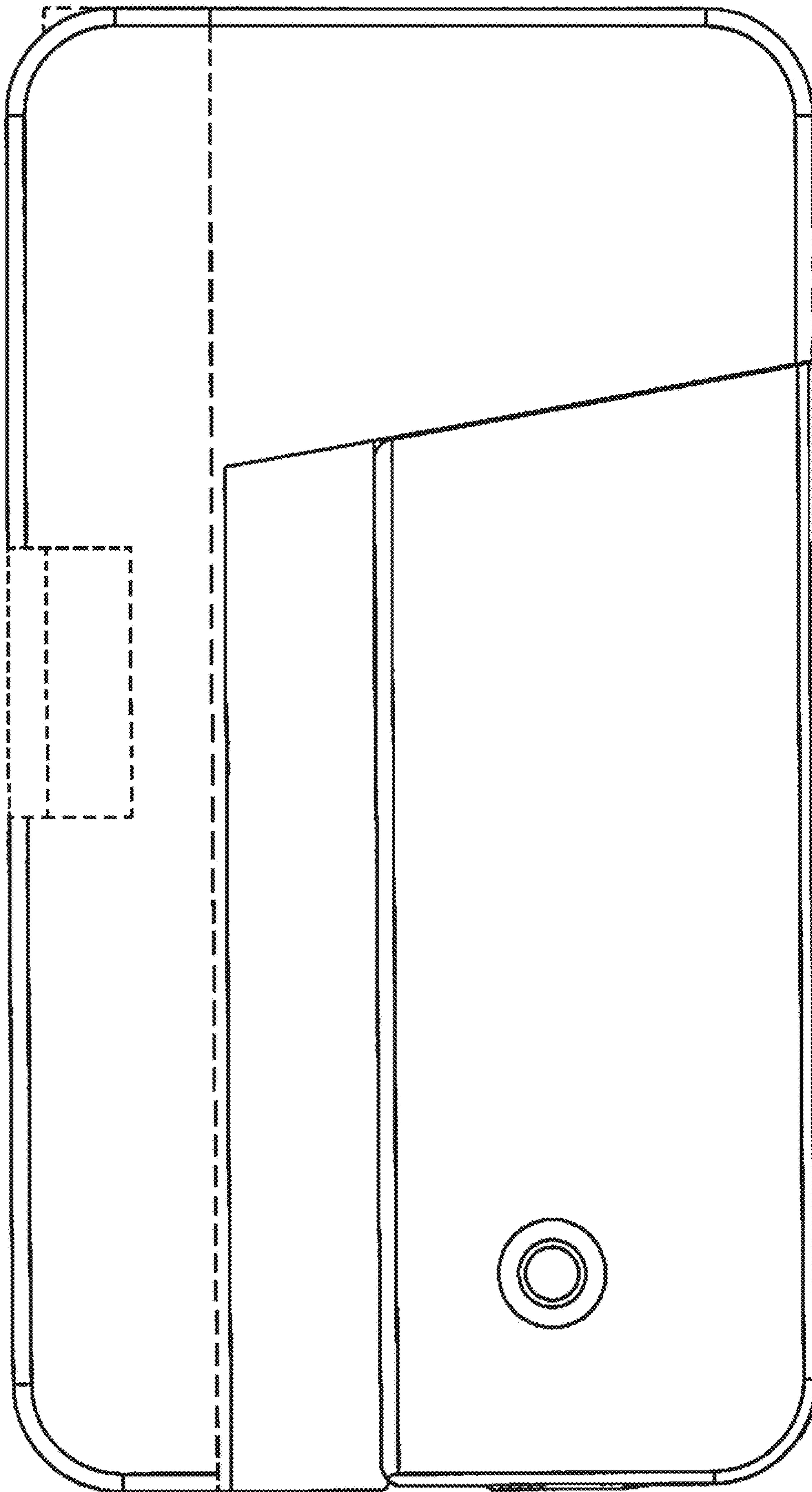


FIG. 13