



US00D874598S

(12) **United States Design Patent**
Hsu et al.

(10) **Patent No.:** **US D874,598 S**

(45) **Date of Patent:** **** Feb. 4, 2020**

(54) **INFLATABLE ICE CREAM FLOAT**

(71) Applicant: **Intex Marketing Ltd.**, Tortola (VG)

(72) Inventors: **Yaw Yuan Hsu**, Fujian (CN); **Kun Chao Hsu**, Fujian (CN)

(73) Assignee: **Intex Marketing Ltd.**, Tortola (VG)

(**) Term: **15 Years**

(21) Appl. No.: **29/648,167**

(22) Filed: **May 18, 2018**

(30) **Foreign Application Priority Data**

Nov. 21, 2017 (CN) 2017 3 0575716

(51) **LOC (12) Cl.** **21-05**

(52) **U.S. Cl.**
USPC **D21/808**

(58) **Field of Classification Search**
USPC D21/803, 808; D6/588, 596–597;
D1/116–119, 106, 127, 128, 129;
D30/160

CPC A63H 3/06
See application file for complete search history.

(56) **References Cited**

U.S. PATENT DOCUMENTS

- D246,509 S * 11/1977 Hytken D1/101
- D300,380 S * 3/1989 Groobert D1/102
- D395,230 S * 6/1998 Slater D1/118
- D434,204 S * 11/2000 MacPhee D1/101
- D438,795 S * 3/2001 Terrasi 426/104
- D442,762 S * 5/2001 MacPhee D1/101
- D490,588 S * 6/2004 Baker D1/102
- D510,960 S * 10/2005 Choi D21/402

- D517,421 S * 3/2006 Terrasi D1/102
- D527,520 S * 9/2006 Green D3/271.1
- D747,117 S * 1/2016 Lau D6/393
- D802,074 S * 11/2017 Osimo D21/803

OTHER PUBLICATIONS

Mattress—air mattress—ice—Icecream—Ice Cream for absolute bathing fun: Published May 11, 2016[online], site visited: Jan. 31, 2019 Available from Internet URL: https://www.amazon.de/Intex-Luftmatratze-Badeinsel-Eiscreme-224x107cm/dp/B07B9GKKNZ/ref=sr_1_1?ie=UTF8&qid=1549298658.
Intex, Popsicle Float and Ice Cream Cone Float, 2017 Endless Summer Catalog, p. 55, Copyright 2016.

* cited by examiner

Primary Examiner — Jack Reickel

Assistant Examiner — Melvin L Davis

(74) *Attorney, Agent, or Firm* — Faegre Baker Daniels LLP

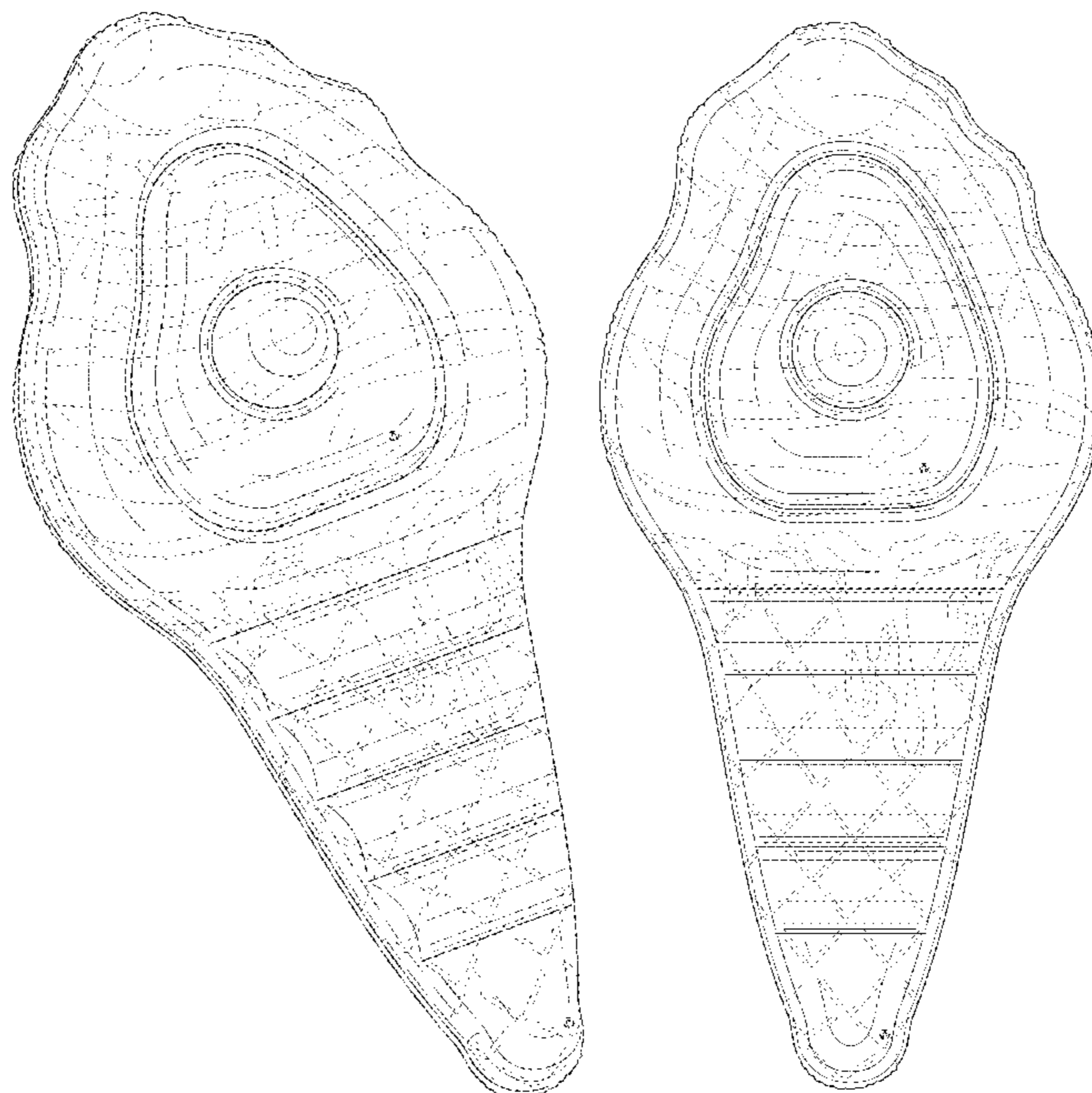
(57) **CLAIM**

We claim the ornamental design for an inflatable ice cream float, as shown and described.

DESCRIPTION

FIG. 1 is a perspective view of an inflatable ice cream float; FIG. 2 is a top plan view thereof; FIG. 3 is a bottom plan view thereof; FIG. 4 is a left side elevational view thereof; FIG. 5 is a right side elevational view thereof; FIG. 6 is a front side elevational view thereof; and, FIG. 7 is a rear side elevational view thereof. The broken lines in FIGS. 1-7 represent portions of the inflatable ice cream float that form no part of the claimed design.

1 Claim, 5 Drawing Sheets



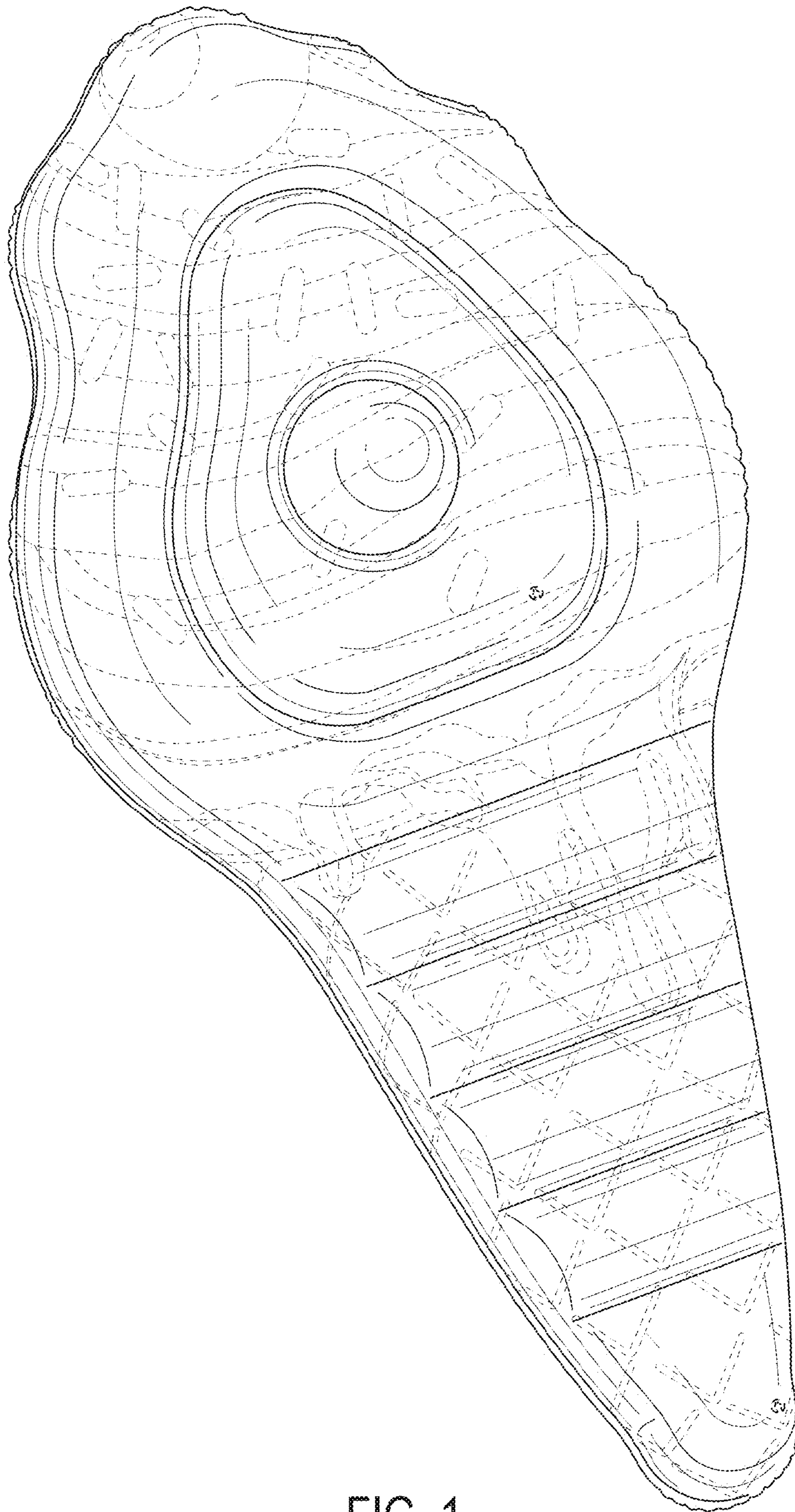


FIG. 1

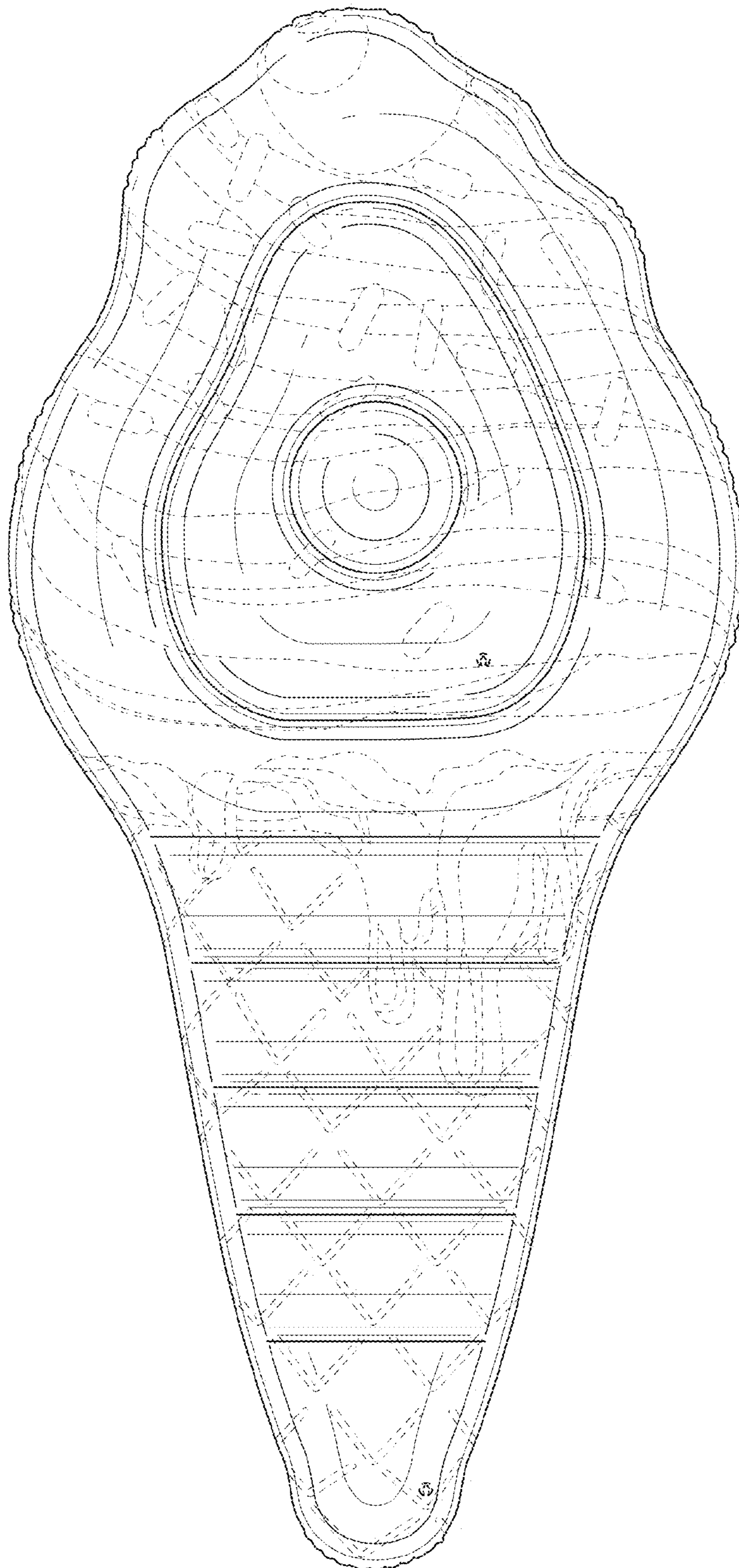


FIG. 2

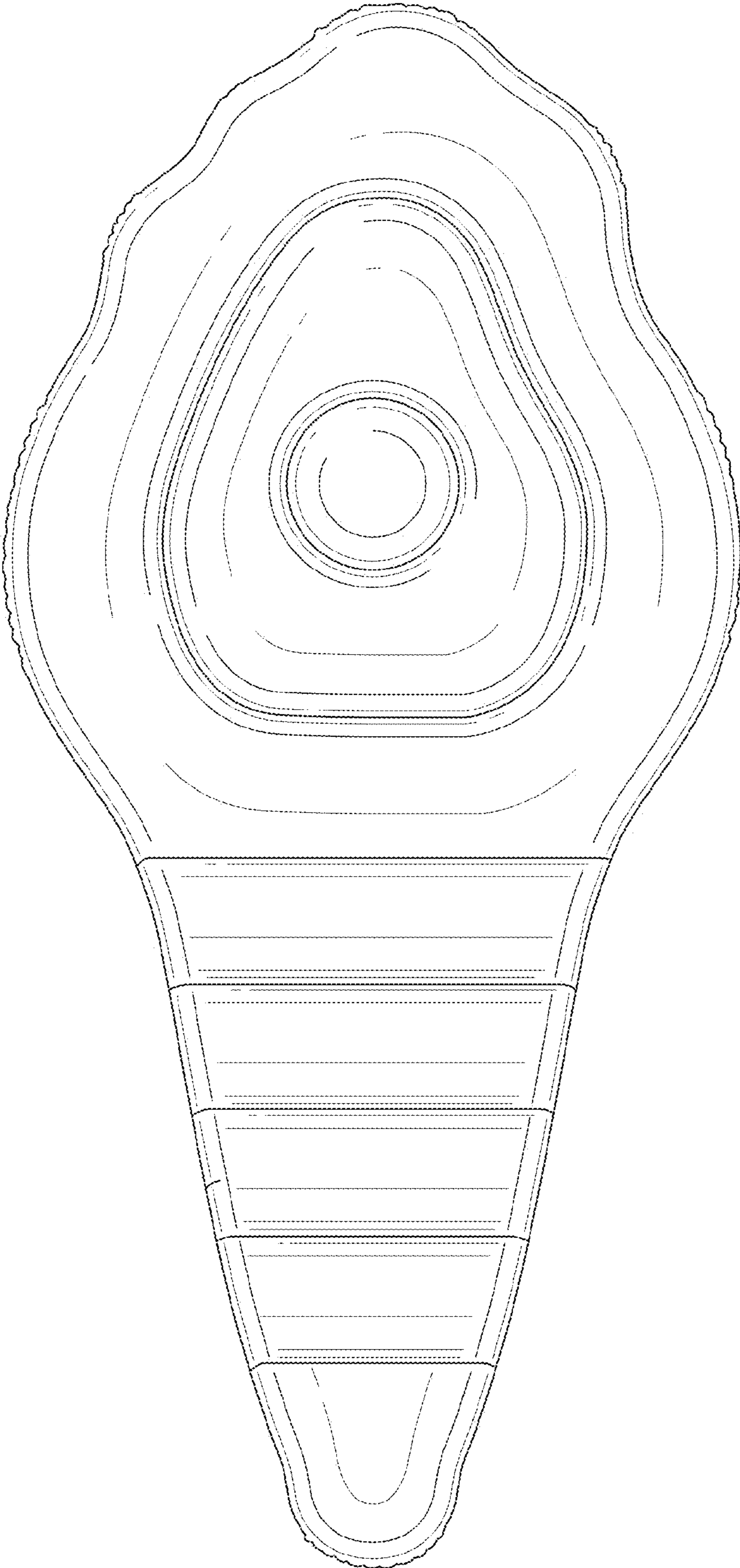


FIG. 3

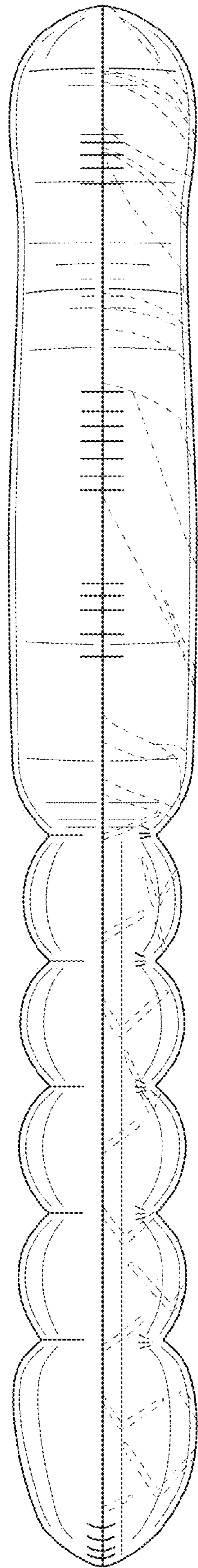


FIG. 4

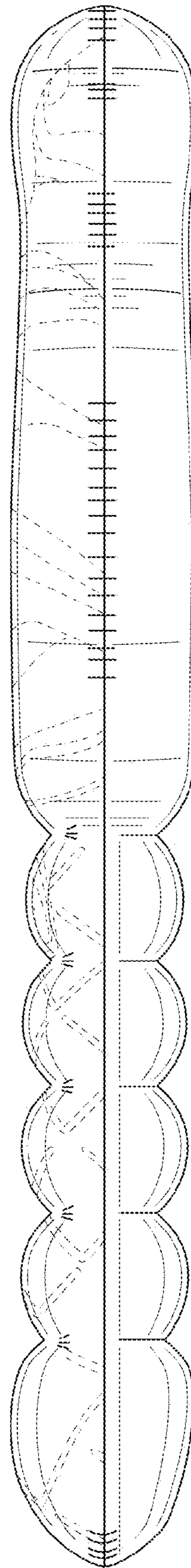


FIG. 5

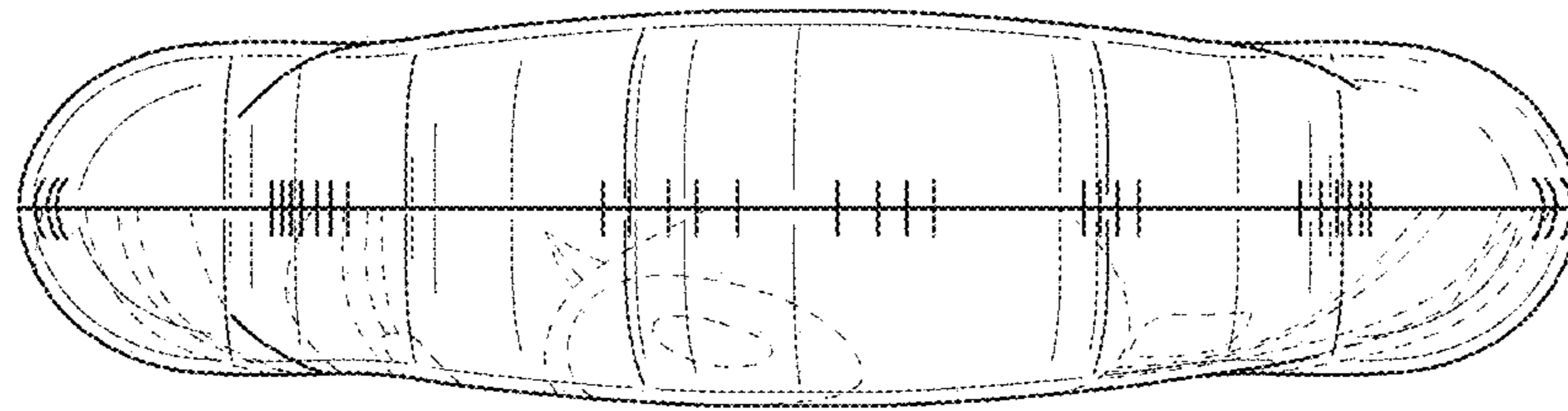


FIG. 6

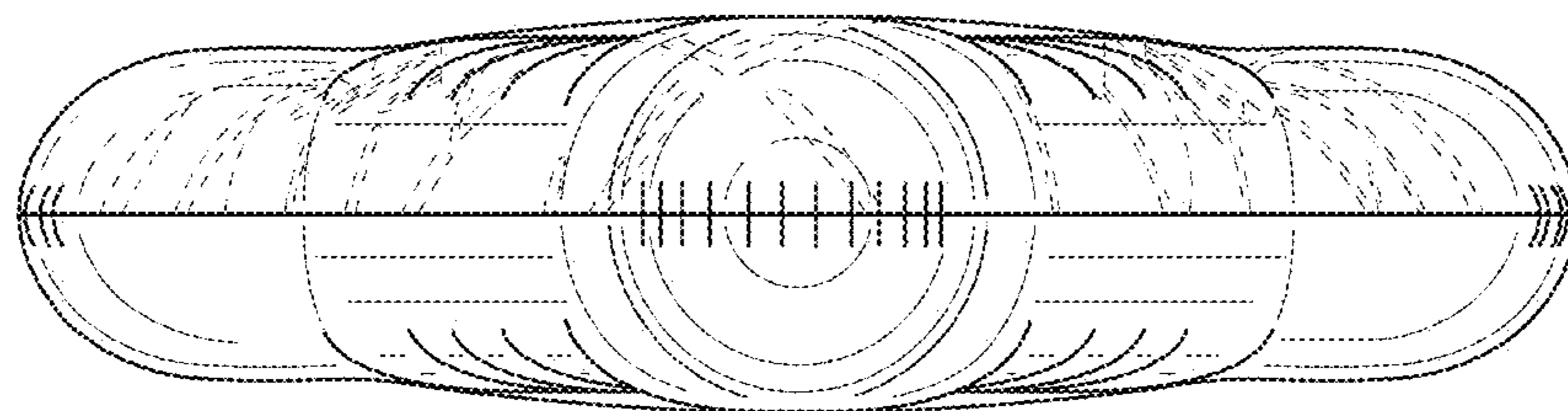


FIG. 7

UNITED STATES PATENT AND TRADEMARK OFFICE
CERTIFICATE OF CORRECTION

PATENT NO. : D874,598 S
APPLICATION NO. : 29/648167
DATED : February 4, 2020
INVENTOR(S) : Yaw Yuan Hsu et al.

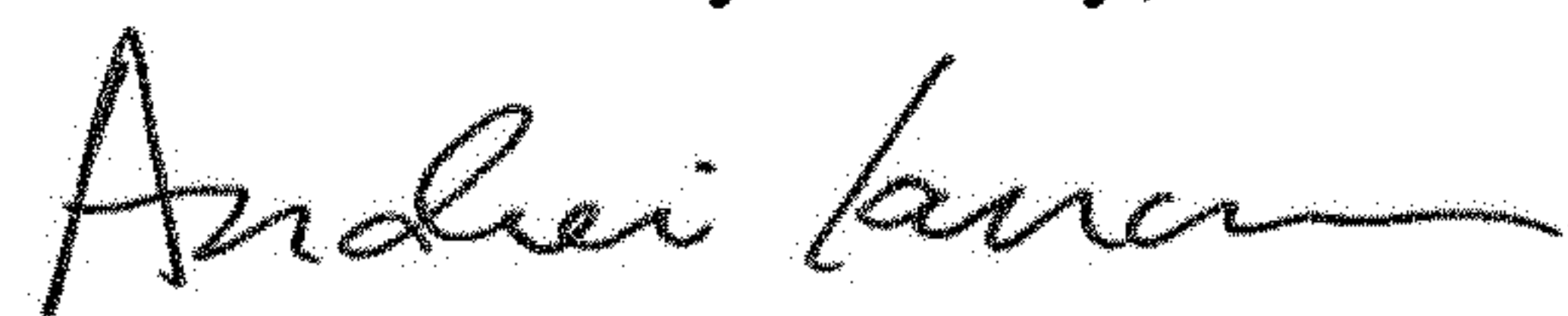
Page 1 of 1

It is certified that error appears in the above-identified patent and that said Letters Patent is hereby corrected as shown below:

On the Title Page

Item (30) Please amend the foreign priority reference number to read “201730575716.9” on
Column 1.

Signed and Sealed this
Twelfth Day of May, 2020



Andrei Iancu
Director of the United States Patent and Trademark Office