



US00D874594S

(12) **United States Design Patent**
Howard

(10) **Patent No.:** **US D874,594 S**

(45) **Date of Patent:** **** Feb. 4, 2020**

(54) **FLOAT FOR WALKING ON WATER**

(71) Applicant: **Bart P. Howard**, Wasilla, AK (US)

(72) Inventor: **Bart P. Howard**, Wasilla, AK (US)

(**) Term: **15 Years**

(21) Appl. No.: **29/620,752**

(22) Filed: **May 22, 2017**

(51) **LOC (12) Cl.** **21-02**

(52) **U.S. Cl.**
USPC **D21/769**

(58) **Field of Classification Search**

USPC D21/224, 228, 229, 230, 231, 240, 668,
D21/670, 671, 685, 686, 694, 698, 760,
D21/761, 762, 763, 764, 765, 766, 769,
D21/771, 772, 773, 775, 776, 801;
280/818, 611, 814, 812, 809, 816, 817,
280/606, 12 AA, 12 F, 12 H, 15, 16, 17,
280/21 R, 21 A; D6/358; 114/61, 63;
440/27, 35; D12/300, 306, 604; 441/73,
441/65

CPC B63B 35/81; B63B 35/73; A63C 5/16;
A63B 69/18; B62B 13/08; B62B 13/00

See application file for complete search history.

(56) **References Cited**

U.S. PATENT DOCUMENTS

1,286,217 A * 12/1918 Brandies B62B 17/065
280/14.27
D154,366 S 7/1949 Brown
D159,950 S 9/1950 Brown
2,841,805 A * 7/1958 Roudebush B63B 35/81
114/253
3,015,830 A * 1/1962 Clark B63B 35/83
441/76
3,066,328 A * 12/1962 Jones B63B 35/85
280/181
3,088,748 A * 5/1963 Malmo B62B 13/08
280/14.28
3,621,500 A 11/1971 Senghas

D247,358 S * 2/1978 Miller D12/324
4,129,912 A * 12/1978 Robinson B63B 1/12
280/818
D258,979 S * 4/1981 Scola D22/146
D259,803 S * 7/1981 Coffin D21/770
4,357,036 A * 11/1982 Zepkowski A63C 5/16
280/14.26
4,363,495 A * 12/1982 Henson A63C 5/06
280/14.28
4,453,742 A * 6/1984 Zepkowski A63C 5/16
280/22.1

(Continued)

OTHER PUBLICATIONS

“Walking on water” available Jul. 7, 2010, [online], [site visited Jul. 16, 2019]. Retrieved from Internet, <URL:https://bvwater.wordpress.com/tag/walking-on-water/> (Year: 2010).*

Primary Examiner — Michael C Stout
Assistant Examiner — Katrina N Gonzalez
(74) *Attorney, Agent, or Firm* — Suzanne Kikel

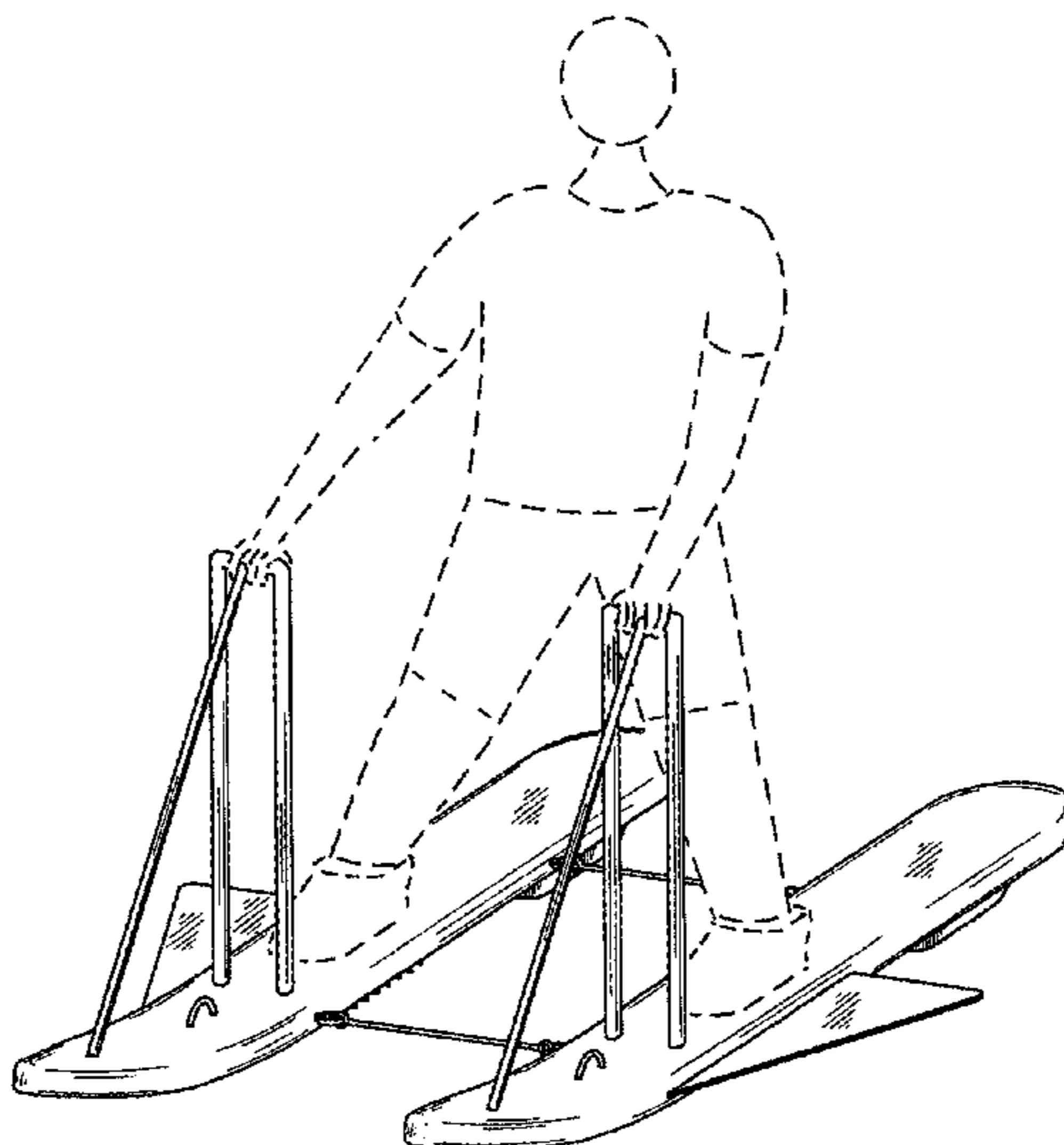
(57) **CLAIM**

The ornamental design for the float for walking on water, as shown and described.

DESCRIPTION

FIG. 1 is a perspective view of the float for walking on water, showing my new design.
FIG. 2 is a front elevation view thereof.
FIG. 3 is a rear elevation view thereof.
FIG. 4 is a right side elevation view thereof.
FIG. 5 is a left side elevation thereof.
FIG. 6 is a top view thereof; and,
FIG. 7 is a bottom view thereof.
The broken lines showing of a floater and feet securing devices in FIG. 1 depict environmental subject matter and form no part of the claimed design.

1 Claim, 7 Drawing Sheets



(56)

References Cited

U.S. PATENT DOCUMENTS

4,731,039	A	3/1988	Zeiss	
D304,361	S *	10/1989	Colclosure	D21/767
D343,609	S *	1/1994	Lane	D12/304
D363,902	S	11/1995	Wright	
5,540,604	A *	7/1996	Dayton	B63H 25/00 114/283
5,607,331	A	3/1997	Lekhtman	
6,855,024	B2	2/2005	Rothschild	
7,371,138	B2 *	5/2008	Spass	B63H 16/14 440/21
D617,407	S *	6/2010	Ruiz	D21/769
2009/0130932	A1 *	5/2009	Yesil	B63B 35/73 441/76
2011/0092116	A1 *	4/2011	Ruiz	B63B 35/73 441/73

* cited by examiner

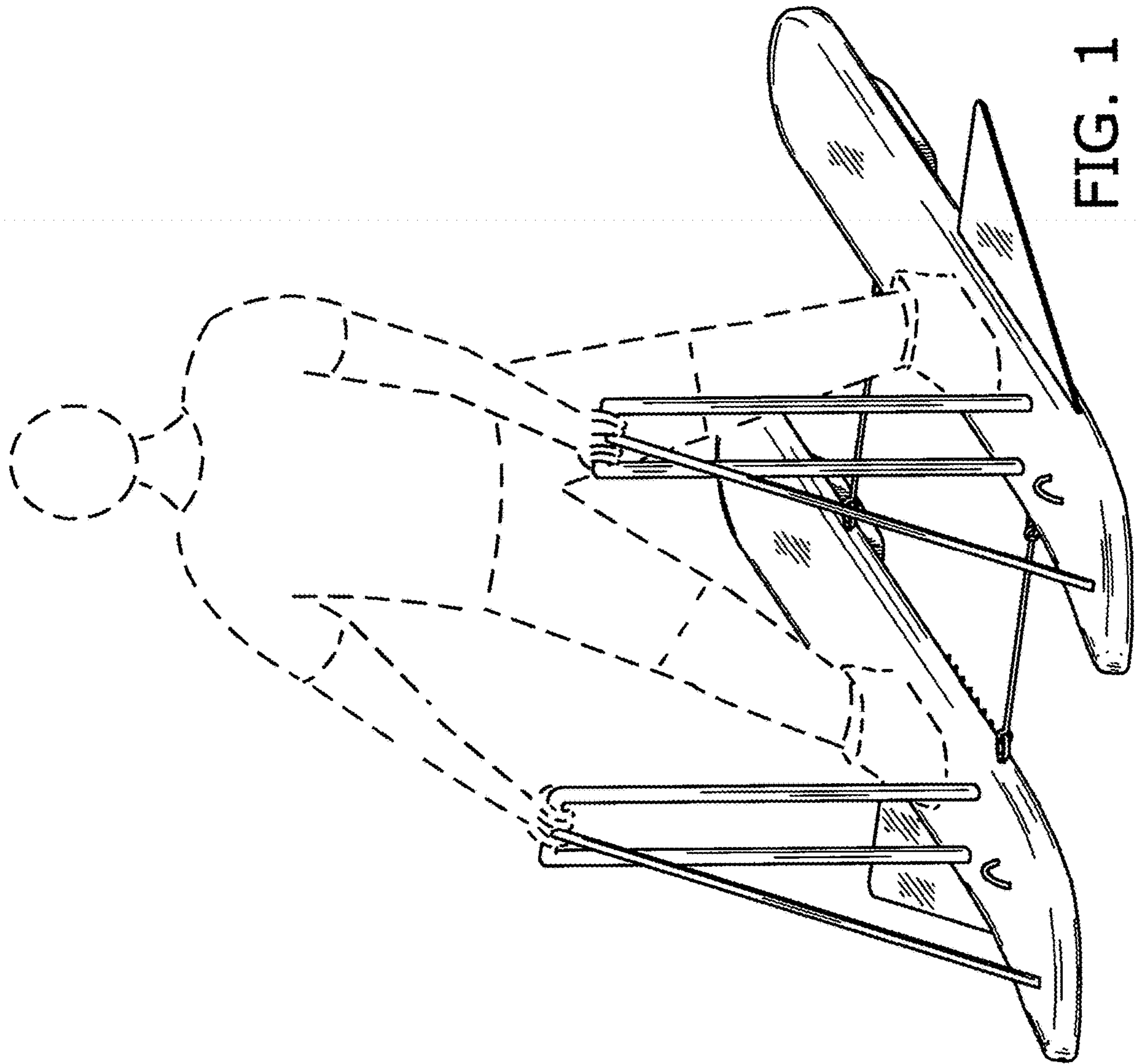


FIG. 1

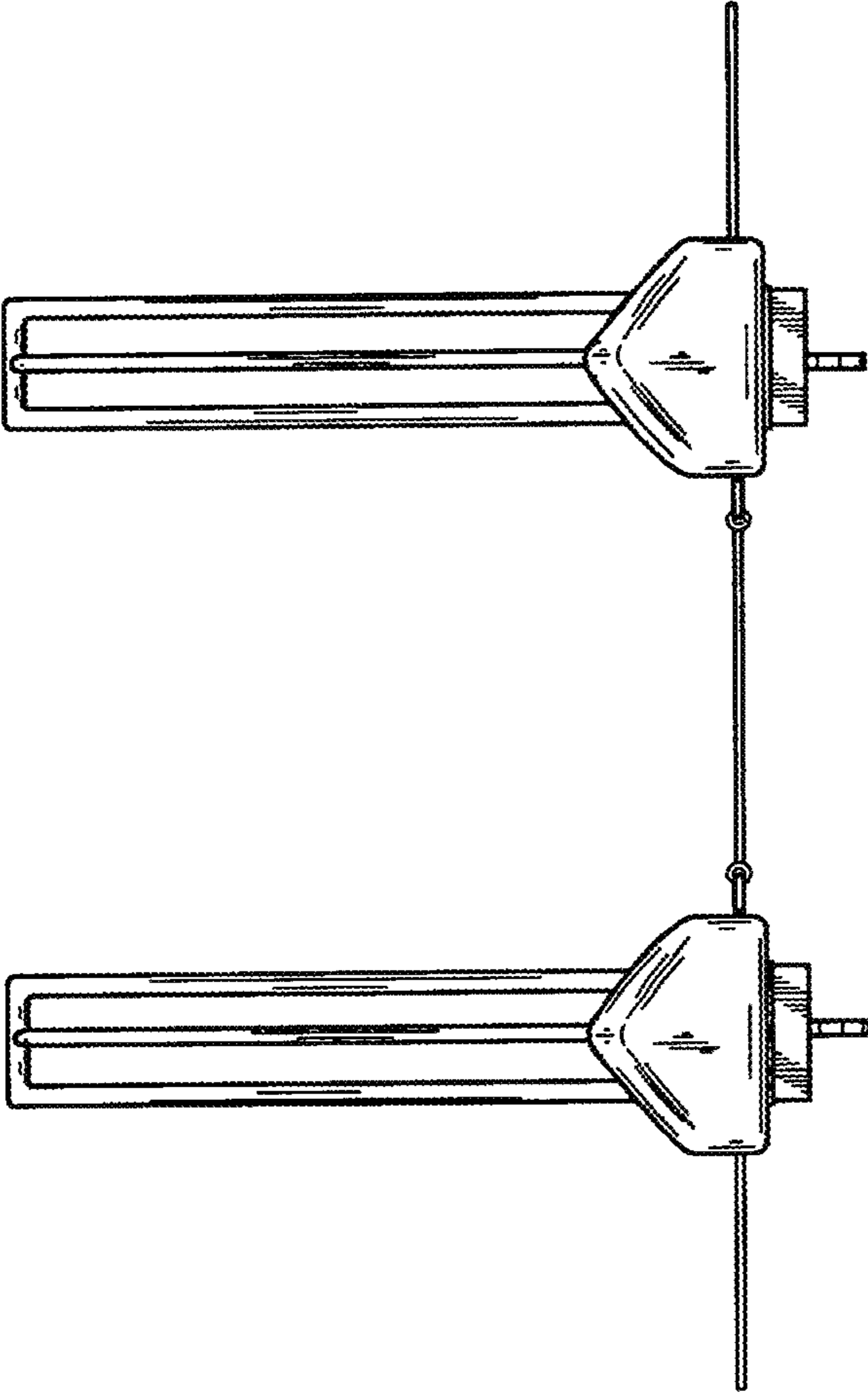


FIG. 2

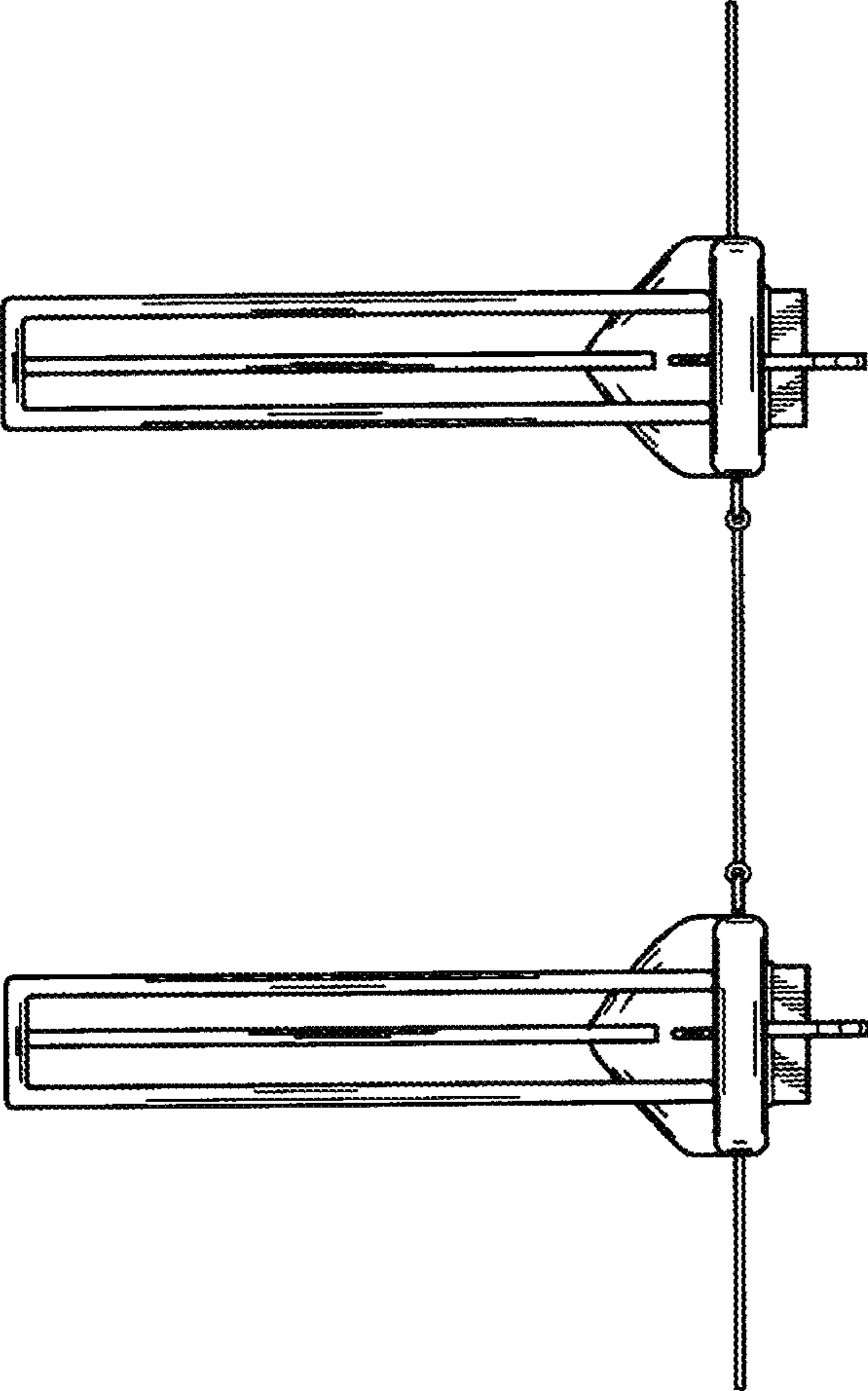


FIG. 3

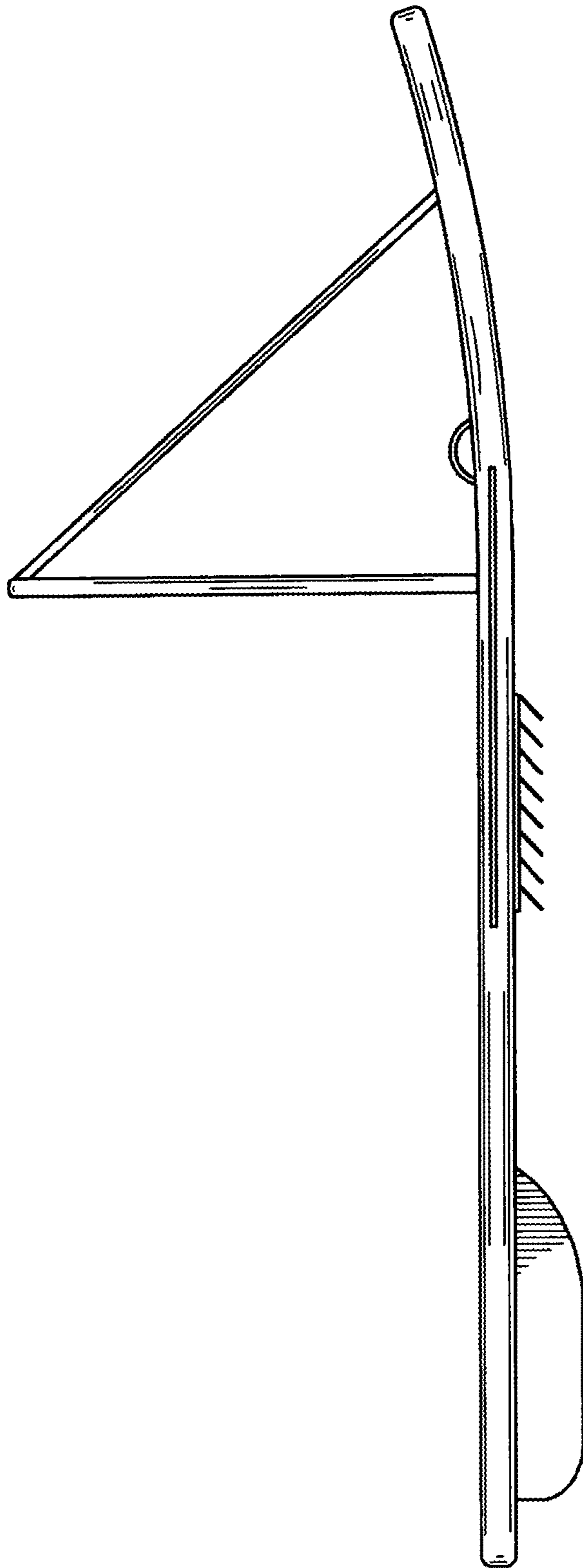


FIG. 4

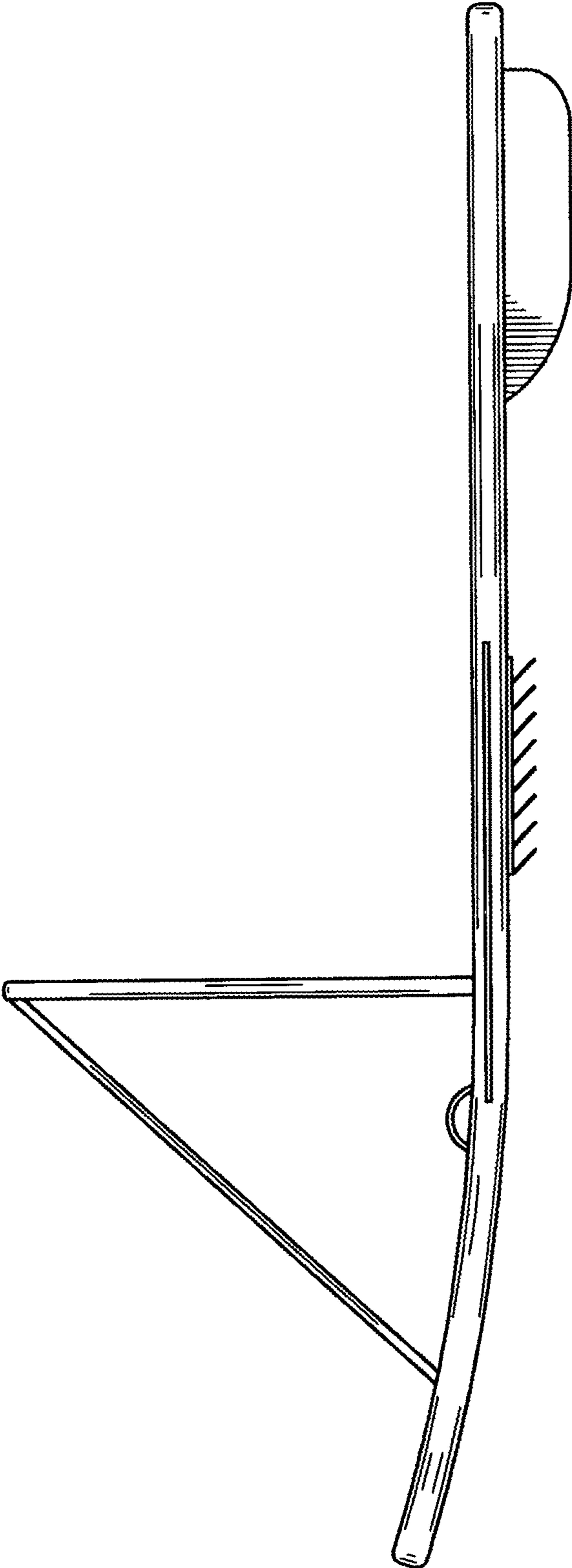


FIG. 5

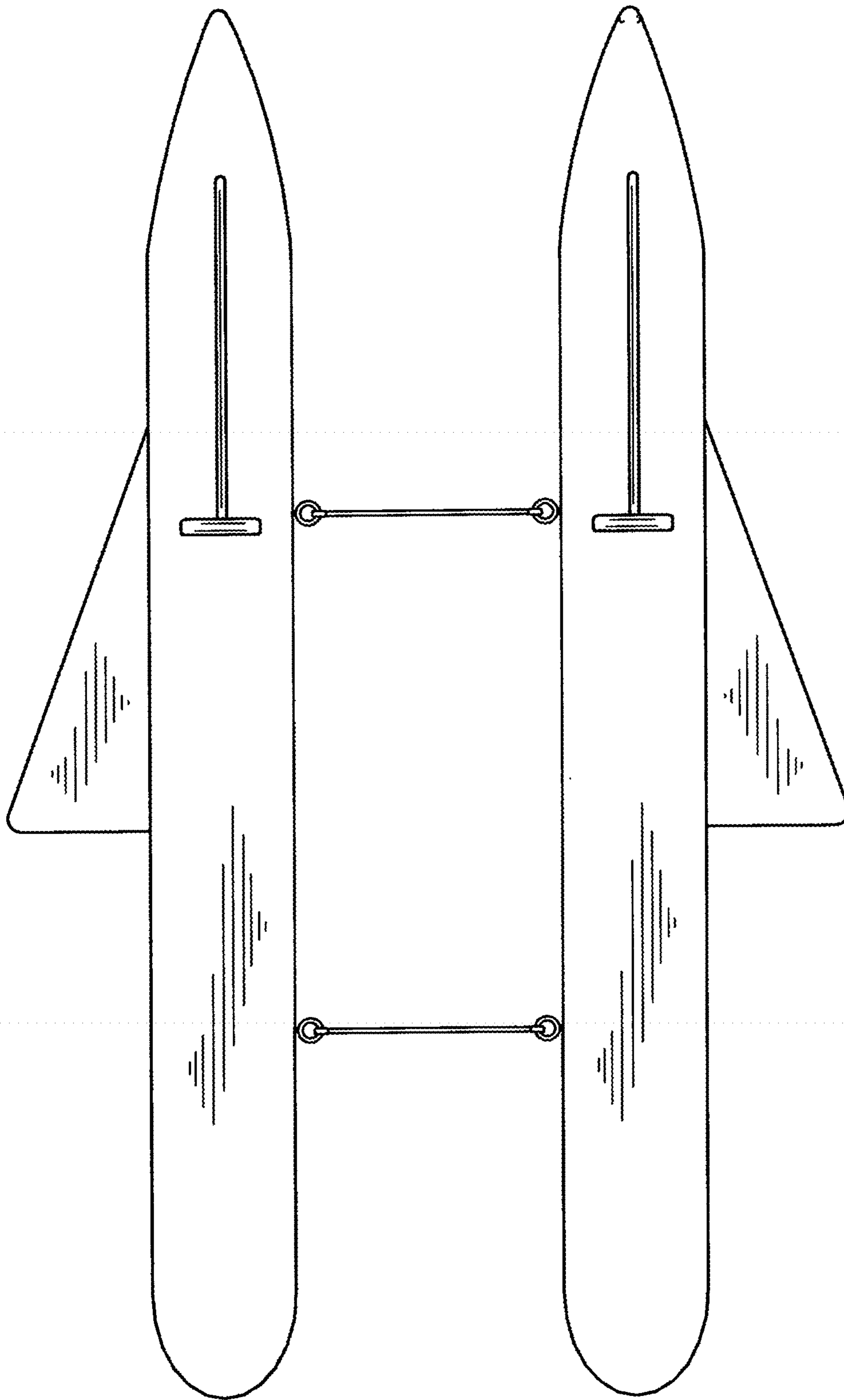


FIG. 6

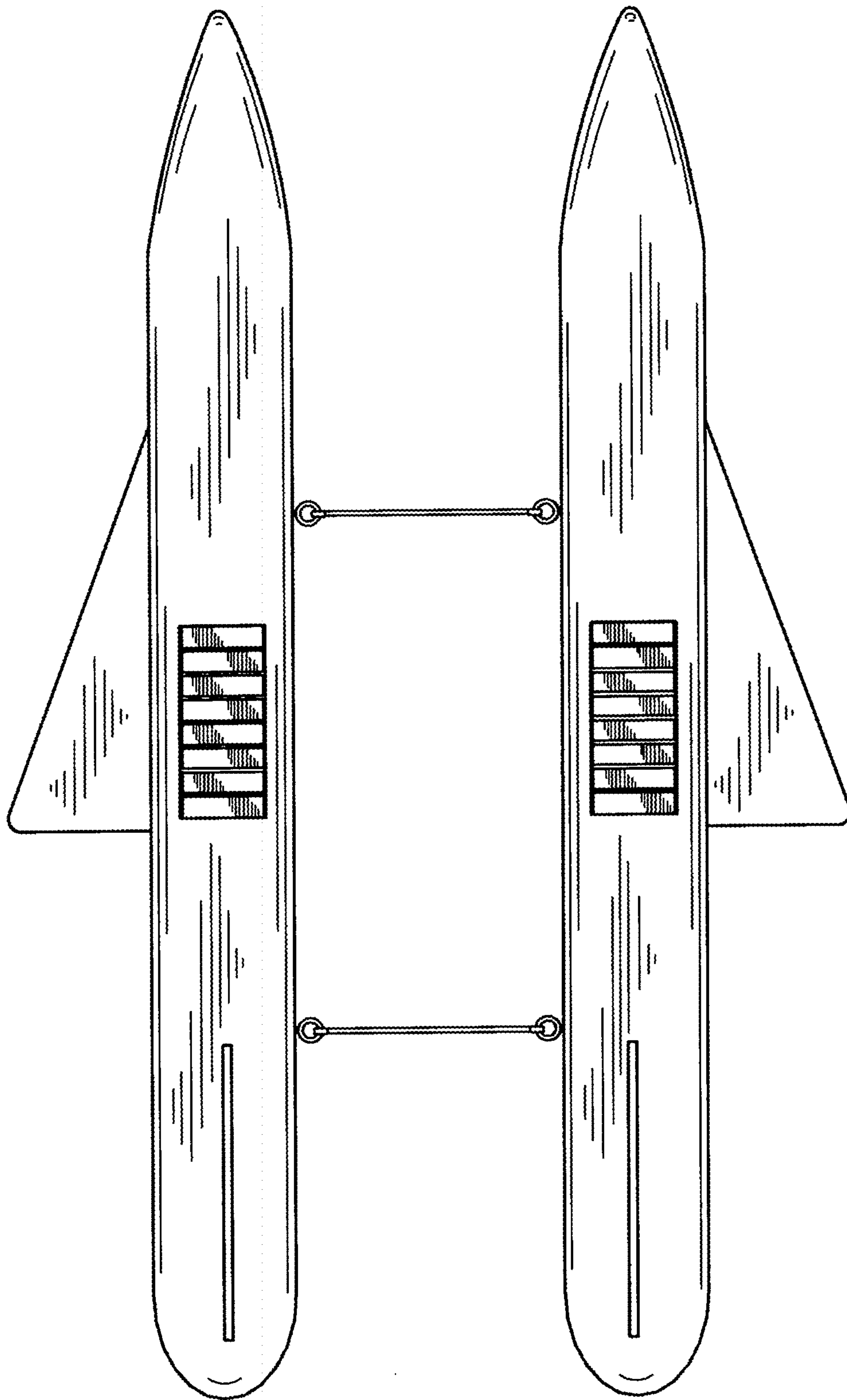


FIG. 7