



US00D874592S

(12) **United States Design Patent**
Parente et al.

(10) **Patent No.:** **US D874,592 S**

(45) **Date of Patent:** **** Feb. 4, 2020**

(54) **LARGE Mallet PUTTER**

(71) Applicant: **Sacks Parente Golf Company, LLC**,
Westlake Village, CA (US)

(72) Inventors: **Richard E. Parente**, Imperial Beach,
CA (US); **Steven L. Sacks**, San Diego,
CA (US); **Gene Richard Parente**, San
Diego, CA (US)

(73) Assignee: **Sacks Parente Golf Company, LLC**,
Westlake Village, CA (US)

(**) Term: **15 Years**

(21) Appl. No.: **29/665,906**

(22) Filed: **Oct. 8, 2018**

(51) **LOC (12) Cl.** **21-02**

(52) **U.S. Cl.**
USPC **D21/744**

(58) **Field of Classification Search**
USPC D21/736-746, 759
CPC A63B 53/00; A63B 53/04; A63B 53/007;
A63B 53/065; A63B 53/0487; A63B
60/00; A63B 60/46
See application file for complete search history.

(56) **References Cited**

U.S. PATENT DOCUMENTS

3,997,170	A *	12/1976	Goldberg	A63B 53/04 473/327
4,065,133	A *	12/1977	Gordos	A63B 53/04 473/327
D266,344	S *	9/1982	Duclos	D21/752
D344,561	S *	2/1994	Gorman	D21/752
D375,535	S *	11/1996	Gorman	D21/752
D383,181	S *	9/1997	Gorman	D21/752
D394,688	S *	5/1998	Fox	D21/733
D424,642	S *	5/2000	Reed	D21/744
D425,157	S *	5/2000	Reed	D21/744

D426,601	S *	6/2000	Reed	D21/744
D434,820	S *	12/2000	Reed	D21/744
D481,089	S *	10/2003	Breier	D21/738
D484,935	S *	1/2004	Tang	D21/738
D485,321	S *	1/2004	Breier	D21/738
D496,417	S *	9/2004	Tang	D21/738
D501,903	S *	2/2005	Tanaka	D21/752
D507,317	S *	7/2005	Garner	D21/743
D508,273	S *	8/2005	Garner	D21/743
D510,394	S *	10/2005	Tang	D21/742
D513,048	S *	12/2005	Garner	D21/743
D542,873	S *	5/2007	Oldknow	D21/759
D549,792	S *	8/2007	Parise	D21/752
D561,854	S *	2/2008	Morris	D21/744
D569,460	S *	5/2008	Walker	D21/743
D715,388	S *	10/2014	Serrano	D21/743
D718,399	S *	11/2014	Glod	D21/759

(Continued)

Primary Examiner — Mitchell I. Siegel

(74) *Attorney, Agent, or Firm* — Steven M. Greenberg;
Shutts & Bowen LLP

(57) **CLAIM**

The ornamental design for a large mallet putter, as shown and described.

DESCRIPTION

FIG. 1 is a top front perspective of a putter according to our invention;

FIG. 2 is a bottom back perspective view of the putter of FIG. 1;

FIG. 3 is a back view of the putter of FIG. 1;

FIG. 4 is a front view of the putter of FIG. 1;

FIG. 5 is a left view of the putter of FIG. 1;

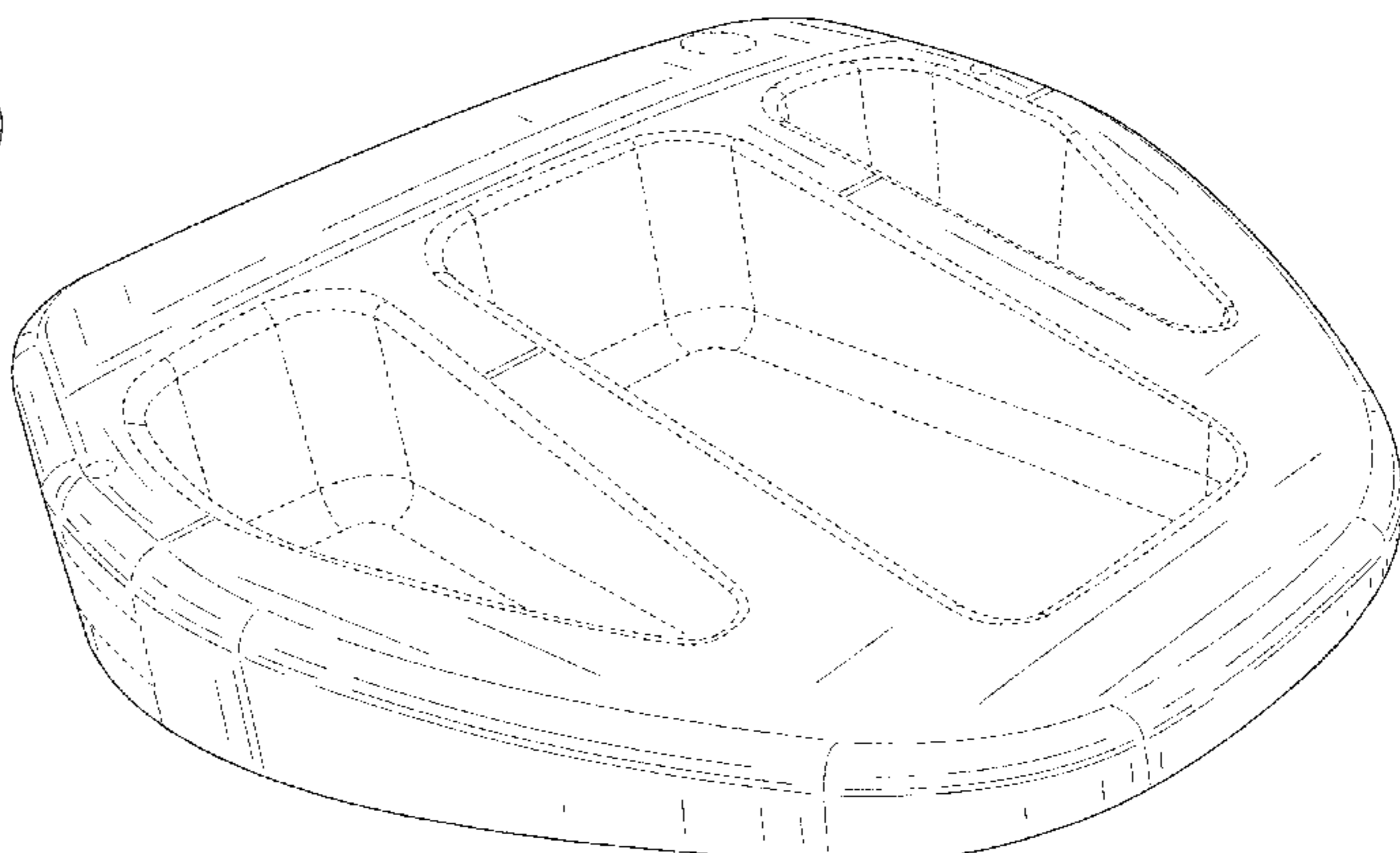
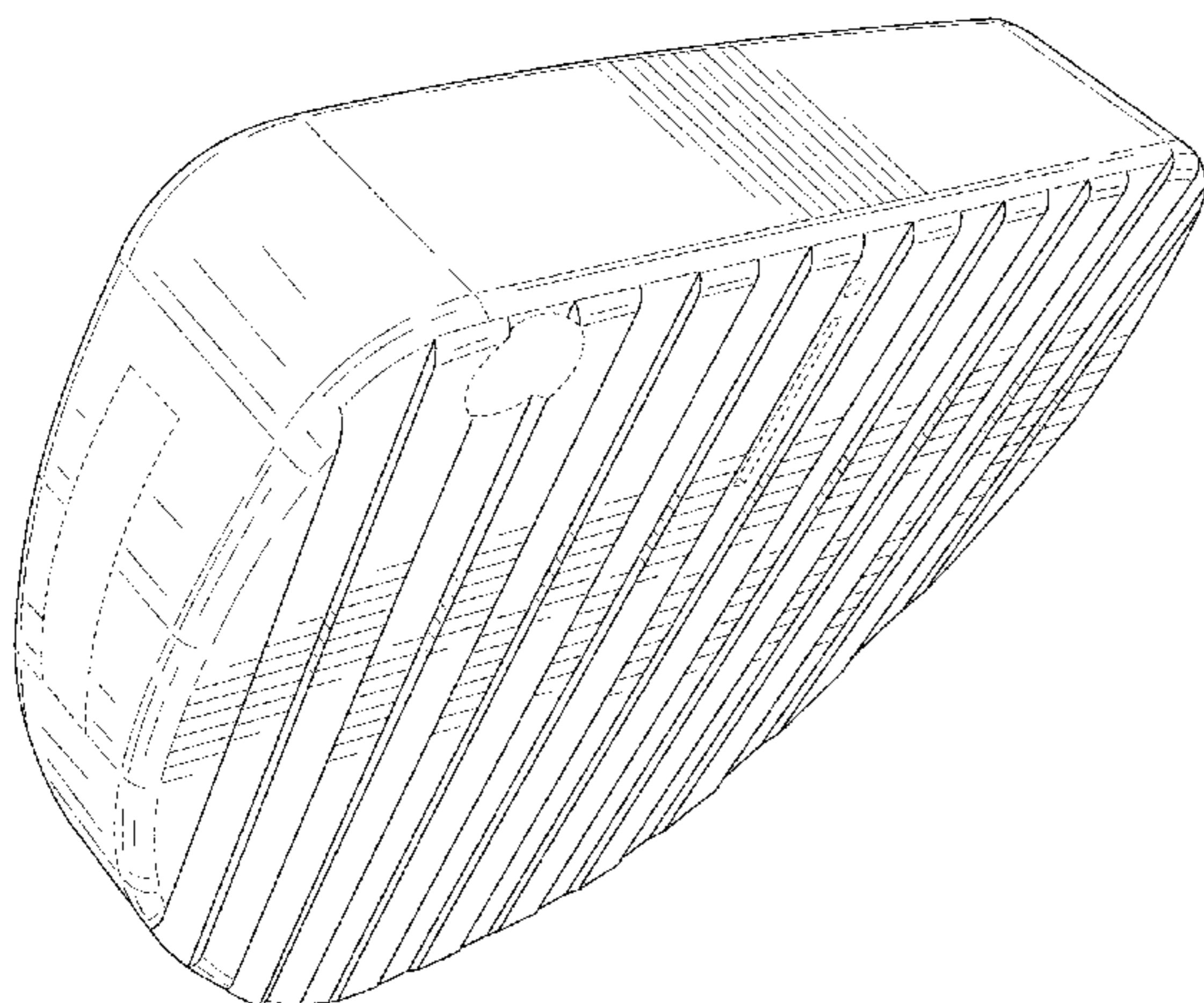
FIG. 6 is a right view of the putter of FIG. 1;

FIG. 7 is a top view of the putter of FIG. 1; and,

FIG. 8 is a bottom view of the putter of FIG. 1.

The broken lines shown are included for the purpose of illustrating unclaimed subject matter and forms no part of the claimed design.

1 Claim, 6 Drawing Sheets



(56)

References Cited

U.S. PATENT DOCUMENTS

D726,270 S * 4/2015 Rollinson D21/759
D840,482 S * 2/2019 Serrano D21/736

* cited by examiner

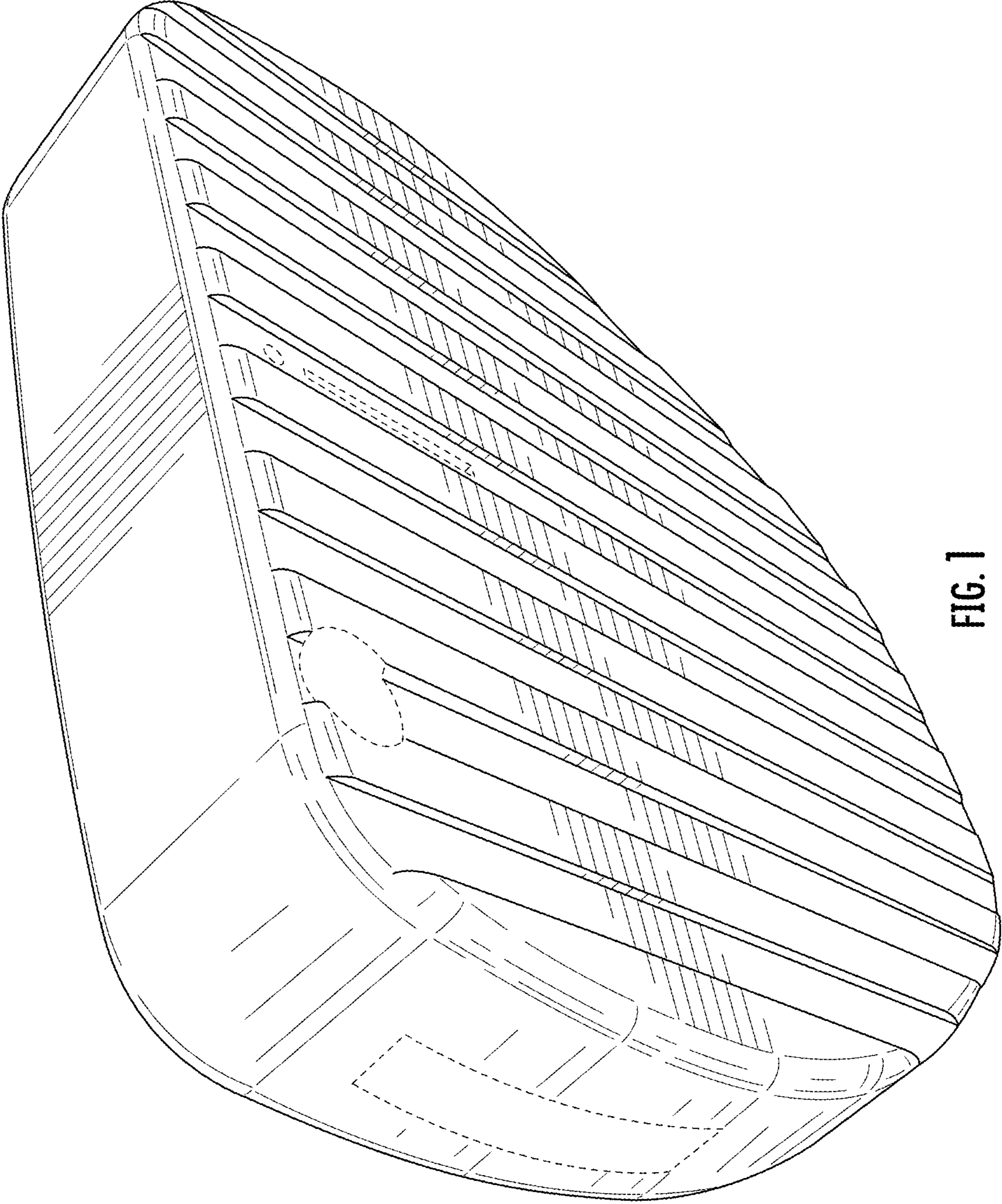


FIG. 1

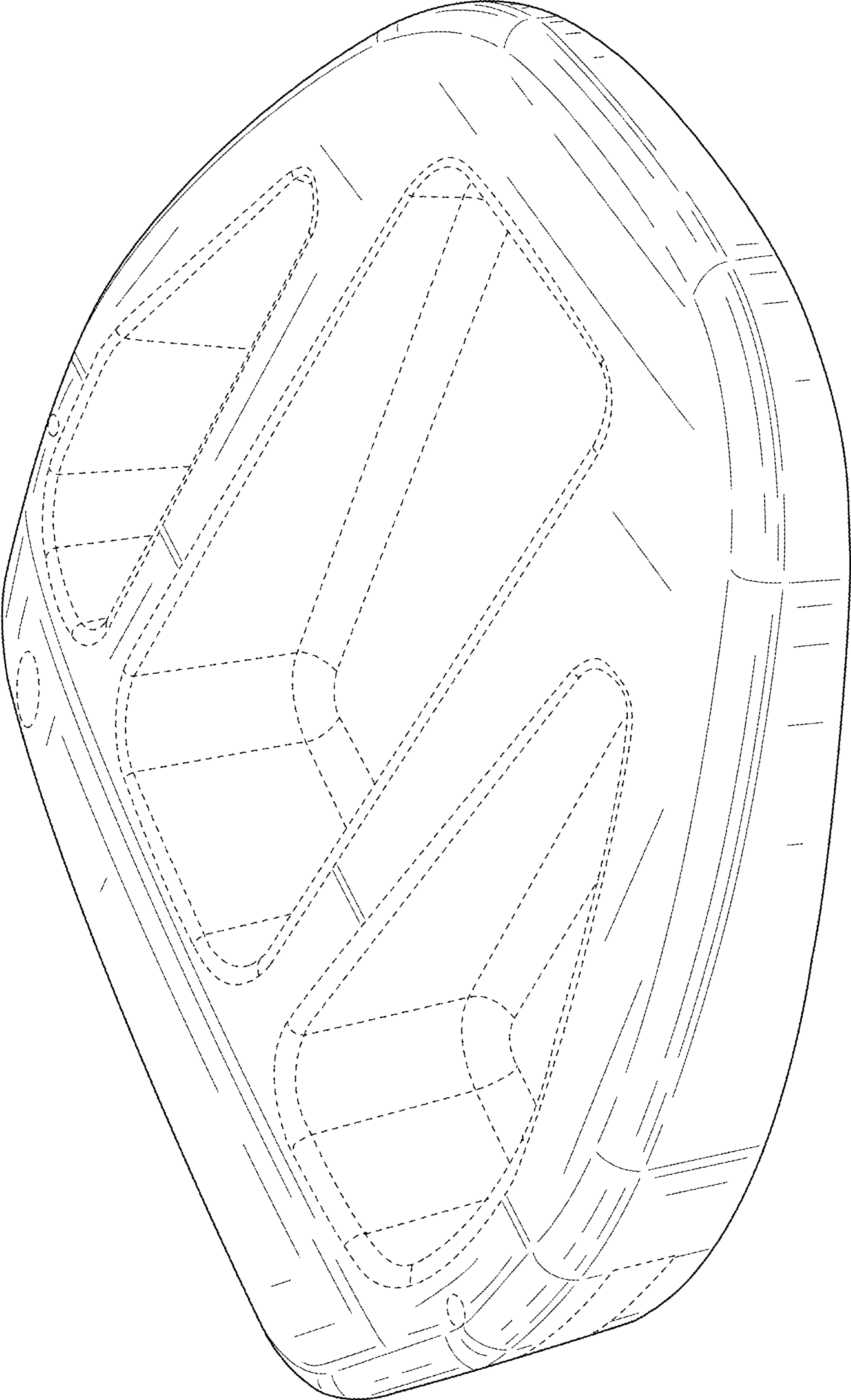


FIG. 2

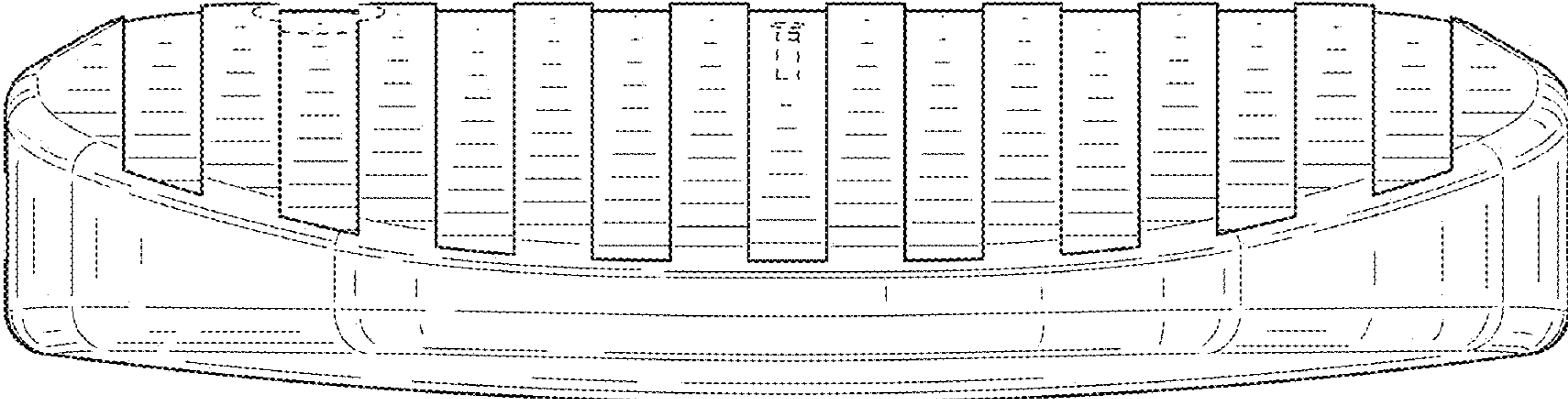


FIG. 3

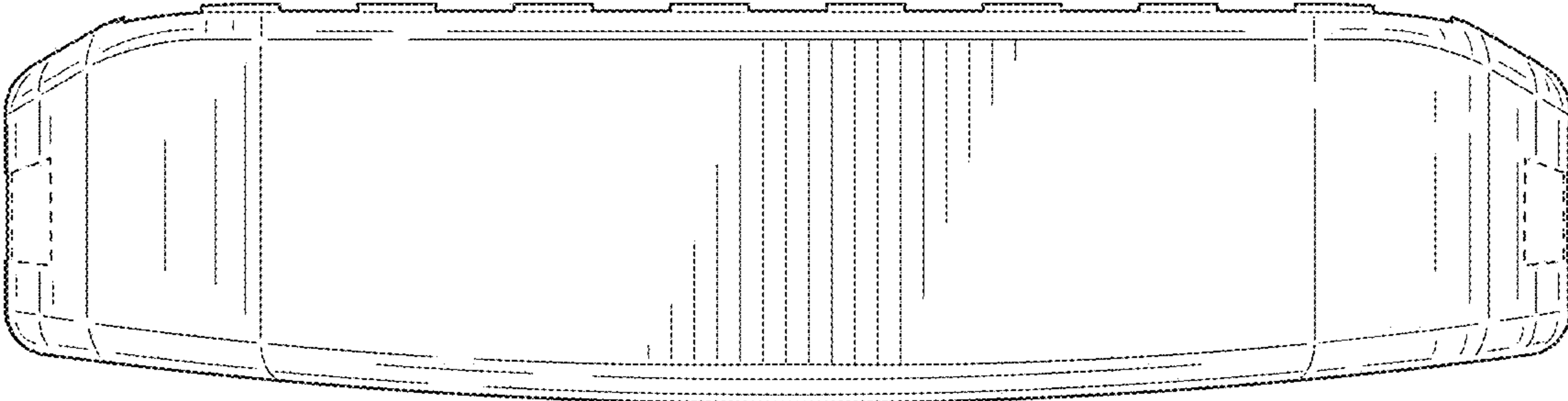


FIG. 4

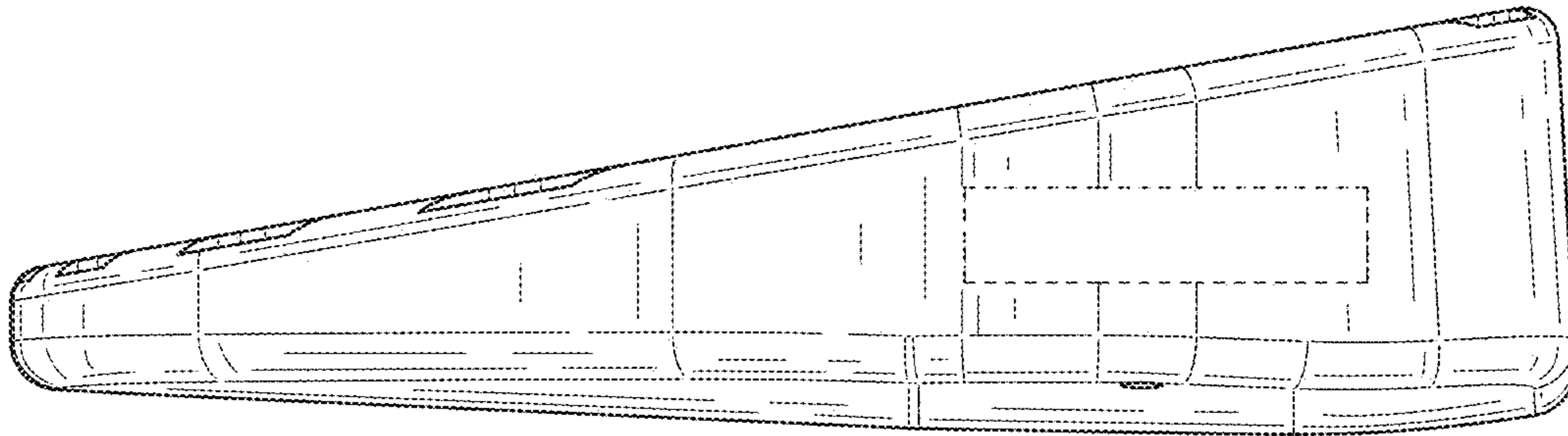


FIG. 5

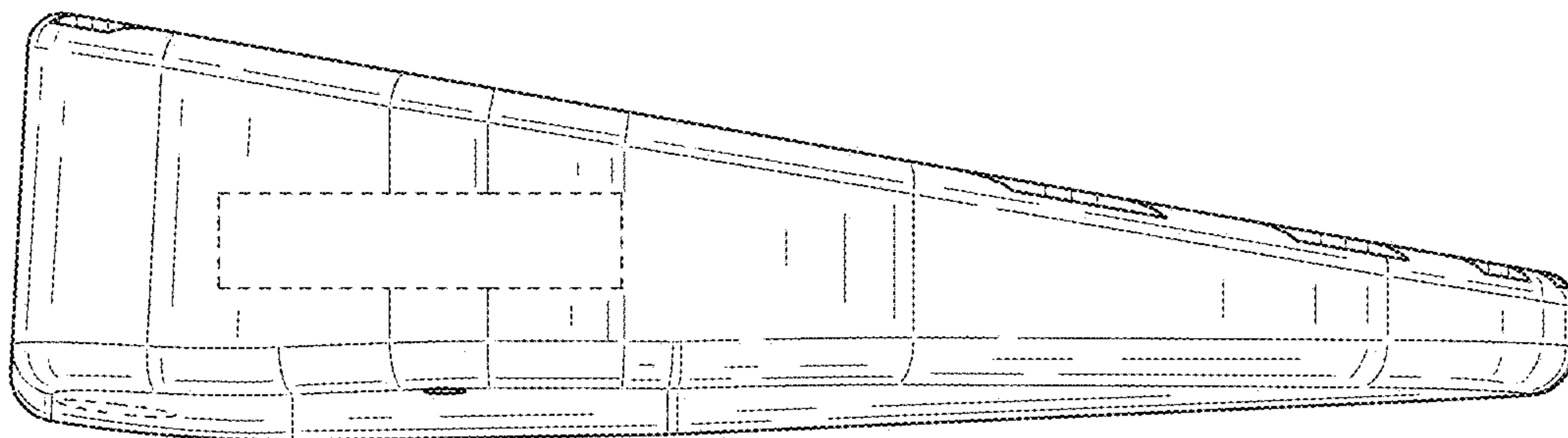


FIG. 6

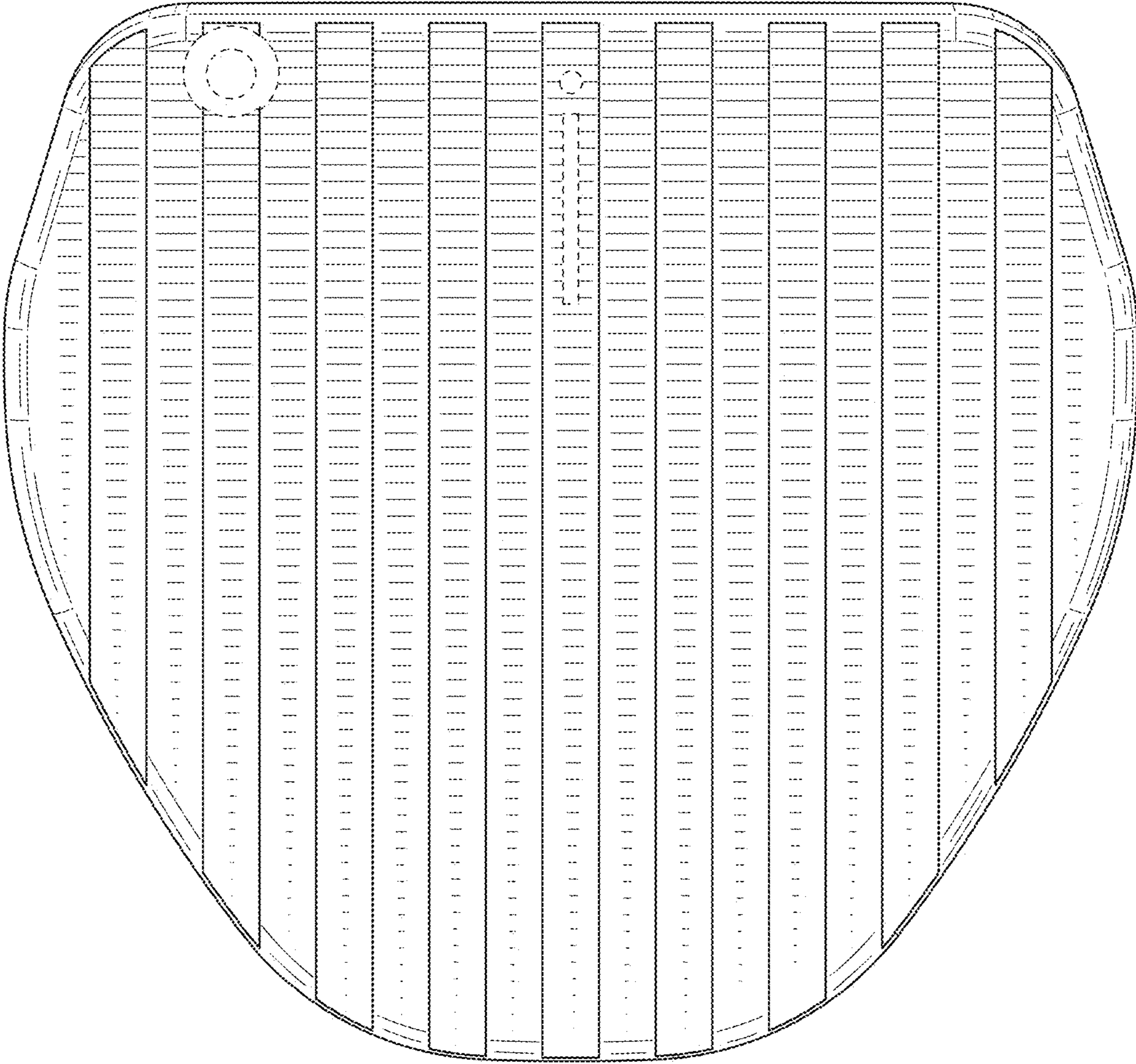


FIG. 7

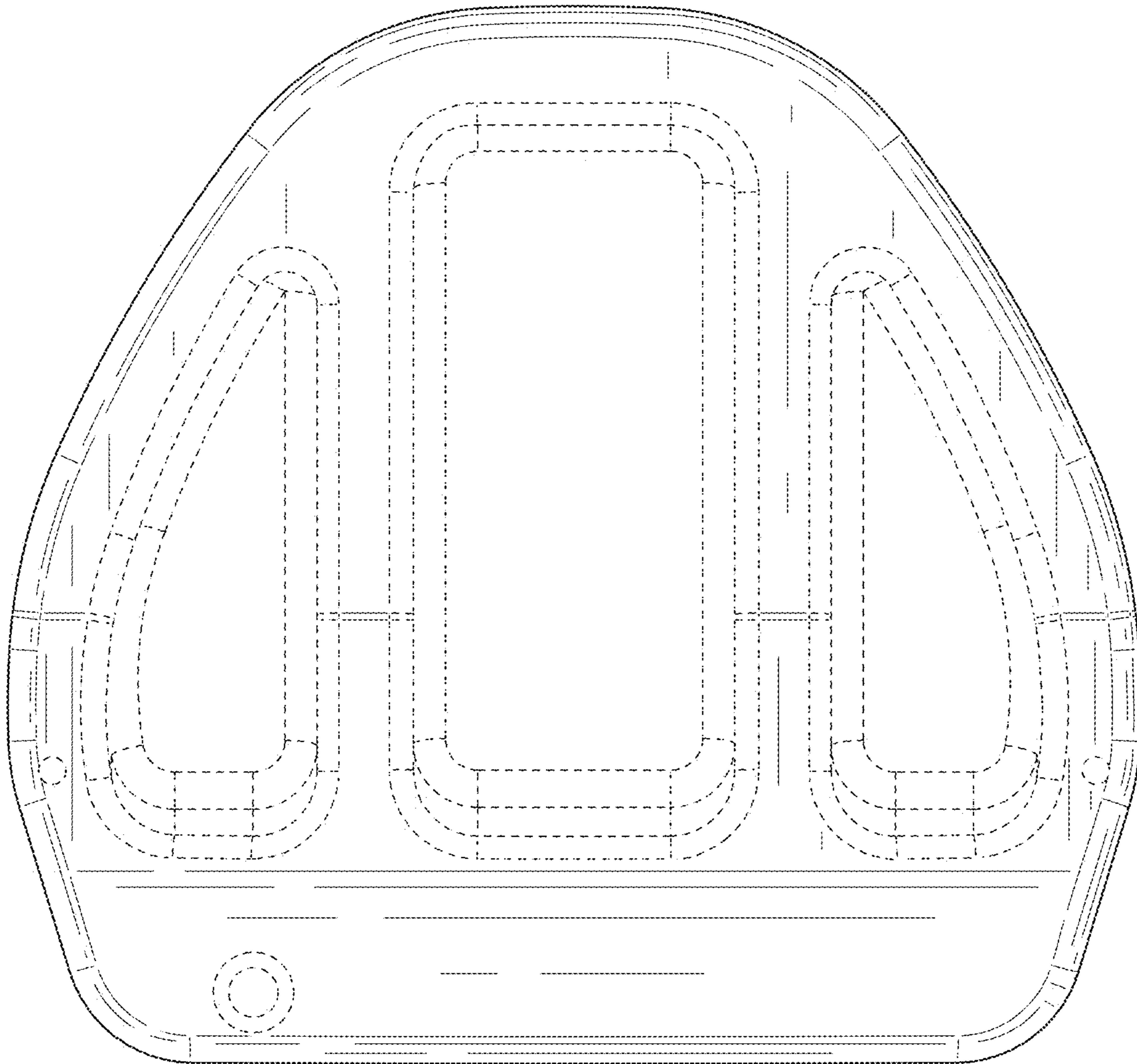


FIG. 8