



US00D874591S

(12) **United States Design Patent**
Lee et al.

(10) **Patent No.:** **US D874,591 S**
(45) **Date of Patent:** **** Feb. 4, 2020**

(54) **GOLF CLUB HEAD**

(71) Applicant: **KARSTEN MANUFACTURING CORPORATION**, Phoenix, AZ (US)

(72) Inventors: **Daniel K. Lee**, Chandler, AZ (US);
Calvin S. Wang, Chandler, AZ (US);
Xiaojian Chen, Phoenix, AZ (US)

(73) Assignee: **Karsten Manufacturing Corporation**, Phoenix, AZ (US)

(**) Term: **15 Years**

(21) Appl. No.: **29/666,055**

(22) Filed: **Oct. 9, 2018**

(51) **LOC (12) Cl.** **21-02**

(52) **U.S. Cl.**
USPC **D21/743**

(58) **Field of Classification Search**
USPC D21/736-746, 759
CPC A63B 53/00; A63B 53/04; A63B 53/007;
A63B 53/065; A63B 53/0487; A63B
60/00; A63B 60/46
See application file for complete search history.

(56) **References Cited**

U.S. PATENT DOCUMENTS

| | | | |
|--------------|---------|------------------|---------------|
| D316,129 S | 4/1991 | Bryson | |
| D375,131 S | 10/1996 | Williams | |
| 5,685,784 A | 11/1997 | Butler | |
| D399,900 S | 10/1998 | Hogan | |
| D402,343 S * | 12/1998 | Helmstetter | D21/738 |
| D488,200 S | 4/2004 | Olsavsky | |
| D496,417 S | 9/2004 | Tang | |
| D500,109 S | 12/2004 | Solheim | |
| D500,110 S | 12/2004 | Solheim | |
| 6,837,801 B1 | 1/2005 | Souza et al. | |
| 6,878,071 B1 | 4/2005 | Schwieger et al. | |

| | | | |
|--------------|---------|----------------|---------------|
| 6,893,355 B2 | 5/2005 | Souza et al. | |
| D507,612 S | 7/2005 | Souza | |
| D507,613 S | 7/2005 | Baiocchi | |
| 6,926,615 B1 | 8/2005 | Souza et al. | |
| D511,802 S * | 11/2005 | Cameron | D21/744 |
| 6,960,140 B2 | 11/2005 | Solheim et al. | |

(Continued)

Primary Examiner — Mitchell I. Siegel

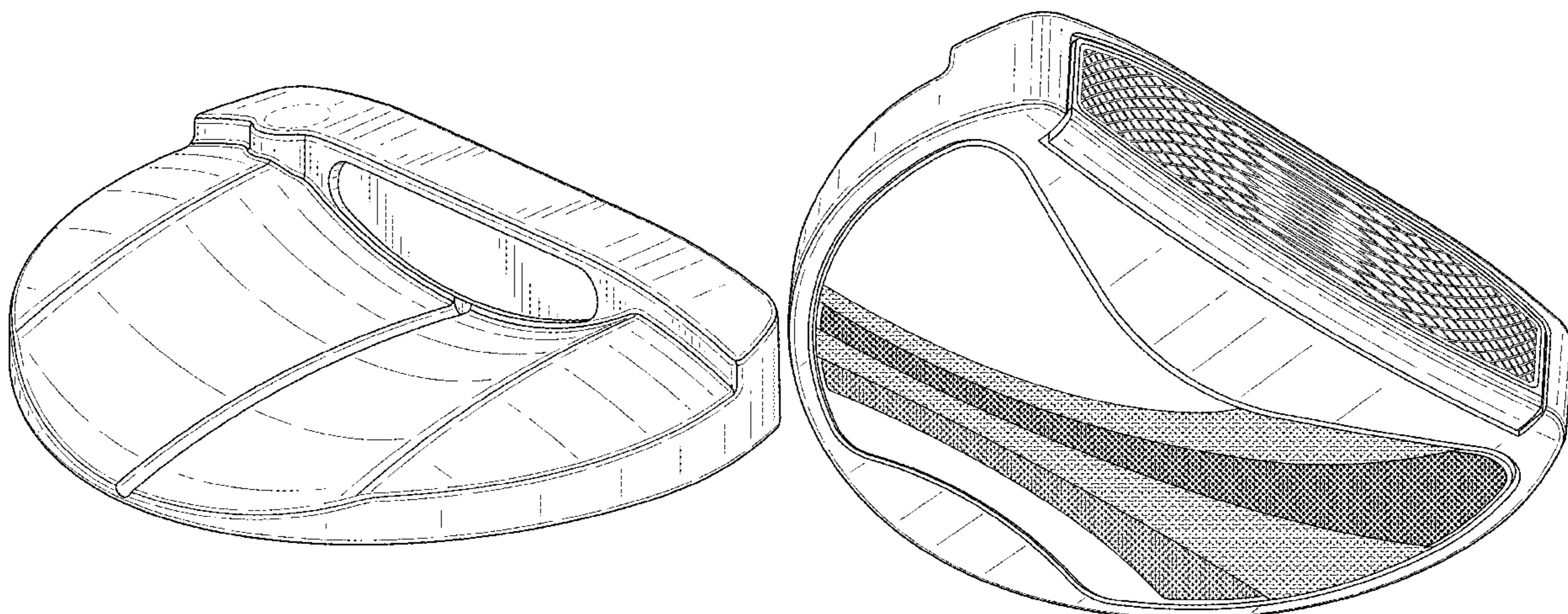
(57) **CLAIM**

The ornamental design for a golf club head, as shown and described.

DESCRIPTION

FIG. 1 is a top perspective view of a golf club head; FIG. 2 is a bottom perspective view of the golf club head of FIG. 1; FIG. 3 is a top view of the golf club head of FIG. 1; FIG. 4 is a bottom view of the golf club head of FIG. 1; FIG. 5 is a front view of the golf club head of FIG. 1; FIG. 6 is a rear view of the golf club head of FIG. 1; FIG. 7 is a heel side view of the golf club head of FIG. 1; FIG. 8 is a toe side view of the golf club head of FIG. 1; FIG. 9 is a top perspective of a second embodiment of the golf club head; FIG. 10 is a bottom perspective view of the golf club head of FIG. 9; FIG. 11 is a top view of the golf club head of FIG. 9; FIG. 12 is a bottom view of the golf club head of FIG. 9; FIG. 13 is a front view of the golf club head of FIG. 9; FIG. 14 is a rear view of the golf club head of FIG. 9; FIG. 15 is a heel side view of the golf club head of FIG. 9; and, FIG. 16 is a toe side view of the golf club head of FIG. 9. The broken lines shown are included for the purpose of illustrating unclaimed subject matter and forms no part of the claimed design. A portion of the bottom surface disclosed on FIGS. 9-16 is stippled heavier and lighter to illustrate contrasting appearance.

1 Claim, 12 Drawing Sheets



(56)

References Cited

U.S. PATENT DOCUMENTS

6,966,845 B2 11/2005 Solheim et al.
 D514,181 S * 1/2006 Cameron D21/738
 D520,584 S 5/2006 Karlson
 D521,582 S 5/2006 Souza
 7,052,411 B2 5/2006 Solheim et al.
 D522,598 S 6/2006 Solheim
 7,077,758 B2 7/2006 Rohrer
 7,086,957 B2 8/2006 Solheim et al.
 D529,108 S 9/2006 Stites
 D533,243 S 12/2006 Fife
 7,235,021 B2 6/2007 Solheim et al.
 D548,295 S 8/2007 Jertson
 7,255,650 B2 8/2007 Braynt et al.
 D552,197 S 10/2007 Wells
 D565,137 S 3/2008 Oldknow
 D569,460 S 5/2008 Walker
 D569,462 S 5/2008 Rollinson
 D571,879 S 5/2008 Jones et al.
 D574,907 S 8/2008 Jones et al.
 D581,473 S 11/2008 Thomas
 D583,003 S 12/2008 Solheim
 D587,325 S 2/2009 Solheim
 D594,073 S 6/2009 Kadoya
 D595,372 S 6/2009 Rollinson
 D600,760 S 9/2009 Serrano
 D600,761 S 9/2009 Solheim
 D600,762 S 9/2009 Serrano
 D607,950 S 1/2010 Souza
 D621,458 S 8/2010 Serrano

D621,460 S 8/2010 Serrano
 D621,461 S 8/2010 Serrano
 D621,462 S 8/2010 Serrano
 D621,891 S 8/2010 Serrano
 7,803,066 B2 9/2010 Solheim et al.
 D638,891 S 5/2011 Nicolette
 D643,080 S 8/2011 Serrano
 D643,485 S 8/2011 Nicolette et al.
 D643,486 S 8/2011 Serrano
 D643,487 S 8/2011 Serrano
 8,100,779 B2 1/2012 Solheim et al.
 D653,718 S 2/2012 Stokke
 8,109,838 B2 2/2012 Solheim et al.
 D664,617 S 7/2012 Serrano
 D715,388 S 10/2014 Serrano
 D720,022 S * 12/2014 Rollinson D21/736
 D720,023 S * 12/2014 Rollinson D21/736
 D735,283 S 7/2015 Solheim
 D754,805 S 4/2016 Serrano
 D769,996 S * 10/2016 Abbott D21/744
 D774,609 S * 12/2016 Serrano D21/744
 D794,732 S * 8/2017 Jertson D21/744
 D797,872 S * 9/2017 Jertson D21/743
 2003/0083149 A1 5/2003 Scarpa et al.
 2005/0233829 A1 * 10/2005 Cameron A63B 53/0487
 473/340
 2006/0094533 A1 5/2006 Warren et al.
 2006/0166755 A1 7/2006 Brown
 2007/0191135 A1 8/2007 Nilsson et al.
 2010/0227704 A1 9/2010 Souza et al.
 2014/0179459 A1 6/2014 Schartiger et al.

* cited by examiner

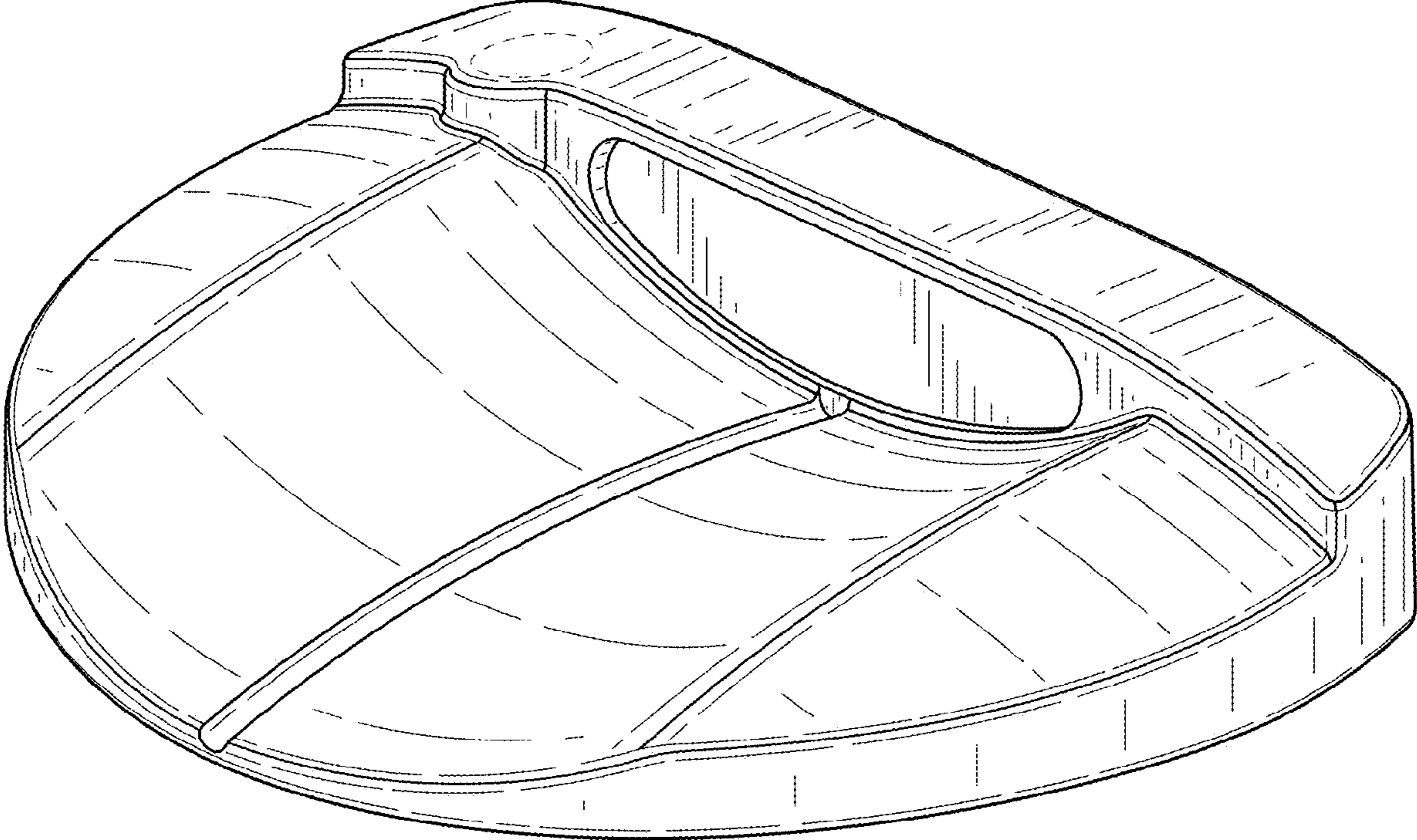


FIG. 1

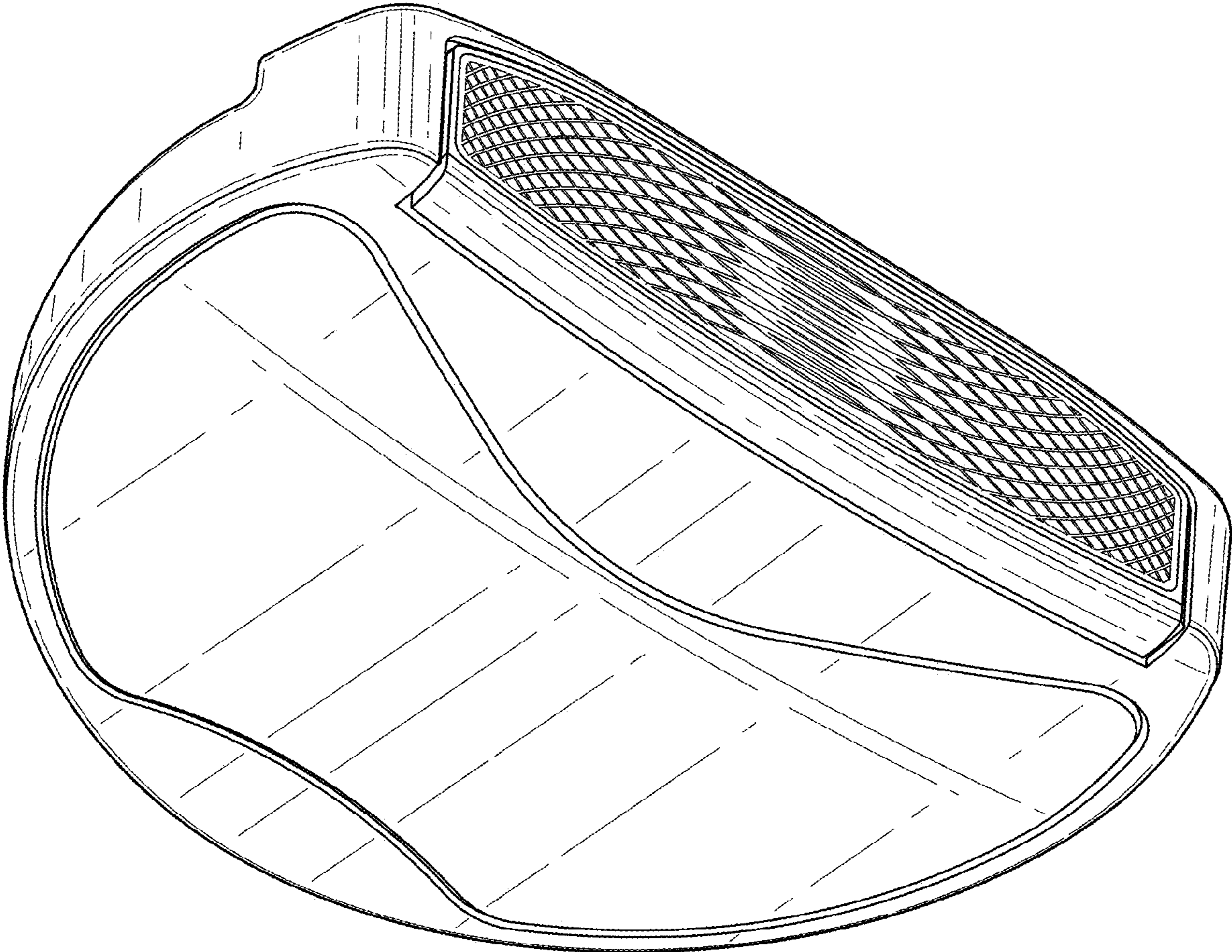


FIG. 2

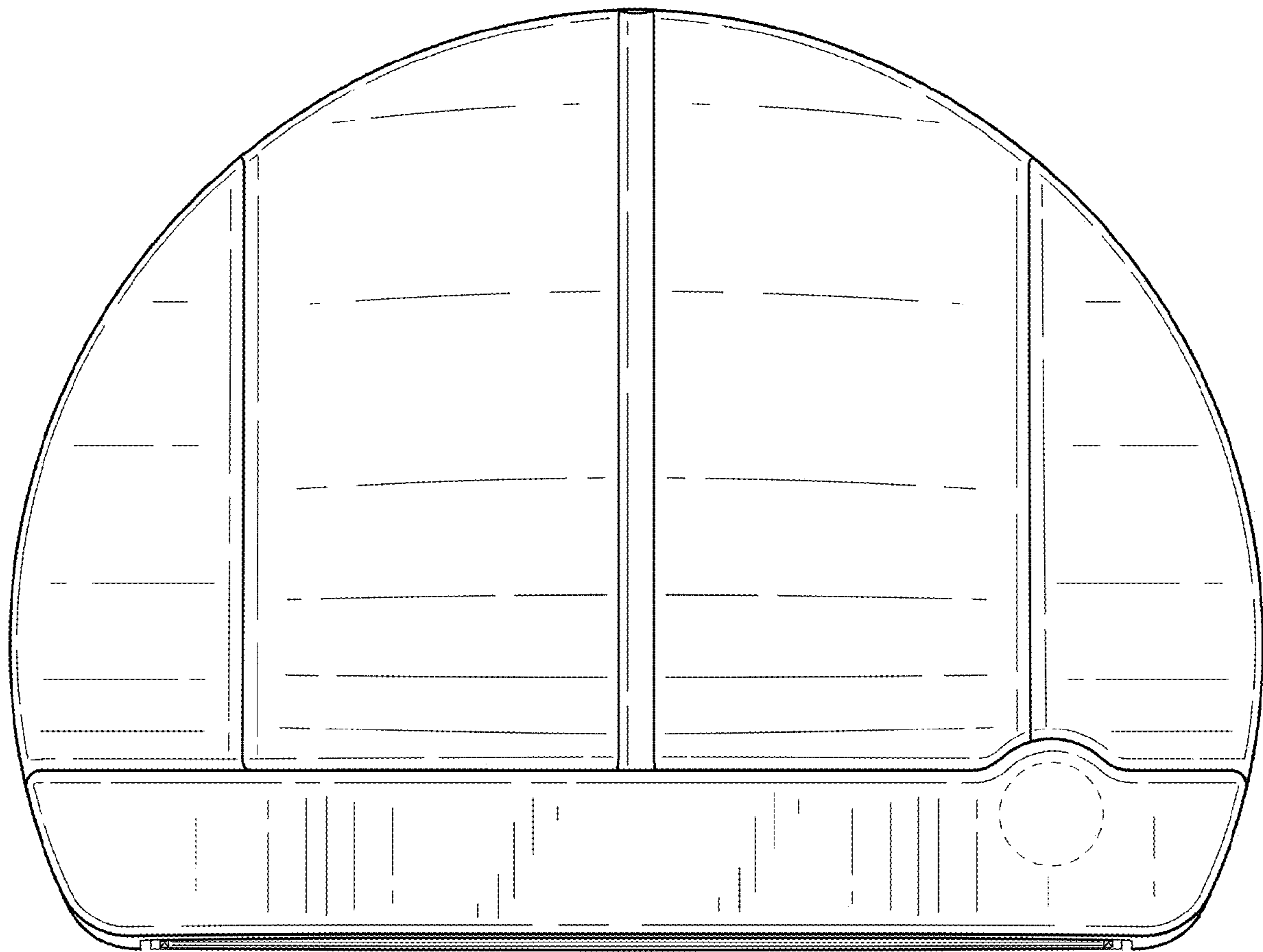


FIG. 3

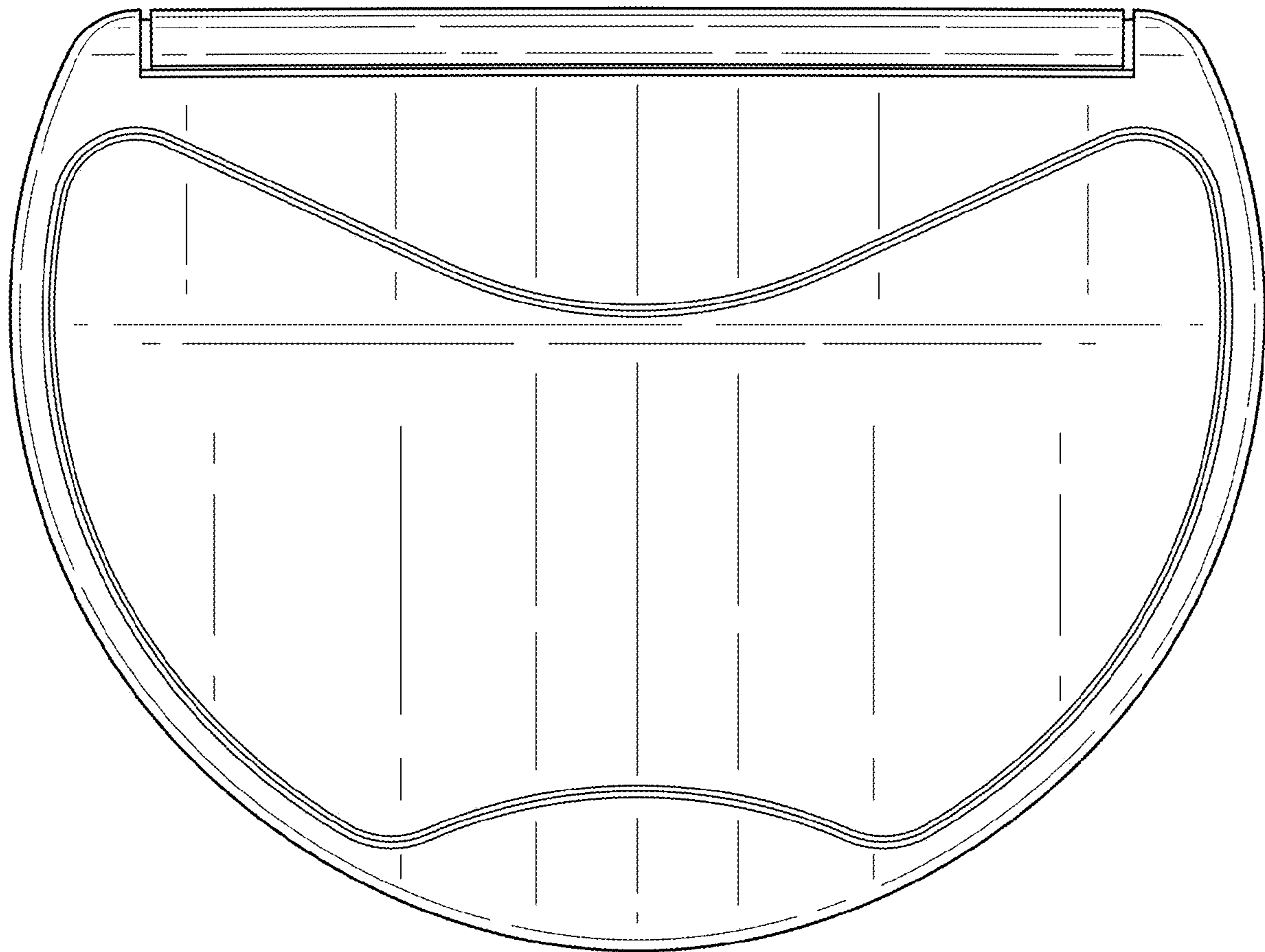


FIG. 4

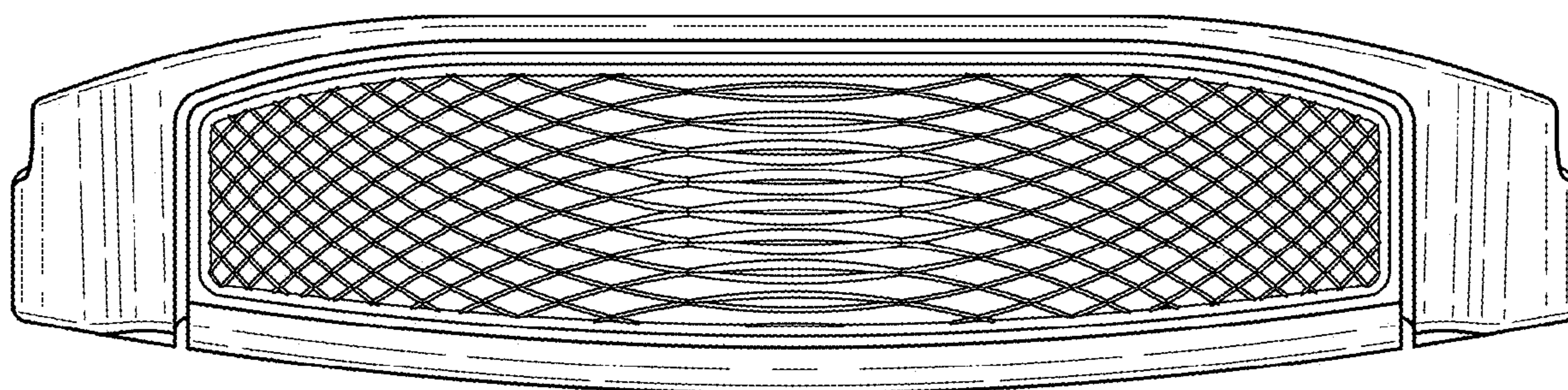


FIG. 5

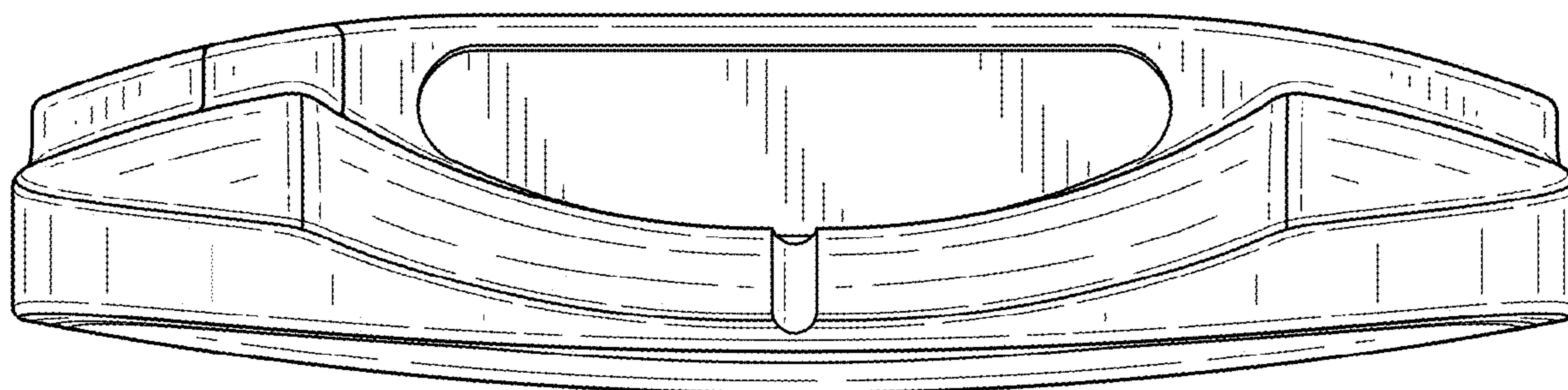


FIG. 6

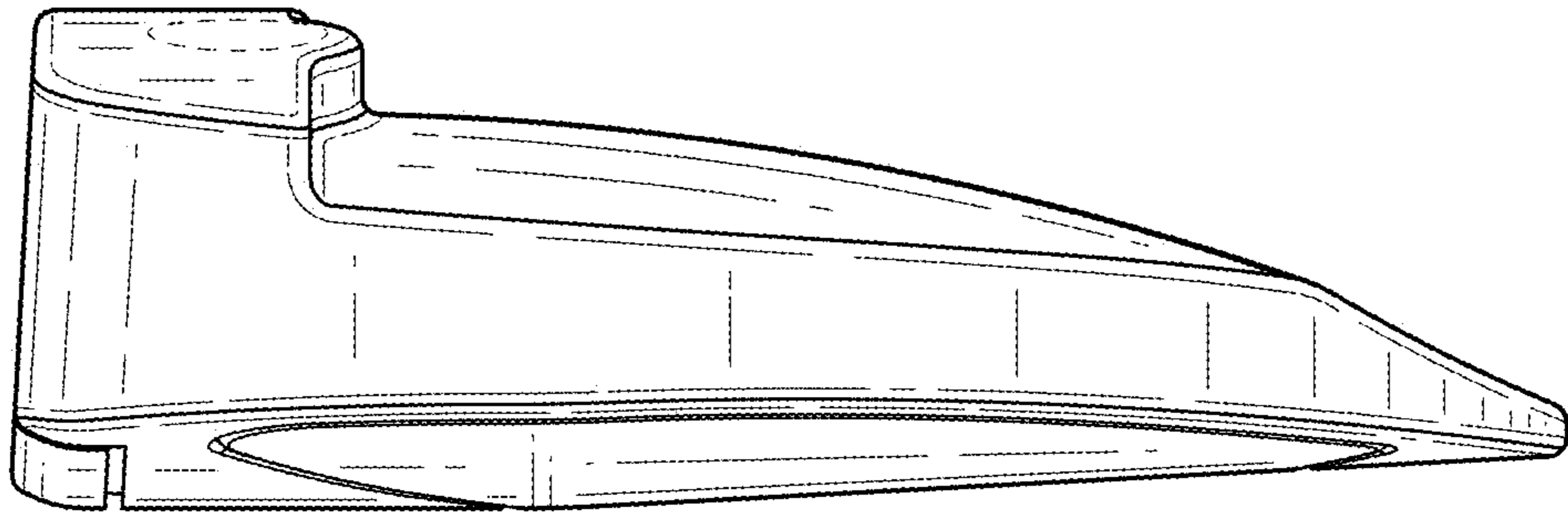


FIG. 7

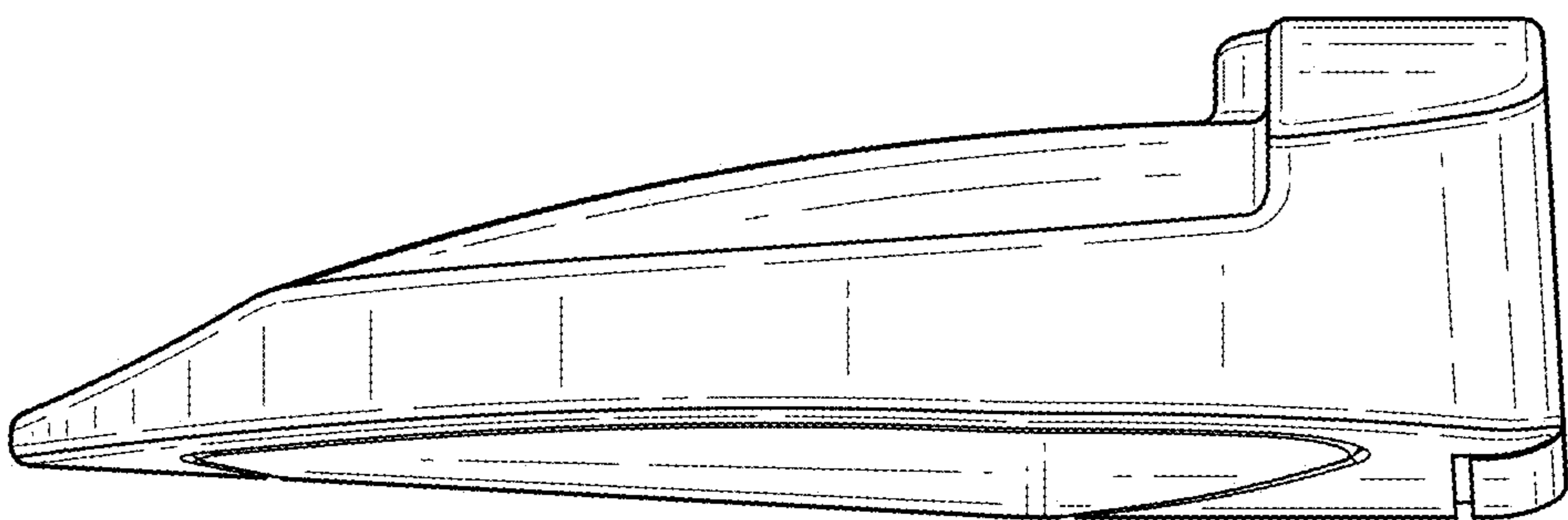


FIG. 8

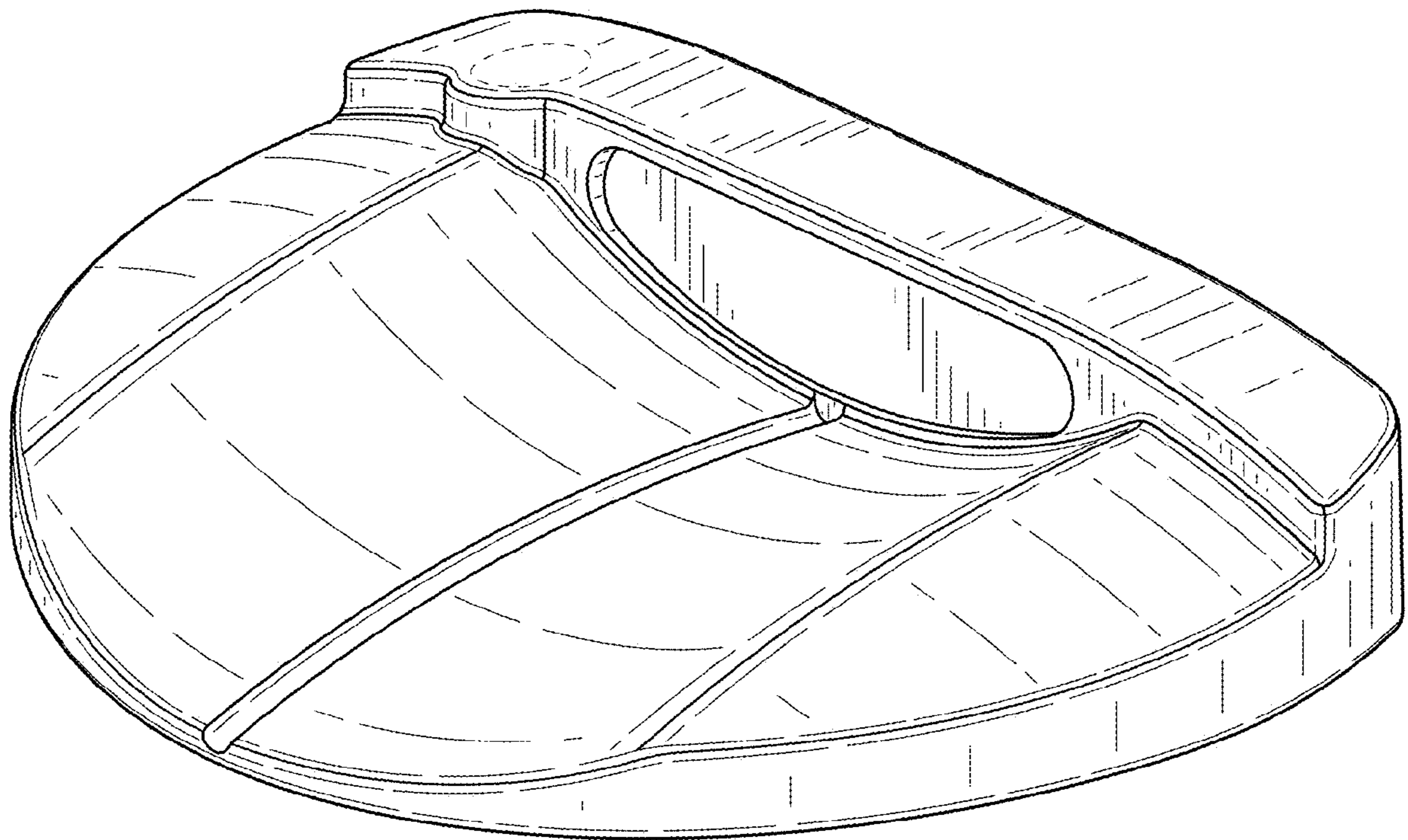


FIG. 9

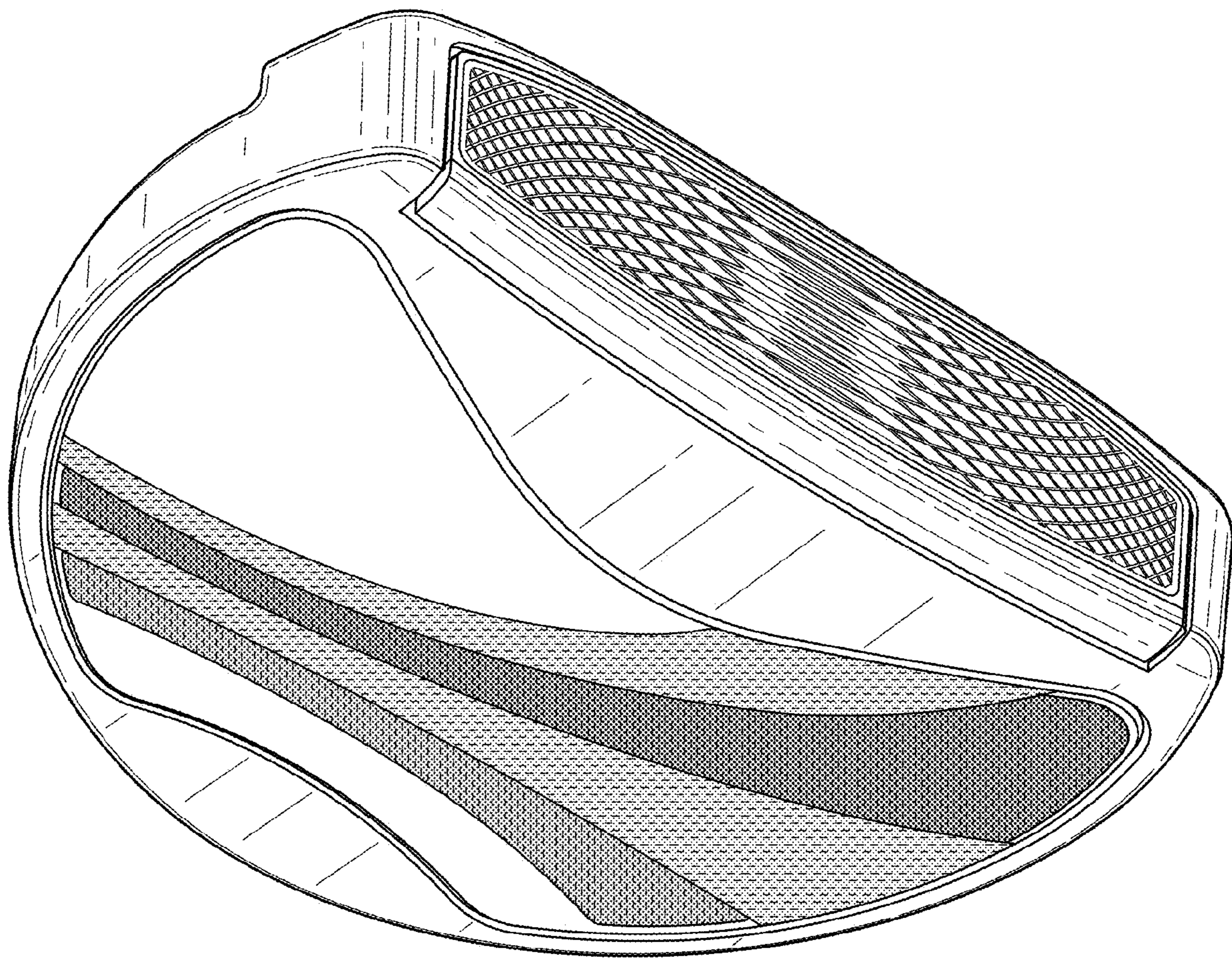


FIG. 10

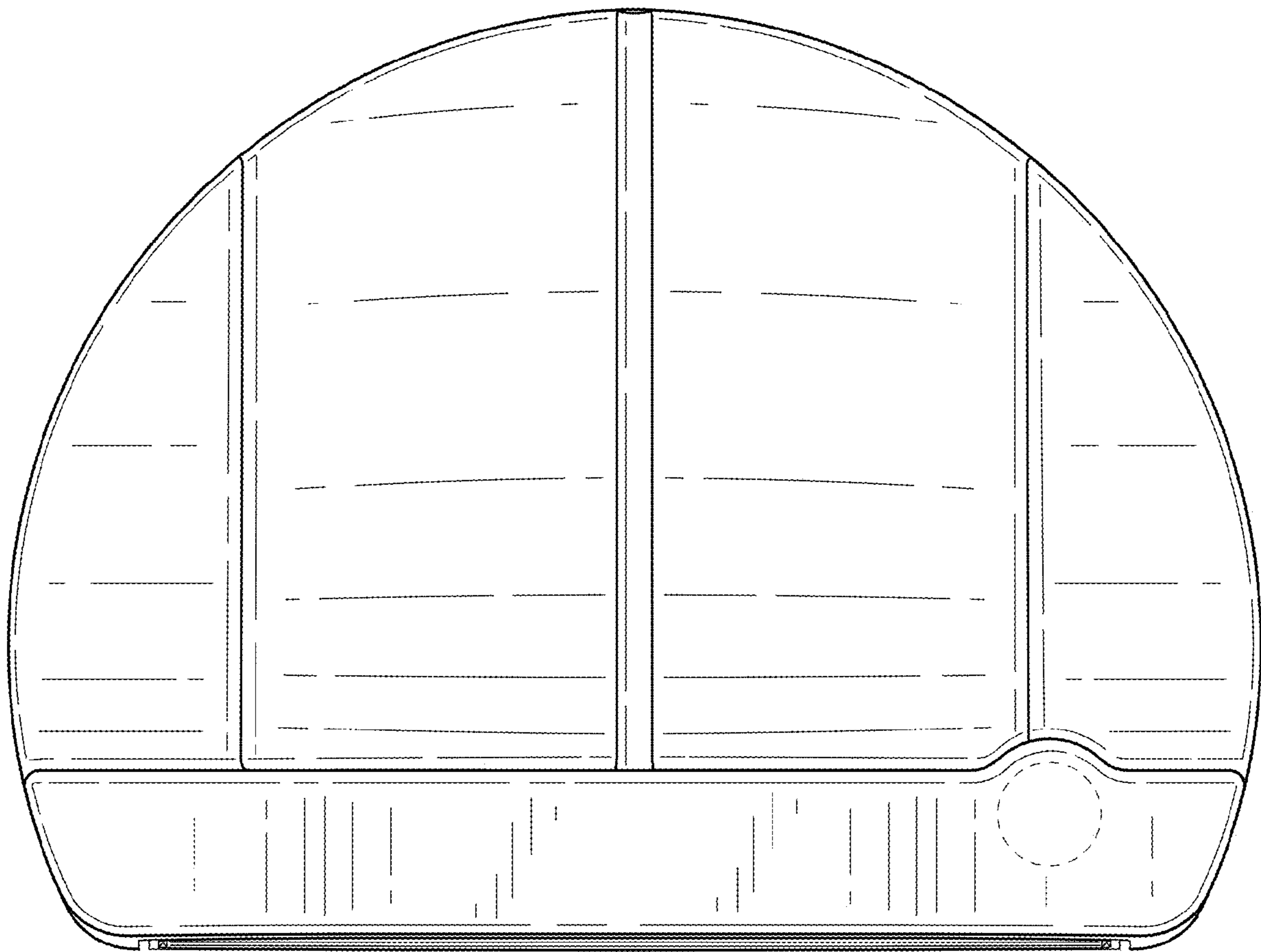


FIG. 11

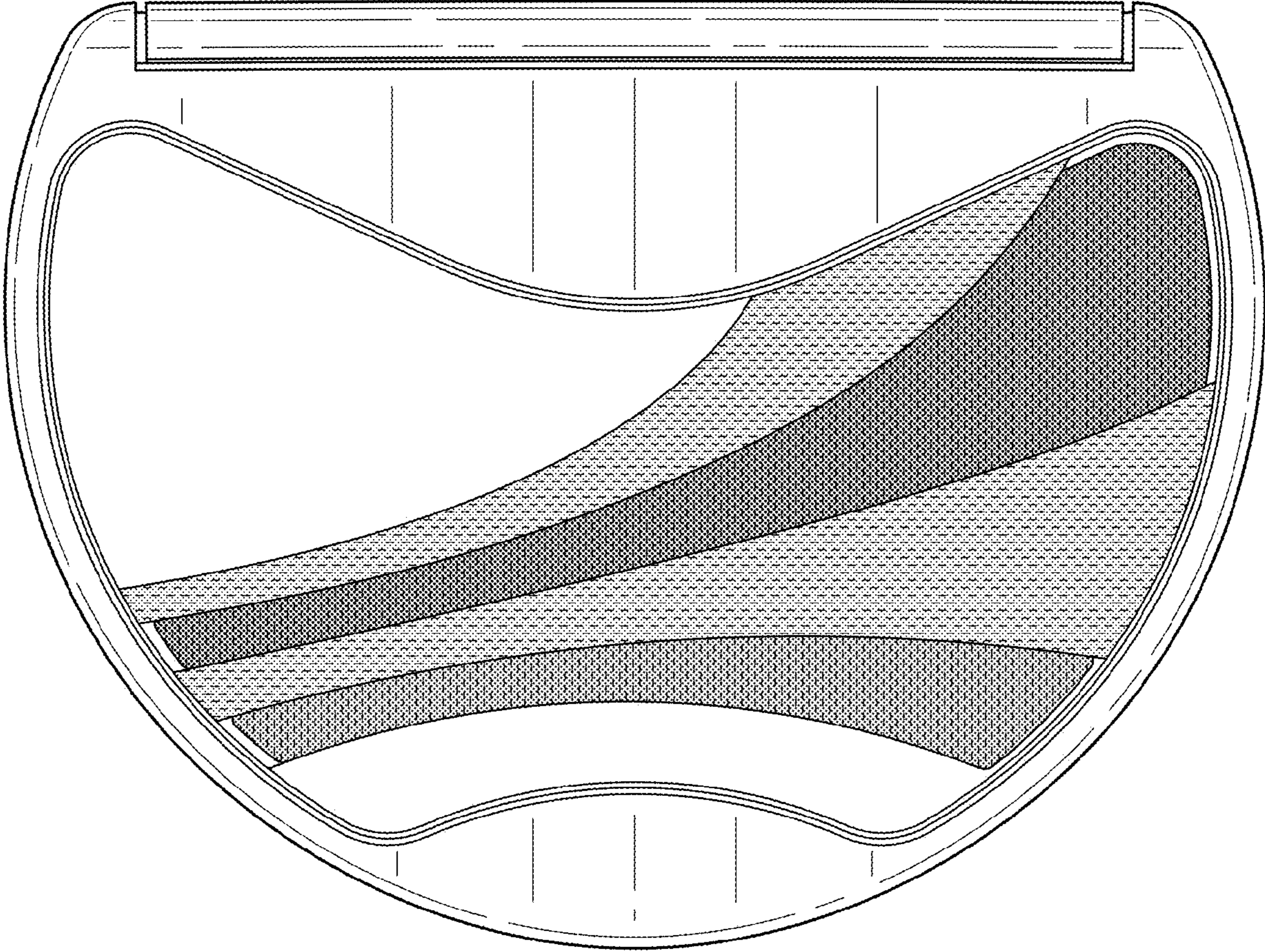


FIG. 12

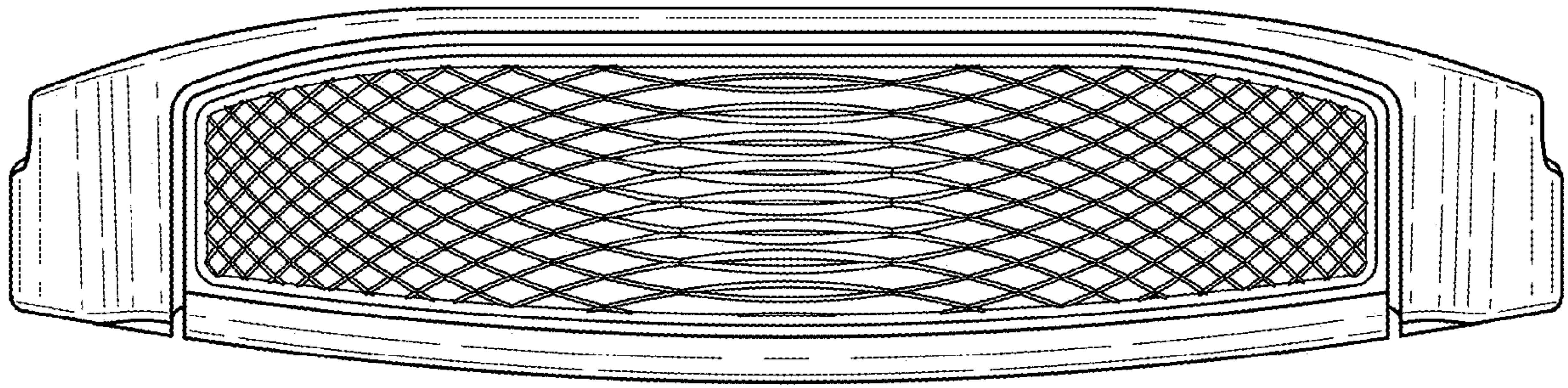


FIG. 13

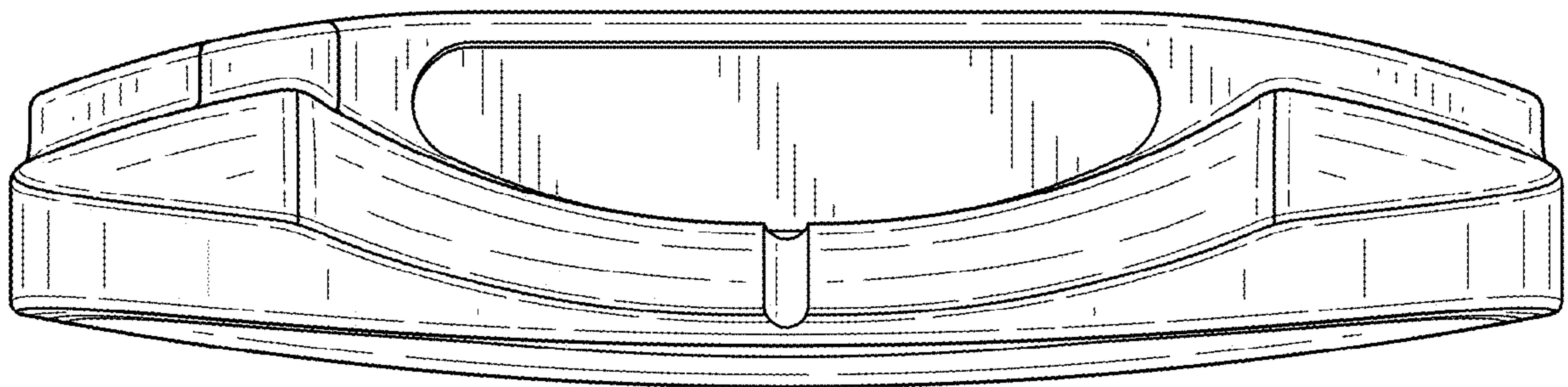


FIG. 14

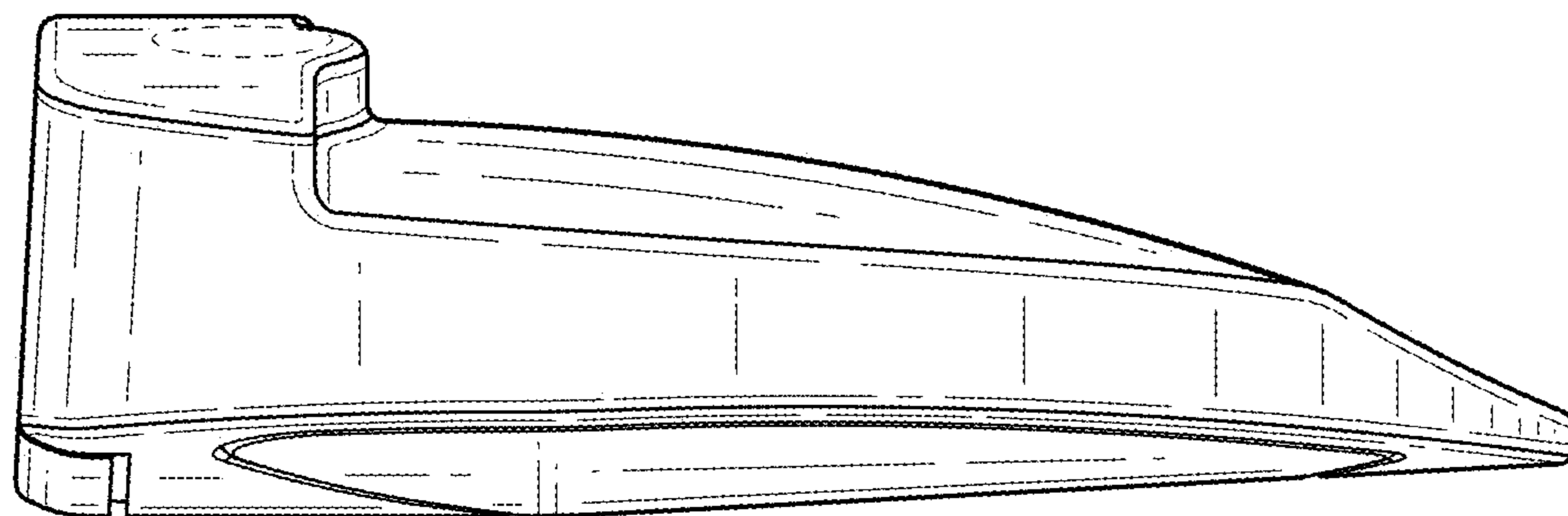


FIG. 15

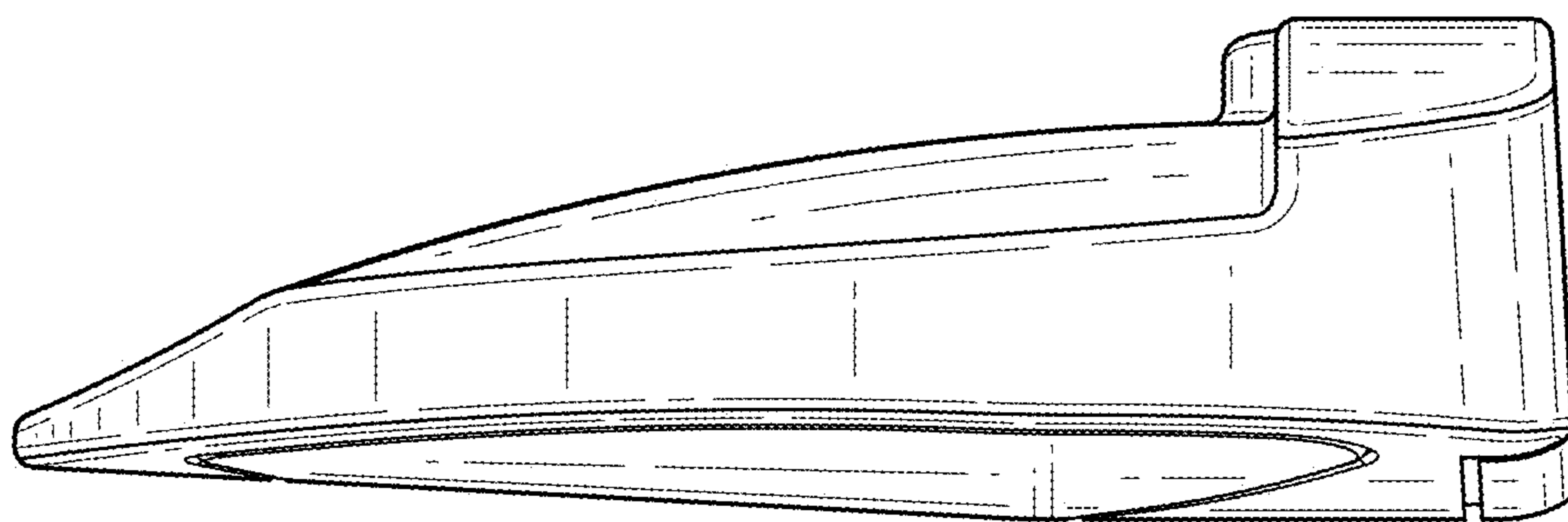


FIG. 16