



US00D874589S

(12) **United States Design Patent**
Parente et al.

(10) **Patent No.:** **US D874,589 S**

(45) **Date of Patent:** **** Feb. 4, 2020**

(54) **FLANGE BLADE PUTTER**

(71) Applicant: **Sacks Parente Golf Company, LLC**,
Westlake Village, CA (US)

(72) Inventors: **Richard E. Parente**, Imperial Beach,
CA (US); **Steven L. Sacks**, San Diego,
CA (US); **Gene Richard Parente**, San
Diego, CA (US)

(73) Assignee: **SACKS PARENTE GOLF**
COMPANY, LLC, Westlake Village,
CA (US)

(**) Term: **15 Years**

(21) Appl. No.: **29/665,902**

(22) Filed: **Oct. 8, 2018**

(51) **LOC (12) Cl.** **21-02**

(52) **U.S. Cl.**
USPC **D21/736**

(58) **Field of Classification Search**
USPC D21/736-746, 759
CPC A63B 53/00; A63B 53/04; A63B 53/007;
A63B 53/065; A63B 53/0487; A63B
60/00; A63B 60/46
See application file for complete search history.

(56) **References Cited**

U.S. PATENT DOCUMENTS

D223,031 S *	2/1972	Ernst	D21/740
D256,824 S *	9/1980	Ward	473/303
D260,160 S *	8/1981	Giebel	D21/739
D267,738 S *	1/1983	Giebel	D21/739
D293,926 S *	1/1988	Antonious	D21/740
D294,059 S *	2/1988	Antonious	D21/740
D299,043 S *	12/1988	Antonious	D21/740
D300,758 S *	4/1989	Antonious	D21/740

D300,759 S *	4/1989	Antonious	D21/740
D322,109 S *	12/1991	Antonious	D21/740
D322,111 S *	12/1991	Antonious	D21/740
D398,684 S *	9/1998	Masuda	D21/736
D399,275 S *	10/1998	Sheets	D21/742
D483,086 S *	12/2003	Schweigert	D21/736
D537,493 S *	2/2007	Cameron	D21/746
D625,374 S *	10/2010	Hettinger	D21/743
D641,438 S *	7/2011	Rollinson	D21/736
D769,994 S *	10/2016	Hunter	D21/743
D796,598 S *	9/2017	Serrano	D21/736
D842,406 S *	3/2019	Toulon	D21/759
2018/0311547 A1 *	11/2018	Busch	A63B 53/0487

* cited by examiner

Primary Examiner — Mitchell I. Siegel

(74) *Attorney, Agent, or Firm* — Steven M. Greenberg,
Esq.; Shutts & Bowen LLP

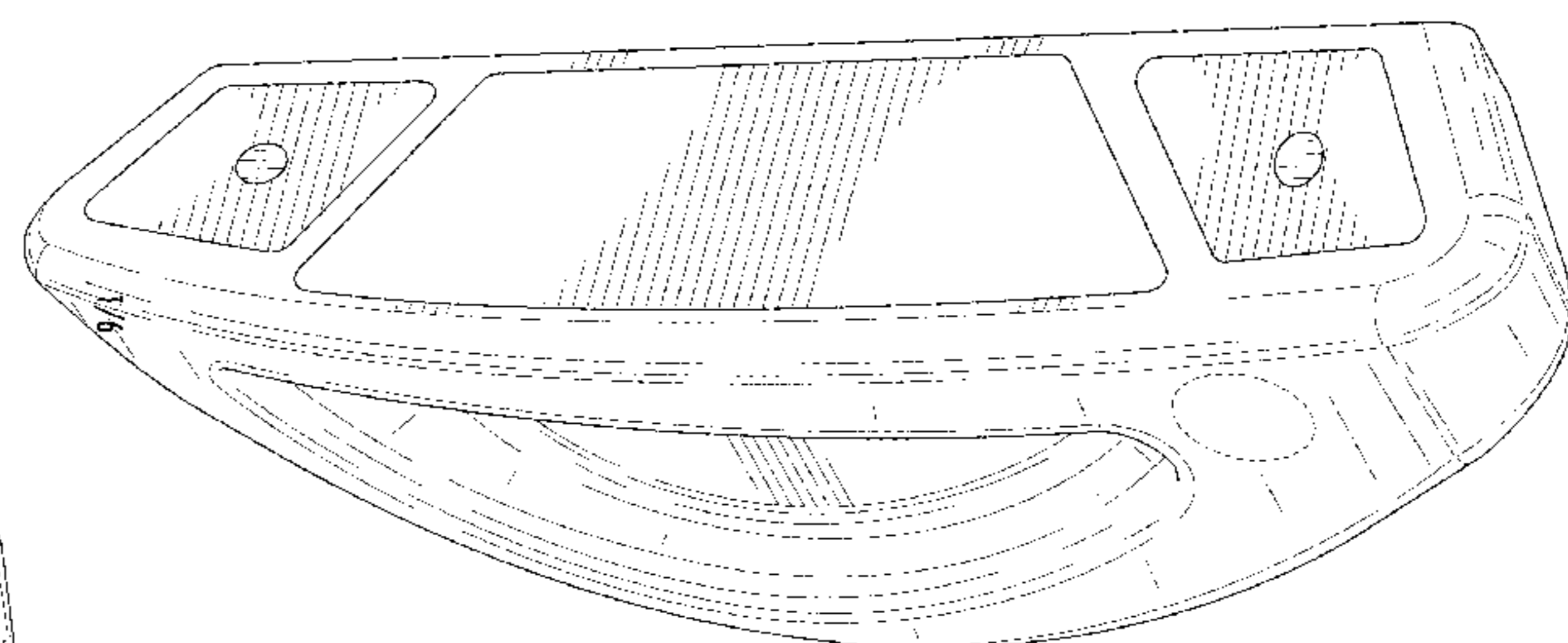
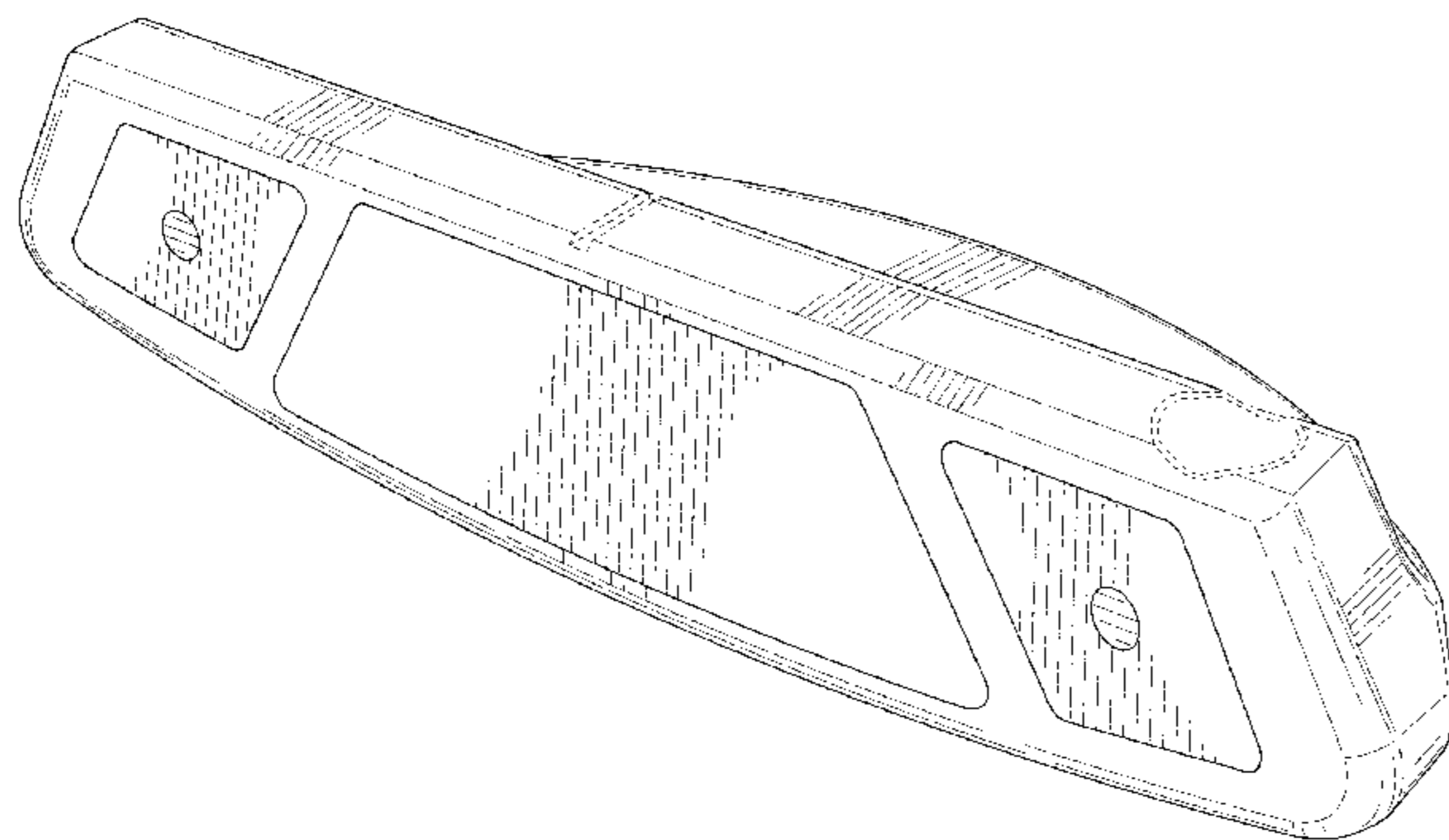
(57) **CLAIM**

The ornamental design for a flange blade putter, as shown and described.

DESCRIPTION

FIG. 1 is a top front perspective of a putter according to our invention;
FIG. 2 is a bottom front perspective view of the putter of FIG. 1;
FIG. 3 is a front view of the putter of FIG. 1;
FIG. 4 is a back view of the putter of FIG. 1;
FIG. 5 is a left view of the putter of FIG. 1;
FIG. 6 is a right view of the putter of FIG. 1;
FIG. 7 is a top view of the putter of FIG. 1; and,
FIG. 8 is a bottom view of the putter of FIG. 1.
The broken lines shown are included for the purpose of illustrating unclaimed subject matter and forms no part of the claimed design.

1 Claim, 6 Drawing Sheets



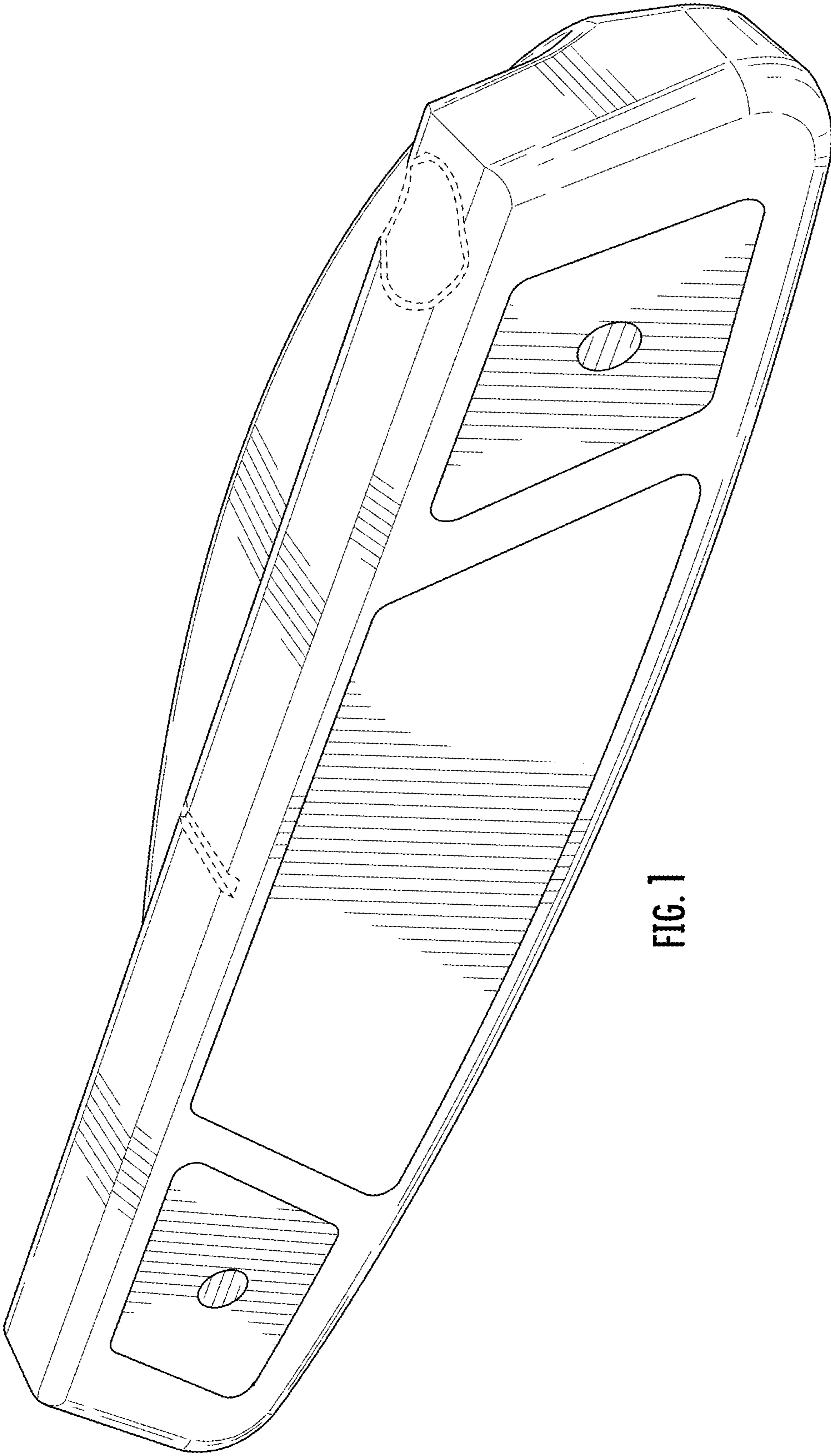


FIG. 1

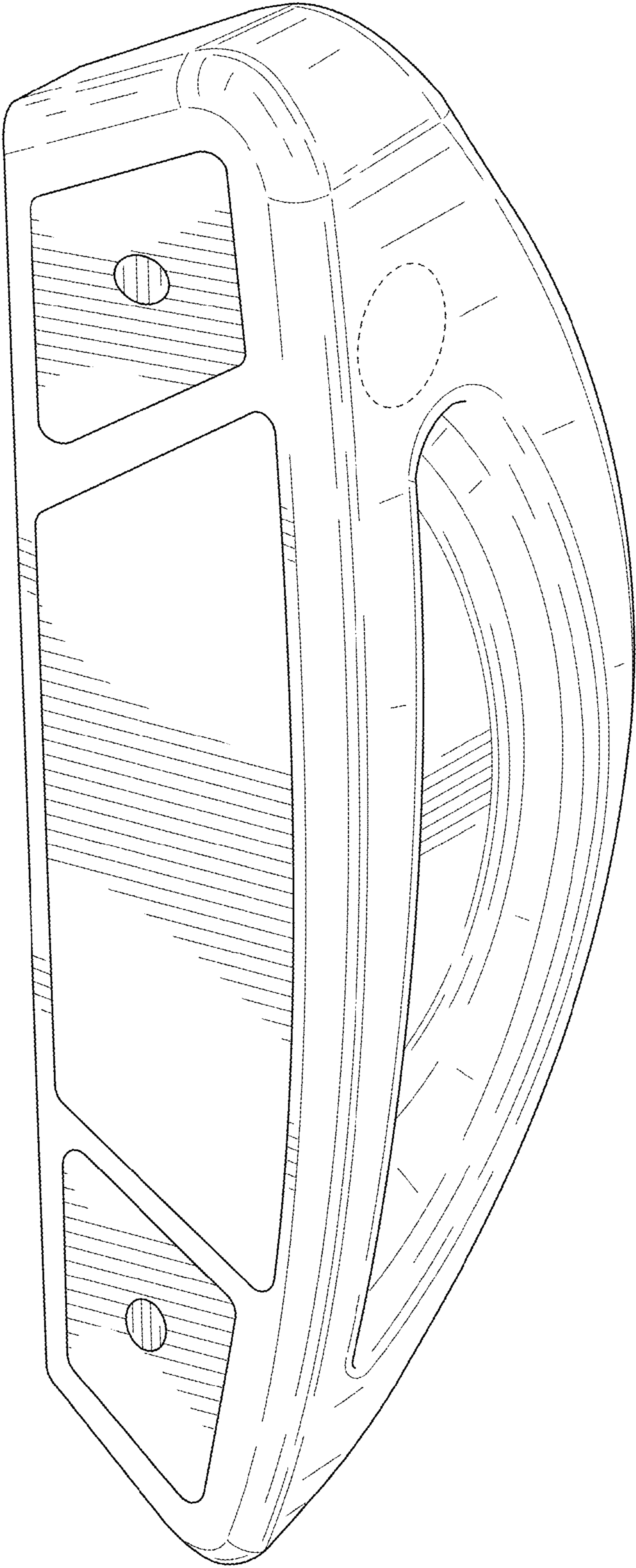


FIG. 2

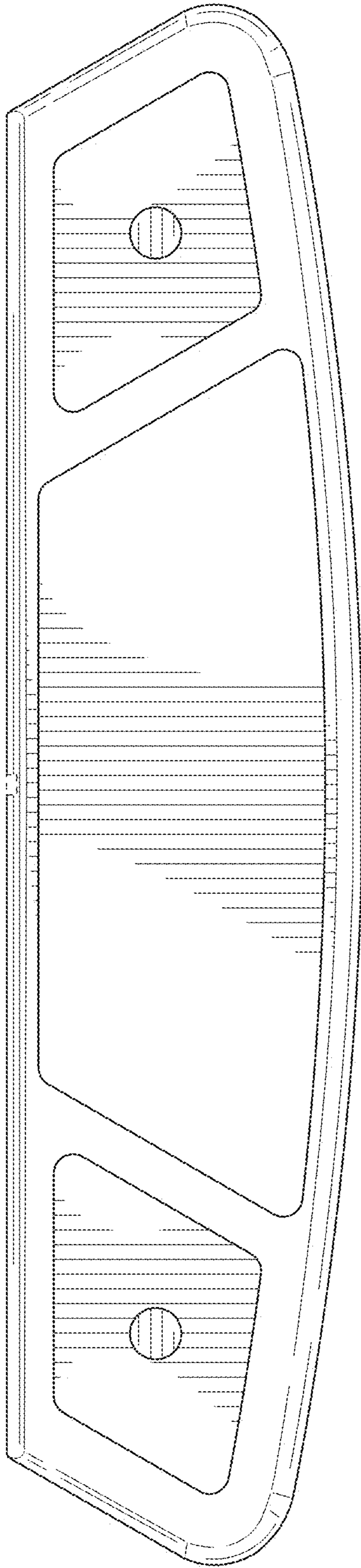


FIG. 3

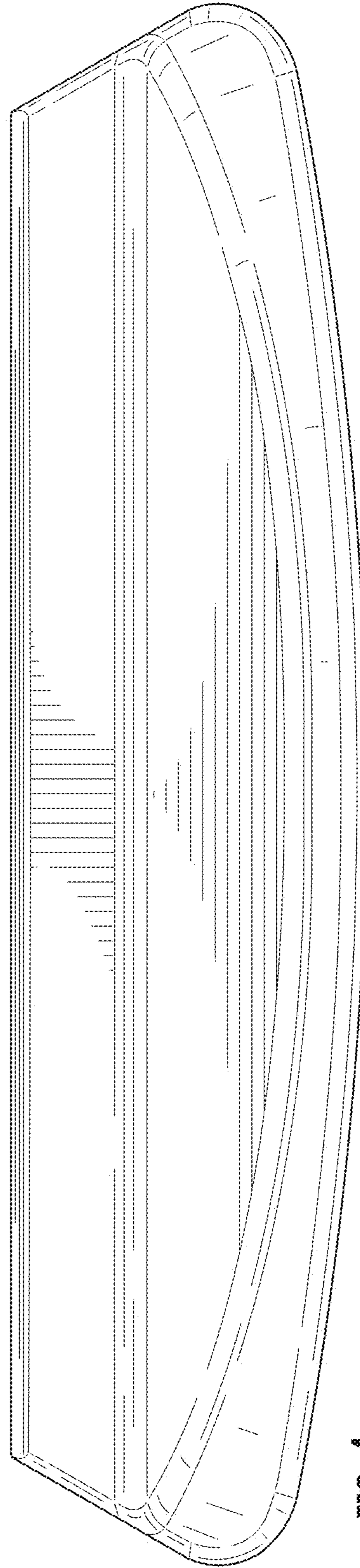


FIG. 4

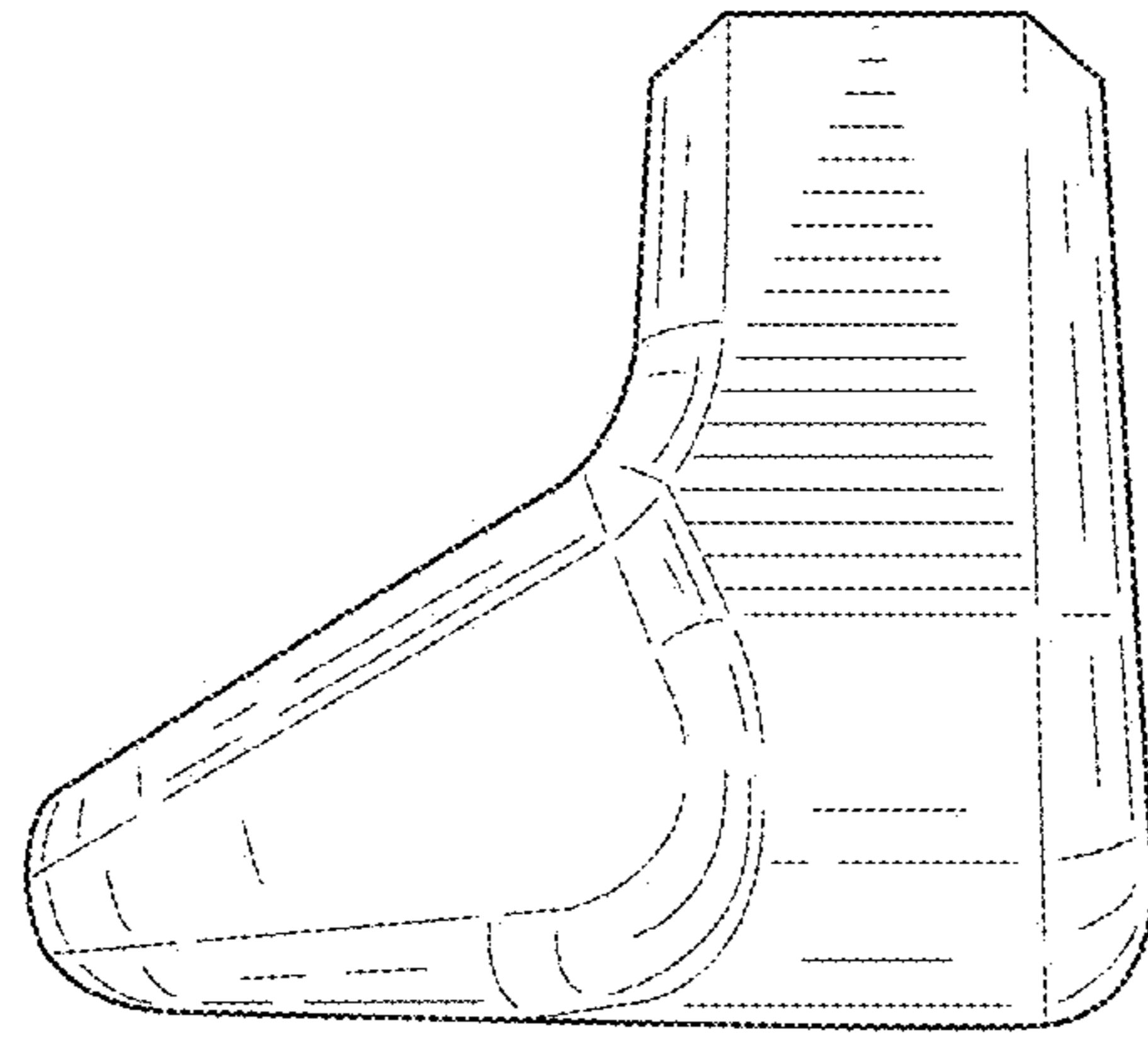


FIG. 5

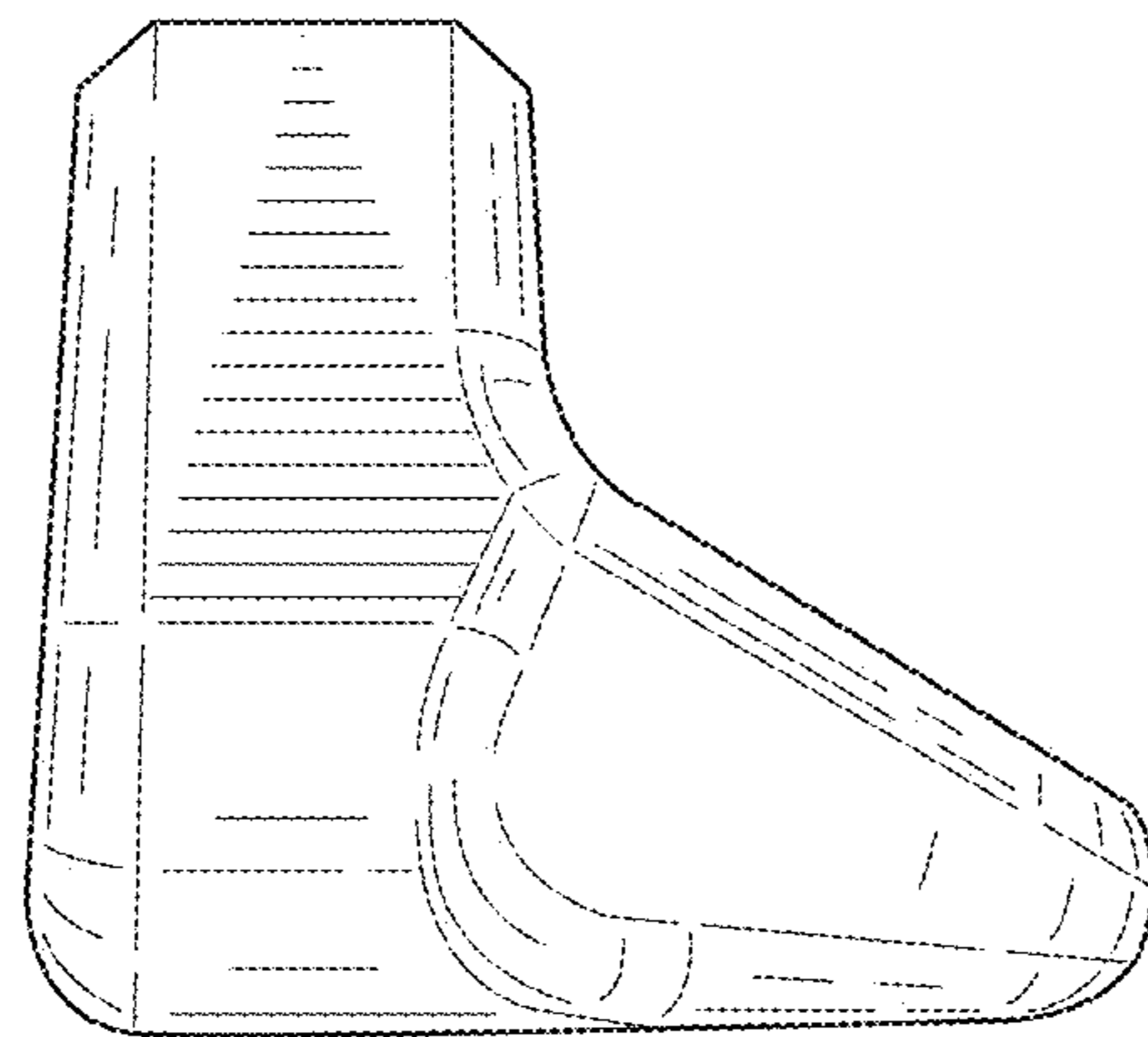


FIG. 6

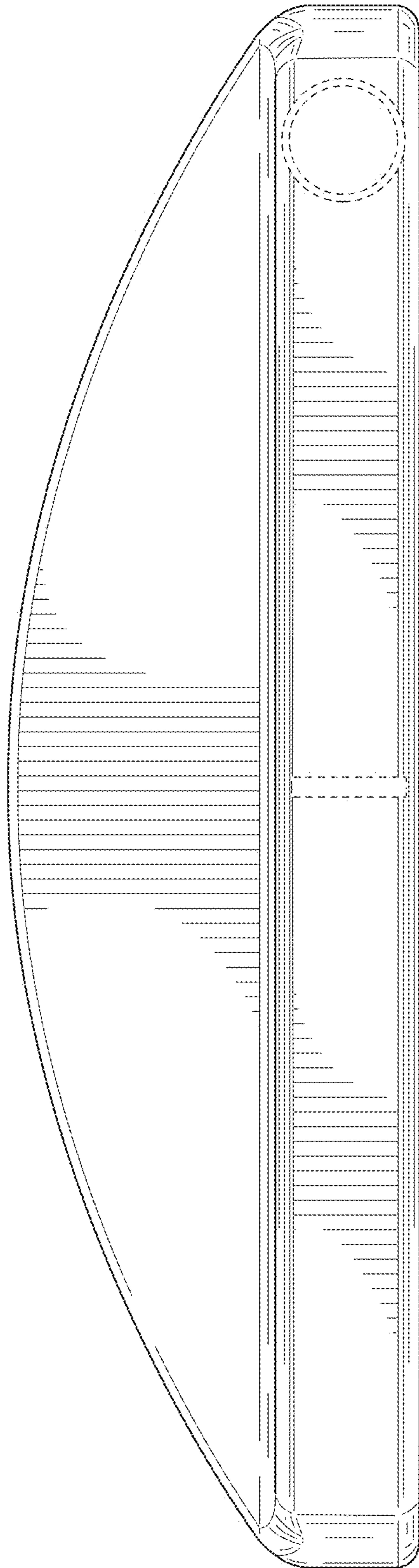


FIG. 7

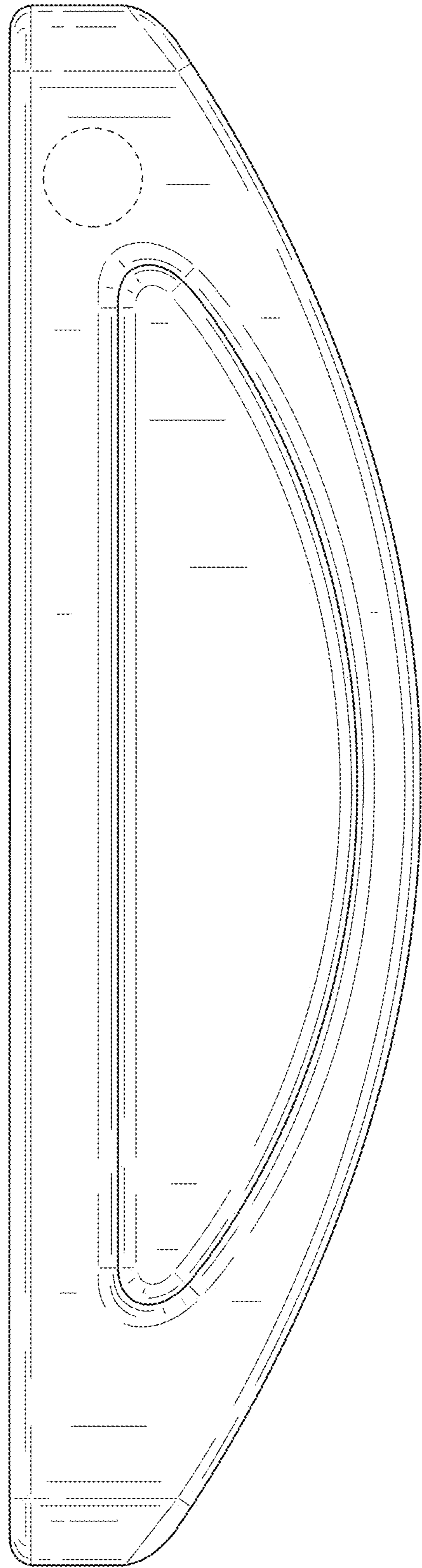


FIG. 8