



US00D874588S

(12) **United States Design Patent** (10) **Patent No.:** **US D874,588 S**
Hebert (45) **Date of Patent:** **** Feb. 4, 2020**

(54) **TOILET HOOP**
(71) Applicant: **Eric Michael Hebert**, Harrisburg, NC (US)
(72) Inventor: **Eric Michael Hebert**, Harrisburg, NC (US)
(73) Assignee: **Fairly Odd Treasures**, Concord, NC (US)
(**) Term: **15 Years**
(21) Appl. No.: **29/647,863**
(22) Filed: **May 16, 2018**
(51) **LOC (12) Cl.** **21-02**
(52) **U.S. Cl.**
USPC **D21/703; D21/303**
(58) **Field of Classification Search**
USPC D21/302, 303, 305, 473, 483, 530, D21/699-705; D11/133, 157; D32/37; D34/4; D23/297, 298, 312, 313; D6/524, 525, 539, 552, 563; D20/19, 29, D20/42; D10/2, 6; D19/59, 75, 77, 82, D19/95; 446/153, 227, 487; 473/479-489; 273/317.3, 398-410
CPC A63B 63/00; A63B 63/08; A63B 63/083; A63B 67/007; A63B 71/04; A63B 2225/055; A63B 2225/60; A63B 2225/68; A63H 23/00; A63H 23/10; A63H 23/16; A63H 33/00; A63H 33/30; A63H 33/3038; A63H 33/42; A63H 37/00
See application file for complete search history.

D309,808 S * 8/1990 Phelps D21/703
4,973,054 A * 11/1990 Metrosky A63B 21/1663
473/481
5,064,195 A * 11/1991 McMahan A63B 63/083
273/374
5,098,108 A * 3/1992 McKinney A63B 21/1645
211/119.004
5,480,140 A * 1/1996 Darnell A63B 63/083
248/340
D383,348 S * 9/1997 Frankel D21/703
5,827,136 A * 10/1998 Halter A63B 63/083
473/447
D429,896 S * 8/2000 Clarke D21/703
D722,119 S * 2/2015 Nguyen D21/699
D848,794 S * 5/2019 Hebert D7/515
2008/0081713 A1 * 4/2008 Huang A63B 63/083
473/481

(Continued)

FOREIGN PATENT DOCUMENTS

CN 303951102 * 11/2016
KR 300864330.0000 * 7/2016
WO WO-2015173511 A1 * 11/2015 A63B 63/083

Primary Examiner — Catherine A Tuttle

(57) **CLAIM**

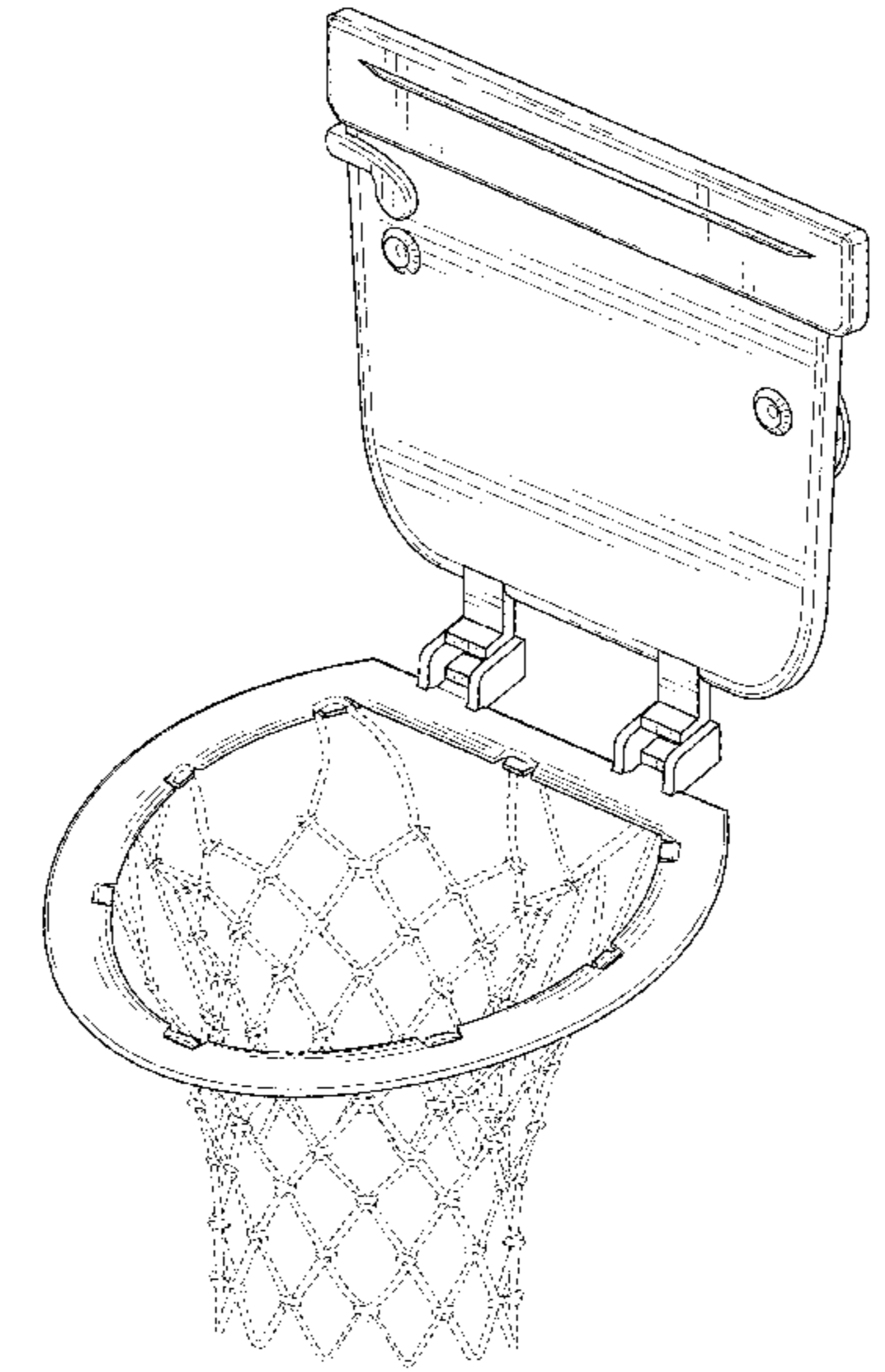
The ornamental design for a toilet hoop, as shown and described.

DESCRIPTION

FIG. 1 is a perspective view of a toilet hoop showing my new design;
FIG. 2 is a front view thereof;
FIG. 3 is a back view thereof;
FIG. 4 is a left side view thereof;
FIG. 5 is a right side view thereof;
FIG. 6 is a top view thereof; and,
FIG. 7 is a left bottom view thereof.
The netting shown in broken lines forms no part of the claimed design.

1 Claim, 7 Drawing Sheets

(56) **References Cited**
U.S. PATENT DOCUMENTS
D199,729 S * 12/1964 Kaiser D23/313
3,181,176 A * 5/1965 Nagy A47K 17/00
108/27



(56)

References Cited

U.S. PATENT DOCUMENTS

2013/0082077 A1* 4/2013 Millman A45F 4/02
224/153

* cited by examiner

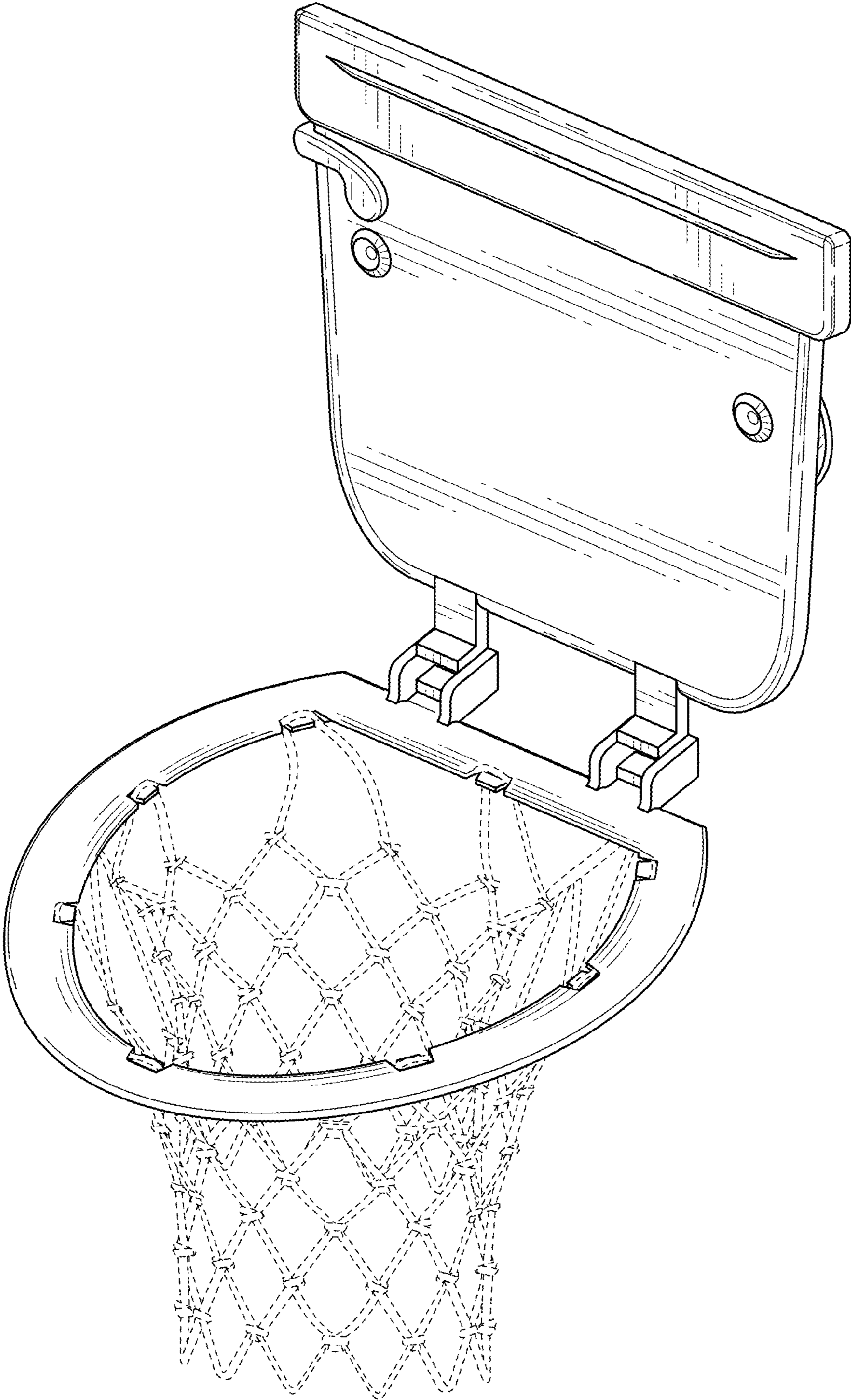


FIG. 1

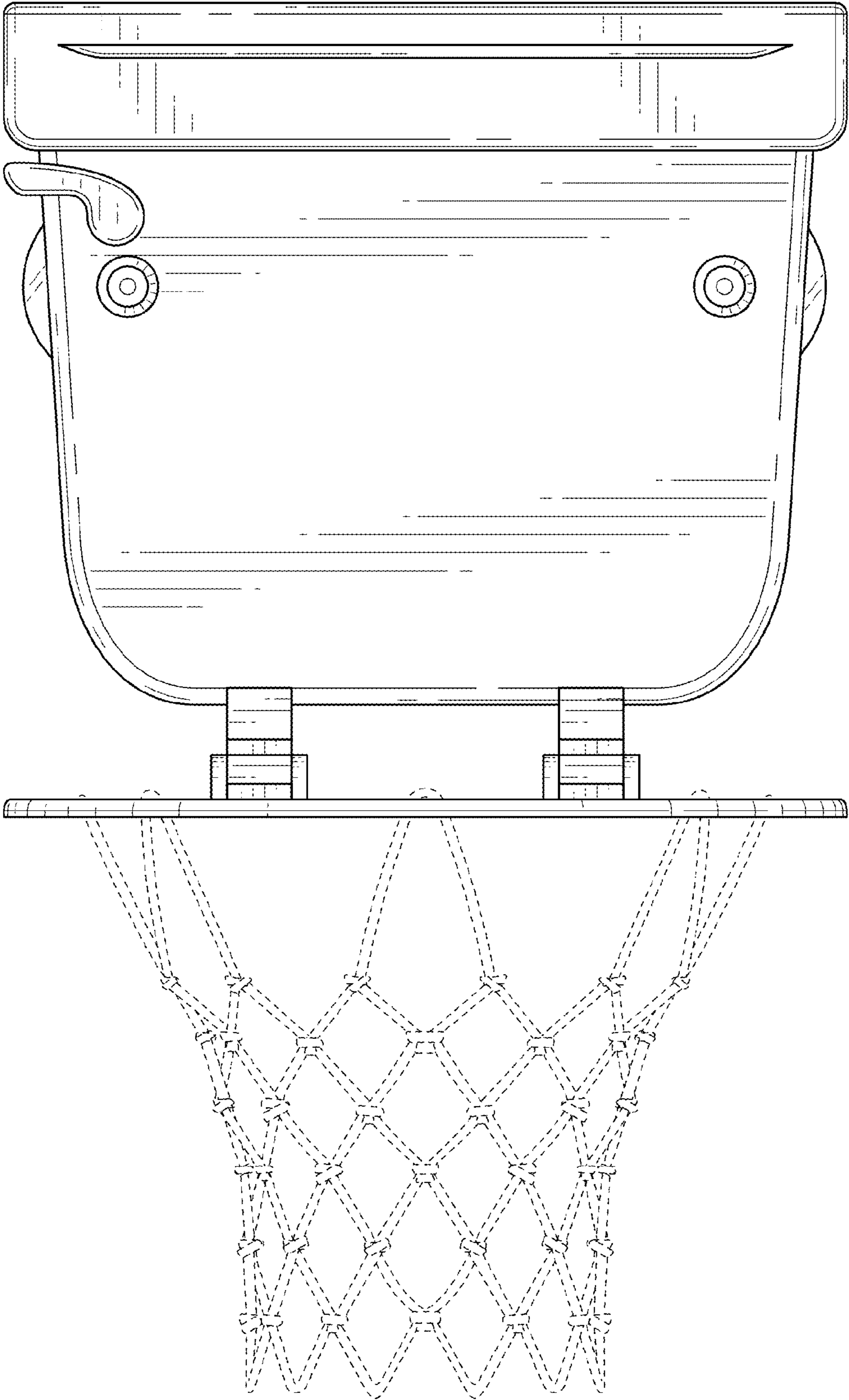


FIG. 2

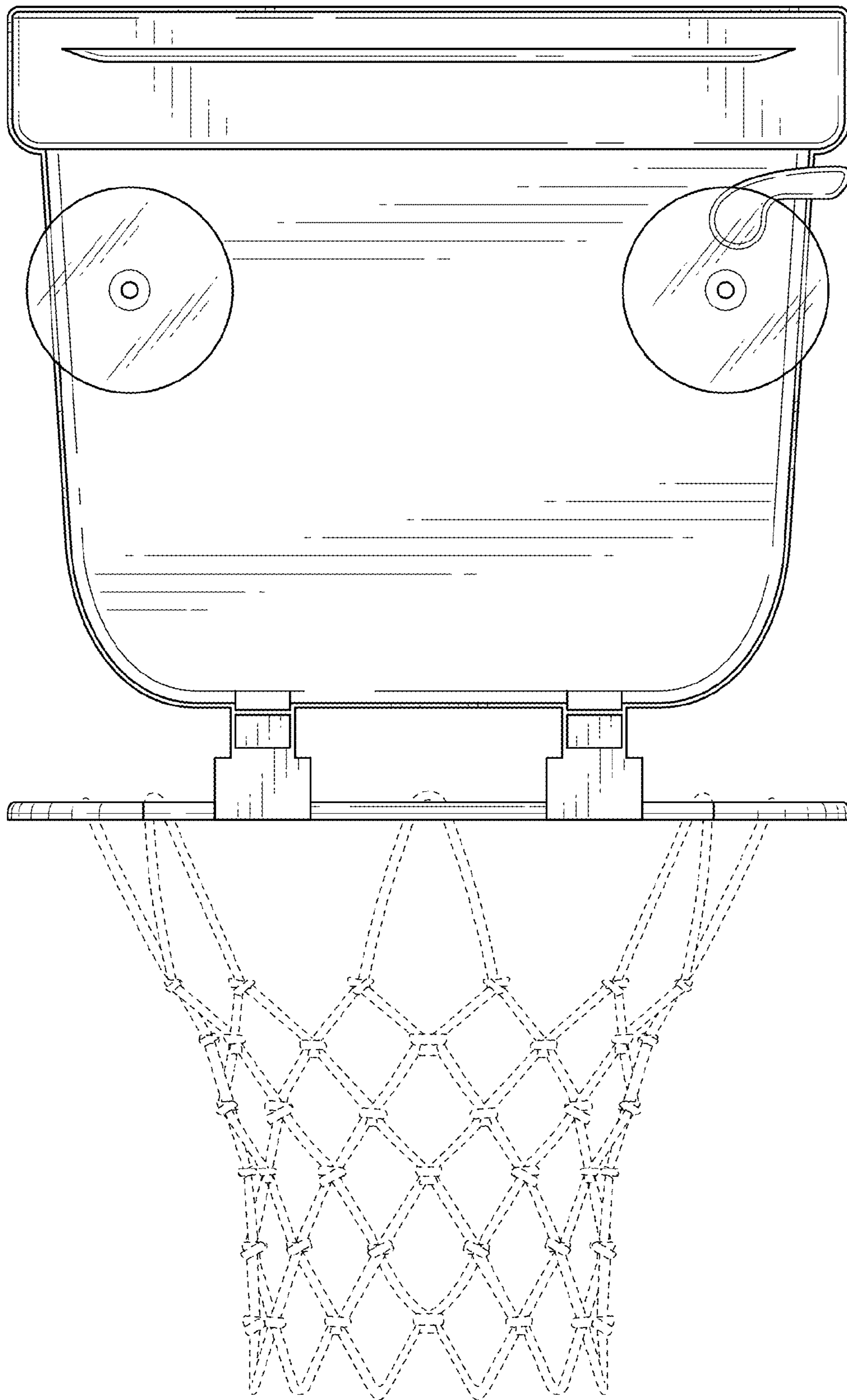


FIG. 3

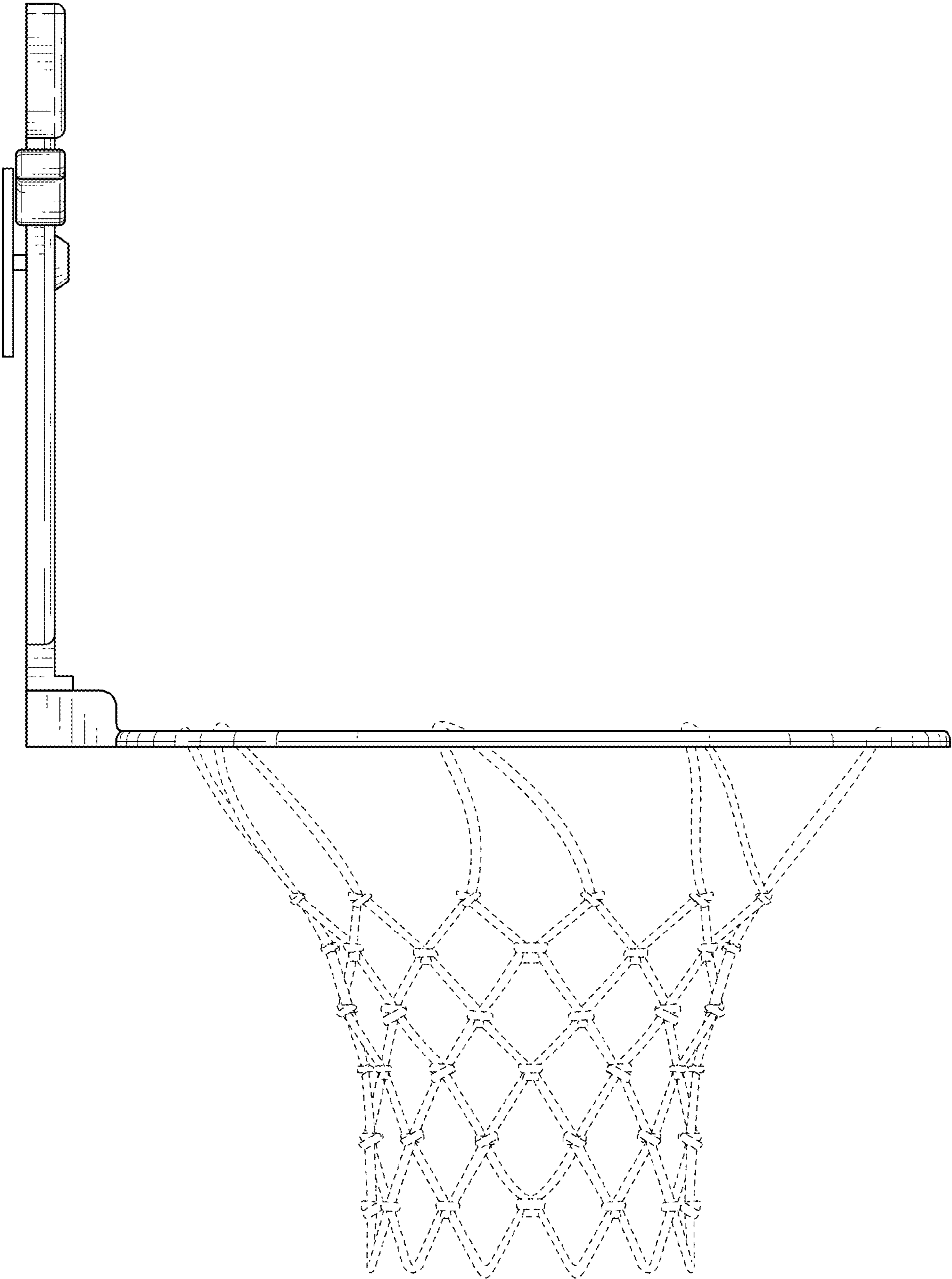


FIG. 4

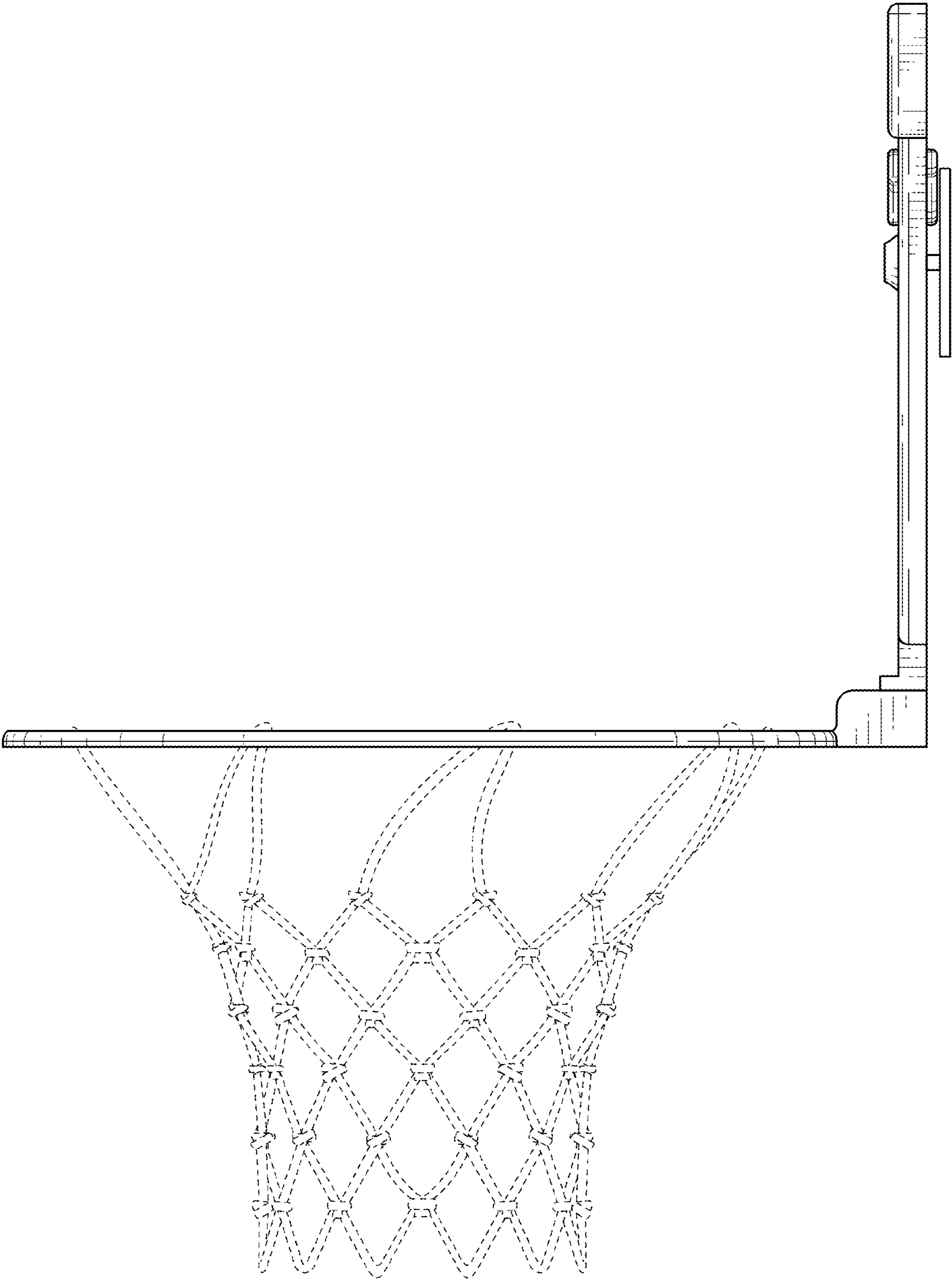


FIG. 5

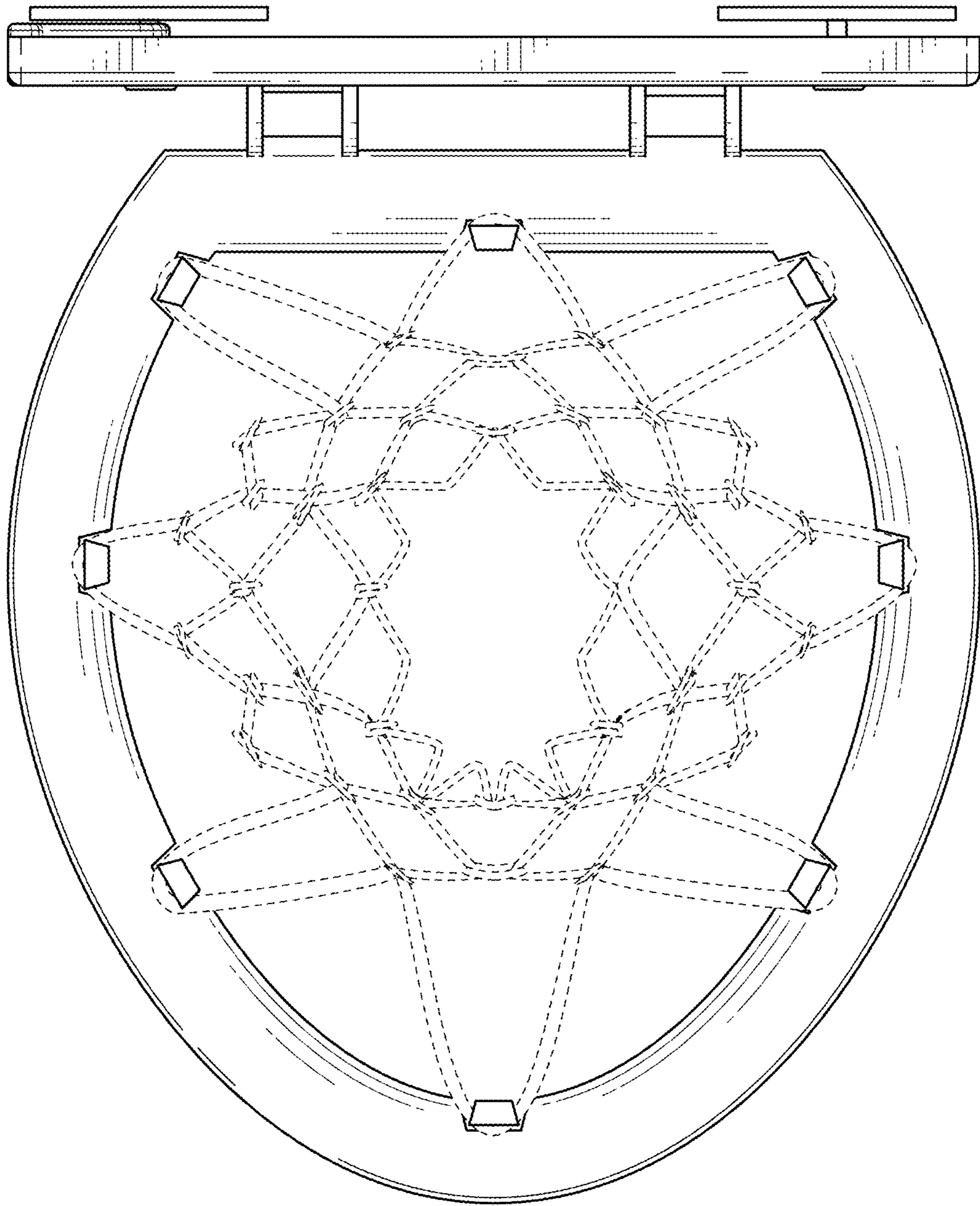


FIG. 6

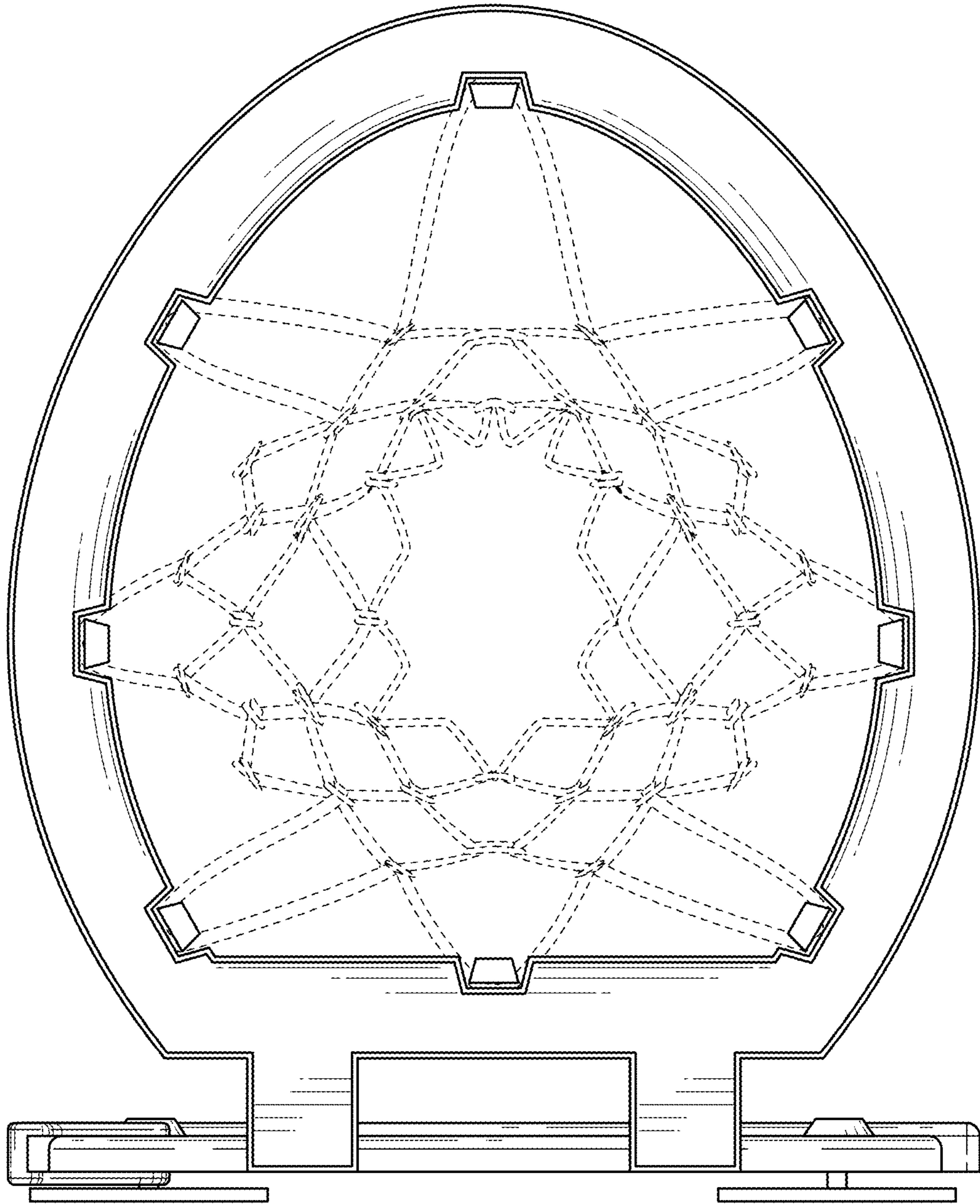


FIG. 7