



US00D874587S

(12) **United States Design Patent**
Cunningham et al.

(10) **Patent No.:** **US D874,587 S**

(45) **Date of Patent:** **** Feb. 4, 2020**

(54) **SPORT REBOUNDER**

(71) Applicants: **Jocelyn W. Cunningham**, San Antonio, TX (US); **Jeffery R. Cunningham**, San Antonio, TX (US)

(72) Inventors: **Jocelyn W. Cunningham**, San Antonio, TX (US); **Jeffery R. Cunningham**, San Antonio, TX (US)

(**) Term: **15 Years**

(21) Appl. No.: **29/629,615**

(22) Filed: **Dec. 14, 2017**

(51) **LOC (12) Cl.** **21-02**

(52) **U.S. Cl.**
USPC **D21/699**; D21/698

(58) **Field of Classification Search**
USPC D21/302, 303, 305, 306, 307, 698, 699, D21/700, 704, 705, 706, 780, 788, 790, D21/791, 800, 837, 839; D20/10, 15, 19, D20/42, 99; D10/109.1, 113.1, 113.2, D10/113.3, 113.4, 114.4, 114.5, 114.8; D26/31, 89, 91, 128; 473/422, 431, 434, 473/435, 439, 446, 470, 471, 476-478
CPC A63B 63/00; A63B 63/003; A63B 63/004; A63B 63/008; A63B 2063/001; A63B 69/00; A63B 69/002; A63B 69/0097; A63B 2244/088

See application file for complete search history.

(56) **References Cited**

U.S. PATENT DOCUMENTS

D47,153 S *	3/1915	Franks	D26/128
D110,255 S *	6/1938	Nemeroff	D26/128
D123,766 S *	12/1940	Sacksteder, Jr.	D26/128
D190,759 S *	6/1961	Schreckengost	D26/128
3,671,040 A *	6/1972	Meyer	A63B 67/002 473/473

D240,244 S *	6/1976	Clemmons, Sr.	D21/699
5,207,432 A *	5/1993	Miller	A63B 67/002 273/342
5,524,900 A *	6/1996	Allen	A63B 69/0097 273/396
D390,897 S *	2/1998	Wade	D21/706
D437,245 S *	2/2001	Hurley	D10/109.1
D537,488 S *	2/2007	Mazloompour	D21/698
D560,534 S *	1/2008	Verduijn	D10/113.2
D632,352 S *	2/2011	Pauletto	D21/800
2005/0192125 A1 *	9/2005	Valliquette	A63B 63/00 473/446
2007/0191132 A1 *	8/2007	Bangerter	A47B 25/003 473/296
2016/0166904 A1 *	6/2016	Bush	A63B 69/0097 434/251
2017/0203176 A1 *	7/2017	Moros	G09B 19/0038

FOREIGN PATENT DOCUMENTS

CA 2989060 A1 * 6/2018 A63B 69/0026

* cited by examiner

Primary Examiner — Catherine A Tuttle

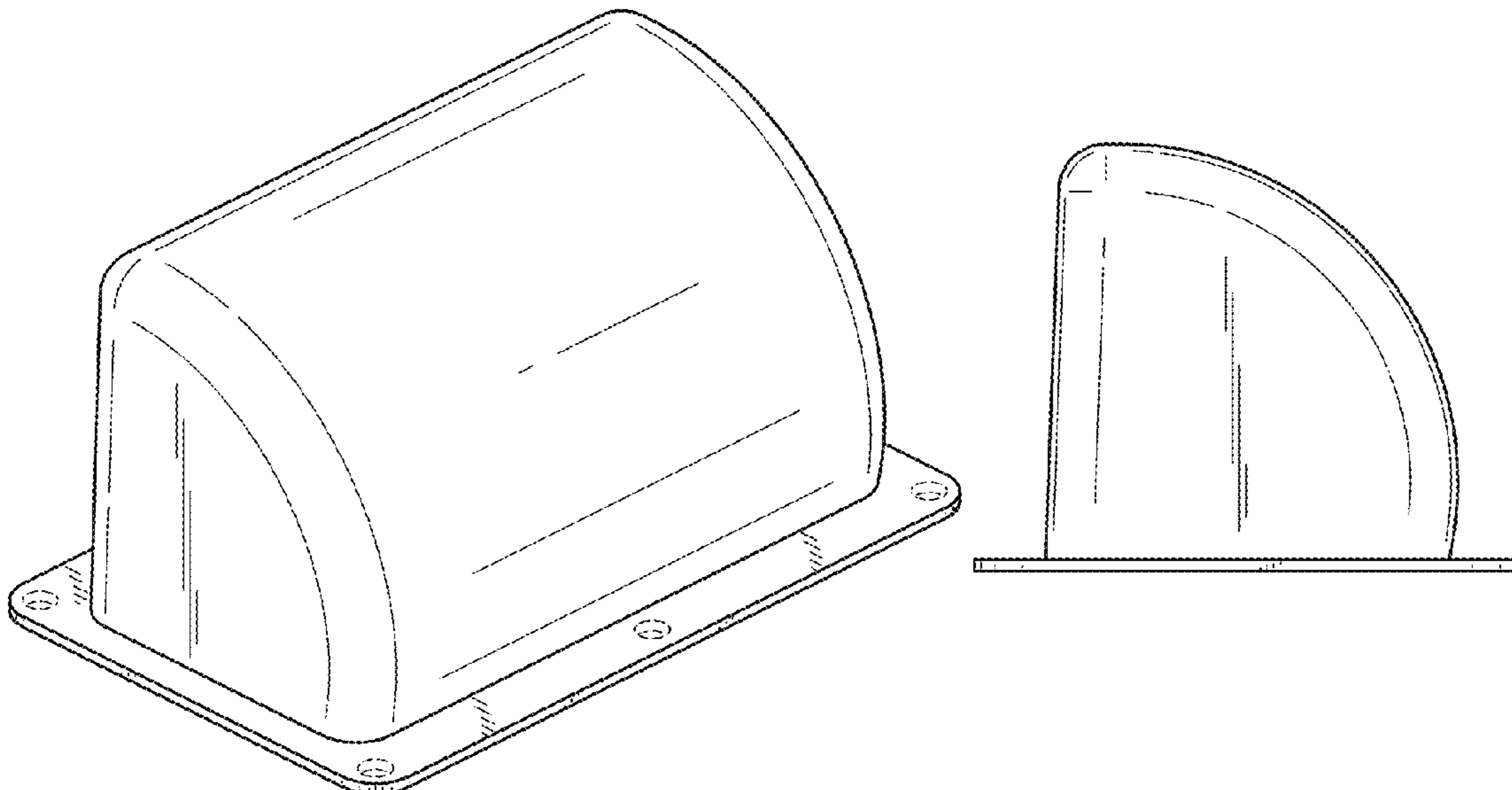
(57) **CLAIM**

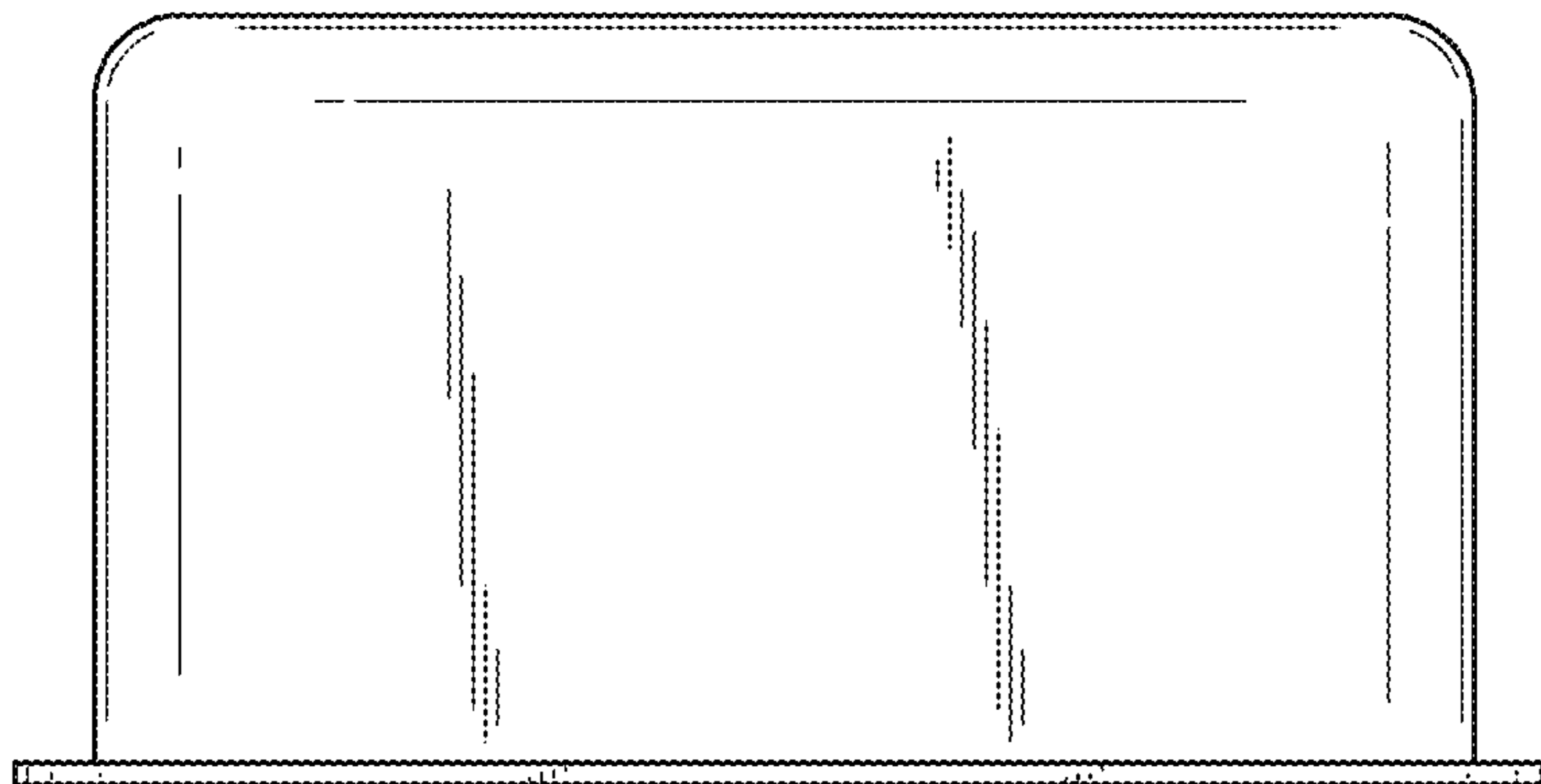
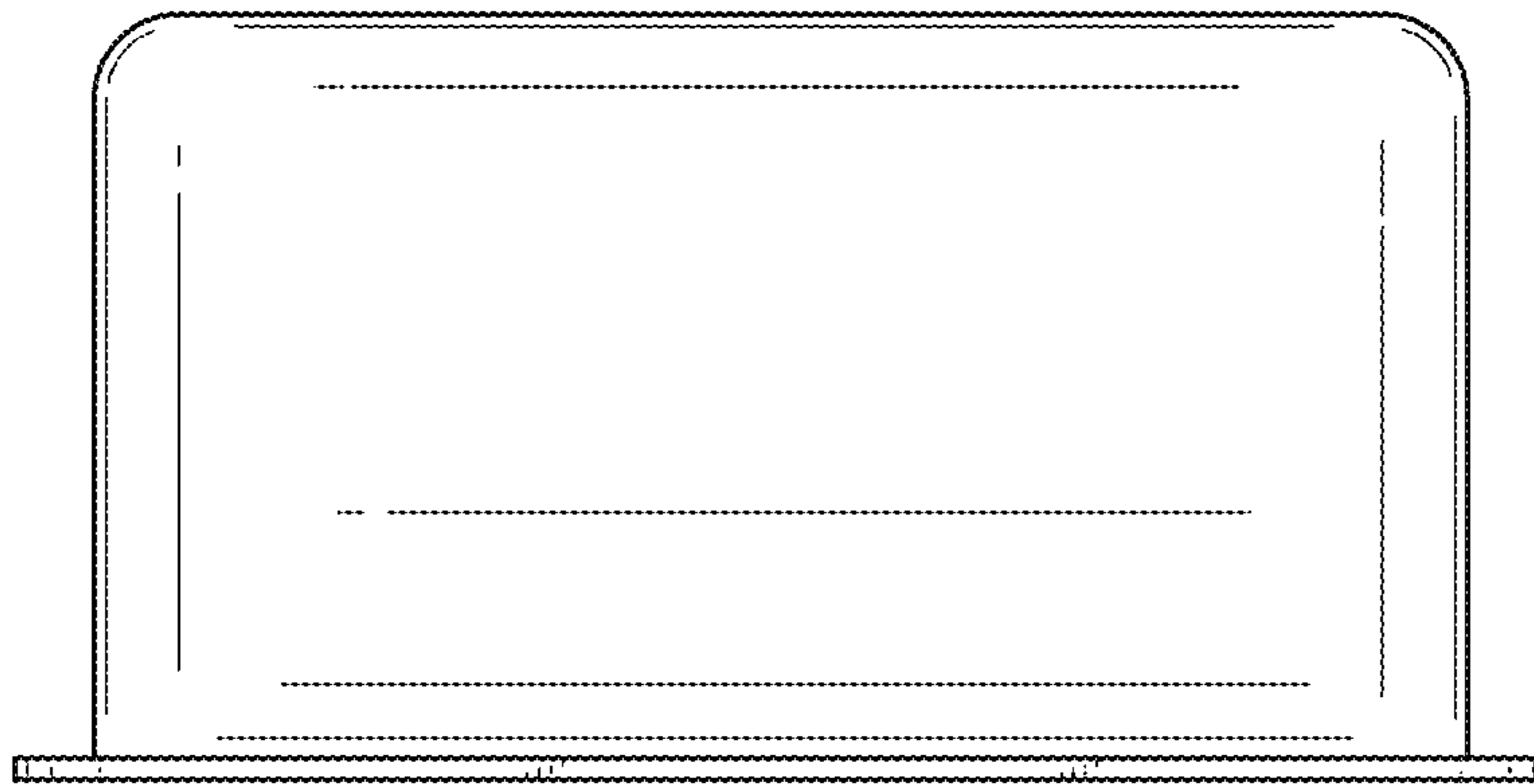
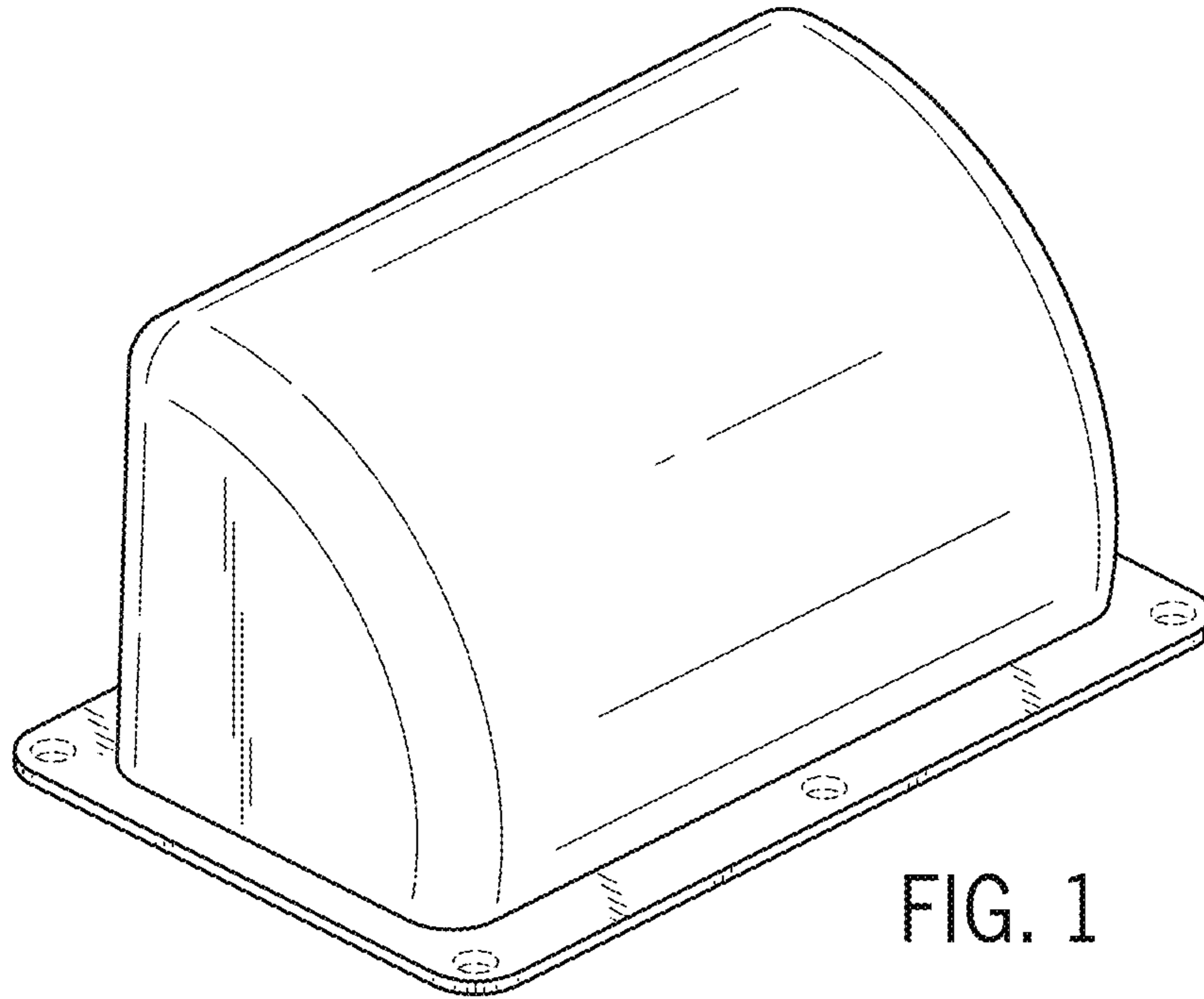
The ornamental design for a sport rebounder, as shown and described.

DESCRIPTION

FIG. 1 is a front perspective view of a sport rebounder, showing our new design;
FIG. 2 is a front elevation view thereof;
FIG. 3 is a rear elevation view thereof;
FIG. 4 is a left side elevation view thereof, the right side elevation view being a mirror image of the left side elevation view; and,
FIG. 5 is a top plan view of FIG. 1.
The broken lines shown in the drawings depict portions of the sport rebounder that form no part of the claimed design.

1 Claim, 2 Drawing Sheets





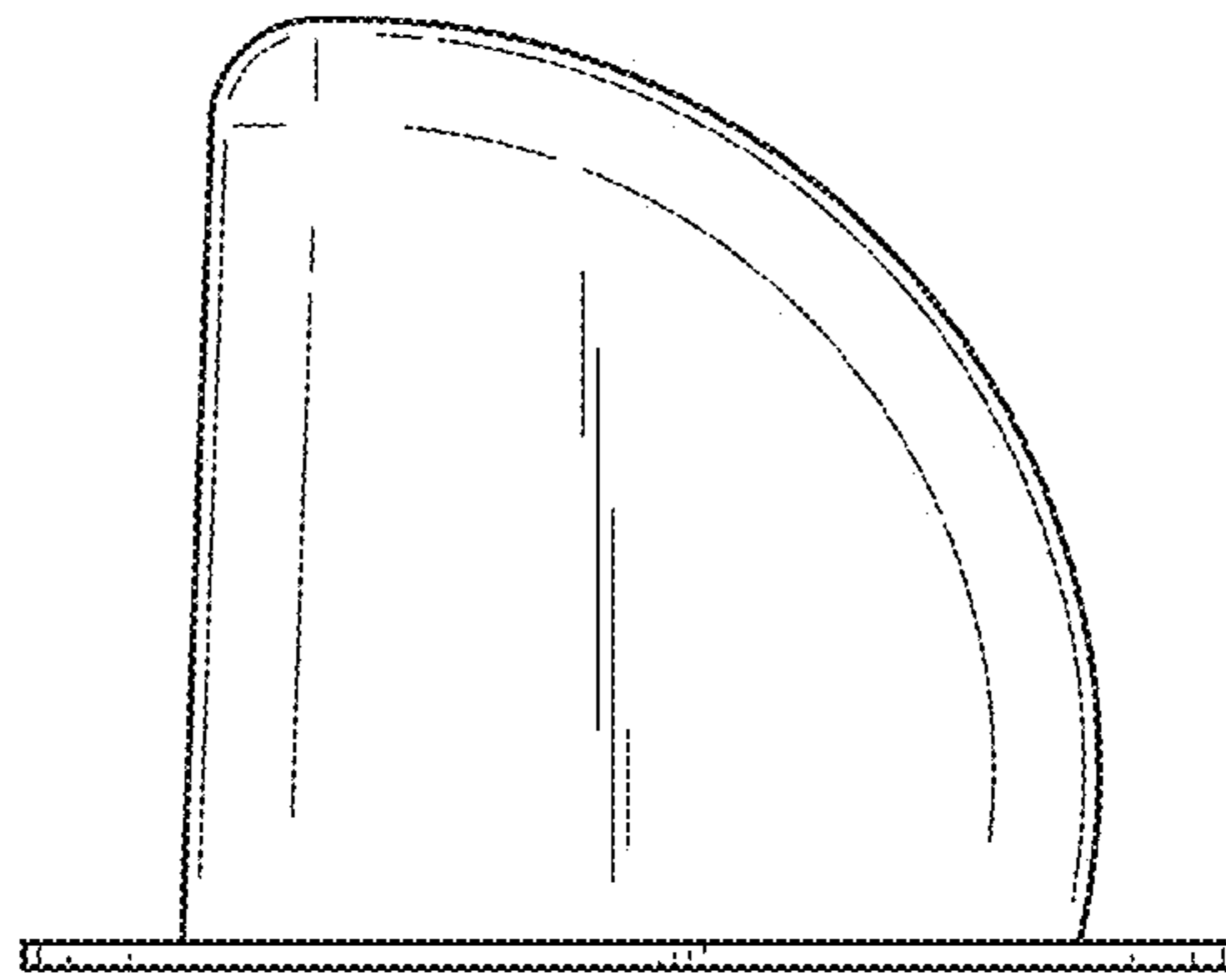


FIG. 4

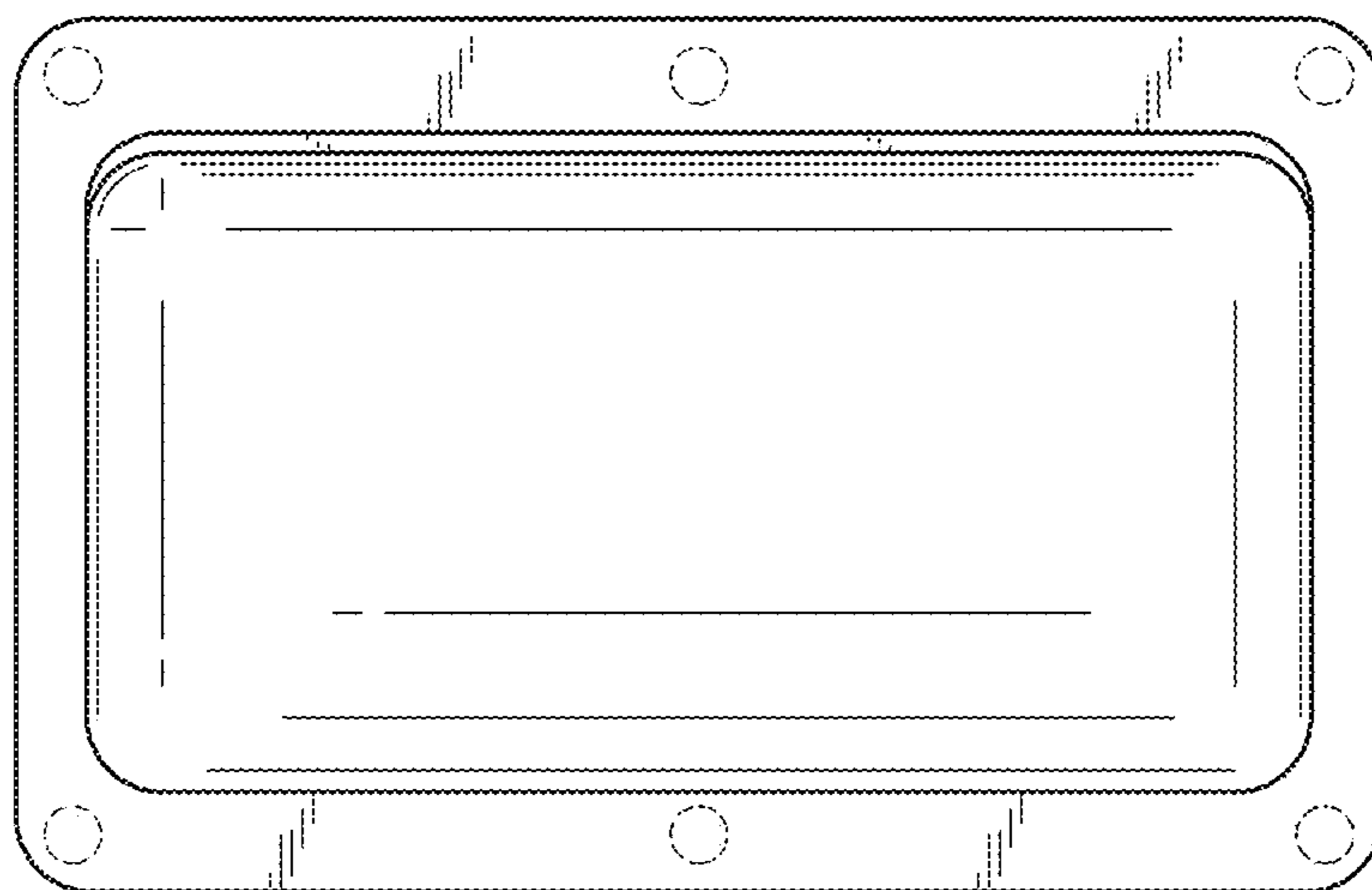


FIG. 5