

US00D874586S

(12) **United States Design Patent** (10) **Patent No.:** **US D874,586 S**
Bartolotta et al. (45) **Date of Patent:** **** Feb. 4, 2020**

(54) **FLEXIBILITY AND STRENGTH TRAINING ANCHOR**

(71) Applicants: **Nicolas Andrew Bartolotta**, Venice, CA (US); **Rocco Castellano**, Henderson, NV (US)

(72) Inventors: **Nicolas Andrew Bartolotta**, Venice, CA (US); **Rocco Castellano**, Henderson, NV (US)

(**) Term: **15 Years**

(21) Appl. No.: **29/645,026**

(22) Filed: **Apr. 23, 2018**

(51) **LOC (12) Cl.** **21-02**

(52) **U.S. Cl.**
USPC **D21/694**

(58) **Field of Classification Search**
USPC 248/505; 52/7; 182/3; D8/349, 354, D8/356, 367; D25/199; 482/91, 92, 94, 482/120, 122, 143; D21/686, 688, 694
CPC E04C 5/12; F16B 13/065; F16B 45/00; E04B 1/34347; E04F 11/1812; E04G 21/185
See application file for complete search history.

(56) **References Cited**

U.S. PATENT DOCUMENTS

- D244,772 S * 6/1977 Zongker D12/215
- 4,294,446 A * 10/1981 Moore A63B 21/00069
- 482/120
- D281,006 S * 10/1985 Durushia D21/687
- D300,507 S * 4/1989 Rabb D8/367
- D308,627 S * 6/1990 Guffey D8/356
- D315,495 S * 3/1991 Klemic, Jr. D8/384
- D322,557 S * 12/1991 Cummings D8/394
- D329,196 S * 9/1992 Schor D8/356

(Continued)

OTHER PUBLICATIONS

Amazon, "AOAMEET_Trainer Wall Ceiling Mount Anchor", Jul. 7, 2019. https://www.amazon.com/AOAMEET-Trainer-Suspension-Gymnastic-Resistance/dp/B07D5H38DQ/ref=sr_1_87?keywords=strength+training+anchor&qid=1568248357&sr=8-87. Shown on p. 1. (Year: 2019).*

Primary Examiner — Cynthia Ramirez
Assistant Examiner — Michael A Maharajh

(74) *Attorney, Agent, or Firm* — Loza & Loza, LLP; Heidi L. Eisenhut

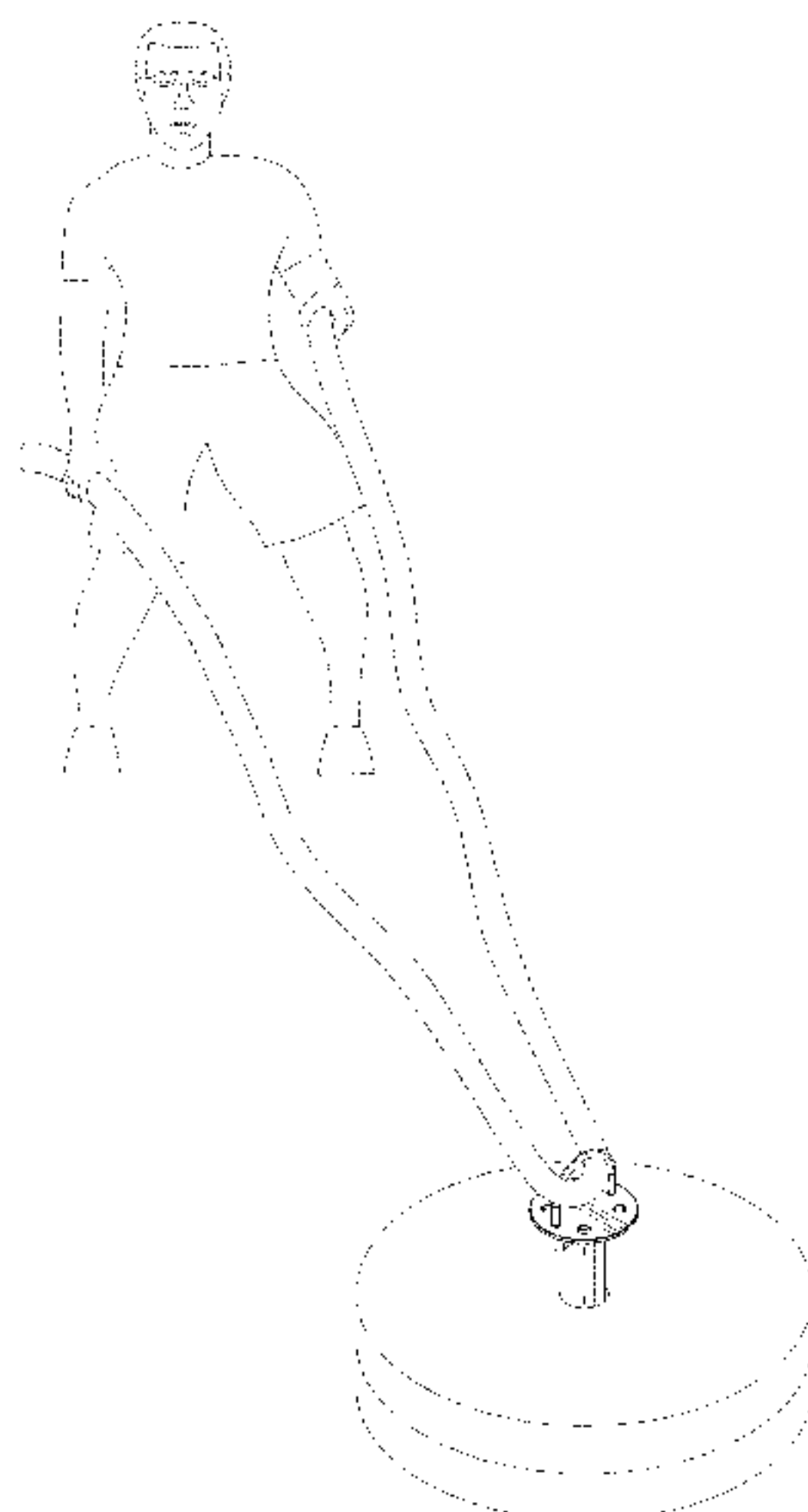
(57) **CLAIM**

The ornamental design for a flexibility and strength training anchor, as shown and described.

DESCRIPTION

FIG. 1 is an environmental view of a flexibility and strength training anchor of the present invention;
 FIG. 2 a top right perspective view of the flexibility and strength training anchor of the present invention;
 FIG. 3 a bottom right perspective view of the flexibility and strength training anchor of FIG. 2;
 FIG. 4 a front elevation view of the flexibility and strength training anchor of FIG. 2;
 FIG. 5 is a back elevation view of the flexibility and strength training anchor of FIG. 2;
 FIG. 6 is a first side elevation view of the flexibility and strength training anchor of FIG. 2;
 FIG. 7 is a second side view of the flexibility and strength training anchor of FIG. 2;
 FIG. 8 is a top view of the flexibility and strength training anchor of FIG. 2; and,
 FIG. 9 is a bottom view of the flexibility and strength training anchor of FIG. 2.
 The broken lines shown in FIG. 1 of the human, rope and weights are for the purpose of illustrating environmental structure, which form no part of the claimed design. The remaining broken lines shown in the drawings are for the purposes illustrating portions of the flexibility and strength training anchor, which form no part of the claimed design.

1 Claim, 6 Drawing Sheets



(56)

References Cited

U.S. PATENT DOCUMENTS

D333,291 S * 2/1993 Burson D12/215
 5,349,834 A * 9/1994 Davidge E05B 15/1607
 156/306.6
 D360,353 S * 7/1995 Schriever D8/356
 D365,177 S * 12/1995 Farrell D30/154
 5,656,004 A * 8/1997 Useldinger A63B 21/018
 482/120
 D391,837 S * 3/1998 Adams D8/354
 D397,078 S * 8/1998 Bartkus D12/215
 D407,298 S * 3/1999 Hemphill D8/367
 D408,267 S * 4/1999 Egigian D8/354
 5,971,668 A * 10/1999 Miller A62B 35/0068
 182/3
 D415,951 S * 11/1999 Kraine D8/354
 D419,699 S * 1/2000 Stodola D25/199
 D429,996 S * 8/2000 Fiorentino D8/356
 6,227,329 B1 * 5/2001 Ador A62B 35/0056
 182/3
 D445,393 S * 7/2001 Dallavalle D12/215
 D446,442 S * 8/2001 Simpson D8/354
 D492,586 S * 7/2004 Rimer, Jr. D8/393
 D549,556 S * 8/2007 Christie D8/354
 D552,530 S * 10/2007 Kirkpatrick B60R 25/00
 D12/223

D565,206 S * 3/2008 Nelson D25/199
 D605,500 S * 12/2009 Lee D8/387
 D614,021 S * 4/2010 Lecours D8/385
 D652,698 S * 1/2012 Rothell D8/356
 D653,715 S * 2/2012 Tumminia A63B 21/072
 D21/694
 D655,599 S * 3/2012 Durham D8/367
 D657,232 S * 4/2012 Stahl, Sr. D8/354
 D658,975 S * 5/2012 Cordova D8/354
 D681,574 S * 5/2013 Buxton D13/199
 D733,545 S * 7/2015 Charette D8/387
 9,140,001 B1 * 9/2015 Hohmann, Jr. E04B 1/4178
 D772,040 S * 11/2016 Grant D8/354
 D806,202 S * 12/2017 Brooks D22/113
 D835,494 S * 12/2018 Loechel D8/356
 D842,946 S * 3/2019 Hetrick D21/694
 2008/0295651 A1 * 12/2008 Nilsen B25B 13/065
 81/180.1
 2010/0181458 A1 * 7/2010 Liu F16B 47/00
 248/363
 2013/0058736 A1 * 3/2013 Auchey F16B 25/103
 411/387.4
 2014/0217255 A1 * 8/2014 Rinklake F16B 45/00
 248/304
 2014/0224579 A1 * 8/2014 Balascak E04G 21/328
 182/3
 2018/0029846 A1 * 2/2018 Verbrugge F16B 39/101

* cited by examiner

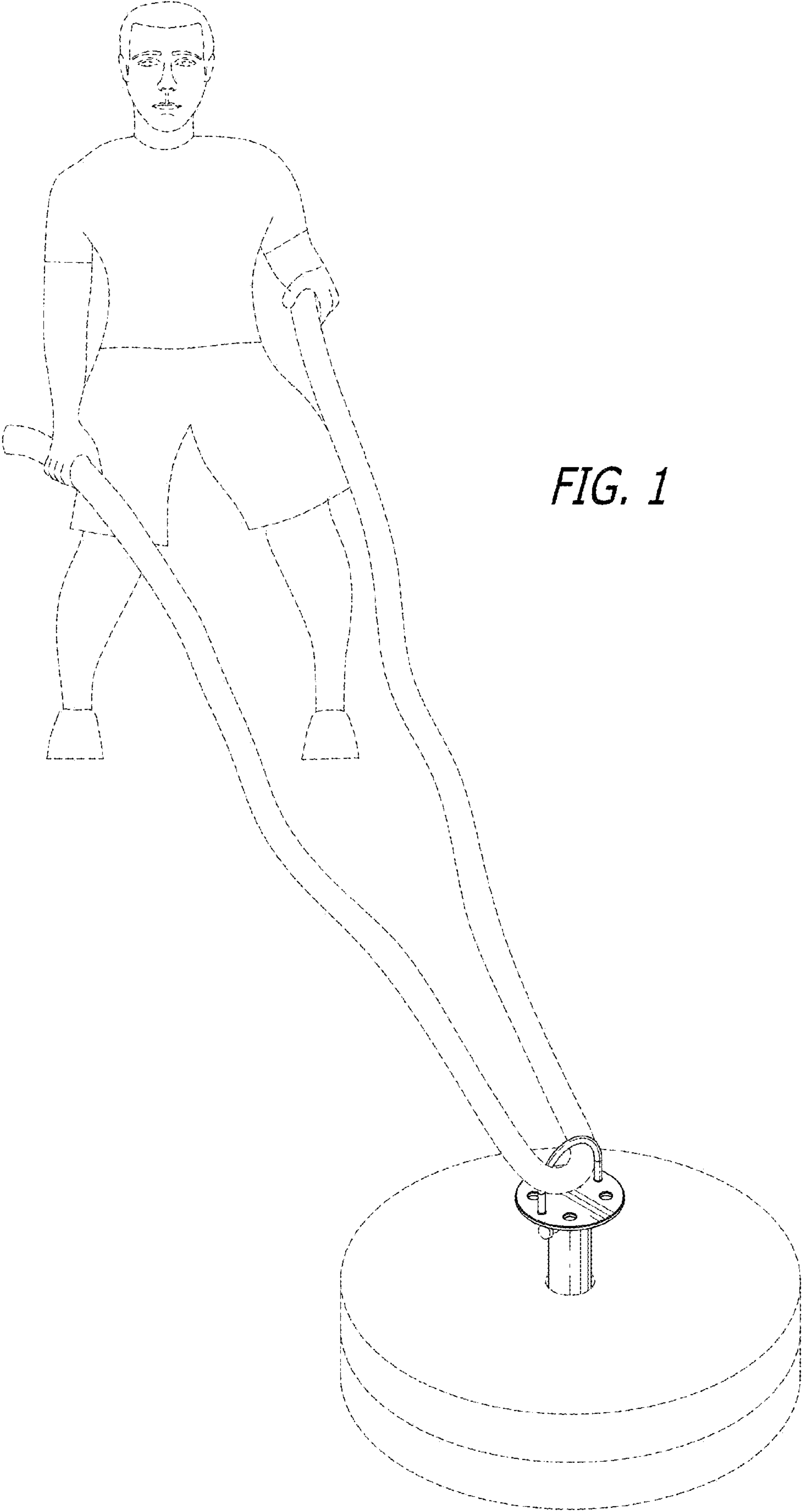


FIG. 1

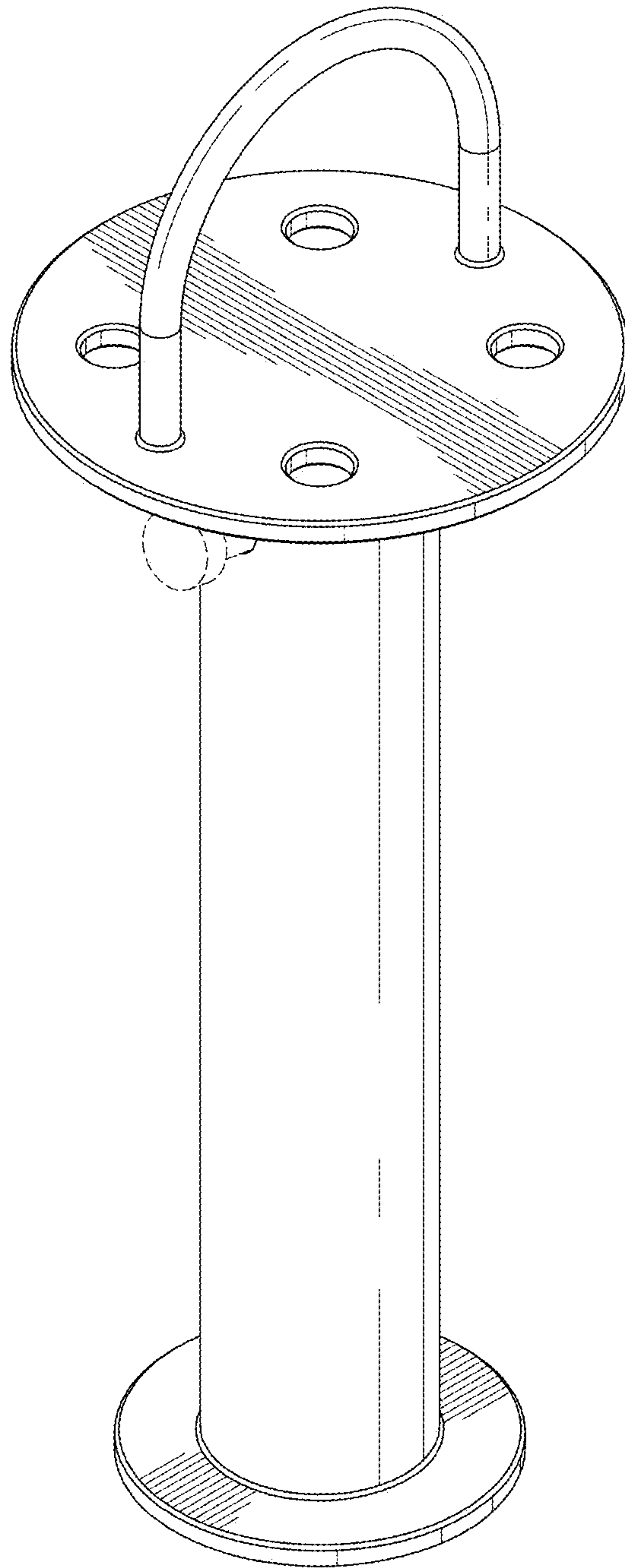


FIG. 2

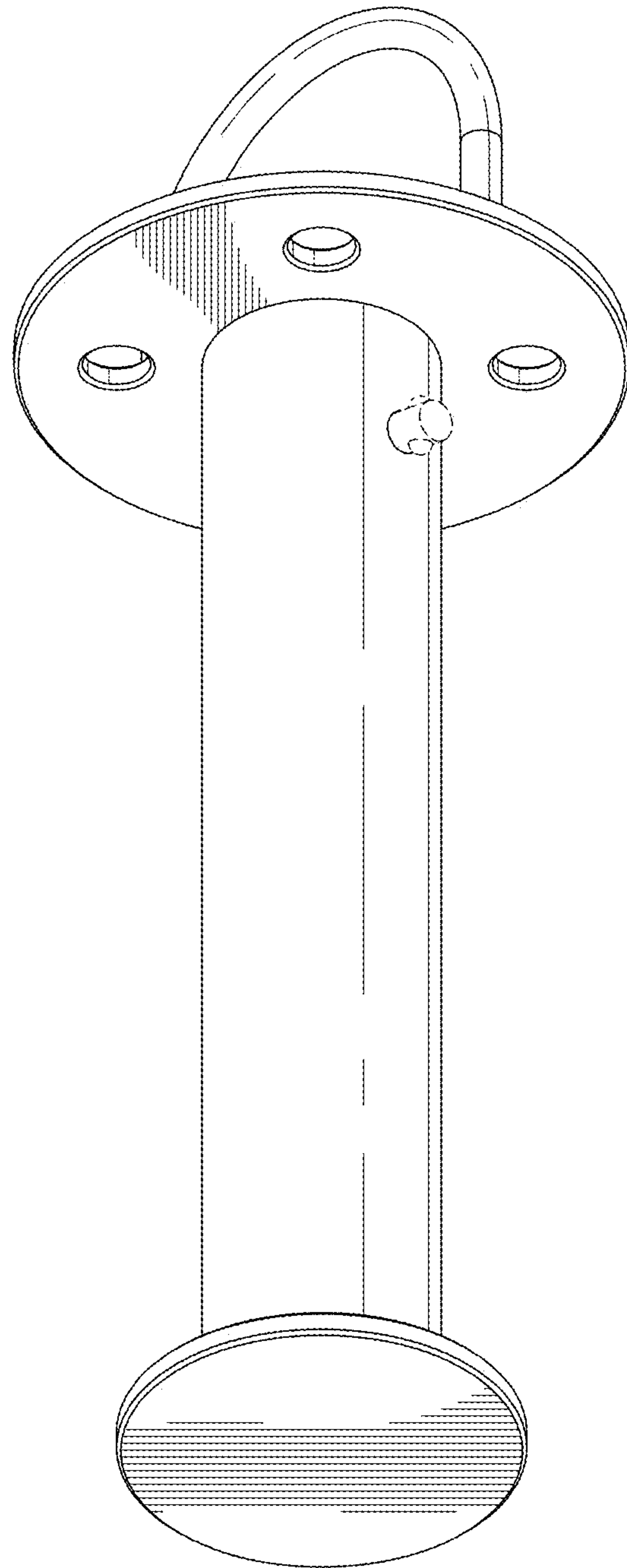


FIG. 3

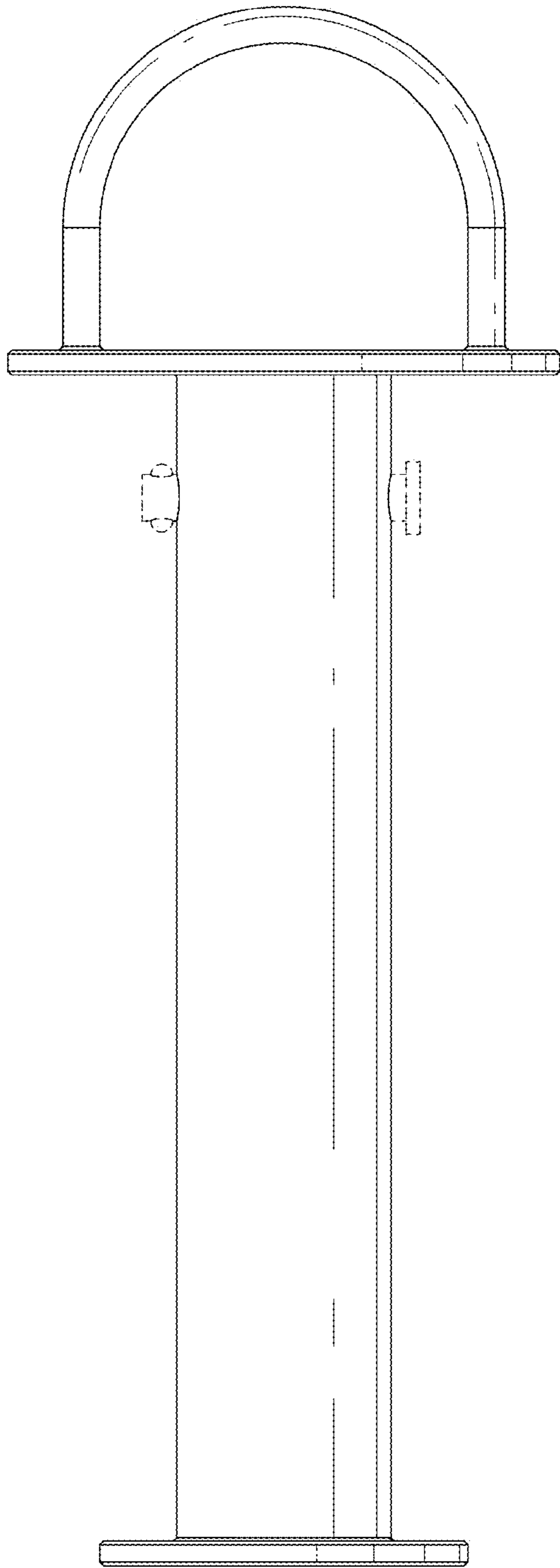


FIG. 4

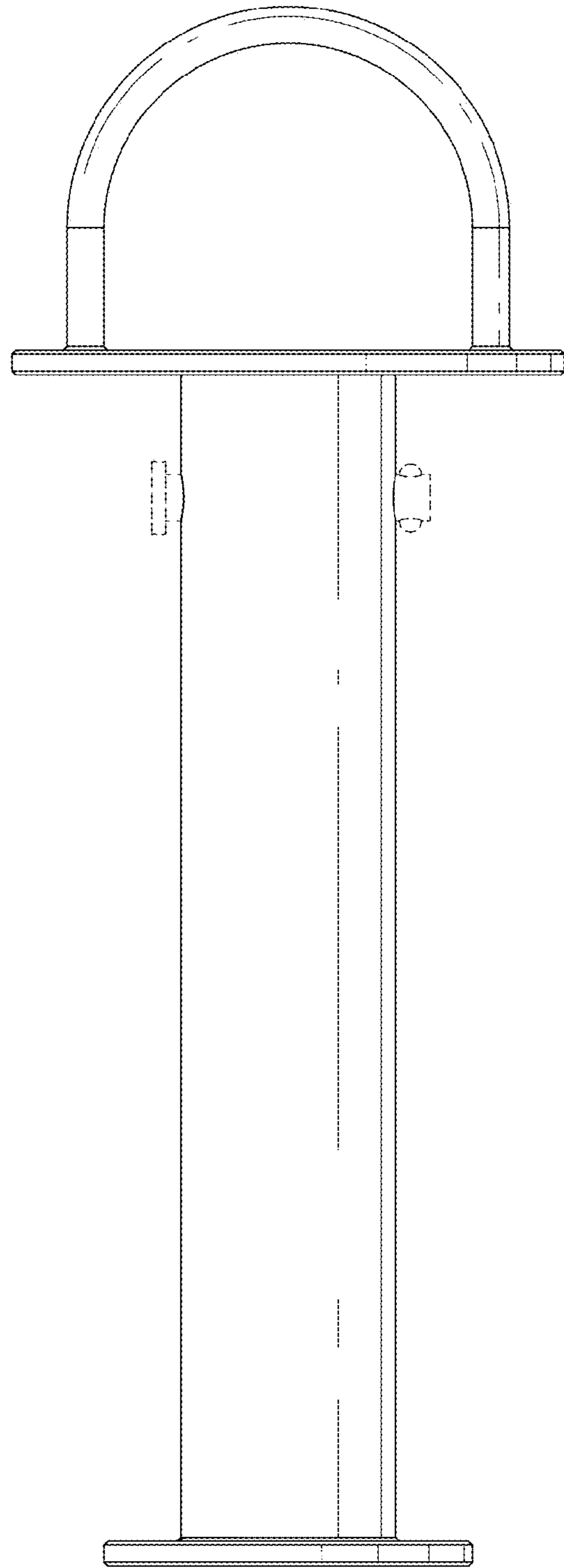


FIG. 5

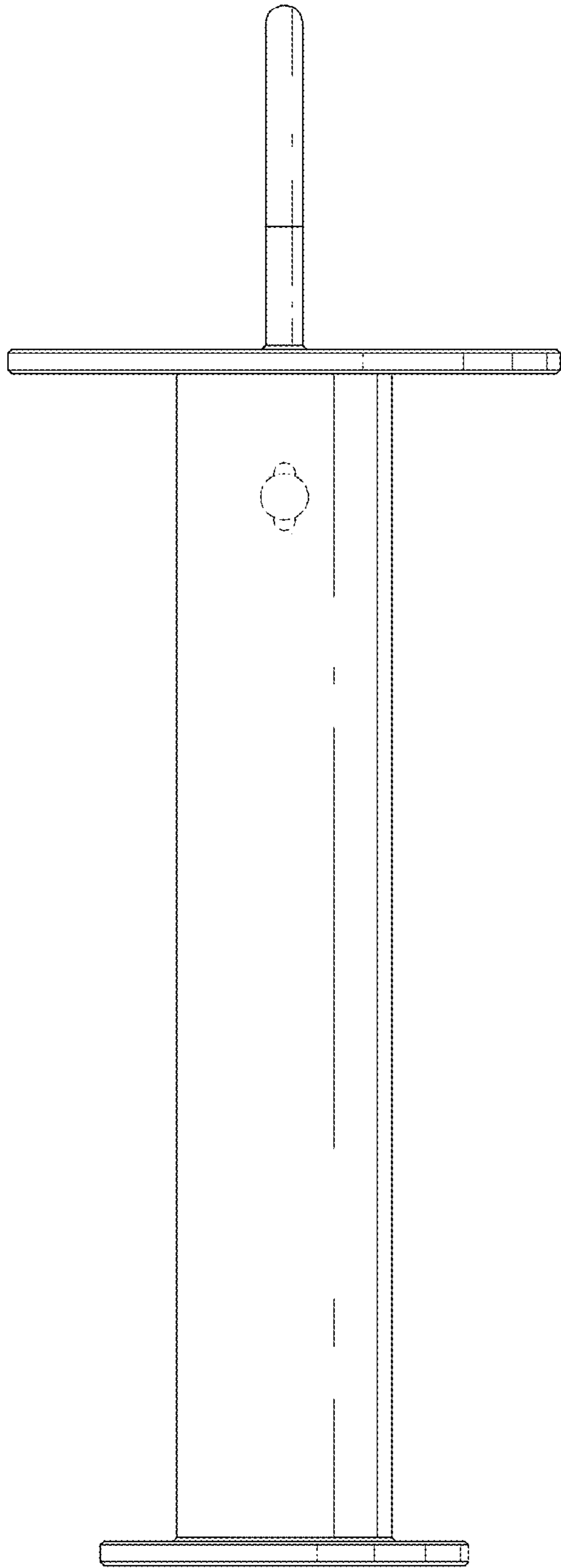


FIG. 6

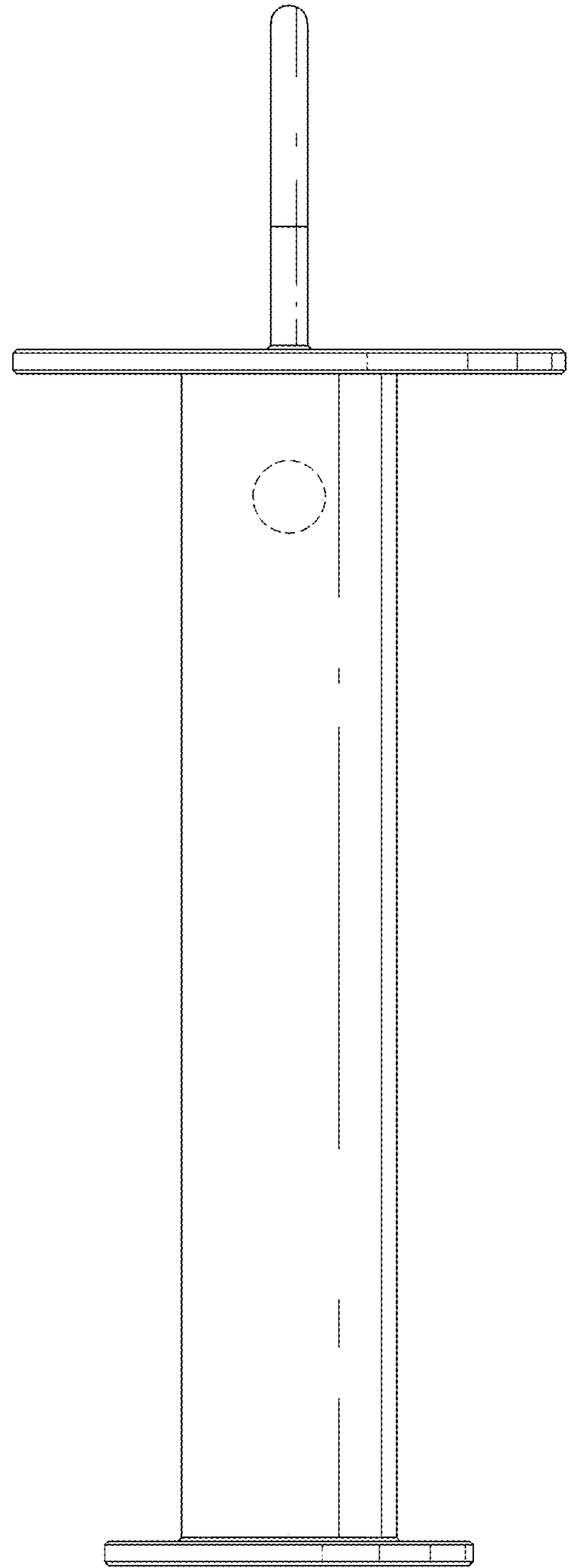


FIG. 7

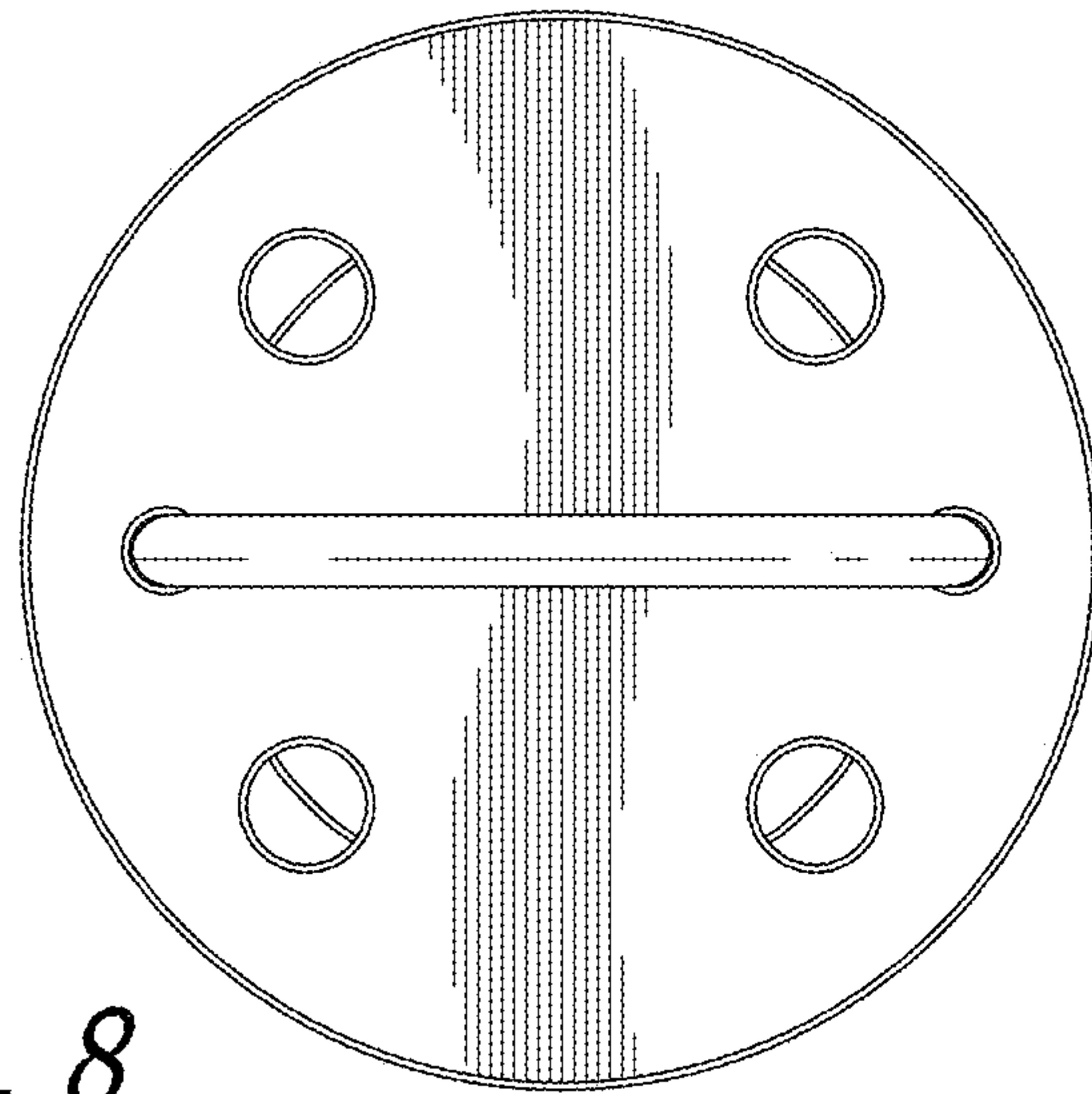


FIG. 8

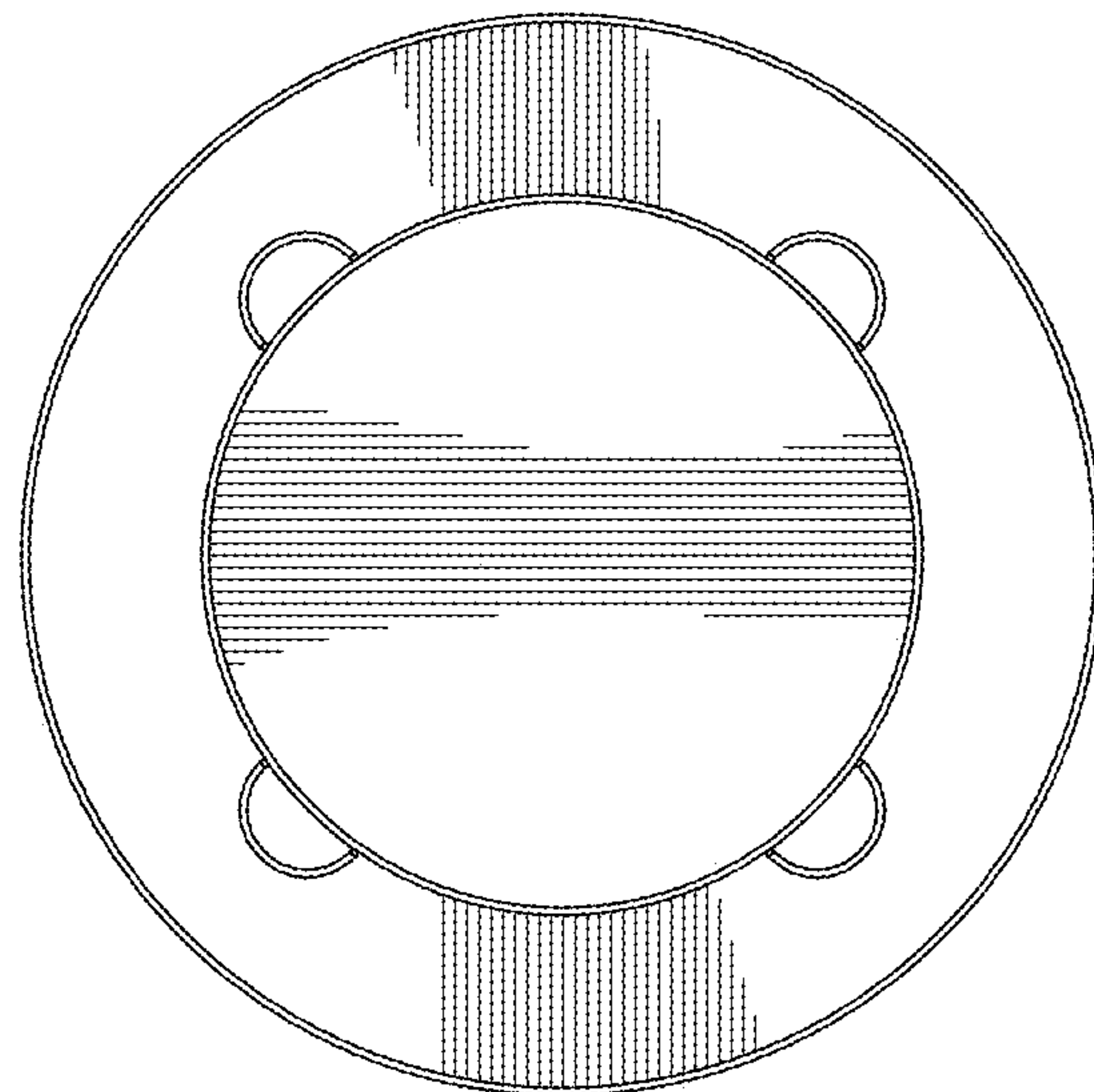


FIG. 9