



US00D874581S

(12) **United States Design Patent**
Gong

(10) **Patent No.:** **US D874,581 S**

(45) **Date of Patent:** **** Feb. 4, 2020**

(54) **TOY GUN COMPONENT**
(71) Applicant: **Qiao-Bin Gong**, Guangdong Province (CN)
(72) Inventor: **Qiao-Bin Gong**, Guangdong Province (CN)
(73) Assignee: **SHENZHEN CHUANGLIANSIZHONG TECHNOLOGY CO., LTD.**, Shenzhen (CN)
(**) Term: **15 Years**

6,684,873 B1 * 2/2004 Anderson F41B 11/57
124/82
6,792,933 B2 * 9/2004 Christopher F41B 11/57
124/48
6,889,680 B2 * 5/2005 Christopher F41B 11/53
124/51.1
7,806,036 B2 * 10/2010 Cook F41A 9/02
42/17
8,839,706 B1 * 9/2014 Macy F41B 11/54
124/45
9,557,127 B2 * 1/2017 Macy F41B 11/54
2011/0253119 A1 * 10/2011 Cho F41B 11/54
124/41.1
2014/0373823 A1 * 12/2014 Stevens F41B 11/51
124/56

(21) Appl. No.: **29/656,772**
(22) Filed: **Jul. 16, 2018**
(51) **LOC (12) Cl.** **21-01**
(52) **U.S. Cl.**
USPC **D21/573**
(58) **Field of Classification Search**
USPC D21/570, 573-575; D22/108
CPC F41B 11/00; F41B 11/50; F41B 11/51;
F41B 11/52; F41B 11/53; F41B 11/57;
F41A 9/01; F41A 9/02; F41A 9/73; F41A
9/78
See application file for complete search history.

* cited by examiner

Primary Examiner — Cynthia M. Chin

(57) **CLAIM**

The ornamental design for a toy gun component, as shown and described.

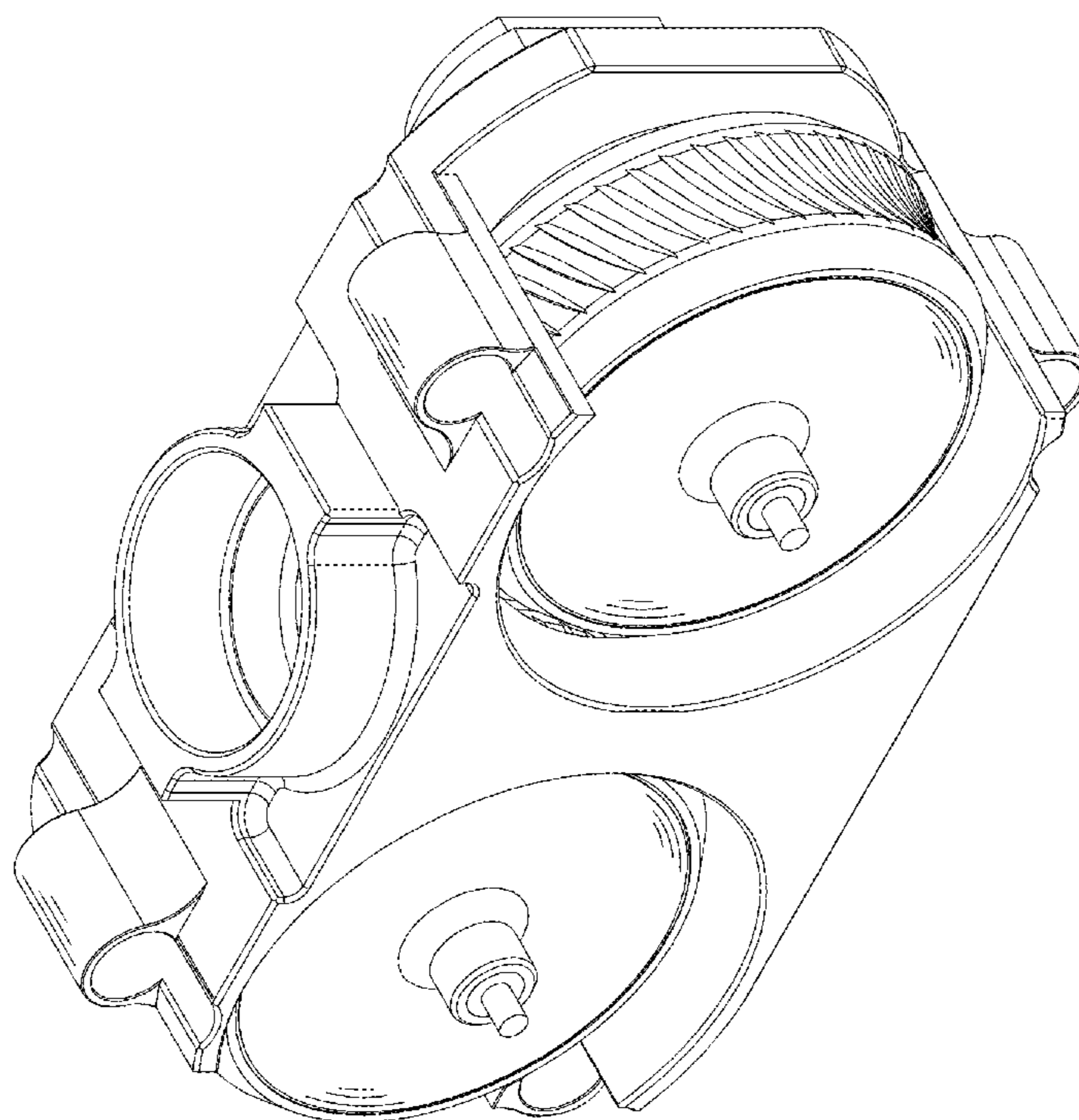
DESCRIPTION

FIG. 1 is a perspective view of a toy gun component showing my new design;
FIG. 2 is a front elevational view thereof;
FIG. 3 is a top plan view thereof;
FIG. 4 is a left side elevational view thereof;
FIG. 5 is a rear elevational view thereof;
FIG. 6 is a right side view thereof; and,
FIG. 7 is a bottom plan view thereof.

The broken lines depict portions of the toy gun component that form no part of the claimed design.

(56) **References Cited**
U.S. PATENT DOCUMENTS
6,109,252 A * 8/2000 Stevens F41B 11/53
124/48
6,347,621 B1 * 2/2002 Guthrie F41B 11/53
124/48

1 Claim, 7 Drawing Sheets



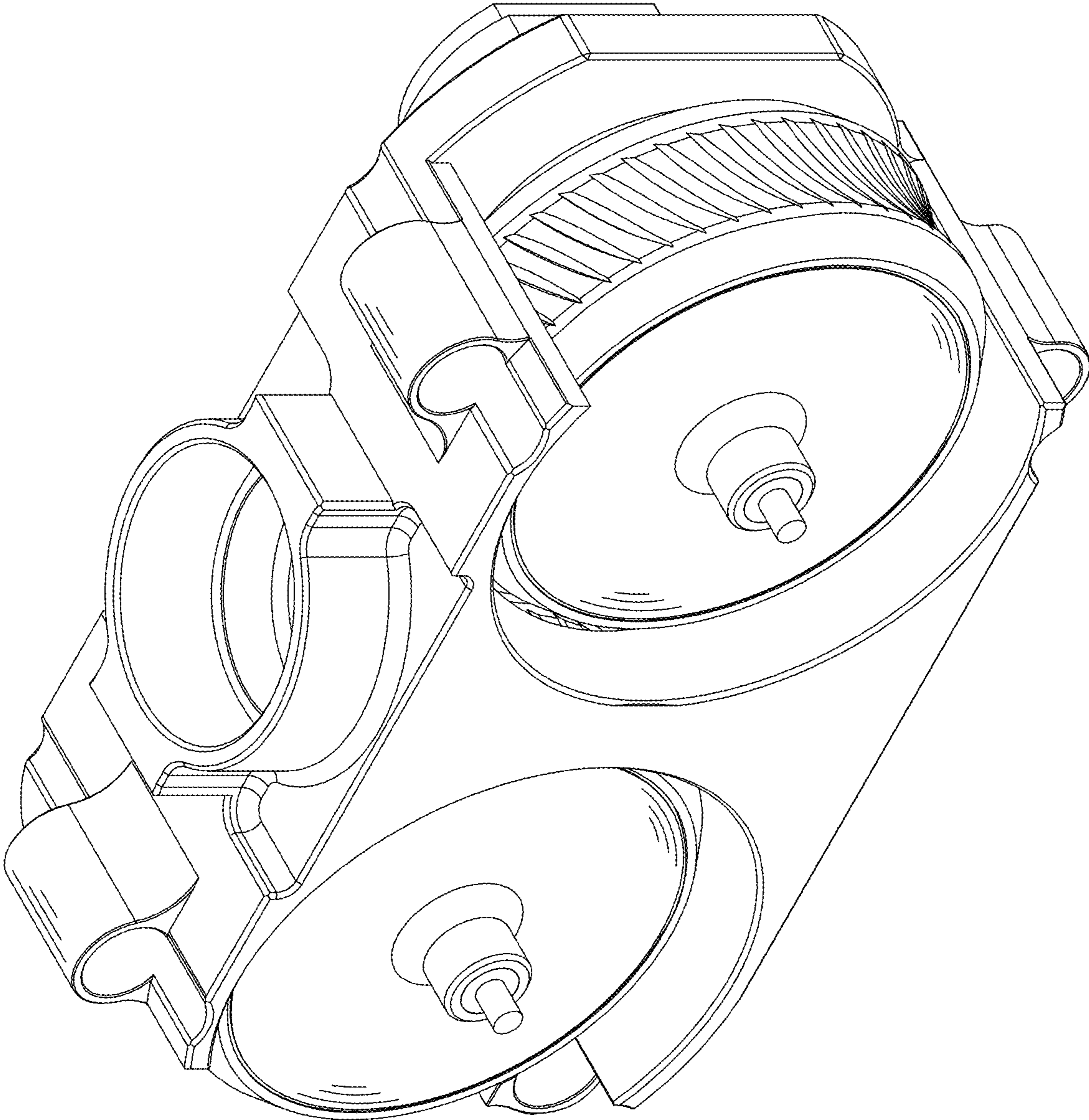


FIG. 1

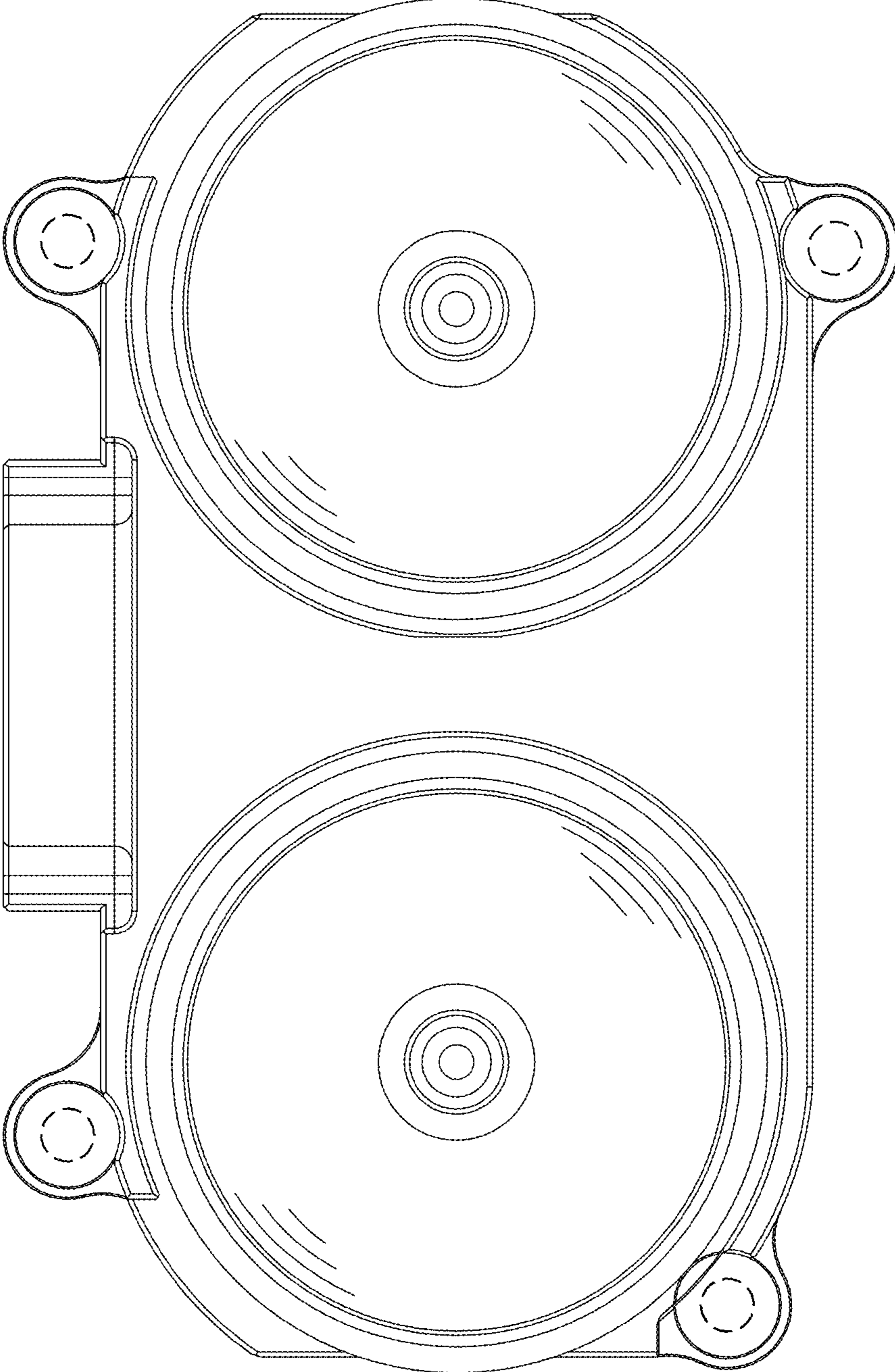


FIG. 2

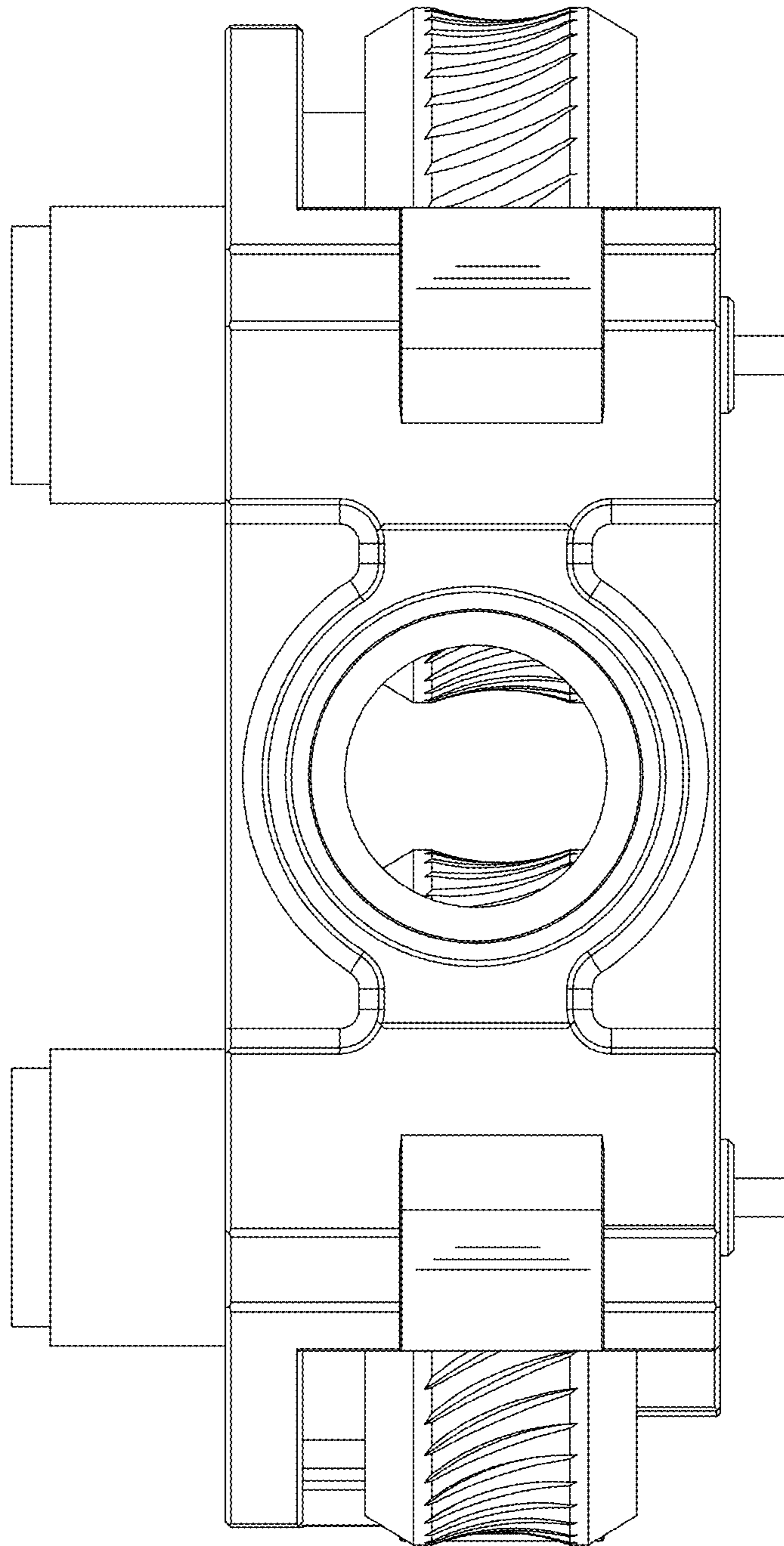


FIG. 3

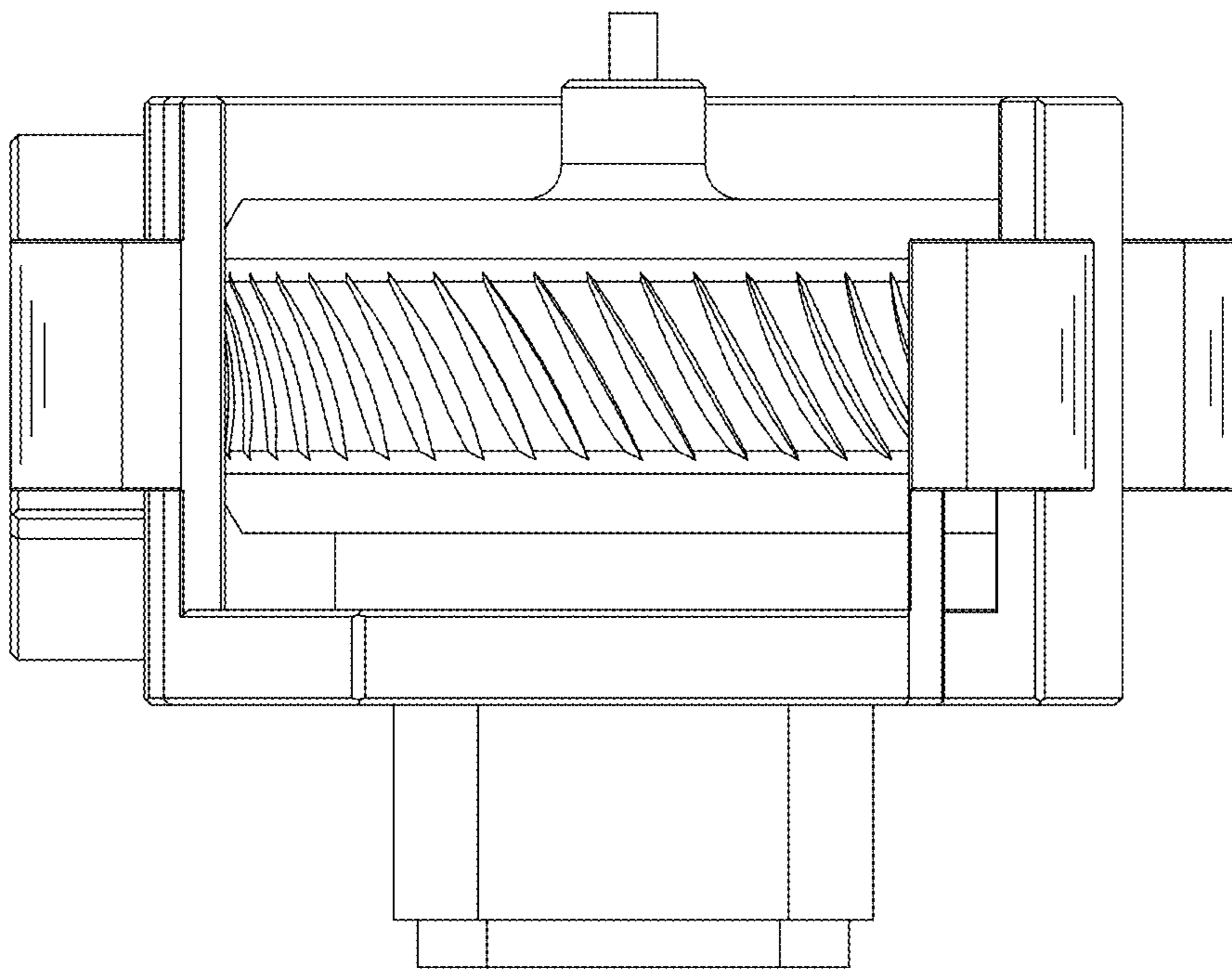


FIG. 4

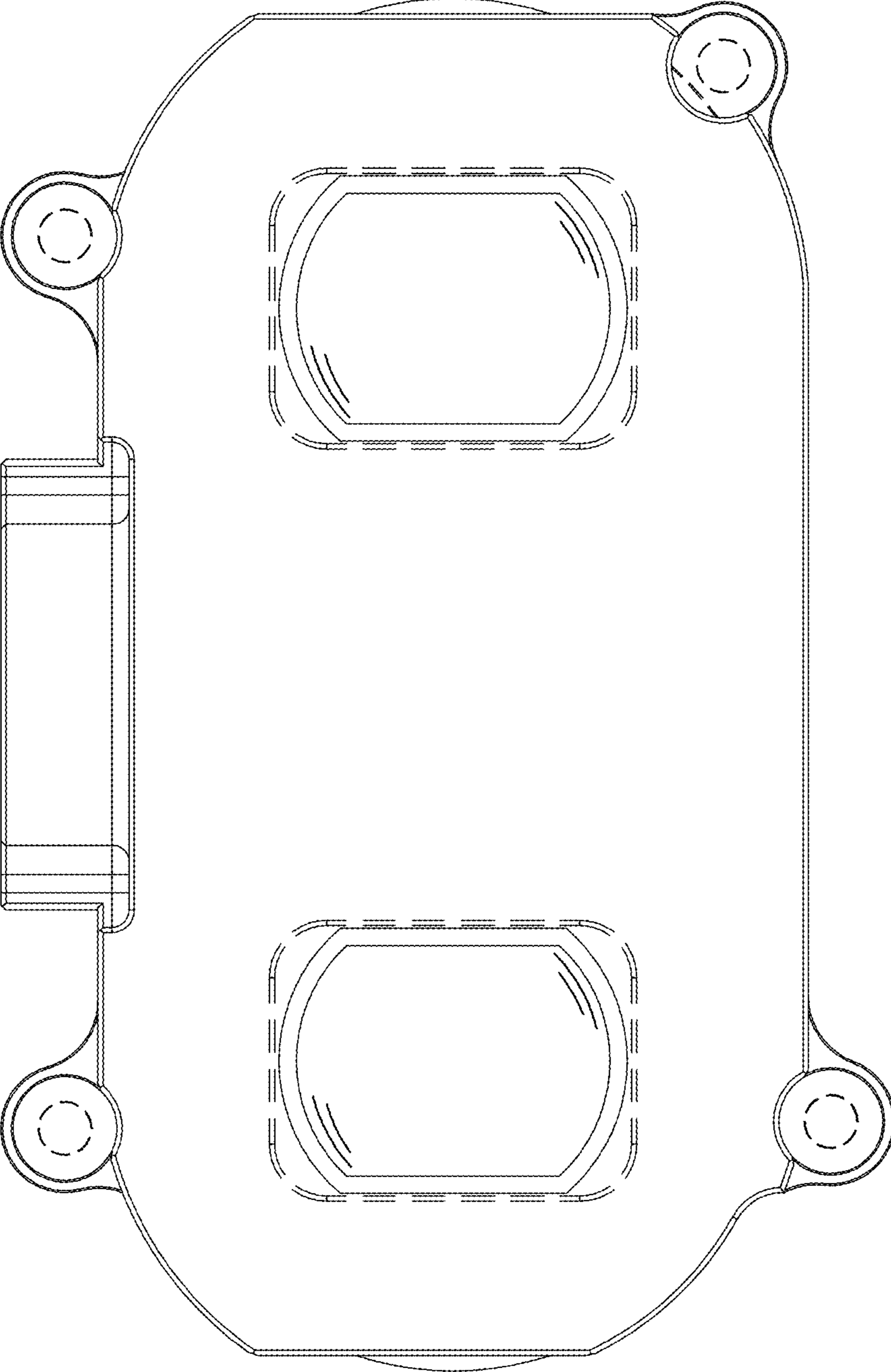


FIG. 5

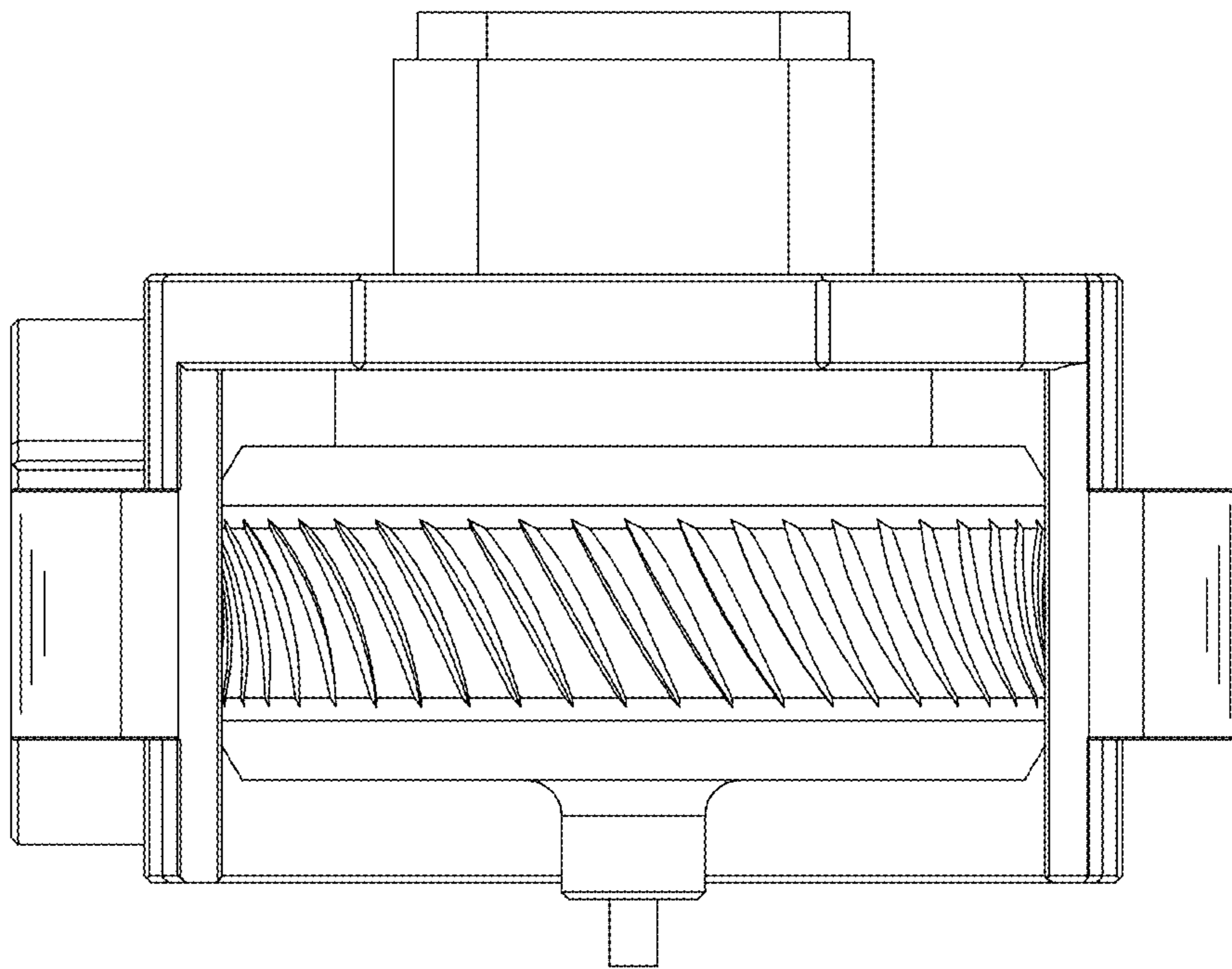


FIG. 6

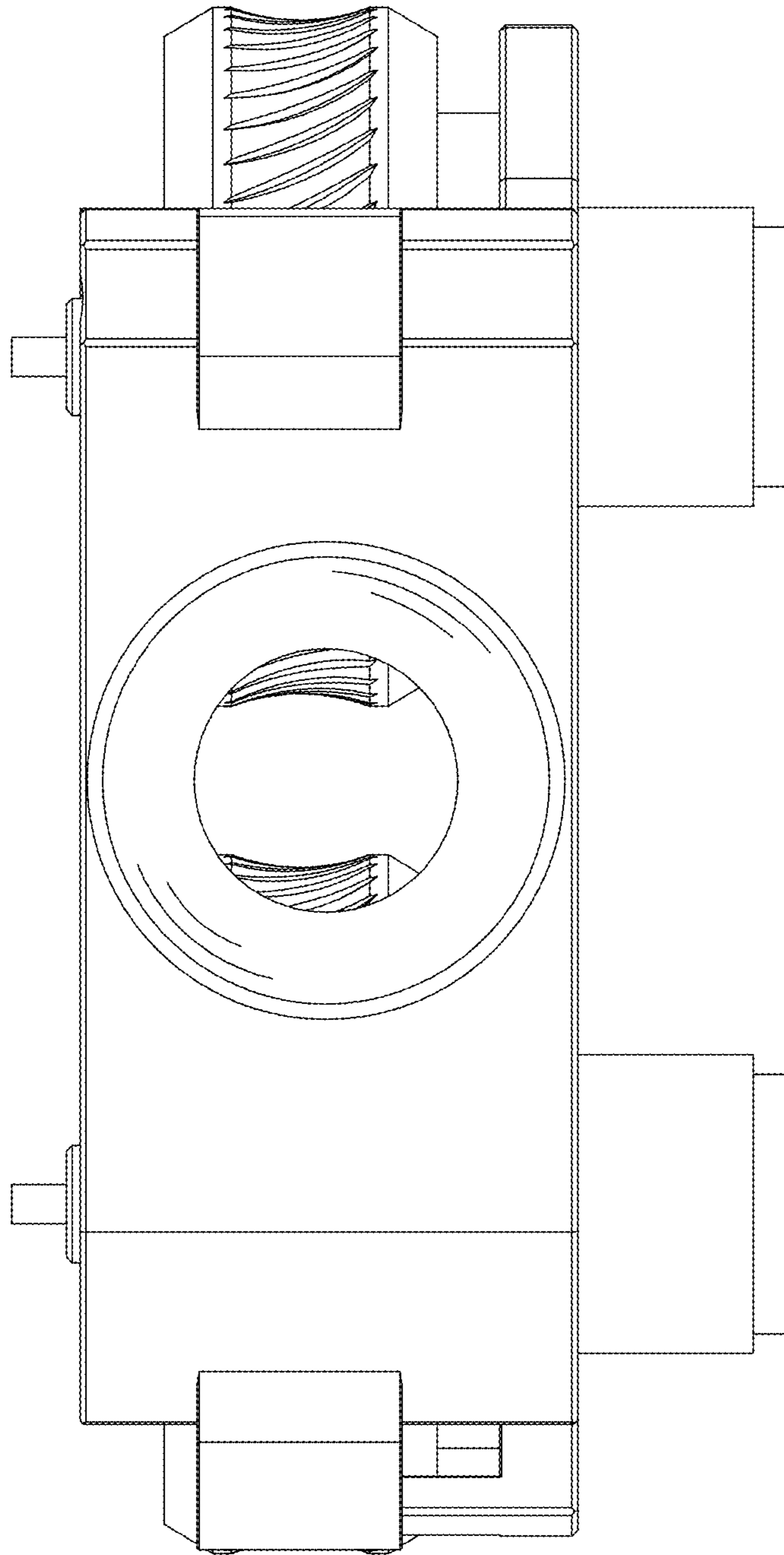


FIG. 7