



US00D874580S

(12) **United States Design Patent**
McCloskey et al.

(10) **Patent No.:** **US D874,580 S**

(45) **Date of Patent:** **** Feb. 4, 2020**

(54) **CUTTER FOR A MALLEABLE COMPOUND**

(71) Applicant: **Relevant Play, LLC**, Denver, CO (US)

(72) Inventors: **David McCloskey**, Erie, CO (US);
Johnny Eisert, Loveland, CO (US)

(73) Assignee: **Relevant Play, LLC**, Denver, CO (US)

(**) Term: **15 Years**

(21) Appl. No.: **29/637,460**

(22) Filed: **Feb. 19, 2018**

(51) **LOC (12) Cl.** **21-01**

(52) **U.S. Cl.**
USPC **D21/532**

(58) **Field of Classification Search**
USPC D15/135-136; D21/532, 528, 525, 493,
D21/470-472, 468; D7/412, 414
CPC B44C 1/00; B44C 1/04; A47J 43/14; B44F
11/00; B28B 3/24; B28B 1/00; A63H
33/22; A63H 33/001
See application file for complete search history.

(56) **References Cited**

U.S. PATENT DOCUMENTS

D128,124 S * 7/1941 Melville D30/121
D183,650 S * 10/1958 Gaston D21/523
3,669,588 A * 6/1972 Cavalli et al. B28B 3/24
425/113

(Continued)

FOREIGN PATENT DOCUMENTS

FR 991954-001 * 7/1999
GB 2073778 * 7/1998

(Continued)

OTHER PUBLICATIONS

Amazon.com: Kare & Kind Smart Dough Tools, review 2016,
<https://www.amazon.com/Kare-Kind-Smart-Dough-Tools/dp/>

B017X3OKCA/ref=cm_cr_arp_d_product_sims?ie=UTF8#customerReviews, site visited Nov. 10, 2018.*

(Continued)

Primary Examiner — Lilyana Bekic

Assistant Examiner — John R Yeh

(74) *Attorney, Agent, or Firm* — Lathrop Gage LLP

(57) **CLAIM**

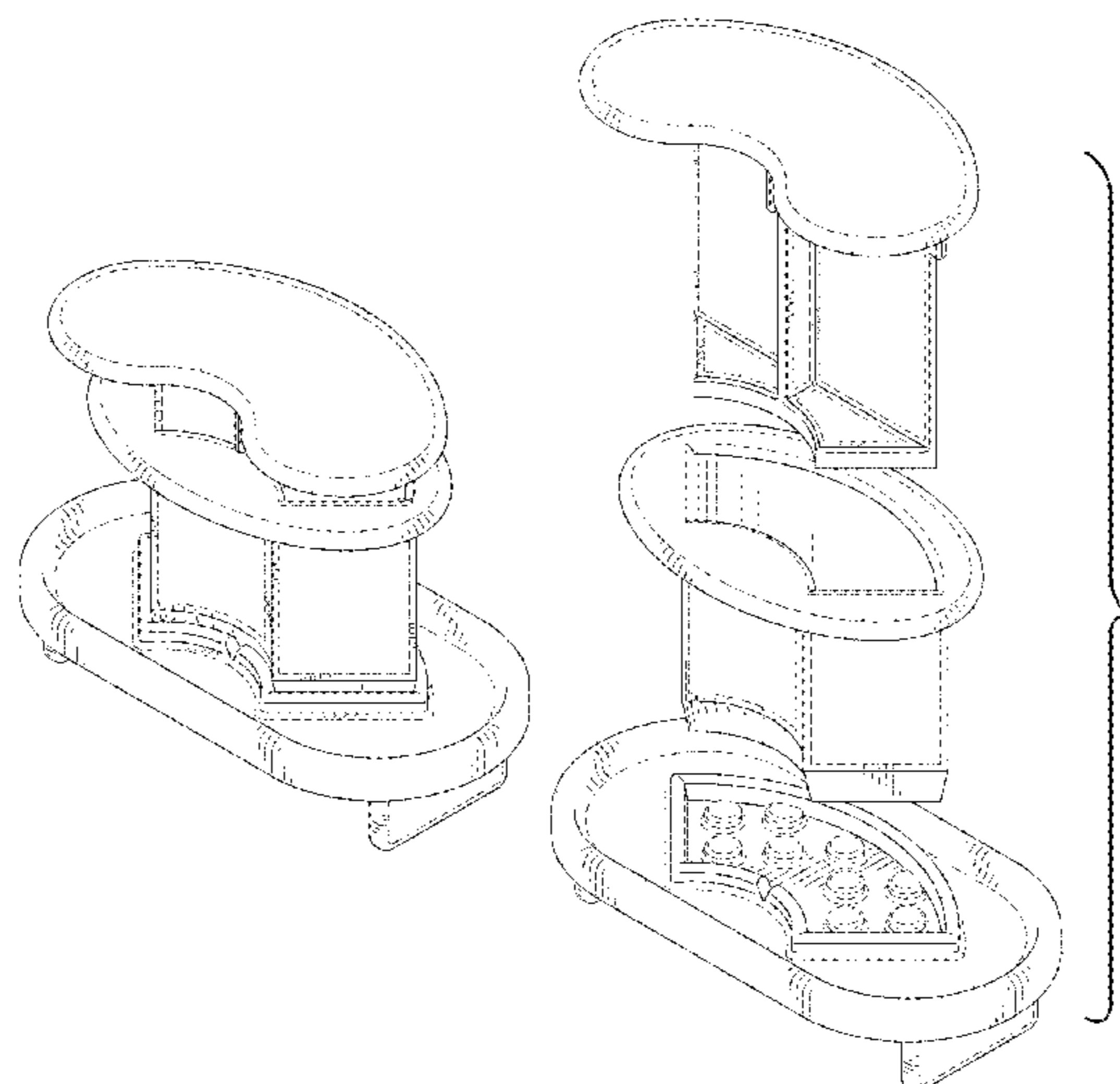
The ornamental design for a curved cutter for a malleable compound, as shown and described.

DESCRIPTION

FIG. 1 is a top-front perspective view of a first embodiment of a cutter for a malleable compound in accordance with the present design in a fully assembled state with the plunger inserted into the cutter and the cutter mounted atop the base; FIG. 2 is a bottom-front perspective view thereof; FIG. 3 is a top plan view thereof; FIG. 4 is a bottom plan view thereof; FIG. 5 is a front elevation view thereof; FIG. 6 is a rear elevation view thereof; FIG. 7 is a right side elevation view. FIG. 8 is a right-side perspective view of the cutter for a malleable compound with the plunger above the cutter and the cutter suspended over the base in a fully exploded state; FIG. 9 is a right-side perspective view of the cutter for a malleable compound with the cutter positioned atop the base and the plunger suspended over the cutter with a malleable compound disposed within the cutter; and, FIG. 10 is a right side perspective view of the curved cutter for a malleable compound with the plunger fully depressed into the cutter a formed malleable compound shaped by the cutter.

The broken lines in the drawings illustrate portions of the cutter for a malleable compound that form no part of the claimed design.

1 Claim, 5 Drawing Sheets



(56)

References Cited

U.S. PATENT DOCUMENTS

3,892,510 A * 7/1975 Meth A63H 33/001
249/55
4,095,751 A * 6/1978 Artin A47J 43/046
222/410
D268,043 S * 2/1983 Orenstein D21/528
D285,405 S * 9/1986 Grange D7/412
4,947,301 A * 8/1990 Steele F21V 19/008
362/219
D326,843 S * 6/1992 Sklar D13/129
D341,903 S * 11/1993 Sklar D13/129
5,257,575 A * 11/1993 Harrison A47J 19/027
99/511
5,355,784 A * 10/1994 Franklin A47J 19/027
241/199.12
5,421,248 A * 6/1995 Hsu A47J 19/027
241/282.1
D422,034 S * 3/2000 Yamazaki D21/470
D451,524 S * 12/2001 Morris D15/135
D476,702 S * 7/2003 Daftari D21/528
D495,377 S * 8/2004 Jarvis D21/468
D497,651 S * 10/2004 McKee D21/523
D637,870 S * 5/2011 Bock D7/378
8,882,488 B2 * 11/2014 Schultheis A63H 33/001
264/163
9,017,059 B1 * 4/2015 Schultheis A63H 33/001
425/376.1
D747,923 S * 1/2016 Cornu D7/376
D796,728 S * 9/2017 Reynolds D26/118

D812,963 S * 3/2018 Smith D7/384
D830,432 S * 10/2018 Martino D15/136
2007/0089613 A1 * 4/2007 Wu Chang A47J 43/0716
99/495
2008/0156913 A1 * 7/2008 Orent A47J 43/046
241/37.5
2011/0306266 A1 * 12/2011 Glass A63H 33/001
446/118
2014/0378026 A1 * 12/2014 Foster A63H 33/001
446/448
2015/0151211 A1 * 6/2015 Drylie A63H 33/001
446/85
2018/0117486 A1 * 5/2018 McCloskey A63H 33/001
2019/0255453 A1 * 8/2019 McCloskey A63H 33/001

FOREIGN PATENT DOCUMENTS

JP D1066503 * 4/2000
JP D1235540 * 4/2005

OTHER PUBLICATIONS

Customizable Curved LEGO Brick by stevedwin—Thingiverse, update Dec. 21, 2014, <https://www.thingiverse.com/thing:578754>, site visited Nov. 10, 2018.*
Mad Mattr Youtube video upload date Feb. 2, 2017, <https://www.youtube.com/watch?v=9xdTBGpOj3g>. site visited Nov. 10, 2018.*
Mad Mattr Youtube video upload date May 30, 2017, <https://www.youtube.com/watch?v=hsLgqZiV5l4>, site visited Nov. 10, 2018.*

* cited by examiner

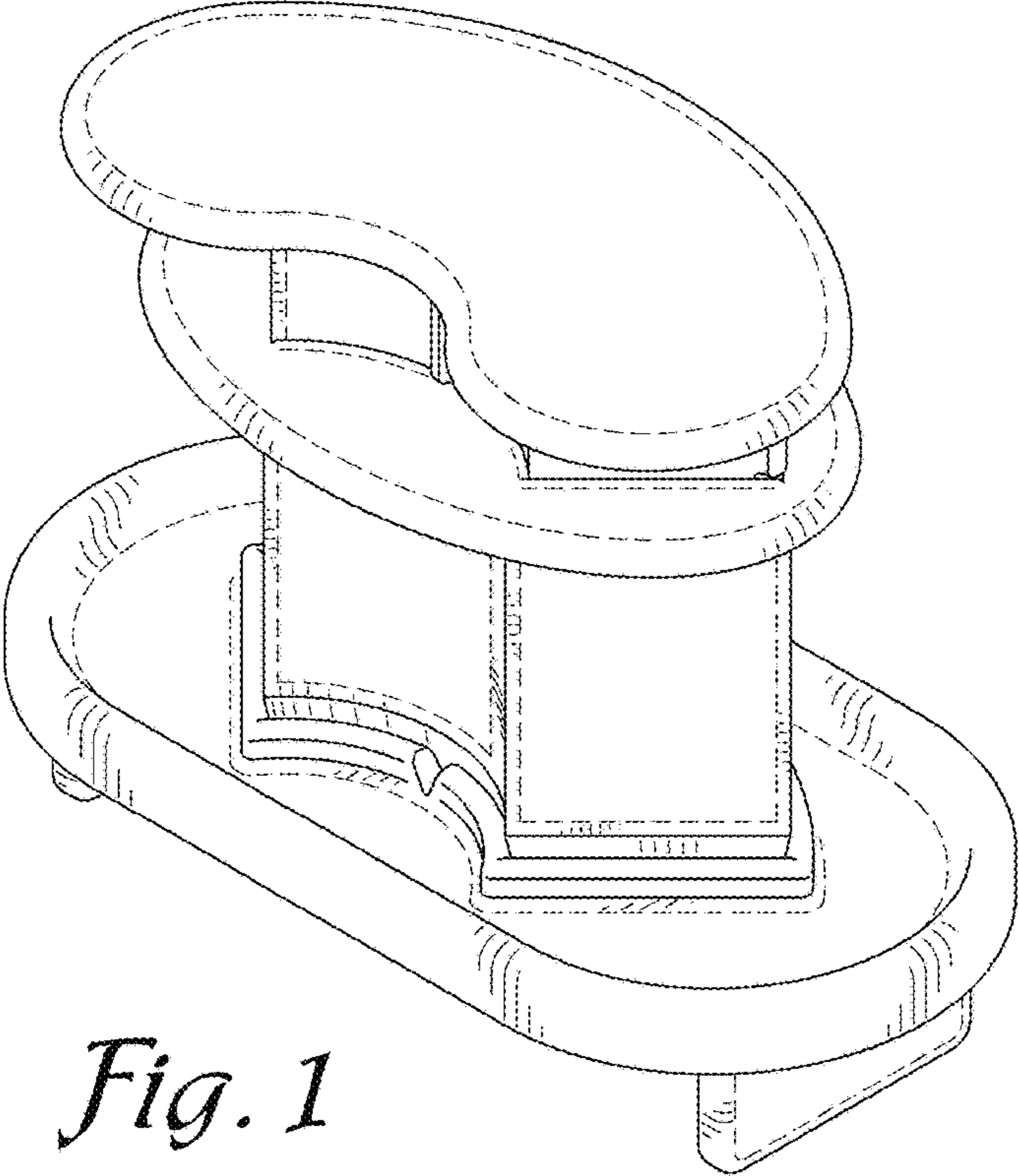


Fig. 1

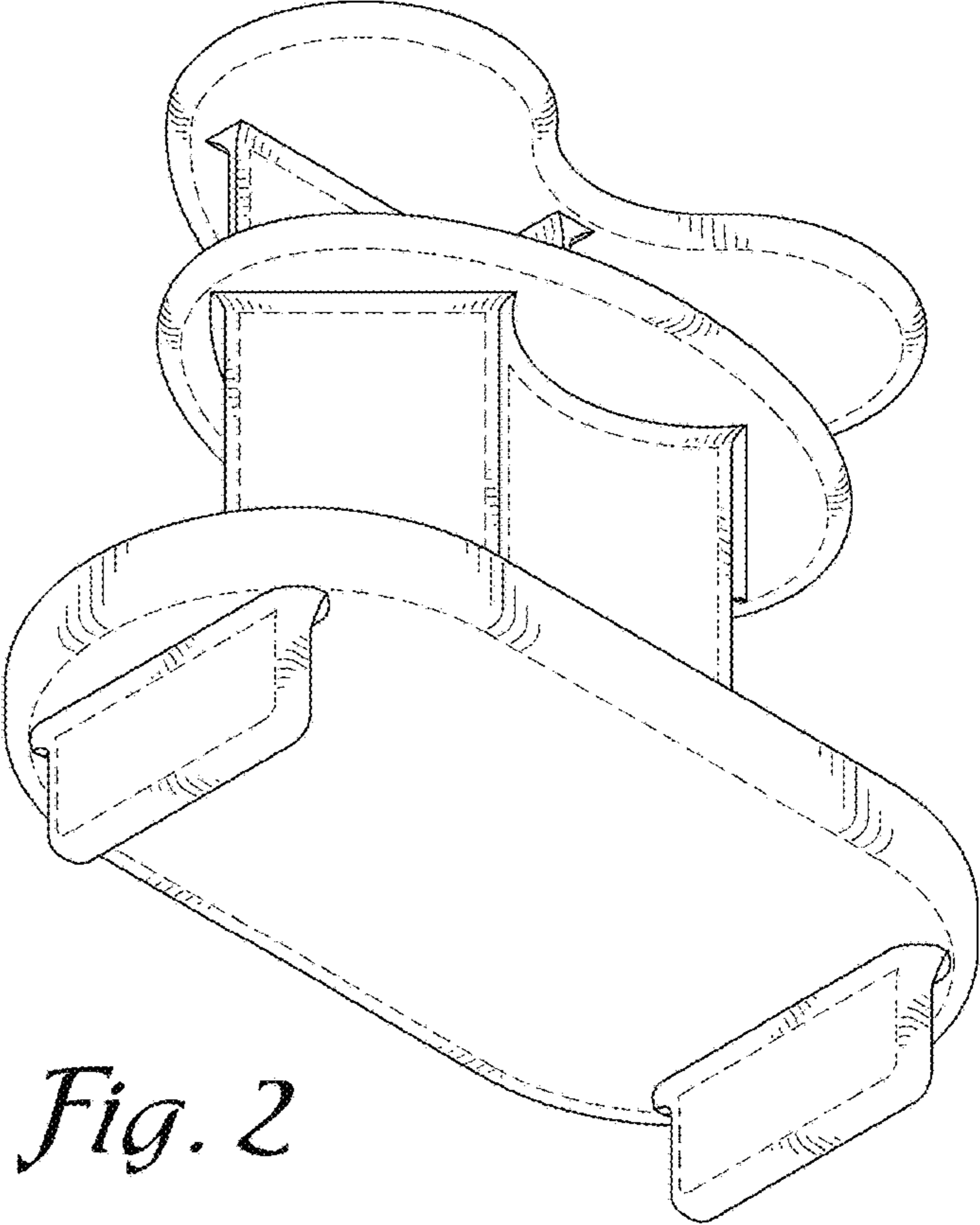


Fig. 2

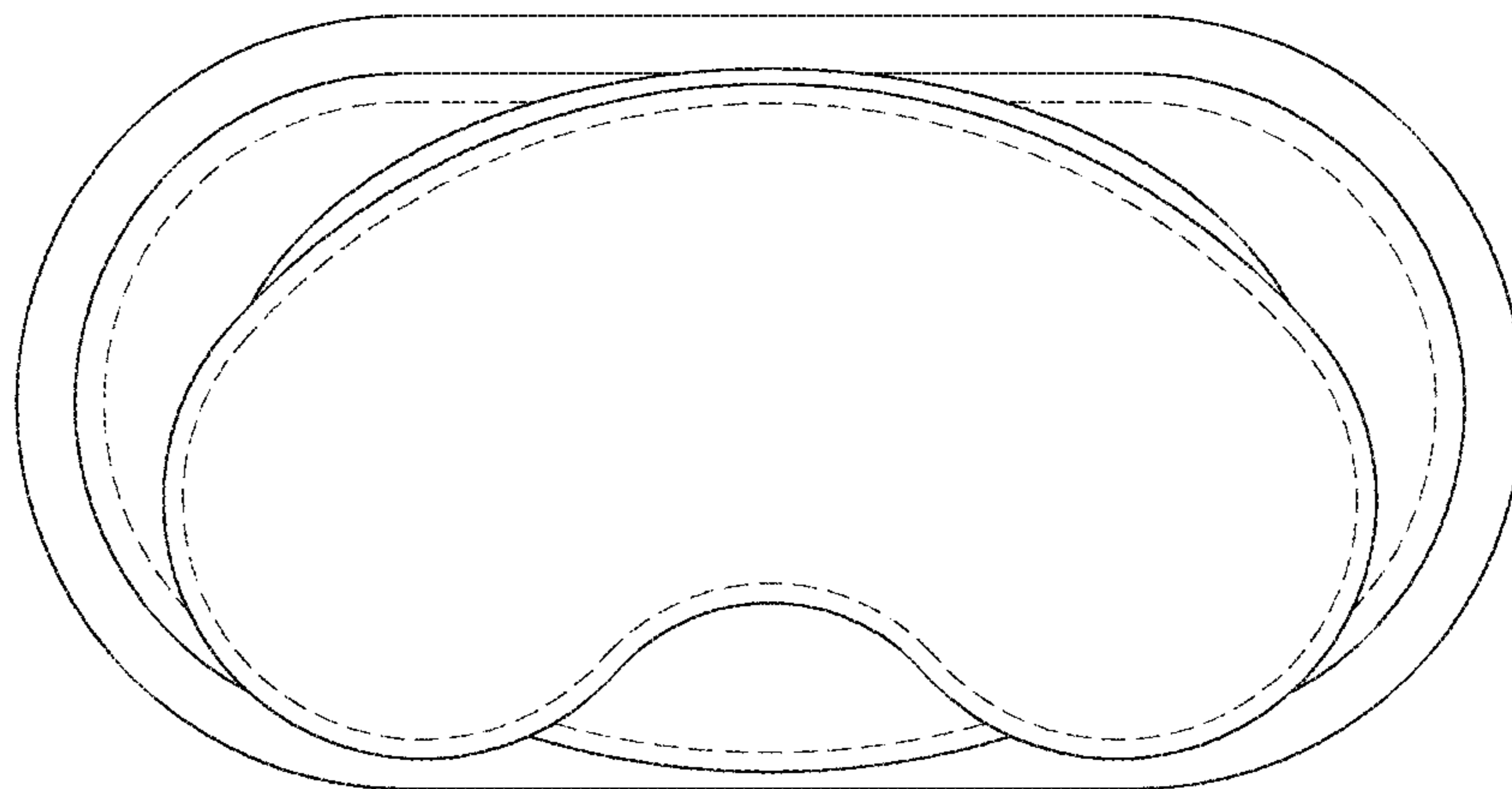


Fig. 3



Fig. 4

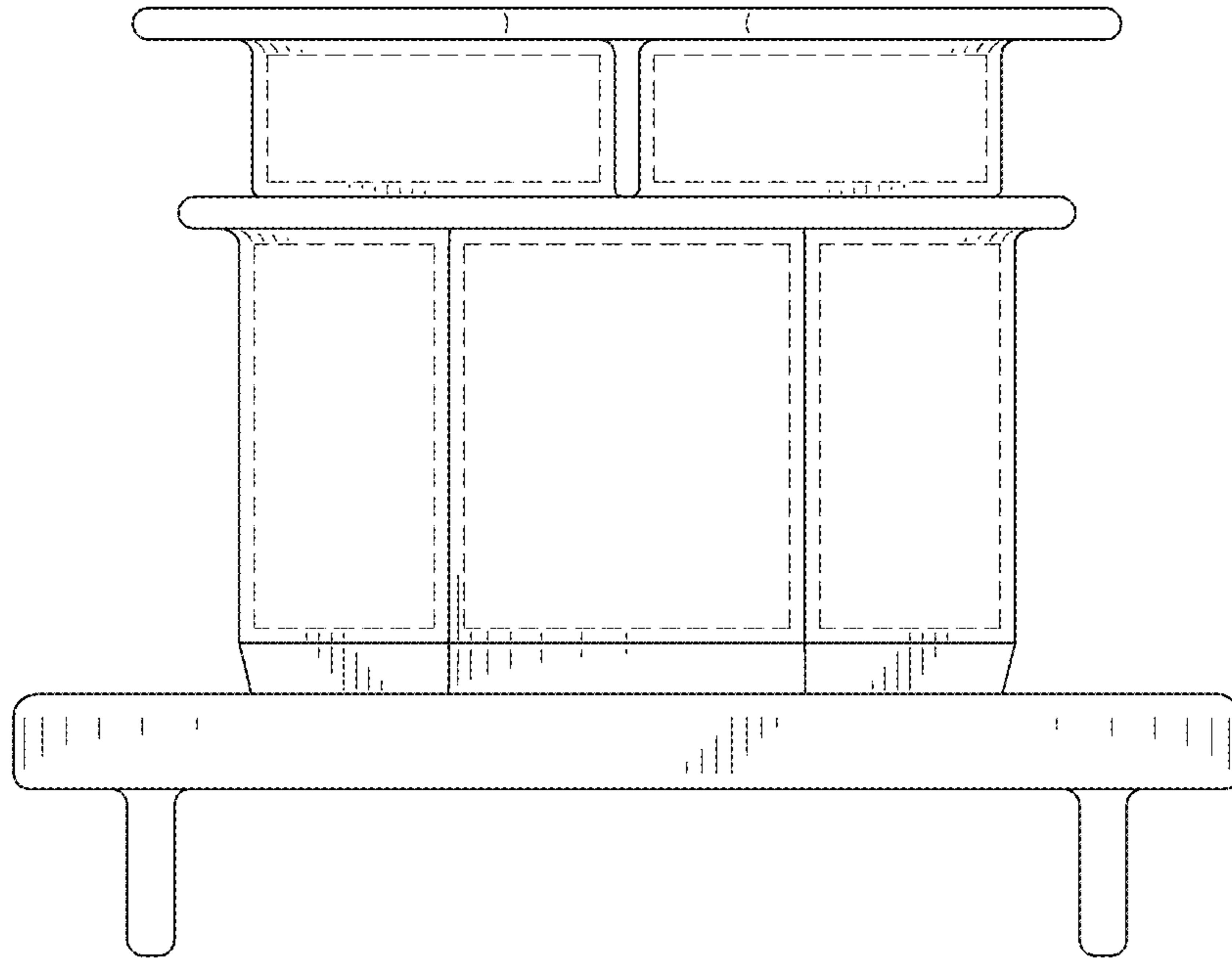


Fig. 5

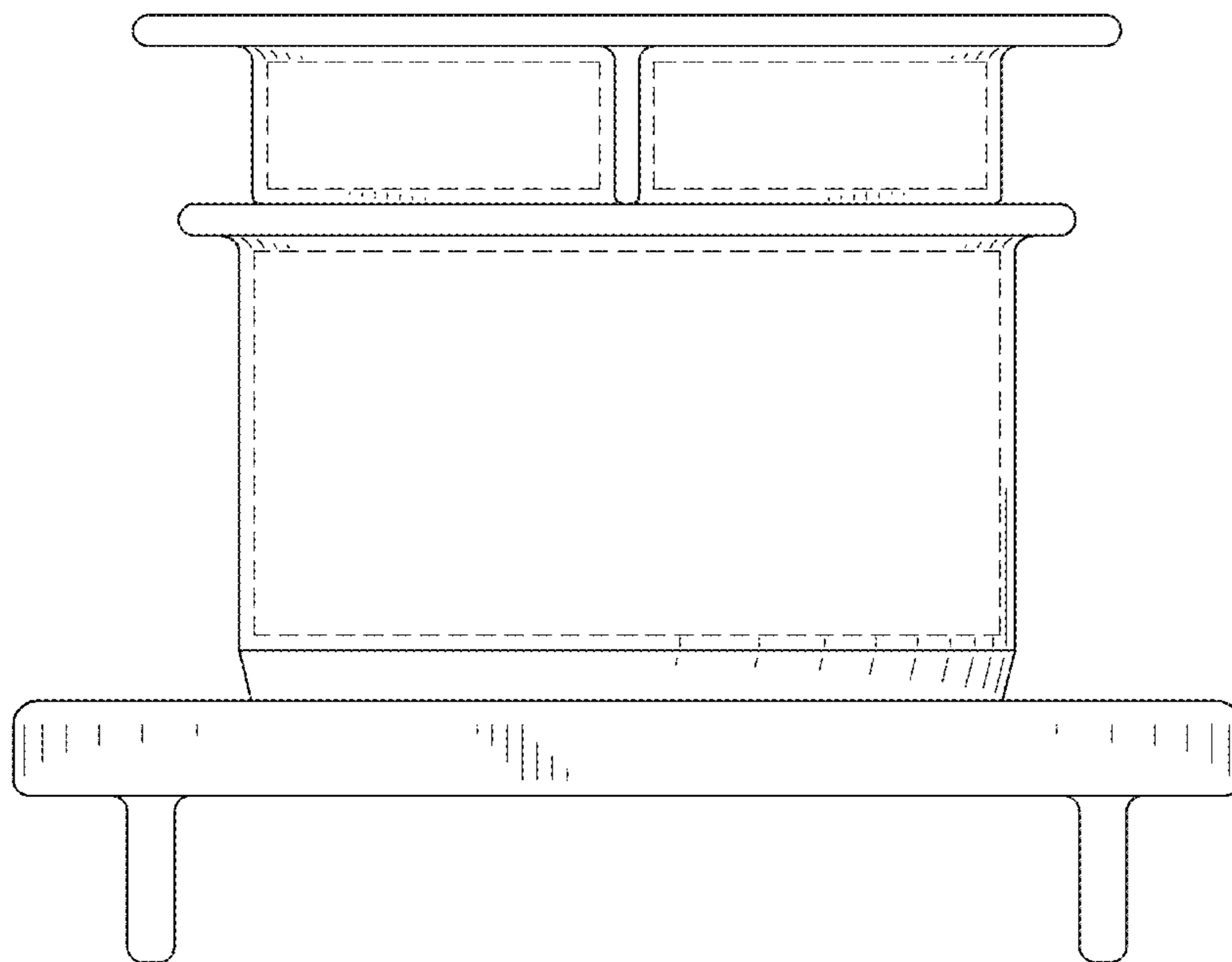


Fig. 6

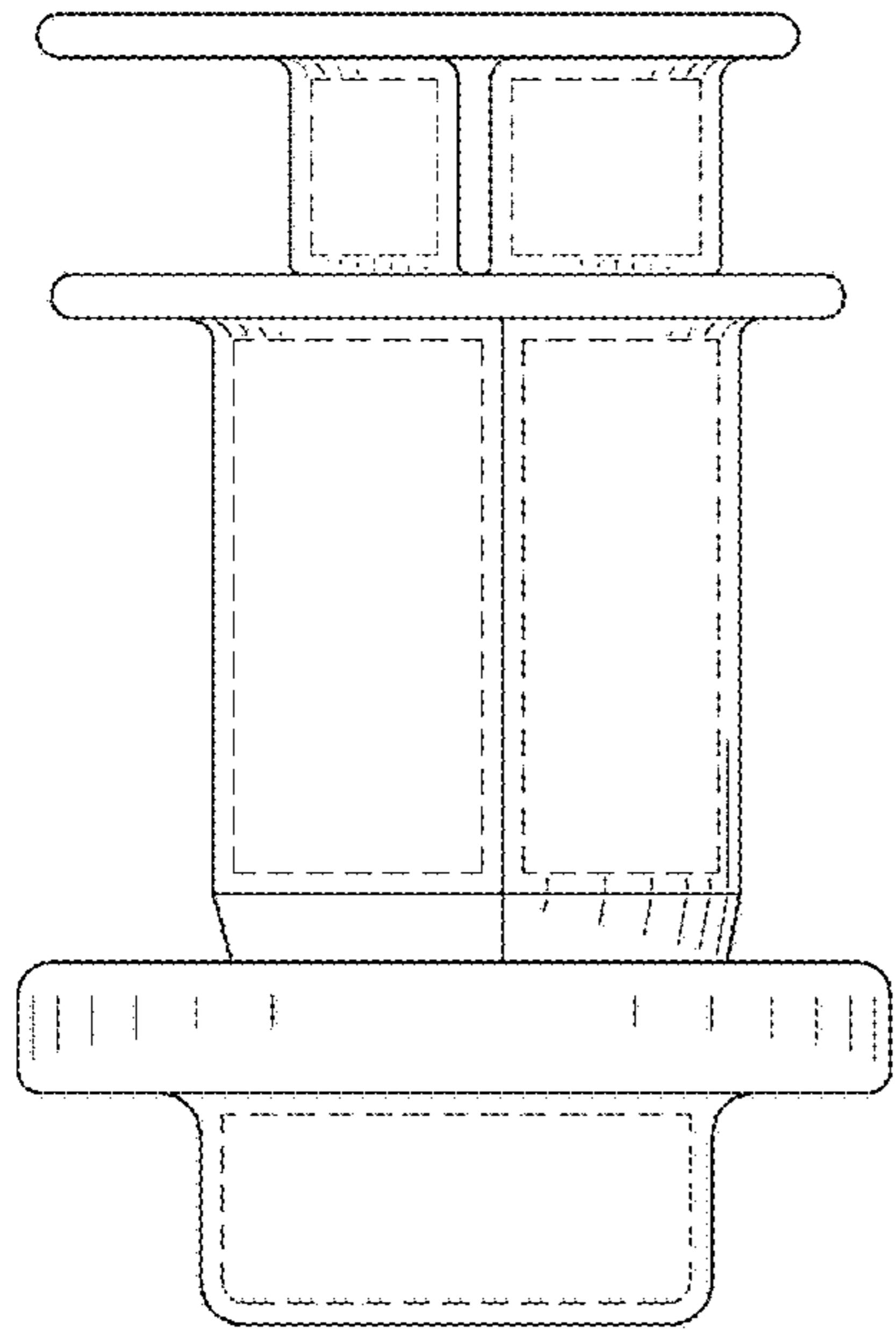


Fig. 7

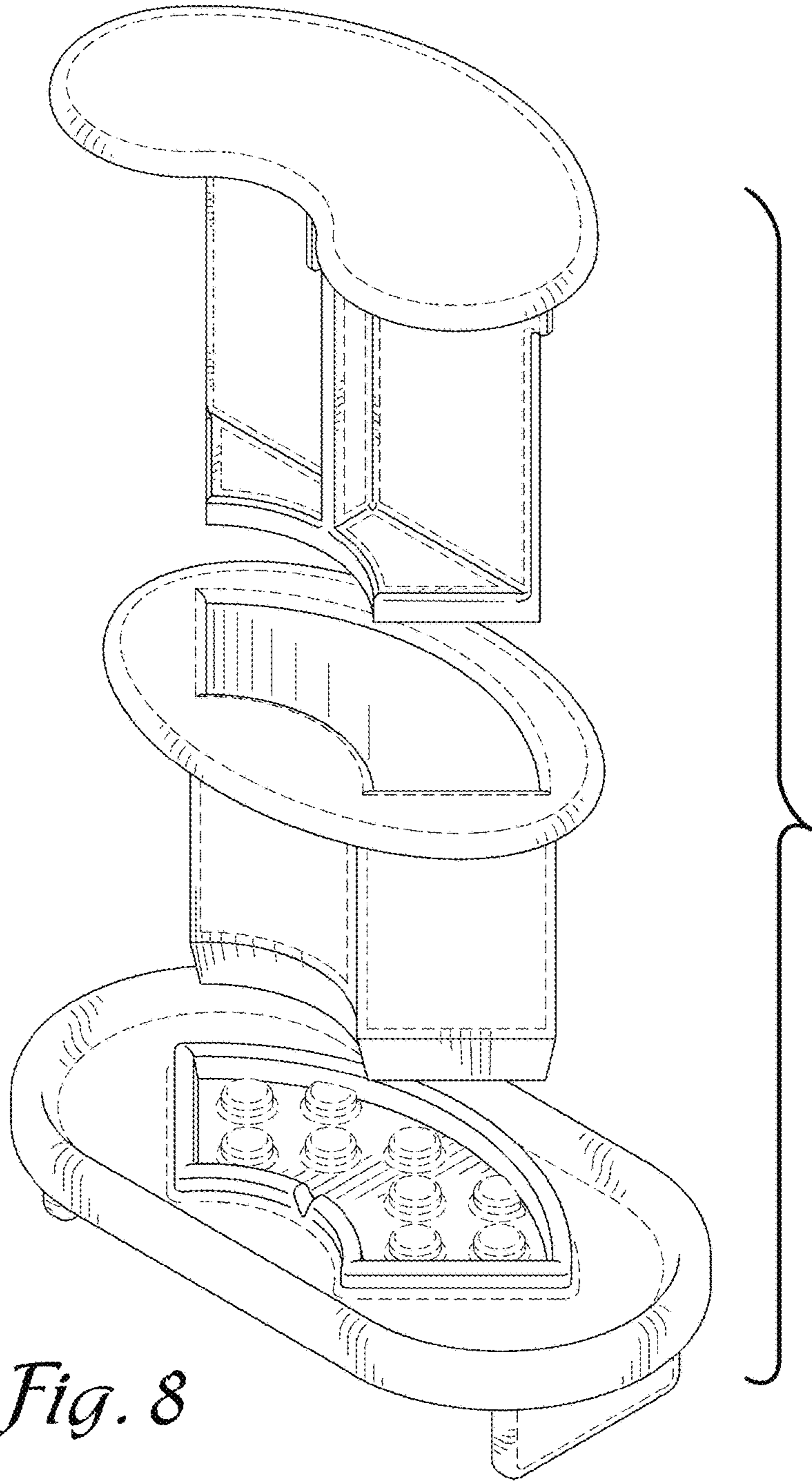


Fig. 8

