



US00D874578S

(12) **United States Design Patent** (10) **Patent No.:** **US D874,578 S**  
**Alonso** (45) **Date of Patent:** **\*\* Feb. 4, 2020**

(54) **SWEPT WING KITE**  
(71) Applicant: **Francis A. Alonso**, Santa Monica, CA (US)  
(72) Inventor: **Francis A. Alonso**, Santa Monica, CA (US)  
(\*\*) Term: **15 Years**

D149,848 S \* 6/1948 Struck ..... D21/447  
D153,590 S 5/1949 Eichman  
2,533,570 A 12/1950 Foy  
D169,962 S 7/1953 Burnelli  
D170,037 S 7/1953 Williams  
D170,751 S 11/1953 Emery  
D171,293 S 1/1954 Boyd  
D172,465 S 6/1954 Del Mar  
2,744,701 A 5/1956 Robey  
D184,453 S 2/1959 Noble  
(Continued)

(21) Appl. No.: **29/661,031**  
(22) Filed: **Aug. 23, 2018**  
(51) **LOC (12) Cl.** ..... **21-01**  
(52) **U.S. Cl.**  
USPC ..... **D21/445**  
(58) **Field of Classification Search**  
USPC ..... D12/1-4, 16.1, 319-345; D21/436-454  
CPC ..... B64C 39/024; B64C 13/16; B64C 19/00;  
B64C 2201/021; B64C 2201/141; B60H  
1/3442  
See application file for complete search history.

**FOREIGN PATENT DOCUMENTS**

JP H0531259 A 2/1993

**OTHER PUBLICATIONS**

Non-Final Office Action for U.S. Appl. No. 29/611,379, filed Jul. 20, 2017 on behalf of Francis A. Alonso. dated Jun. 19, 2018. 17 pgs.  
(Continued)

*Primary Examiner* — Marissa J Cash  
(74) *Attorney, Agent, or Firm* — Steinfl + Bruno LLP

(56) **References Cited**  
**U.S. PATENT DOCUMENTS**

1,223,163 A 4/1917 Andrew  
1,328,143 A 1/1920 Fergusson  
D143,706 S \* 2/1946 Bowers ..... D12/333  
D143,849 S \* 2/1946 Northrop ..... D12/333  
D143,857 S \* 2/1946 Northrop ..... D12/333  
D143,858 S \* 2/1946 Northrop ..... D12/333  
D143,859 S \* 2/1946 Northrop ..... D12/333  
D143,860 S \* 2/1946 Northrop ..... D12/333  
D143,862 S \* 2/1946 Northrop ..... D12/333  
D143,863 S \* 2/1946 Northrop ..... D12/333  
D143,865 S \* 2/1946 Northrop et al. .... D12/333  
D143,868 S \* 2/1946 Northrop ..... D12/333  
D143,869 S \* 2/1946 Northrop ..... D12/333  
D143,870 S \* 2/1946 Northrop ..... D12/333  
D143,871 S \* 2/1946 Northrop ..... D12/333  
D143,873 S \* 2/1946 Northrop ..... D12/333  
D149,666 S \* 5/1948 Northrop et al. .... D12/333

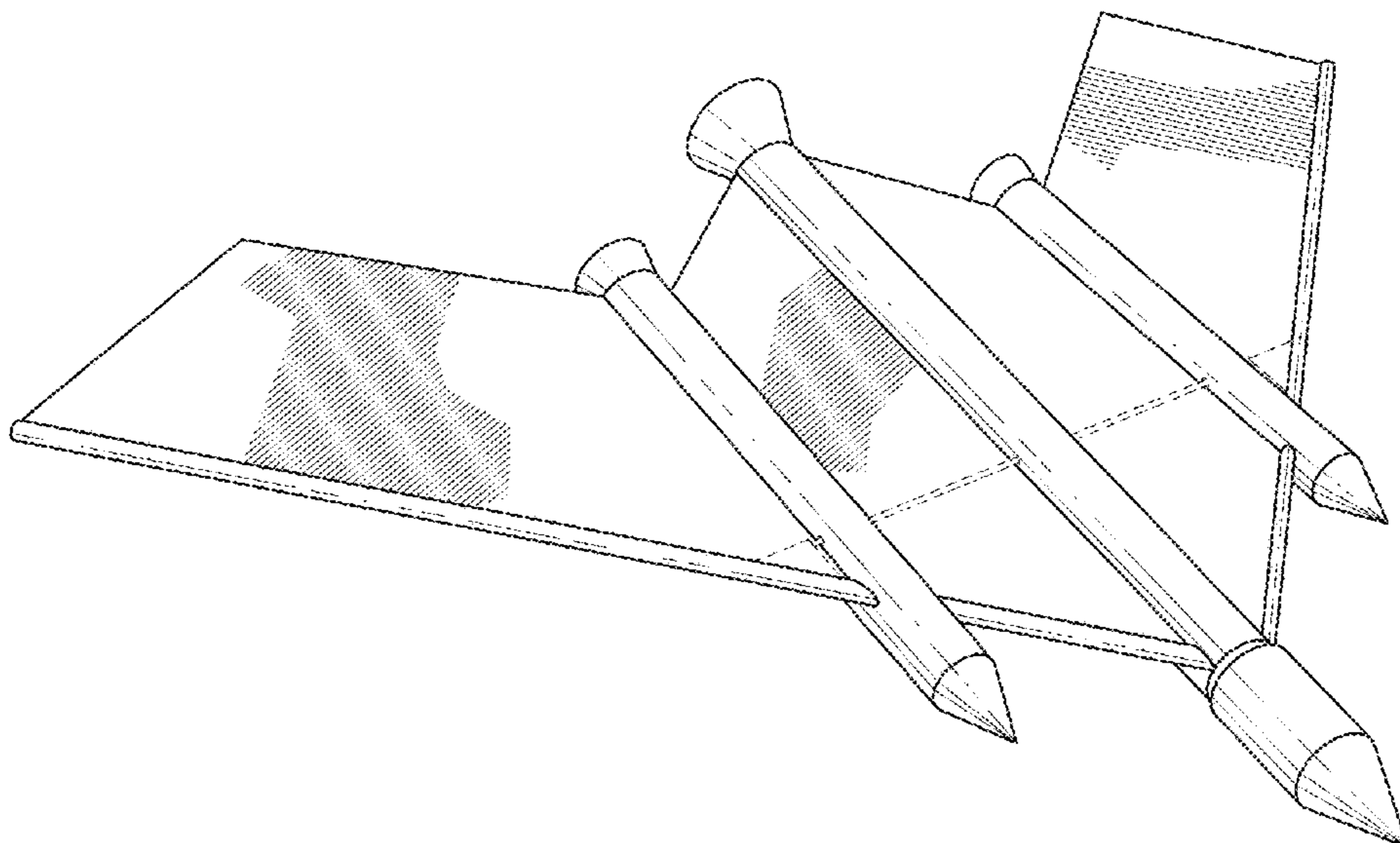
(57) **CLAIM**

The ornamental design for a swept wing kite, as shown and described.

**DESCRIPTION**

FIG. 1 is a top perspective view of a swept wing kite showing my new design;  
FIG. 2 is a top view thereof;  
FIG. 3 is a bottom view thereof;  
FIG. 4 is a right side view thereof;  
FIG. 5 is a left side view thereof;  
FIG. 6 is a front view thereof; and,  
FIG. 7 is a rear view thereof.  
In the drawings, the broken lines depict portions of a swept wing kite that form no part of the claimed design.

**1 Claim, 5 Drawing Sheets**



(56)

References Cited

U.S. PATENT DOCUMENTS

2,873,077 A 2/1959 Corbin  
D185,535 S 6/1959 Coleman  
D188,226 S \* 6/1960 Jones ..... D12/335  
2,988,309 A 6/1961 Pohl  
D194,445 S 1/1963 Walker  
D198,881 S 8/1964 King et al.  
D199,510 S \* 11/1964 Burnelli ..... D12/335  
D200,368 S 2/1965 Cohen et al.  
3,369,771 A \* 2/1968 Walley ..... B64D 5/00  
244/159.3  
D219,042 S 10/1970 King et al.  
D220,727 S \* 5/1971 Sawyer ..... D12/333  
D220,981 S \* 6/1971 Webb ..... D12/334  
D220,985 S \* 6/1971 Webb ..... D12/334  
3,740,008 A 6/1973 Grauel  
3,893,641 A 7/1975 Sutton  
D237,291 S 10/1975 Meffert  
3,951,363 A 4/1976 Grauel  
D240,437 S 7/1976 Rizzo  
D240,438 S 7/1976 Rizzo  
D240,439 S 7/1976 Rizzo  
D240,440 S \* 7/1976 Rizzo ..... D21/447  
D240,441 S 7/1976 Rizzo  
D244,265 S 5/1977 Opfer  
4,076,189 A 2/1978 Powell  
D248,745 S \* 8/1978 Jager ..... D12/333  
D257,269 S 10/1980 Miller et al.  
D263,487 S \* 3/1982 LaCrone ..... D21/451  
D270,259 S 8/1983 Hermann et al.  
D274,827 S \* 7/1984 Belloff ..... 244/153 R  
D278,226 S 4/1985 Henderson  
D278,700 S 5/1985 Powers et al.  
D279,492 S 7/1985 Eddins et al.  
D281,338 S 11/1985 Gorick et al.  
D281,680 S 12/1985 Henderson  
4,715,564 A 12/1987 Kinn et al.  
D294,154 S 2/1988 McDaniel  
4,807,832 A 2/1989 Tabor  
4,813,637 A 3/1989 Bondestam  
4,830,313 A 5/1989 Cheng  
4,848,704 A 7/1989 Sams  
D314,366 S 2/1991 Waaland et al.  
5,098,039 A 3/1992 Linden, Jr.  
5,152,481 A 10/1992 Cote et al.  
D342,717 S 12/1993 Mrdeza et al.  
D347,032 S 5/1994 Nieder  
5,312,069 A \* 5/1994 Bollinger ..... F02K 3/068  
244/12.3  
5,328,134 A 7/1994 Powers  
D362,234 S 9/1995 Urie, Jr.  
D372,218 S \* 7/1996 Herzberg ..... D12/319  
D382,851 S 8/1997 Knutson et al.  
D392,345 S 3/1998 Burghardt  
5,727,756 A 3/1998 Rowe  
D394,039 S 5/1998 Cummings  
D396,685 S 8/1998 Baumgartner et al.  
5,811,728 A 9/1998 Maeda  
5,893,535 A \* 4/1999 Hawley ..... B64C 3/00  
244/119  
D410,503 S 6/1999 Rosz  
D410,504 S 6/1999 Tsai  
5,909,858 A \* 6/1999 Hawley ..... B64C 3/00  
244/130  
D418,840 S \* 1/2000 Cota ..... D12/333  
D419,278 S 1/2000 Knutson et al.  
D428,381 S \* 7/2000 Hartmann ..... D12/332  
6,135,388 A 10/2000 Hostetter  
6,138,957 A \* 10/2000 Nastasi ..... B64C 3/10  
244/219

D444,512 S 7/2001 Miralles et al.  
D467,217 S 12/2002 Andreyko  
D468,255 S 1/2003 Gopaldaswami et al.  
6,527,224 B2 \* 3/2003 Seidel ..... B64D 33/02  
244/53 A  
D475,340 S 6/2003 Arata et al.  
D476,943 S 7/2003 Reinhard  
6,598,833 B2 7/2003 Tabor  
D482,079 S 11/2003 Solomon, Jr.  
D482,409 S 11/2003 Tabor  
6,663,050 B2 12/2003 Tabor  
D486,775 S 2/2004 Reinhard  
D488,426 S 4/2004 Hall  
6,837,463 B2 1/2005 Lynn  
6,854,690 B2 2/2005 Tabor  
D502,745 S 3/2005 Tabor et al.  
D503,141 S 3/2005 Schafroth  
6,908,360 B1 \* 6/2005 Christensen ..... A63B 65/08  
446/236  
D508,013 S 8/2005 Rihn et al.  
6,955,325 B1 10/2005 Tabor et al.  
D543,494 S 5/2007 Hall  
D583,295 S 12/2008 Au  
D588,519 S \* 3/2009 Westra ..... D12/319  
D588,976 S 3/2009 Westra et al.  
D597,148 S 7/2009 Lin  
D597,472 S 8/2009 Cazals  
7,621,484 B2 11/2009 Wingert  
D607,129 S 12/2009 Levine  
D610,066 S 2/2010 Au  
D616,352 S 5/2010 Schafroth  
D616,804 S 6/2010 Manley et al.  
D616,805 S 6/2010 Zha  
D626,490 S 11/2010 Imel  
D635,083 S 3/2011 DeLaurier  
D677,613 S 3/2013 Luther  
D690,777 S 10/2013 Lukasik  
D691,215 S 10/2013 Madigan  
D734,402 S 7/2015 Reznik  
D738,438 S 9/2015 Cummings  
9,580,172 B2 \* 2/2017 Hobart ..... B60F 5/006  
D783,453 S 4/2017 Klick  
9,625,913 B2 \* 4/2017 Golubev ..... G05D 1/0825  
D787,983 S 5/2017 Fargeau et al.  
D803,949 S 11/2017 Ferrandino  
D806,803 S 1/2018 Gould et al.  
D807,809 S 1/2018 Suzuki  
D807,966 S 1/2018 Manzoni  
D810,621 S 2/2018 Sadek  
D813,956 S \* 3/2018 McConville ..... D21/447  
10,040,547 B1 \* 8/2018 Pedigo ..... B64C 39/024  
D843,486 S 3/2019 Alonso  
D844,067 S 3/2019 Alonso  
10,315,764 B2 \* 6/2019 Shannon ..... B64D 1/12  
2007/0120017 A1 5/2007 Webb et al.  
2007/0295864 A1 12/2007 Garvin  
2008/0035795 A1 2/2008 Hassett et al.  
2012/0018583 A1 1/2012 Prieto  
2018/0134357 A1 5/2018 Vestel et al.

OTHER PUBLICATIONS

Non-Final Office Action for U.S. Appl. No. 29/611,385, filed Jul. 20, 2017 on behalf of Francis A. Alonso. dated Jun. 19, 2018. 17 pgs.  
Notice of Allowance for U.S. Appl. No. 29/611,379, filed Jul. 20, 2017, on behalf of Francis A. Alonso. dated Sep. 10, 2018. 7 pgs.  
Notice of Allowance for U.S. Appl. No. 29/611,385, filed Jul. 20, 2017, on behalf of Francis A. Alonso. dated Sep. 10, 2018. 7 pgs.

\* cited by examiner



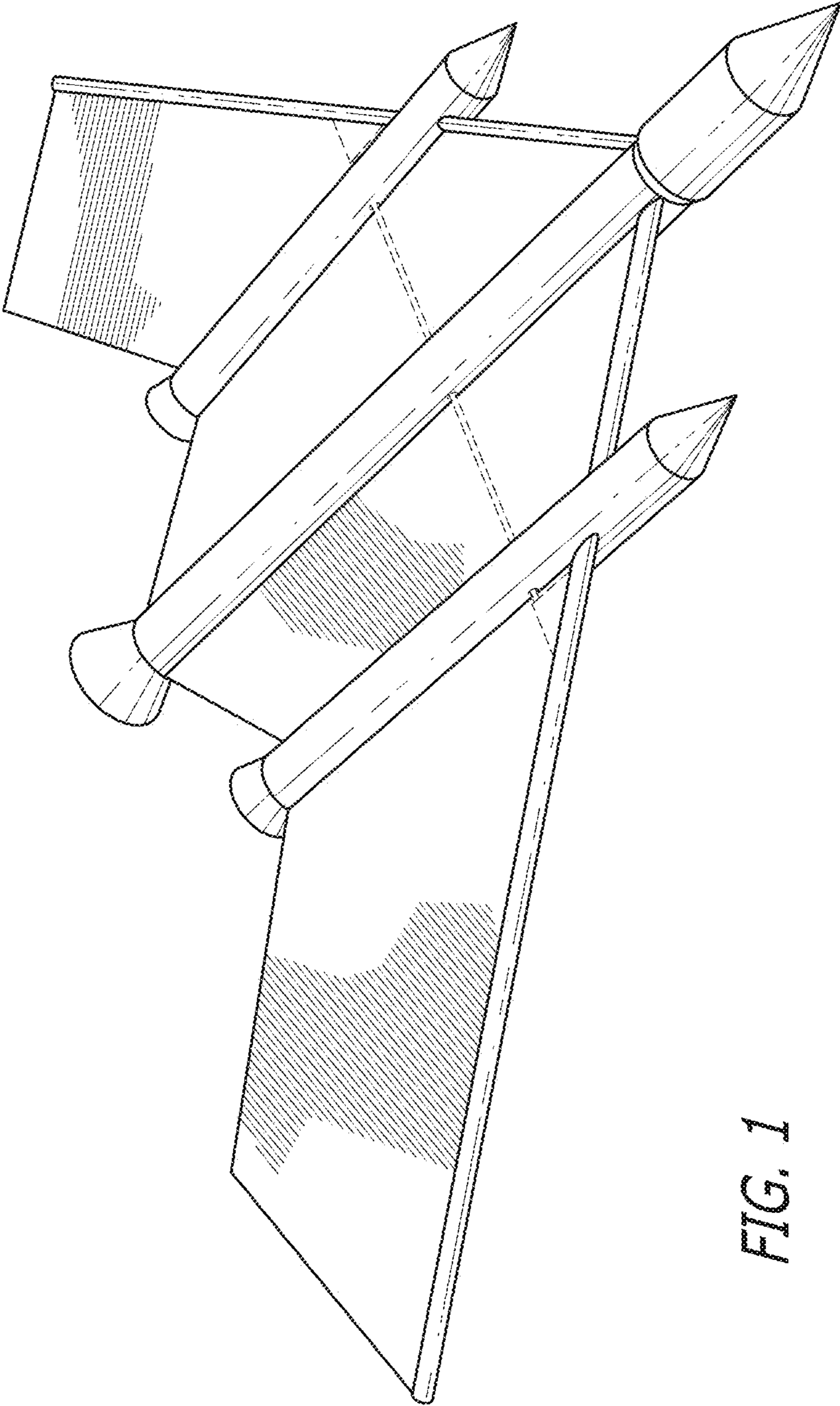


FIG. 1

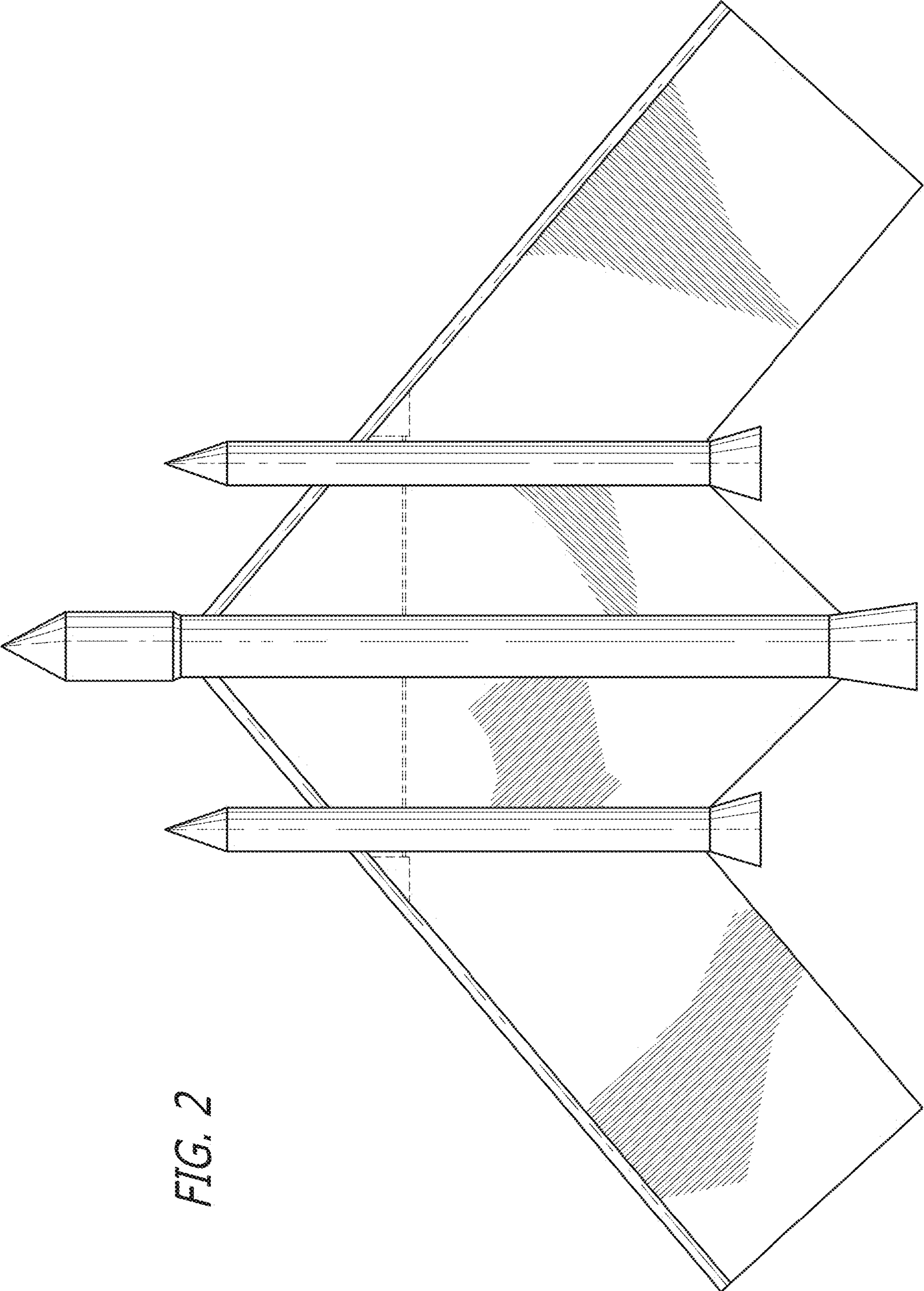


FIG. 2

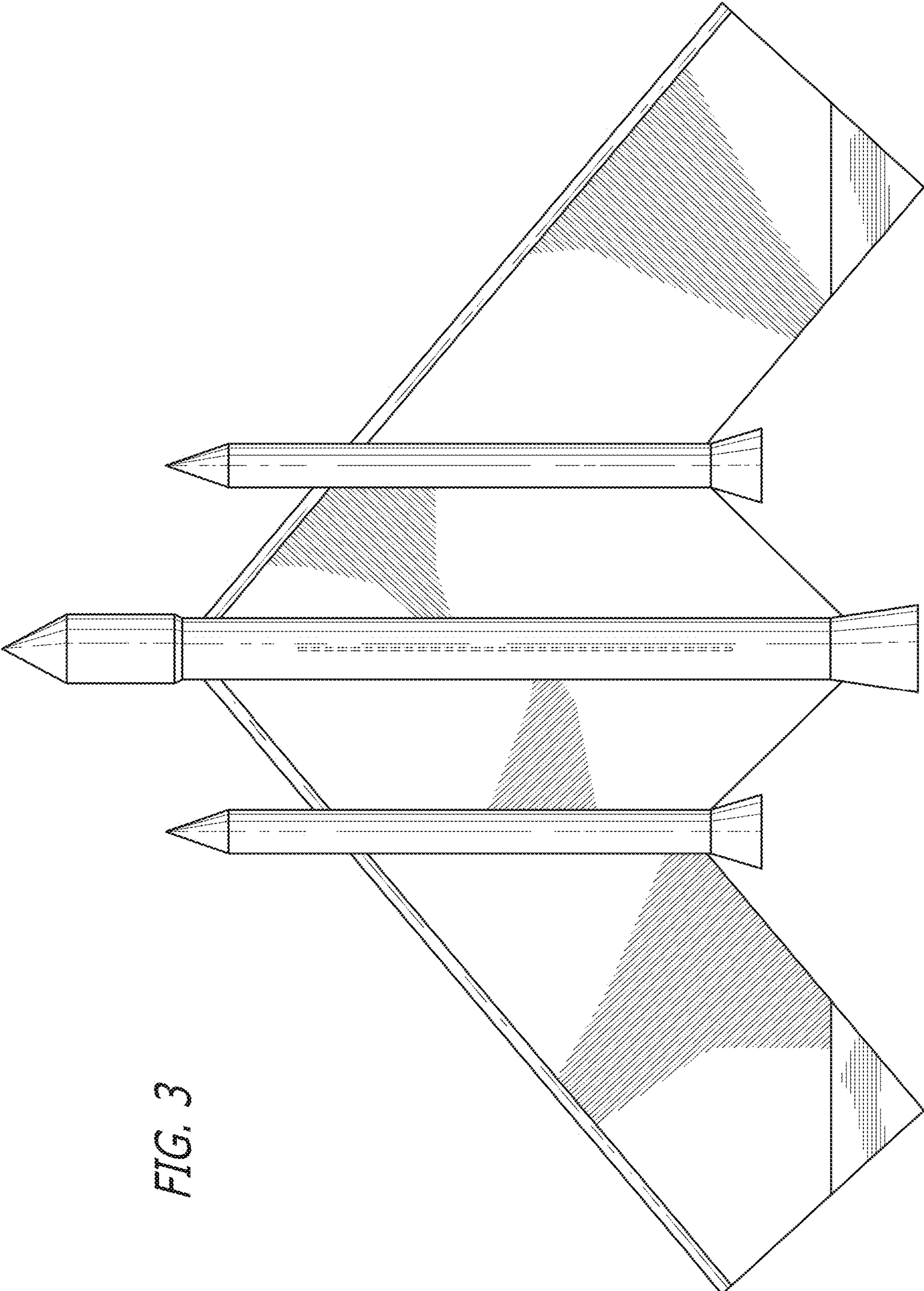


FIG. 3



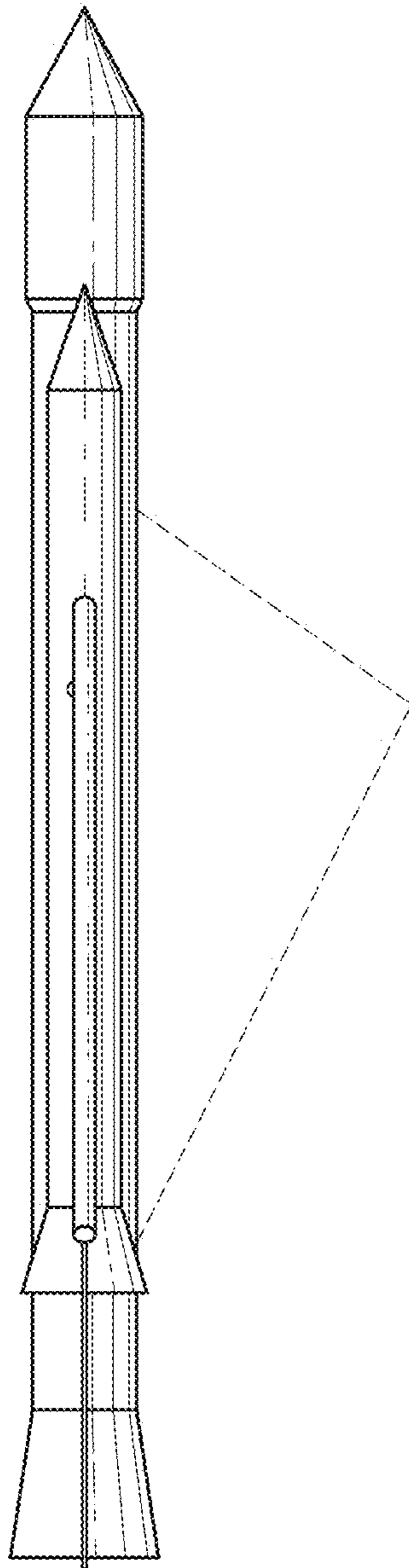


FIG. 4

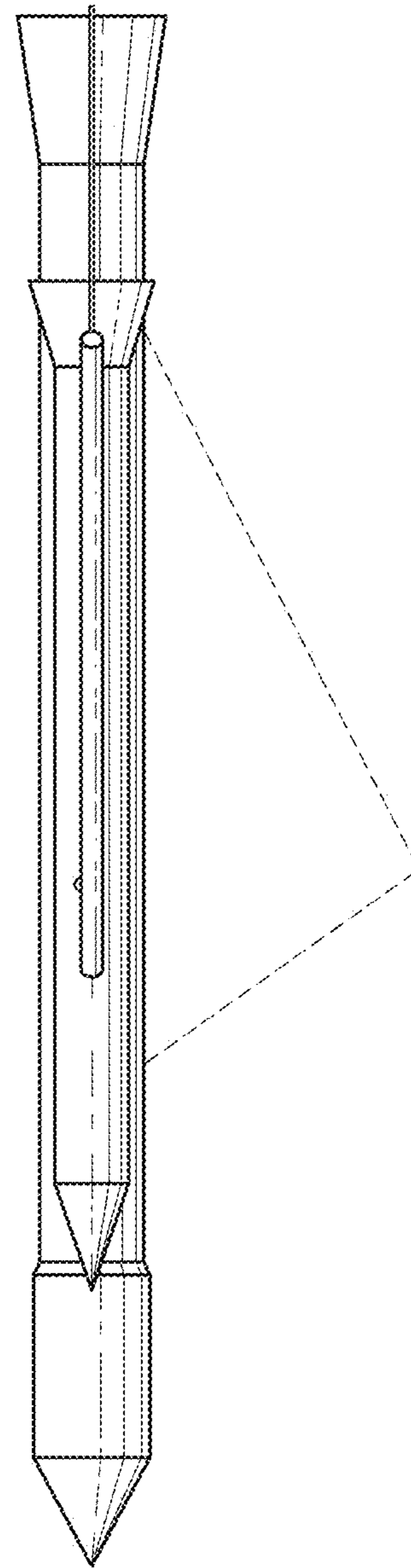


FIG. 5

FIG. 6

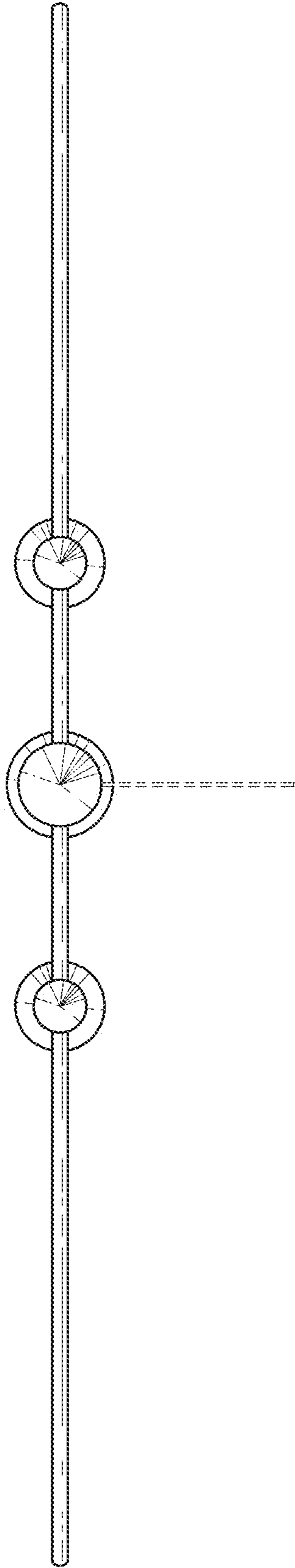


FIG. 7

