



US00D874575S

(12) **United States Design Patent** (10) **Patent No.:** **US D874,575 S**
Lewis et al. (45) **Date of Patent:** **** Feb. 4, 2020**

(54) **BUTTON PANEL**
(71) Applicant: **AGS LLC**, Las Vegas, NV (US)
(72) Inventors: **Rachel Calhoun Lewis**, Atlanta, GA (US); **Wei Gu**, Daly City, CA (US); **Ariel David Turgel**, San Francisco, CA (US)
(73) Assignee: **AGS LLC**, Las Vegas, NV (US)

D336,053 S 6/1993 Hayes et al.
D340,915 S * 11/1993 Kawase D14/125
5,500,643 A 3/1996 Grant
D372,027 S 7/1996 Tomoike
D380,759 S 7/1997 Lin
D388,085 S 12/1997 Diamantis et al.
D390,211 S * 2/1998 Yates D14/341
D392,622 S 3/1998 Lee
D394,833 S 6/1998 Muth
(Continued)

(**) Term: **15 Years**

(21) Appl. No.: **29/681,743**

(22) Filed: **Feb. 27, 2019**

Related U.S. Application Data

(62) Division of application No. 29/611,757, filed on Jul. 25, 2017.

(51) **LOC (12) Cl.** **21-03**

(52) **U.S. Cl.**
USPC **D21/369**

(58) **Field of Classification Search**
USPC D14/388, 389, 390, 318, 341, 342, 346, D14/356, 130, 218, 454, 455, 299, 371, D14/374, 378, 496, 432, 434, 457, 458, D14/215, 216, 217, 219, 221, 302, 304, D14/307, 900, 901, 902, 399; D21/324, D21/325, 329, 333, 334, 369, 370, 371, D21/385, 331; D13/162, 164, 168; D10/46, 61, 65; D19/59-61, 113; D20/1, 8, 9; D18/50, 14, 53, 54.1, 55
CPC .. G07F 17/32; G07F 17/3202; G07F 17/3204; G07F 17/3206; G07F 17/3209; G07F 17/3248; G07F 17/42; G07F 17/26; G07F 9/003; G07F 9/08; G07F 9/10
See application file for complete search history.

(56) **References Cited**

U.S. PATENT DOCUMENTS

D249,794 S * 10/1978 Howe D14/387
D333,814 S * 3/1993 Swanson D14/390

OTHER PUBLICATIONS

AGS Orion Premium Cabinet Formally Launches, Surpasses Performance and Sales Expectations. playags.com. (Online) 6 pgs. Posted Jul. 19, 2017, released to the public as early as May 2017. [Retrieved on Jan. 10, 2019] http://playags.com/ags-orion-premium-cabinet-formally-launches-surpasses-performance-sales-expectatio.*

(Continued)

Primary Examiner — Marie D. Fast Horse
(74) *Attorney, Agent, or Firm* — Weide & Miller, Ltd.

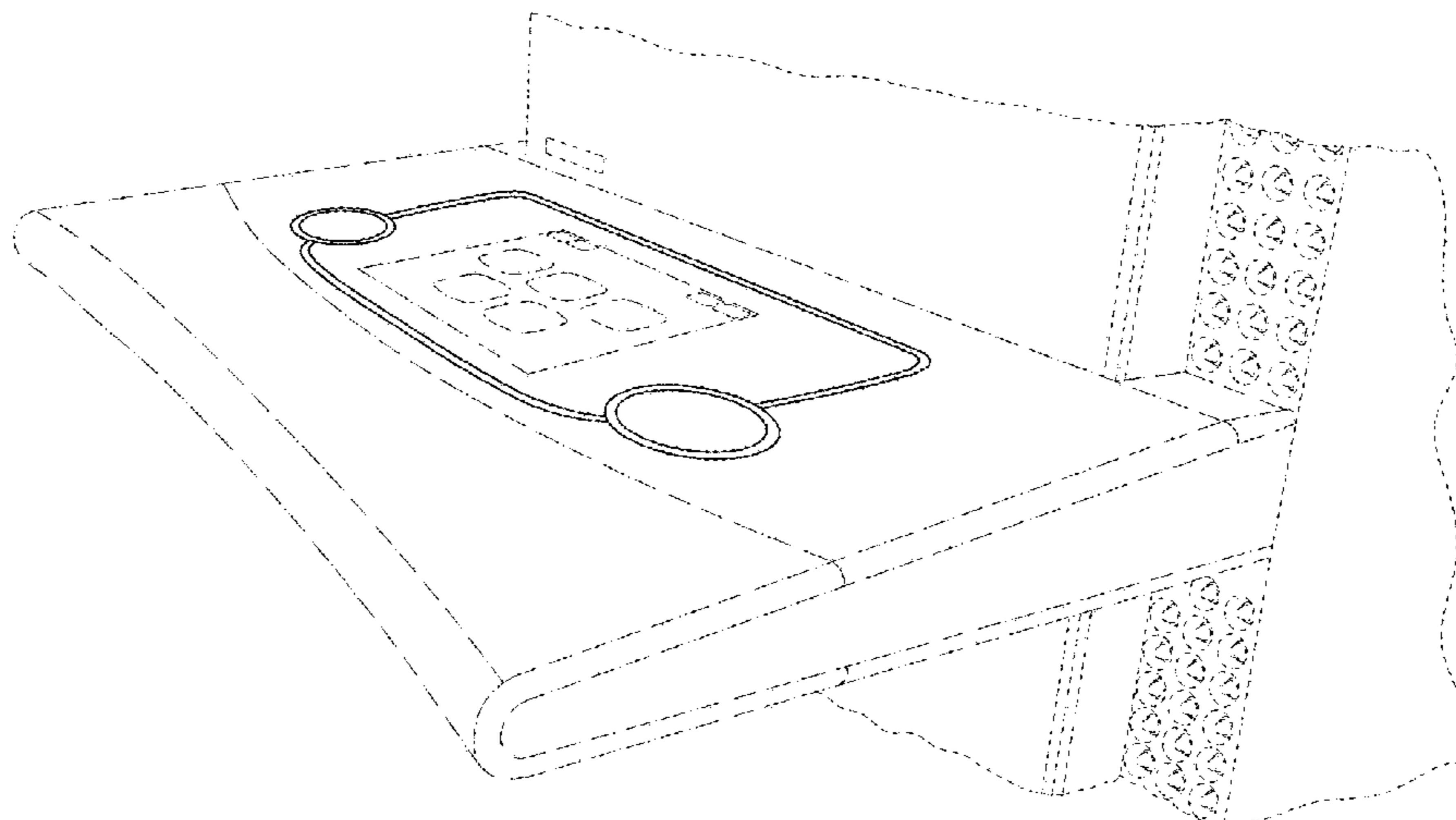
(57) **CLAIM**

The ornamental design for a button panel, as shown and described.

DESCRIPTION

FIG. 1 is an isometric view of a button panel in accordance with the invention; and, FIG. 2 is top plan view of the button panel illustrated in FIG. 1. The dash-dash broken lines depict portions of the button panel that form no part of the claim, while all other broken lines depict the environmental gaming machine structure and form no part of the claim. The surface shown between the solid lines and the broken lines forms no part of the claim.

1 Claim, 1 Drawing Sheet



(56)

References Cited

U.S. PATENT DOCUMENTS

D398,910 S * 9/1998 Suzuki D14/366
 D400,867 S 11/1998 Chen et al.
 D401,235 S 11/1998 Fuke et al.
 D404,724 S 1/1999 Brunner
 D409,540 S 5/1999 Muth
 D421,631 S * 3/2000 Tsuda D21/329
 D426,507 S 6/2000 Todd et al.
 D426,831 S 6/2000 Hu
 D427,128 S 6/2000 Mathieu
 D428,373 S 7/2000 Todd et al.
 D428,447 S 7/2000 Tang
 D430,088 S 8/2000 Todd et al.
 D430,169 S * 8/2000 Scibora D14/496
 D431,605 S * 10/2000 Scibora D21/332
 D431,708 S * 10/2000 McCormack D14/900
 D435,547 S 12/2000 Reed
 D436,380 S * 1/2001 Brettschneider D21/325
 D444,828 S * 7/2001 Matsumoto D21/696
 D448,053 S * 9/2001 Brettschneider D21/370
 D449,080 S * 10/2001 Brettschneider D21/370
 D451,150 S * 11/2001 Hedrick D21/329
 D451,152 S * 11/2001 Hedrick D21/327
 D451,153 S * 11/2001 Hedrick D21/325
 D454,920 S * 3/2002 Luciano D21/333
 D462,954 S 9/2002 Chen
 D483,770 S * 12/2003 Lum D14/398
 D494,225 S * 8/2004 Seelig D21/370
 D503,402 S * 3/2005 Su D14/388
 D508,719 S * 8/2005 de Haas D21/325
 D511,159 S 11/2005 Su et al.
 D528,991 S 9/2006 Katsuyama et al.
 D539,354 S * 3/2007 Mak D21/329
 D541,288 S * 4/2007 Lam D14/455
 D548,246 S 8/2007 Aoki
 D552,054 S 10/2007 Pena Angarita
 D553,197 S * 10/2007 Tanabe D21/370
 D555,143 S 11/2007 Chou
 D564,034 S * 3/2008 Morrow D21/329
 D564,598 S * 3/2008 Morrow D21/329
 D569,390 S 5/2008 Lee
 D577,078 S * 9/2008 Shimizu D21/370
 D583,367 S 12/2008 Chen
 D586,866 S * 2/2009 Hsu D21/370
 D622,323 S * 8/2010 De Viveiros Ortiz D21/325
 D626,604 S * 11/2010 Bruzzese D21/385
 D627,008 S * 11/2010 Bruzzese D21/385
 D641,745 S 7/2011 Griffin
 D662,908 S 7/2012 Dix et al.
 D662,909 S 7/2012 Dix et al.
 D665,853 S * 8/2012 DeSimone D21/370
 D667,007 S 9/2012 Huang
 D673,620 S * 1/2013 Johnson D21/369
 D673,621 S * 1/2013 Johnson D21/369
 D681,129 S * 4/2013 Desimone D21/370
 D684,637 S * 6/2013 Shelley D21/370
 D684,638 S * 6/2013 Shelley D21/370
 D684,639 S * 6/2013 Shelley D21/370
 D685,033 S * 6/2013 Wudtke D21/370
 D690,293 S 9/2013 Wilson
 D693,884 S * 11/2013 Galdini Ferrazoli D21/370
 D697,503 S 1/2014 Melanson et al.
 D698,777 S * 2/2014 Vaananen D14/307
 D703,218 S 4/2014 Hirano
 D706,741 S * 6/2014 Myers D14/172
 D719,945 S 12/2014 Chiang et al.
 D721,766 S * 1/2015 Ferrazoli D21/370
 D723,626 S * 3/2015 Vasquez D21/370
 D740,778 S 10/2015 Ookawa et al.
 D740,887 S * 10/2015 Randazzo D21/370
 D751,515 S * 3/2016 Paredes D13/168
 D755,657 S * 5/2016 Xu D10/104.1
 D760,846 S * 7/2016 Castro D21/370
 D771,564 S 11/2016 Shin et al.

D777,728 S * 1/2017 Garcia D14/399
 D797,714 S 9/2017 Kim
 D798,849 S 10/2017 Ookawa et al.
 D803,323 S * 11/2017 Bussey D21/369
 D803,324 S * 11/2017 Bussey D21/370
 D808,354 S * 1/2018 Castro D14/127
 D808,467 S * 1/2018 Huang D21/369
 D812,145 S * 3/2018 Huang D21/369
 D812,149 S * 3/2018 Castro D21/369
 D812,576 S * 3/2018 Gustavsson D13/164
 D813,868 S 3/2018 Jou et al.
 D818,048 S * 5/2018 Calhoun D21/369
 D820,915 S * 6/2018 Lee D21/369
 D822,766 S * 7/2018 Costa D21/325
 D826,338 S * 8/2018 Bussey D21/369
 D833,534 S * 11/2018 Lee D21/369
 D834,652 S * 11/2018 Lee D21/369
 D837,112 S 1/2019 Hamlin et al.
 D843,467 S * 3/2019 Johnson D21/369
 D843,468 S * 3/2019 Johnson D21/369
 D843,473 S * 3/2019 Zedell, Jr. D21/369
 D847,905 S * 5/2019 Lewis D21/369
 D849,150 S * 5/2019 Gallagher D21/369
 D855,112 S * 7/2019 Glenn, II D21/369
 D855,113 S * 7/2019 Glenn, II D21/369
 D855,114 S * 7/2019 Glenn, II D21/369
 2002/0093136 A1 7/2002 Moody
 2009/0124327 A1 5/2009 Caputo et al.
 2009/0179597 A1 7/2009 Salmon
 2012/0064961 A1 3/2012 Vancura
 2013/0065667 A1 * 3/2013 Nelson G07F 17/3223
 463/25
 2013/0084948 A1 * 4/2013 Watkins G07F 17/3276
 463/23
 2013/0090156 A1 * 4/2013 Oh G07F 17/3267
 463/25
 2014/0073418 A1 * 3/2014 LeMay G07F 17/3204
 463/29
 2014/0206432 A1 * 7/2014 Radek G07F 17/3223
 463/25
 2015/0031436 A1 * 1/2015 Suda G07F 17/34
 463/20
 2015/0038216 A1 2/2015 Sprinkle
 2015/0065227 A1 * 3/2015 Naylor G07F 17/3244
 463/25
 2016/0148466 A1 5/2016 Pececnik et al.
 2017/0165573 A1 6/2017 Froy et al.
 2018/0018851 A1 1/2018 Devine et al.
 2018/0025588 A1 1/2018 Ma et al.
 2018/0078854 A1 * 3/2018 Achmueller A63F 13/20
 2018/0286181 A1 10/2018 Craig
 2018/0365928 A1 12/2018 Froy et al.

OTHER PUBLICATIONS

Imagenes Para Grabados Y Transferencias (Images for Recordings and Transfers). p. 8 and 11 of 11. Posted Jan. 24, 2011. [Retrieved on Jan. 10, 2019] <https://anabelchi.blogspot.com/2011/01/imagenes-para-grabados-y-transferencias.html>.
 Bally, Alpha 2 Pro Wave, <https://www.sggaming.com/games/bally/alpha-2-pro-wave>, accessed Nov. 10, 2017, 2 pages.
 Aristocrat Technologies, Arc Single, <http://www.aristocrat-us.com/arc-single>, accessed Nov. 10, 2017, 1 page.
 Aristocrat Technologies, The Frame for the Game, <https://www.aristocrat.com/cabinets>, accessed Nov. 10, 2017, 12 pages.
 Aristocrat Technologies, Helix+ Brochure, 6 pages.
 IGT, CrystalCore® 42", <https://www.igt.com/products-and-services/gaming/cabinets/crystalcore-42>, accessed Nov. 10, 2017, 2 pages.
 Screen shot of Youtube video "CrystalCurve™ Gaming Machine by IGT—Product Video ", <https://www.youtube.com/watch?v=GYIpTQIUik>, uploaded on Jan. 12, 2017, 1 page.
 IGT CrystalCurve™ Product Literature, copyright 2015, 14 pages.

* cited by examiner

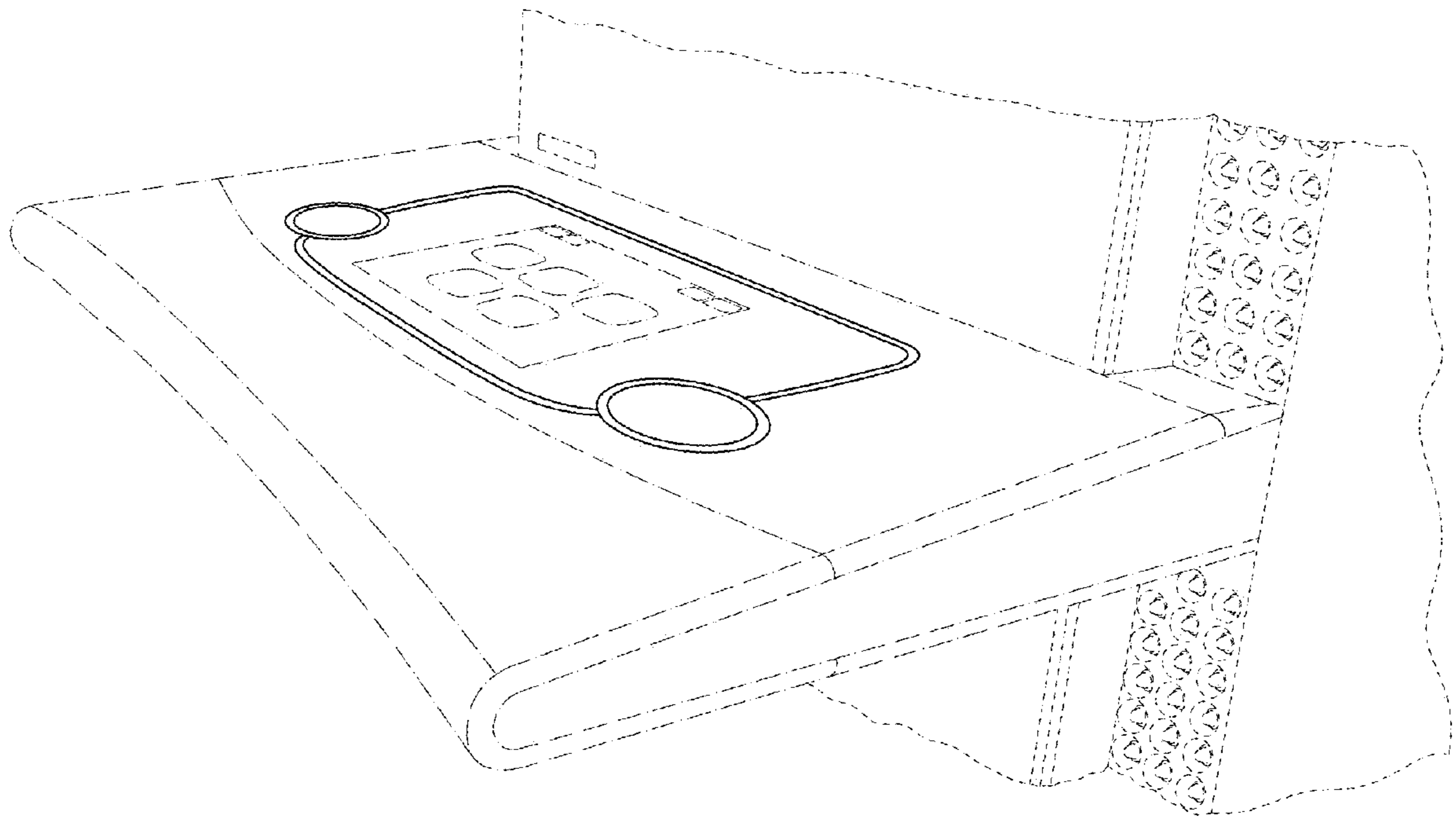


FIG. 1

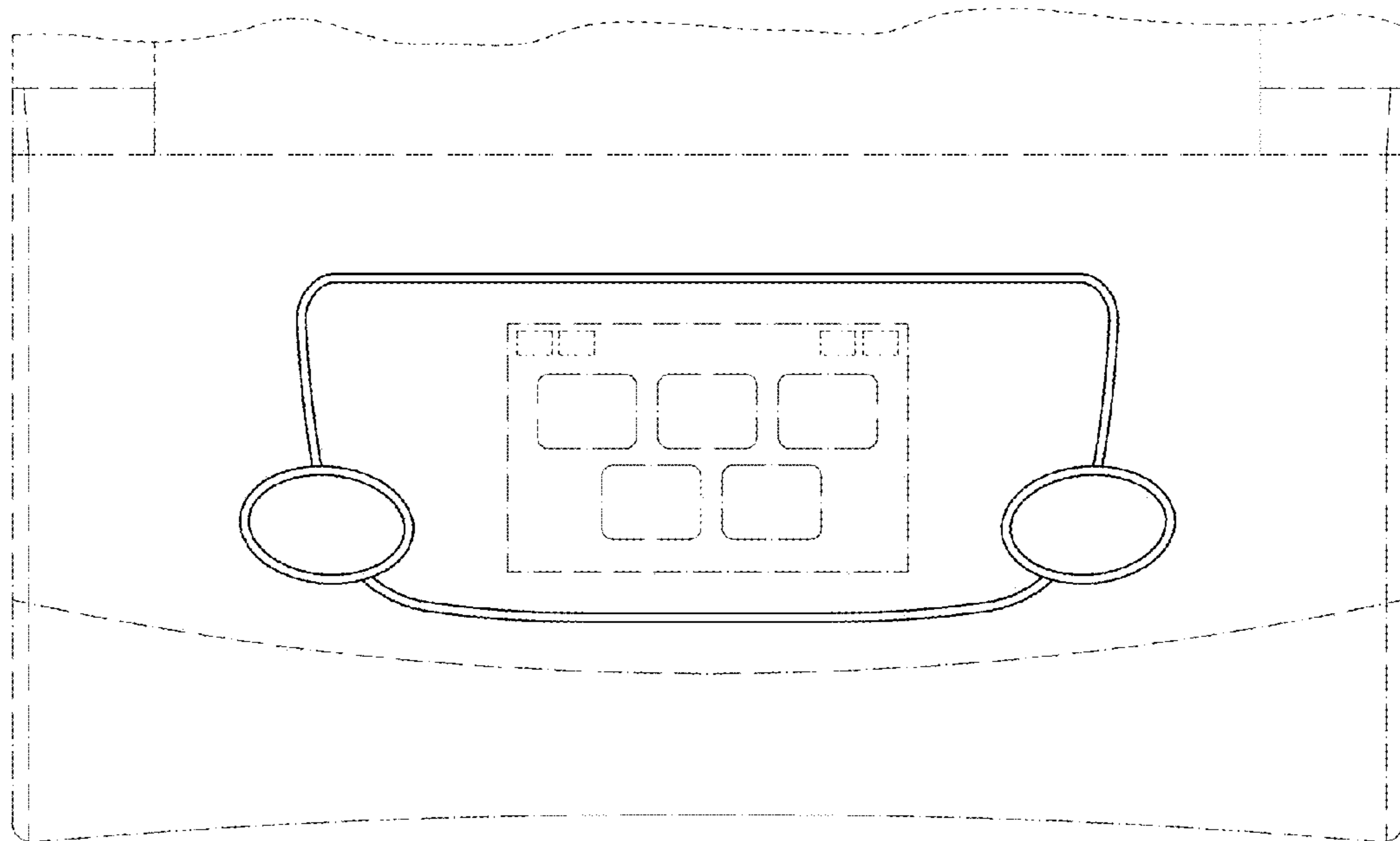


FIG. 2