



US00D874572S

(12) **United States Design Patent**
Radecki

(10) **Patent No.:** **US D874,572 S**
(45) **Date of Patent:** **** Feb. 4, 2020**

- (54) **ROLLING RAMP GAME**
- (71) Applicant: **Dale Radecki**, Amherst, NY (US)
- (72) Inventor: **Dale Radecki**, Amherst, NY (US)
- (**) Term: **15 Years**
- (21) Appl. No.: **29/654,311**
- (22) Filed: **Jun. 22, 2018**
- (51) **LOC (12) Cl.** **21-01**
- (52) **U.S. Cl.**
USPC **D21/303**; D34/24
- (58) **Field of Classification Search**
USPC D21/302, 303, 308, 314, 341, 342, 362,
D21/699, 703, 704, 705, 707, 715, 723,
D21/779, 790; D34/6, 10, 14, 24, 32
CPC A63F 9/0204; B65F 1/14; A01G 9/02
See application file for complete search history.

- D552,821 S * 10/2007 Habib D34/5
- 7,597,558 B2 * 10/2009 Mazloompour ... A63B 69/0097
434/247
- D616,620 S * 5/2010 Carroll D32/53
- 7,908,794 B2 * 3/2011 White A01G 9/02
47/66.6
- D636,551 S * 4/2011 Dixon D34/24
- D640,438 S * 6/2011 Worth D34/24
- 8,277,339 B2 * 10/2012 de la Gandara ... A63B 69/3676
473/405
- 8,757,453 B1 * 6/2014 Olsson B65D 25/48
220/700
- 8,789,836 B2 * 7/2014 Umbro B62B 1/042
280/47.26
- D752,309 S * 3/2016 Hernandez D34/27
- D779,602 S * 2/2017 Hochberg D21/705
- D779,763 S * 2/2017 Bishop D34/24
- D781,021 S * 3/2017 Parker D34/24
- D802,865 S * 11/2017 Dervin D34/10

(Continued)

Primary Examiner — Sandra S Snapp
Assistant Examiner — Mehri F Bajoul
 (74) *Attorney, Agent, or Firm* — Vincent G. LoTempio;
 Kloss, Stenger & LoTempio; David T. Stephenson

(56) **References Cited**

U.S. PATENT DOCUMENTS

- 2,977,130 A * 3/1961 Jordan B62B 1/002
280/47.18
- D257,874 S * 1/1981 Sheehan D21/817
- 4,662,101 A * 5/1987 Fisher A01M 23/04
43/69
- 5,165,690 A * 11/1992 Kelley, Jr. A63B 63/007
472/88
- D353,930 S * 12/1994 Johnson D21/687
- 5,380,033 A * 1/1995 Harling B62B 1/12
280/47.19
- 5,433,463 A * 7/1995 Finley B62B 1/264
280/47.16
- D374,533 S * 10/1996 Read D34/24
- D380,797 S * 7/1997 Schwan D21/699
- 5,752,703 A * 5/1998 Wong A63F 9/0204
273/342
- D436,705 S * 1/2001 Dow D34/1
- D463,648 S * 9/2002 Johnson D34/12
- D491,995 S * 6/2004 Frey D21/817

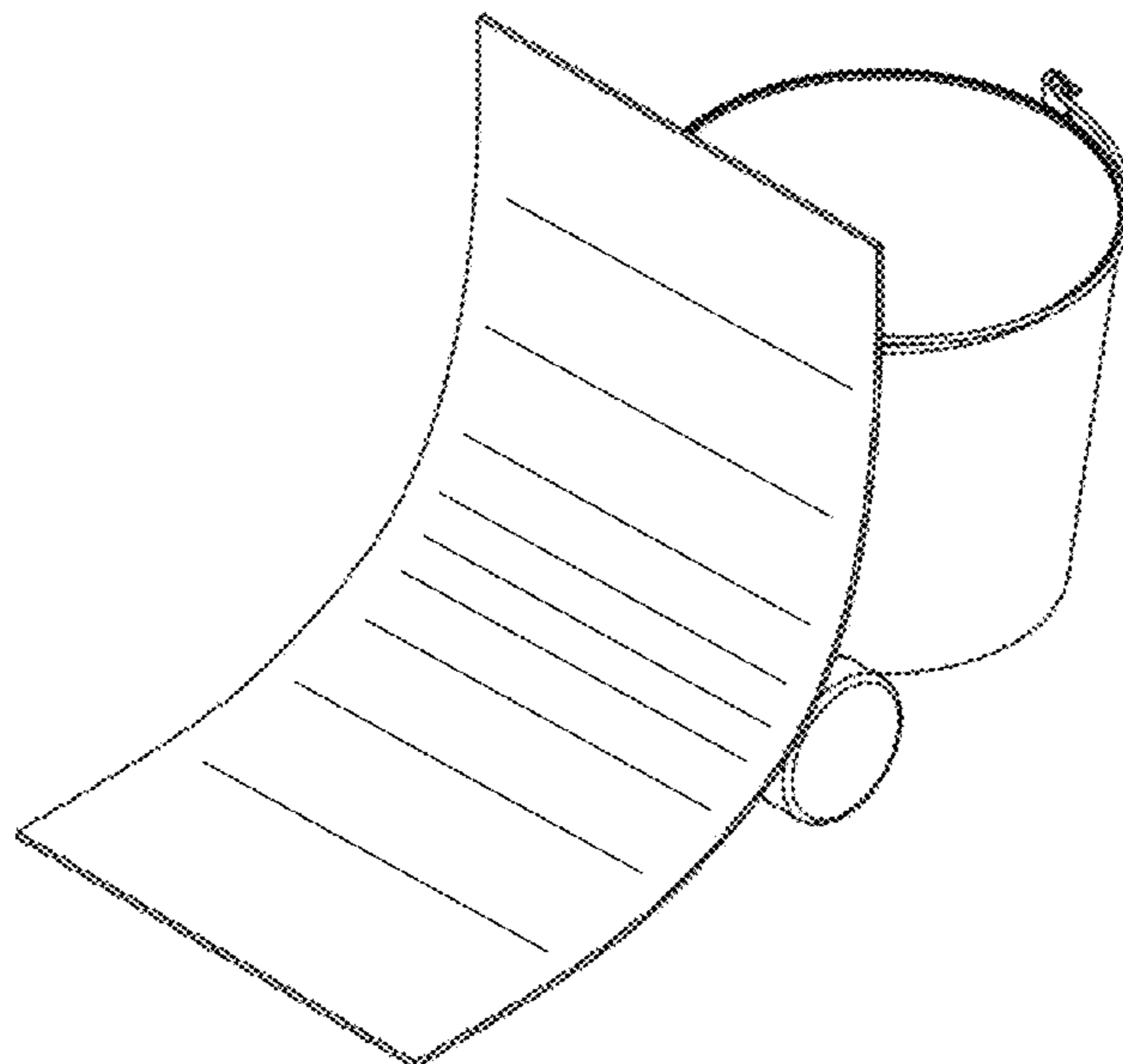
(57) **CLAIM**

The ornamental design for a rolling ramp game, as shown and described.

DESCRIPTION

FIG. 1 is a top perspective view of the rolling ramp game, showing my new design;
 FIG. 2 is a front view thereof;
 FIG. 3 is a back view thereof;
 FIG. 4 is a right side view thereof;
 FIG. 5 is a left side view thereof;
 FIG. 6 is a top view thereof;
 FIG. 7 is a bottom view thereof; and,
 FIG. 8 is a bottom perspective view thereof.

1 Claim, 4 Drawing Sheets



(56)

References Cited

U.S. PATENT DOCUMENTS

D817,407 S *	5/2018	Melo	D21/302
10,301,109 B2 *	5/2019	Dervin	A47L 13/52
2004/0149761 A1 *	8/2004	Smith	B65F 1/14
			220/630
2019/0282003 A1 *	9/2019	Otchere	A01G 9/02

* cited by examiner

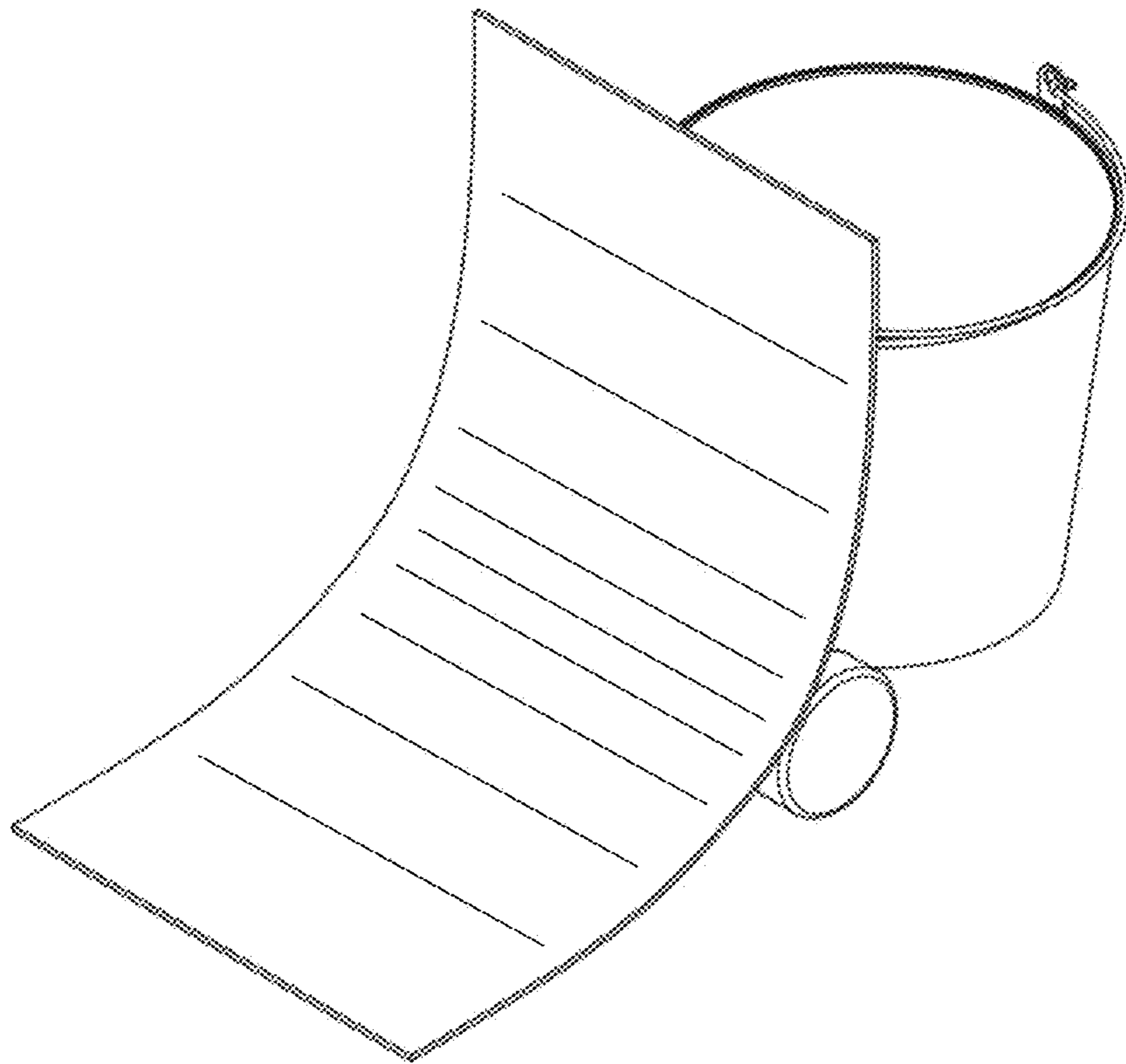


FIG. 1

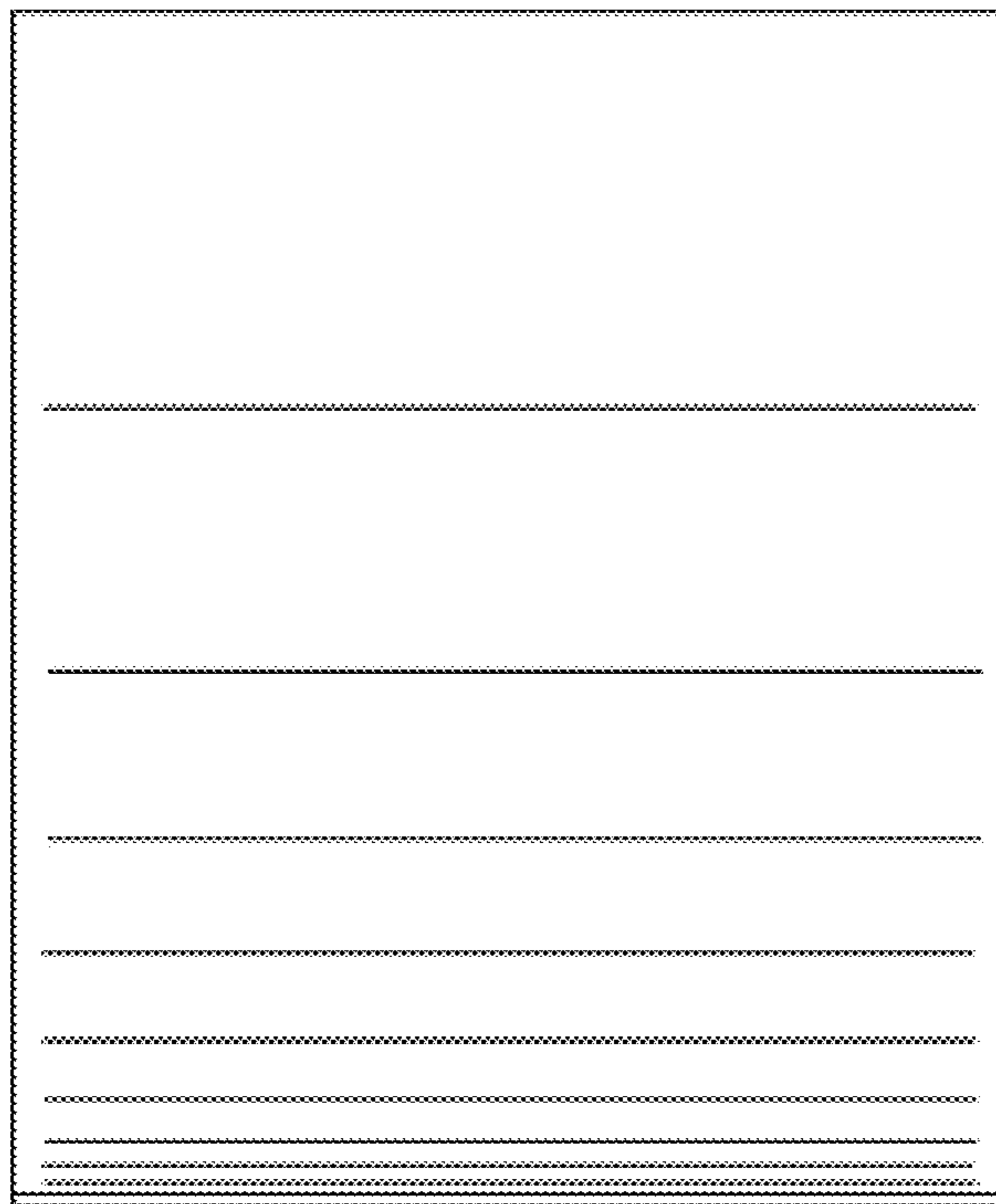


FIG. 2

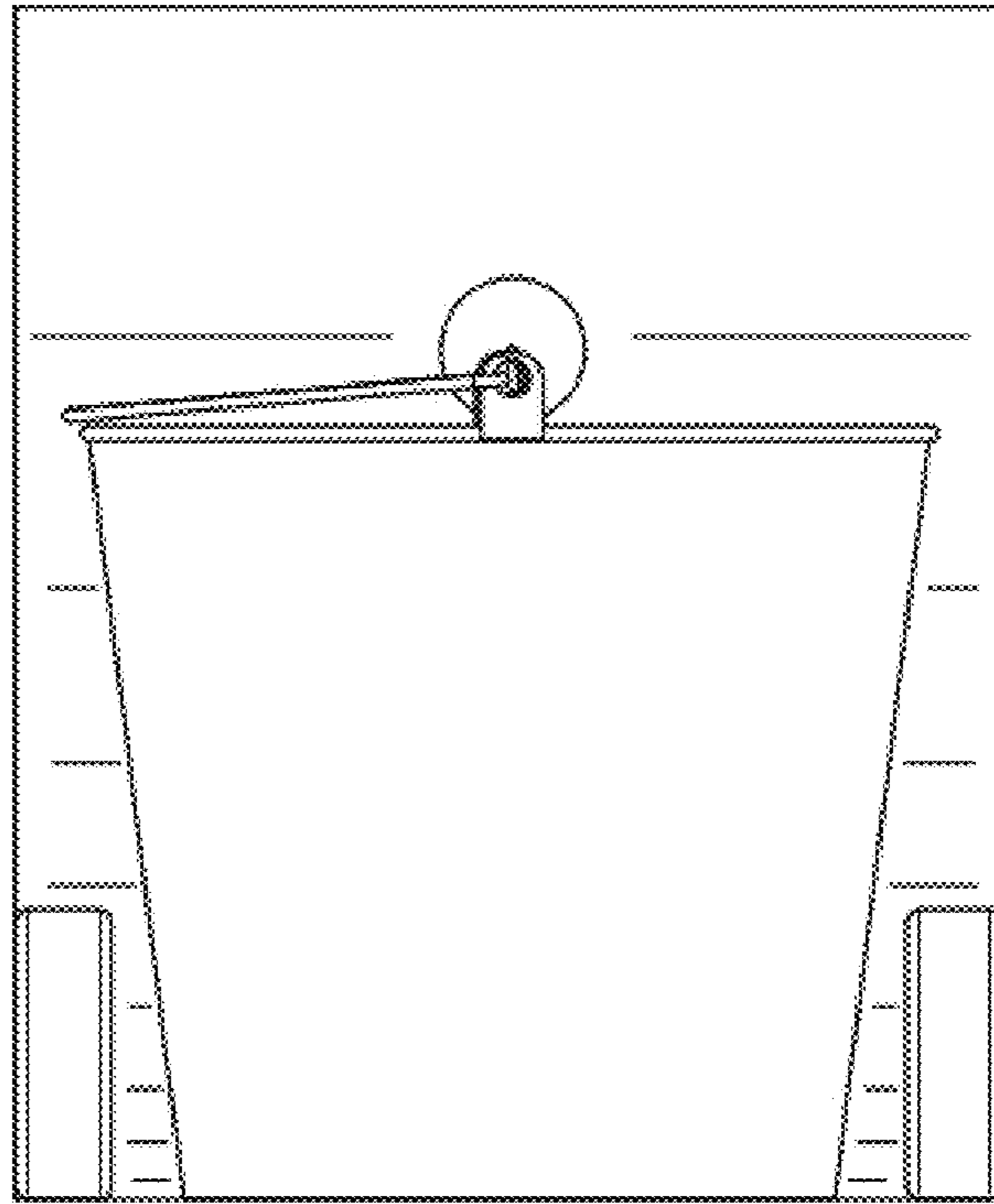


FIG.3

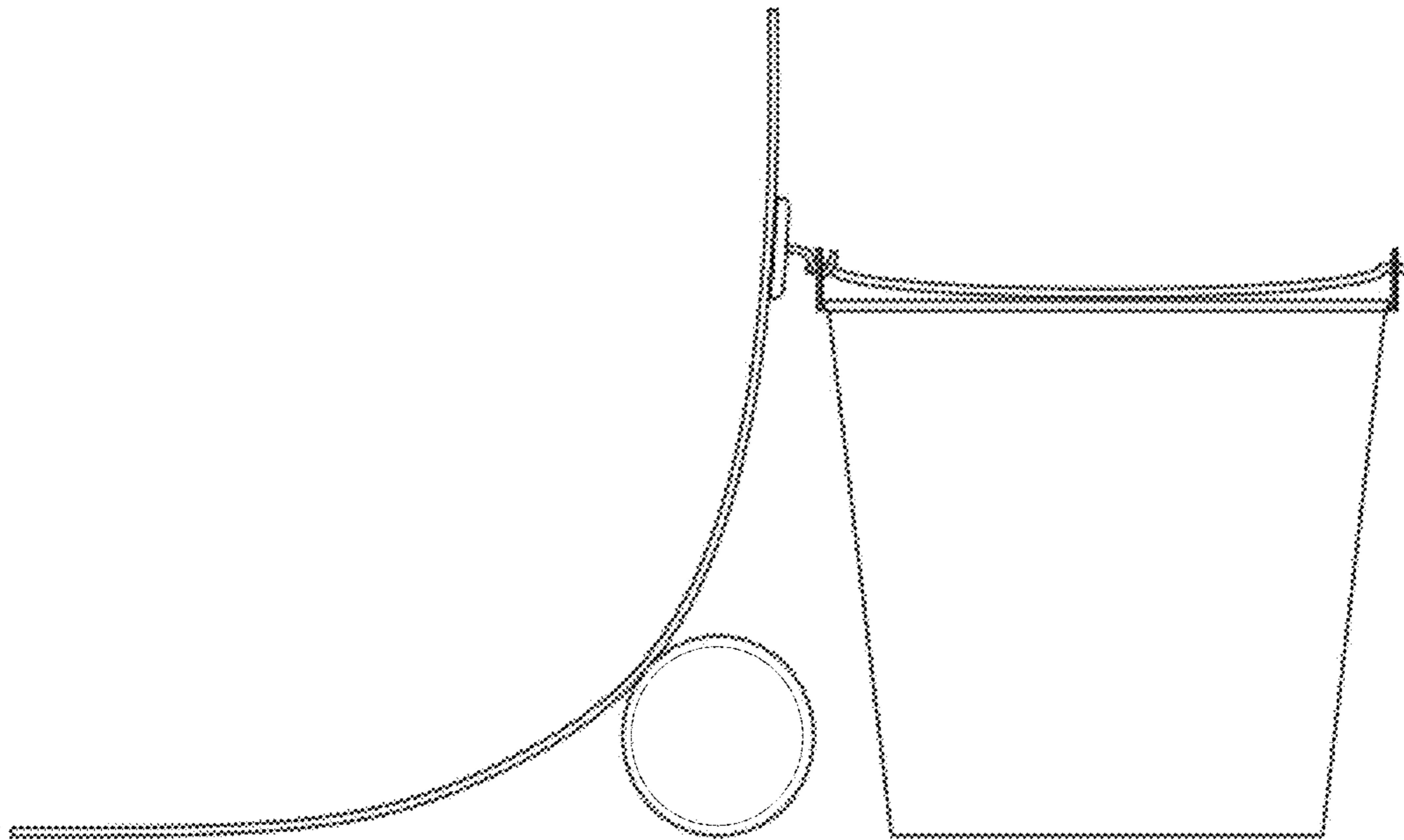


FIG.4

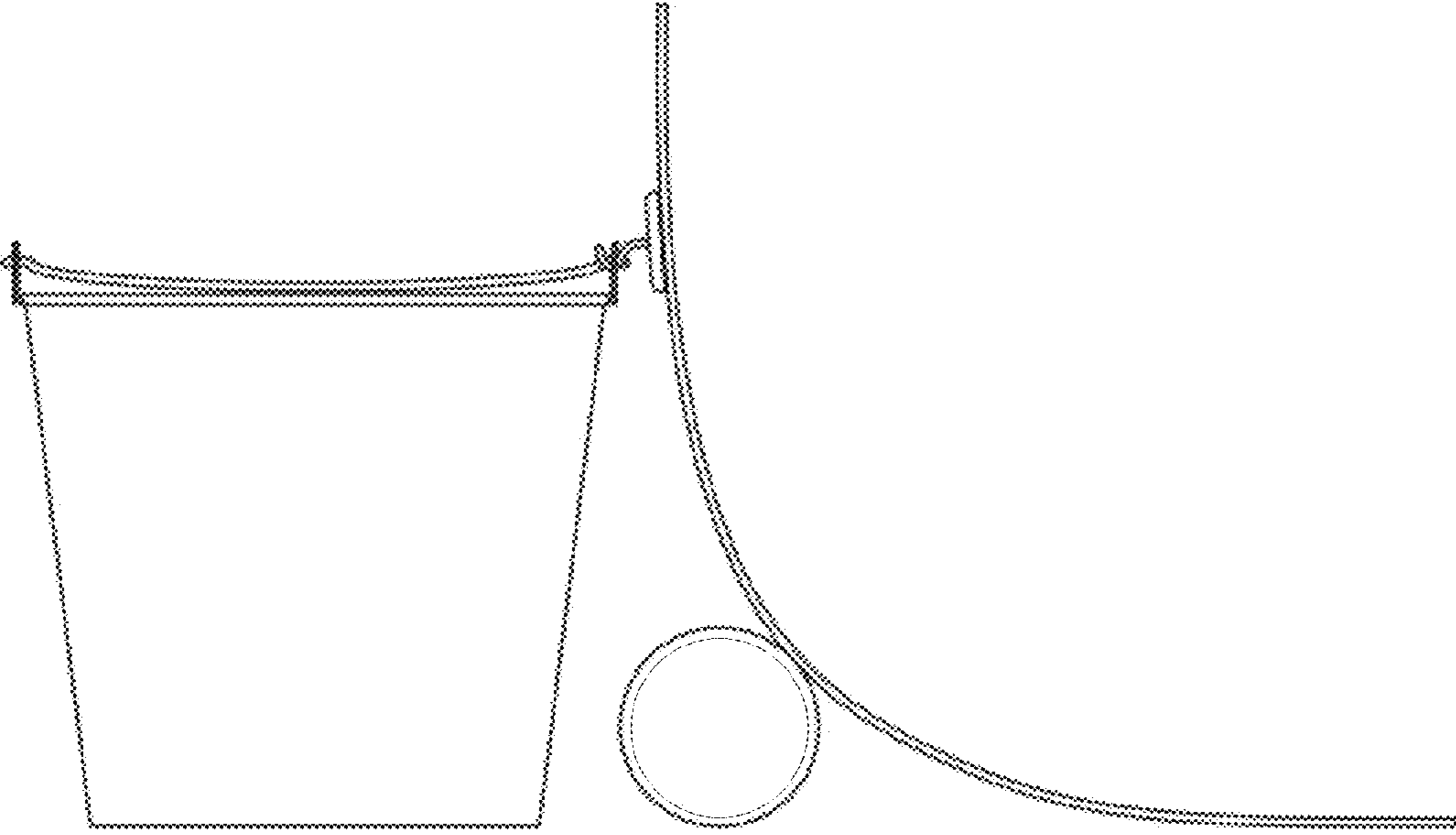


FIG.5

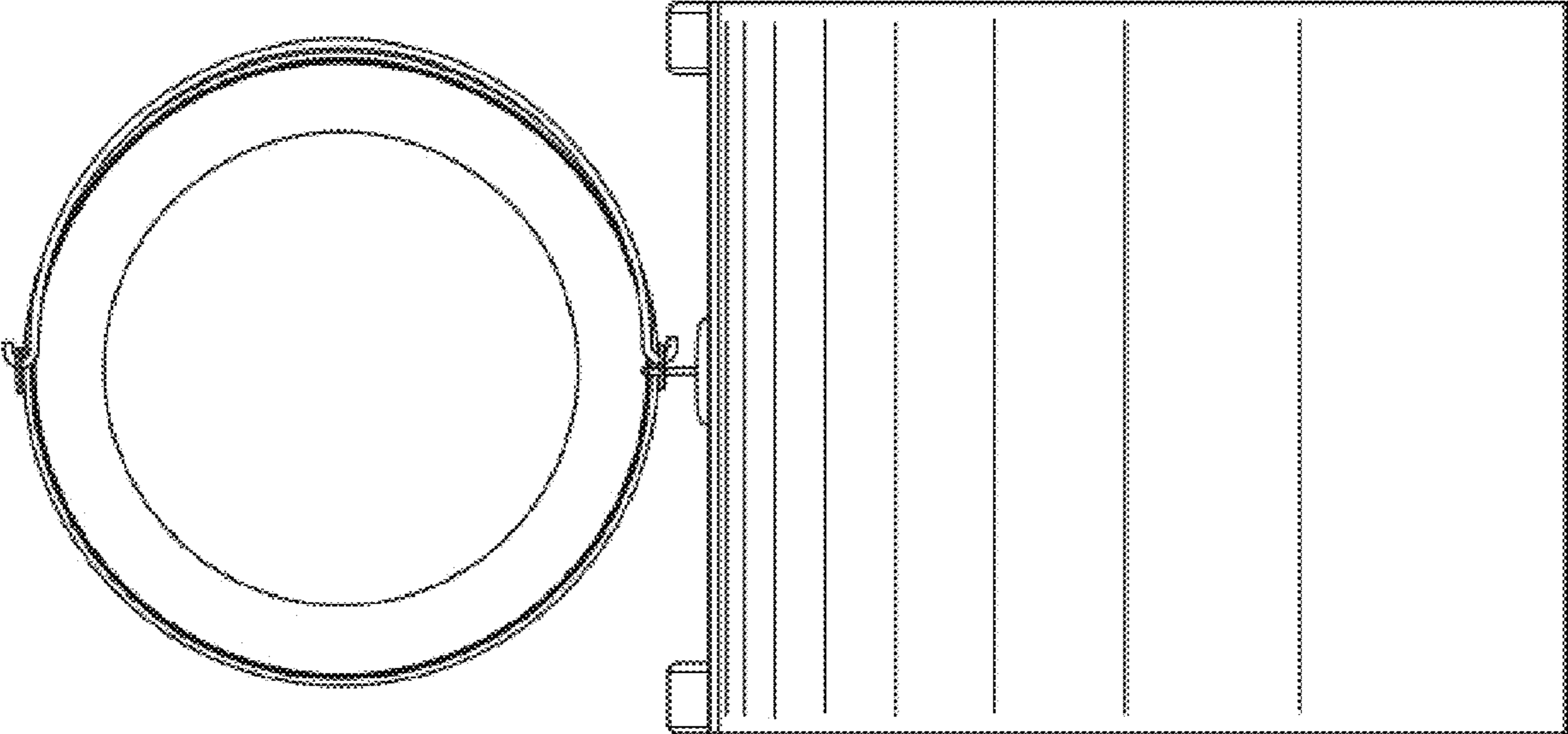


FIG.6

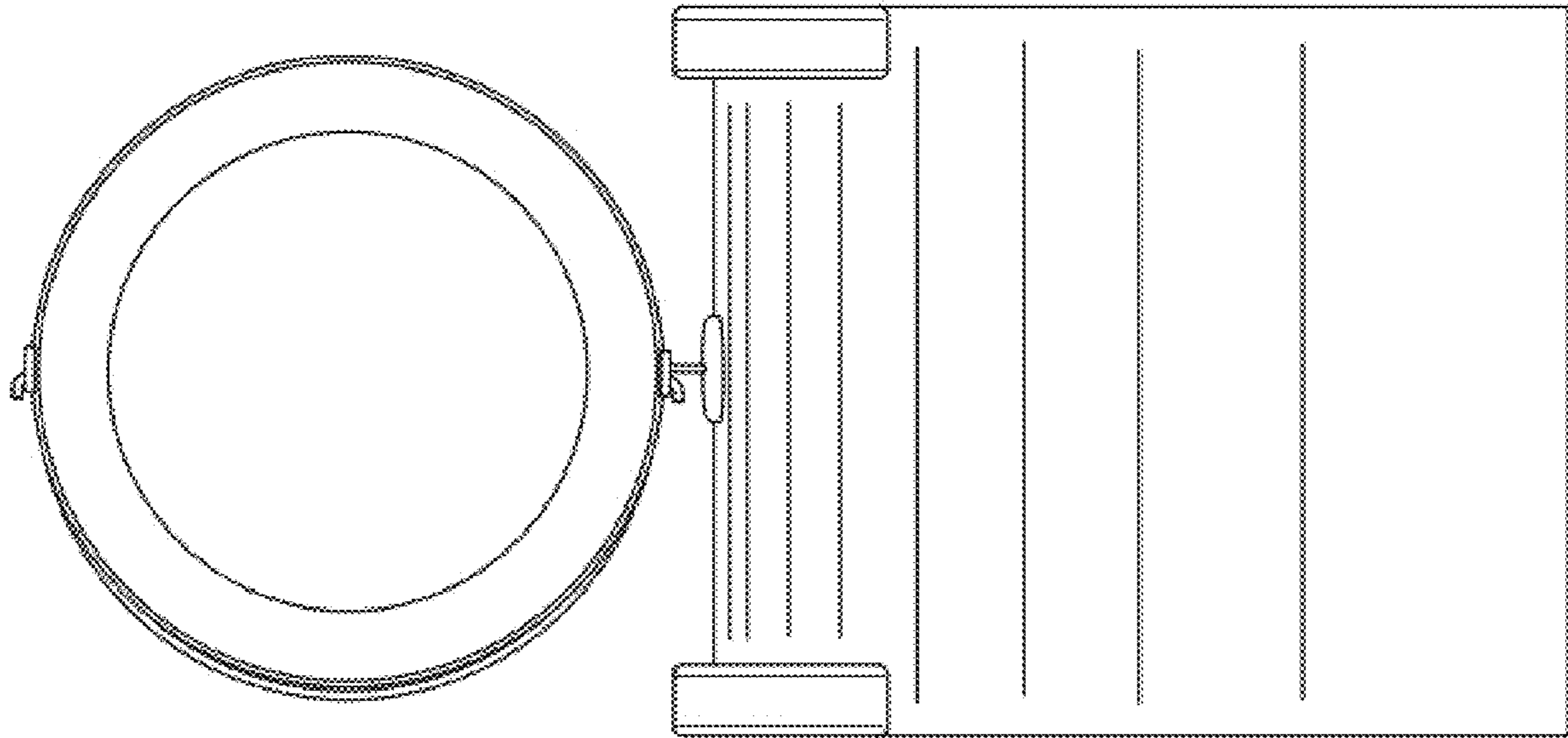


FIG. 7

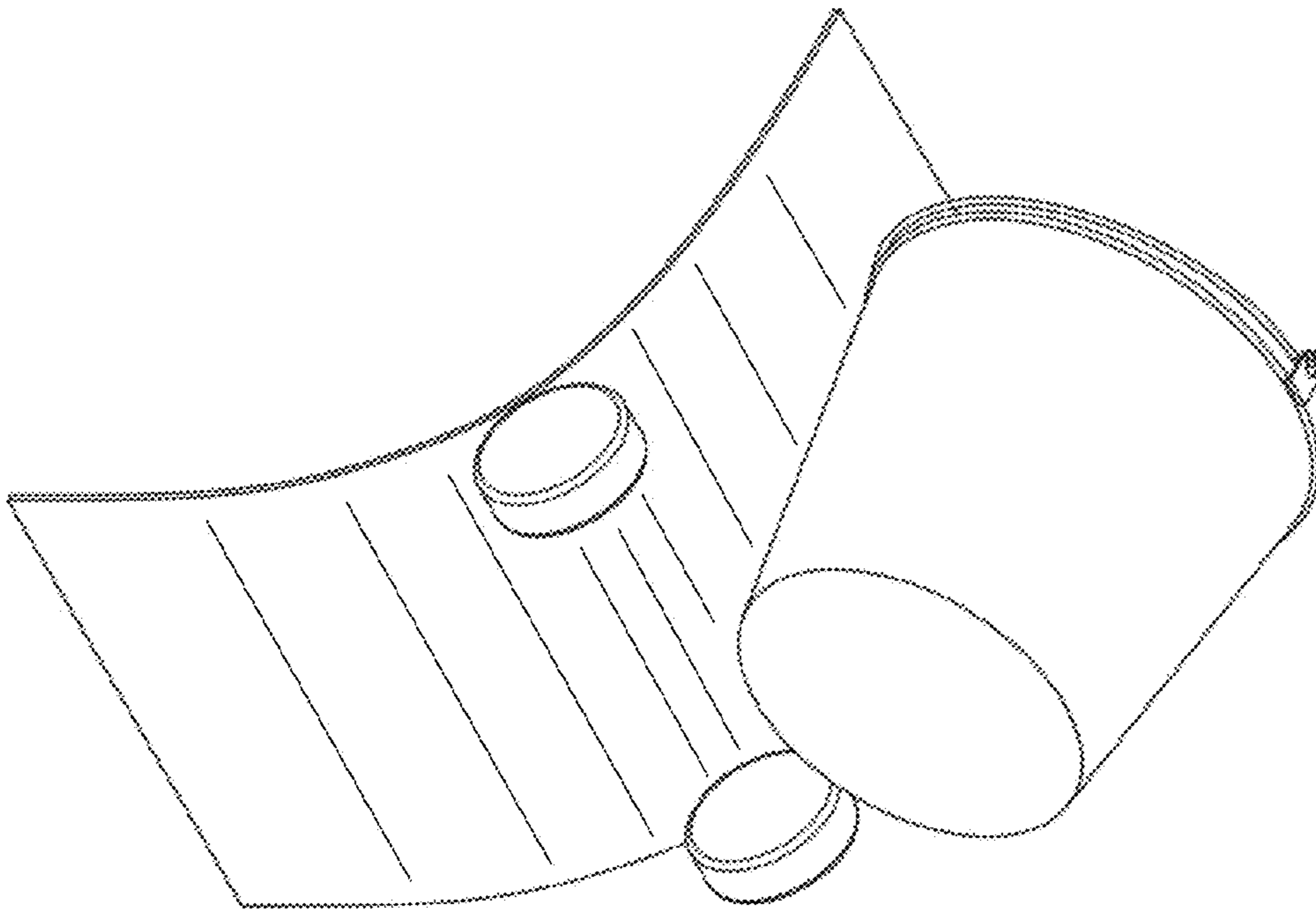


FIG. 8