



US00D874569S

(12) **United States Design Patent** (10) **Patent No.:** **US D874,569 S**
Tumblety et al. (45) **Date of Patent:** **** Feb. 4, 2020**

(54) **HYBRID PAYSTATION**

(71) Applicant: **Crane Payment Innovations, Inc.**,
Malvern, PA (US)

(72) Inventors: **Gareth Edward Tumblety**, Horwich
(GB); **Christopher Robert Marks**,
Philadelphia, PA (US); **Robert Clauser**,
Columbus, NJ (US); **Ryan Harding**
Bimes, Philadelphia, PA (US); **Robert**
James Blythin, Philadelphia, PA (US)

(73) Assignee: **Crane Payment Innovations, Inc.**,
Malvern, PA (US)

(**) Term: **15 Years**

(21) Appl. No.: **29/638,117**

(22) Filed: **Feb. 23, 2018**

(51) **LOC (12) Cl.** **20-01**

(52) **U.S. Cl.**
USPC **D20/1**

(58) **Field of Classification Search**
USPC D20/1-9; D15/79, 81, 89; D99/28
CPC G06Q 20/18; G07F 7/00; G07F 7/025;
G07F 7/08; G07F 7/12; G07F 11/00;
G07F 11/02; G07F 11/62; G07F 11/165;
G07F 7/069; G07F 17/00; G07F 17/40
See application file for complete search history.

(56) **References Cited**

U.S. PATENT DOCUMENTS

D419,277 S * 1/2000 Ishii D99/28
D454,421 S * 3/2002 Jeon D18/3.3
D481,518 S * 10/2003 Magee D99/28
D511,358 S * 11/2005 Forster D20/1
D530,880 S * 10/2006 Magee D99/28
D534,705 S * 1/2007 Kang D99/28

D769,572 S * 10/2016 Park D99/28
D781,024 S * 3/2017 King D99/28
D787,774 S * 5/2017 Shin D99/28
D794,274 S * 8/2017 Mangeot D99/28
D795,523 S * 8/2017 King D99/28
D839,529 S * 1/2019 Nelson D99/28
D847,452 S * 4/2019 Angelopoulos D99/28

OTHER PUBLICATIONS

Paypod Hybrid, posted at Youtube.com, posted on Mar. 6, 2018, site visited Jun. 20, 2019. online, available from internet: <https://www.youtube.com/watch?v=5Hcdi186Sro> (Year: 2018).*

* cited by examiner

Primary Examiner — Mary Ann Calabrese

Assistant Examiner — Catherine Ho

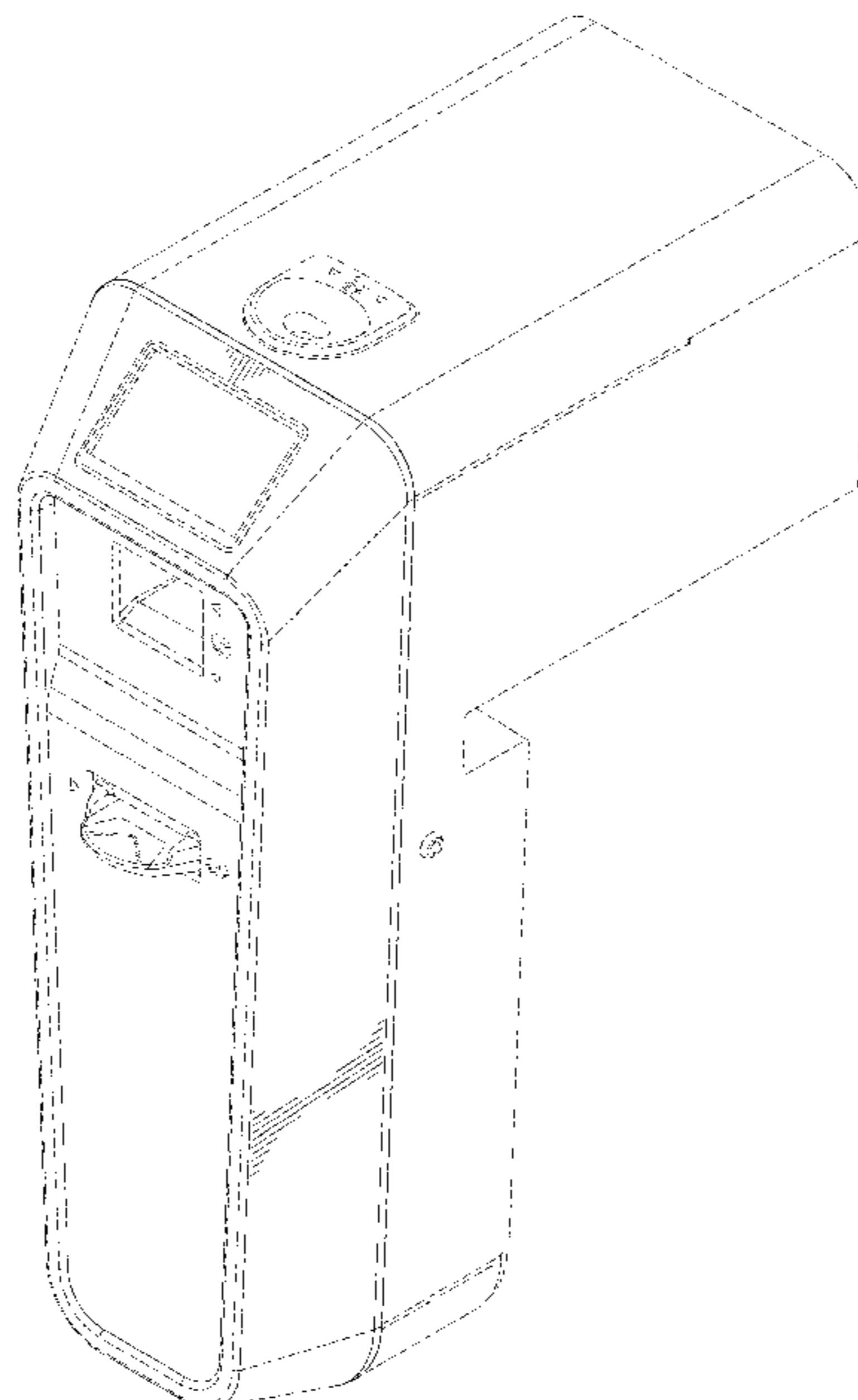
(57) **CLAIM**

The ornamental design for a hybrid paystation, as shown and described.

DESCRIPTION

FIG. 1 is a perspective view of a hybrid paystation showing the new design;
FIG. 2 is a front view thereof;
FIG. 3 is a rear view thereof;
FIG. 4 is a right side view thereof;
FIG. 5 is a left side view thereof;
FIG. 6 is a top view thereof;
FIG. 7 is a bottom view thereof;
FIG. 8 is a front perspective view thereof;
FIG. 9 is a rear perspective view thereof; and,
FIG. 10 is a rear perspective view thereof.
The broken lines present in the drawings are included for the purpose of illustrating portions of the article which form no part of the claimed design.

1 Claim, 10 Drawing Sheets



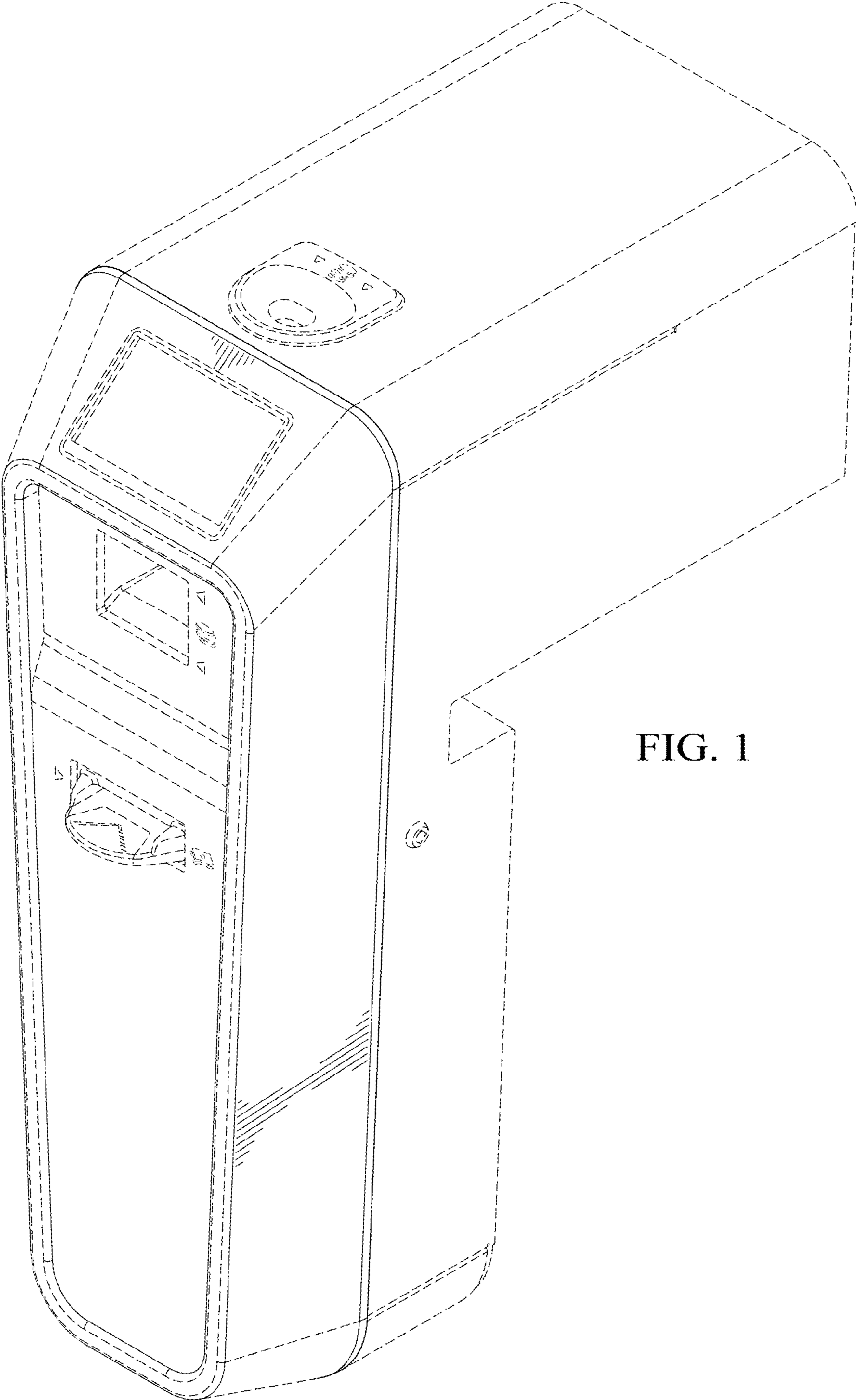


FIG. 1

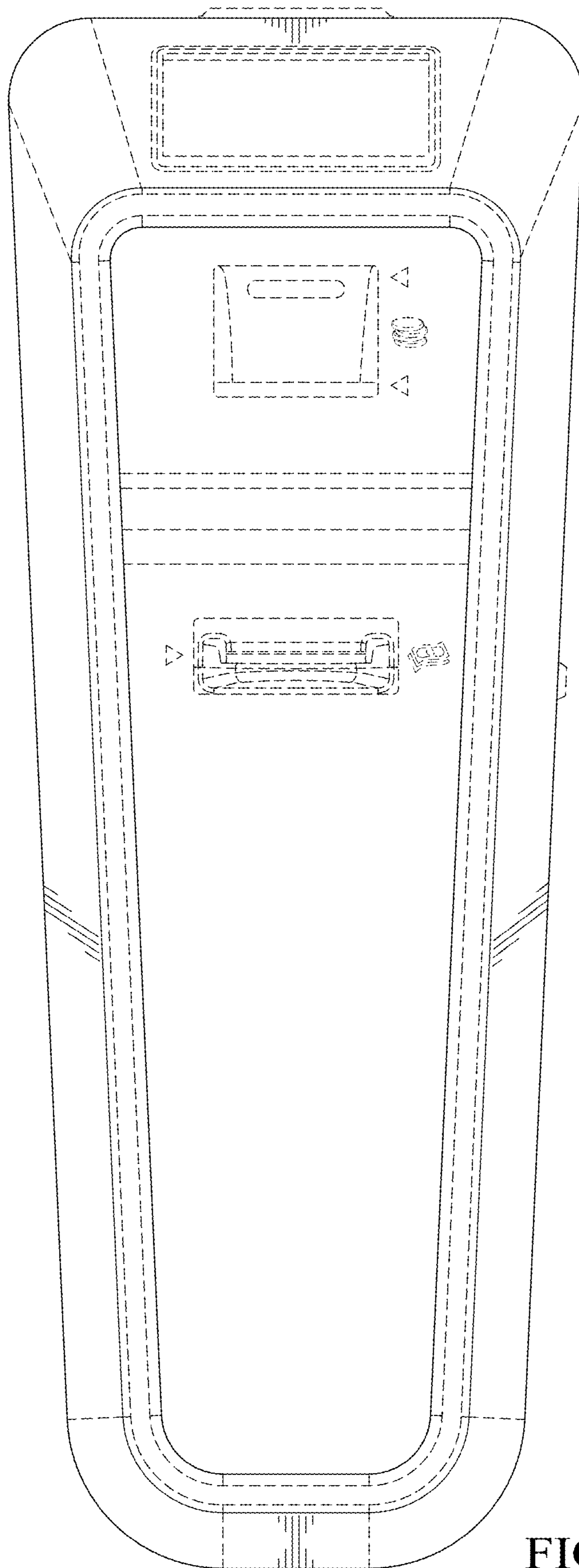


FIG. 2

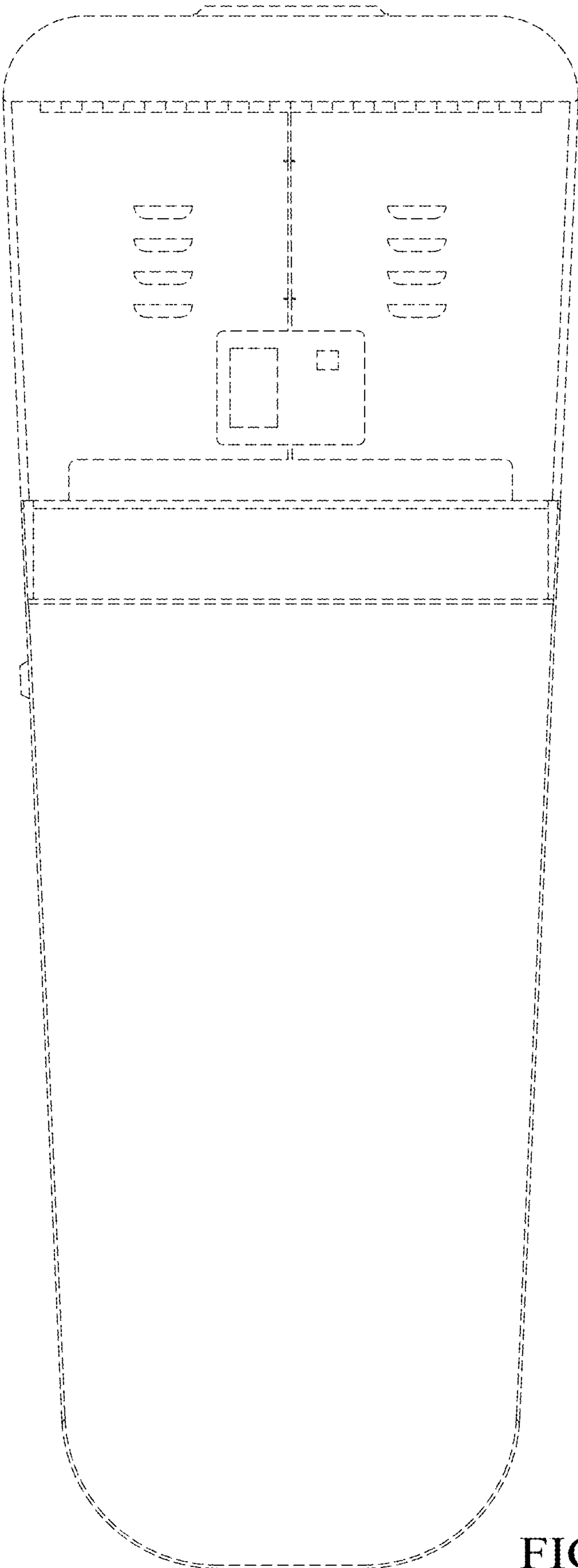


FIG. 3

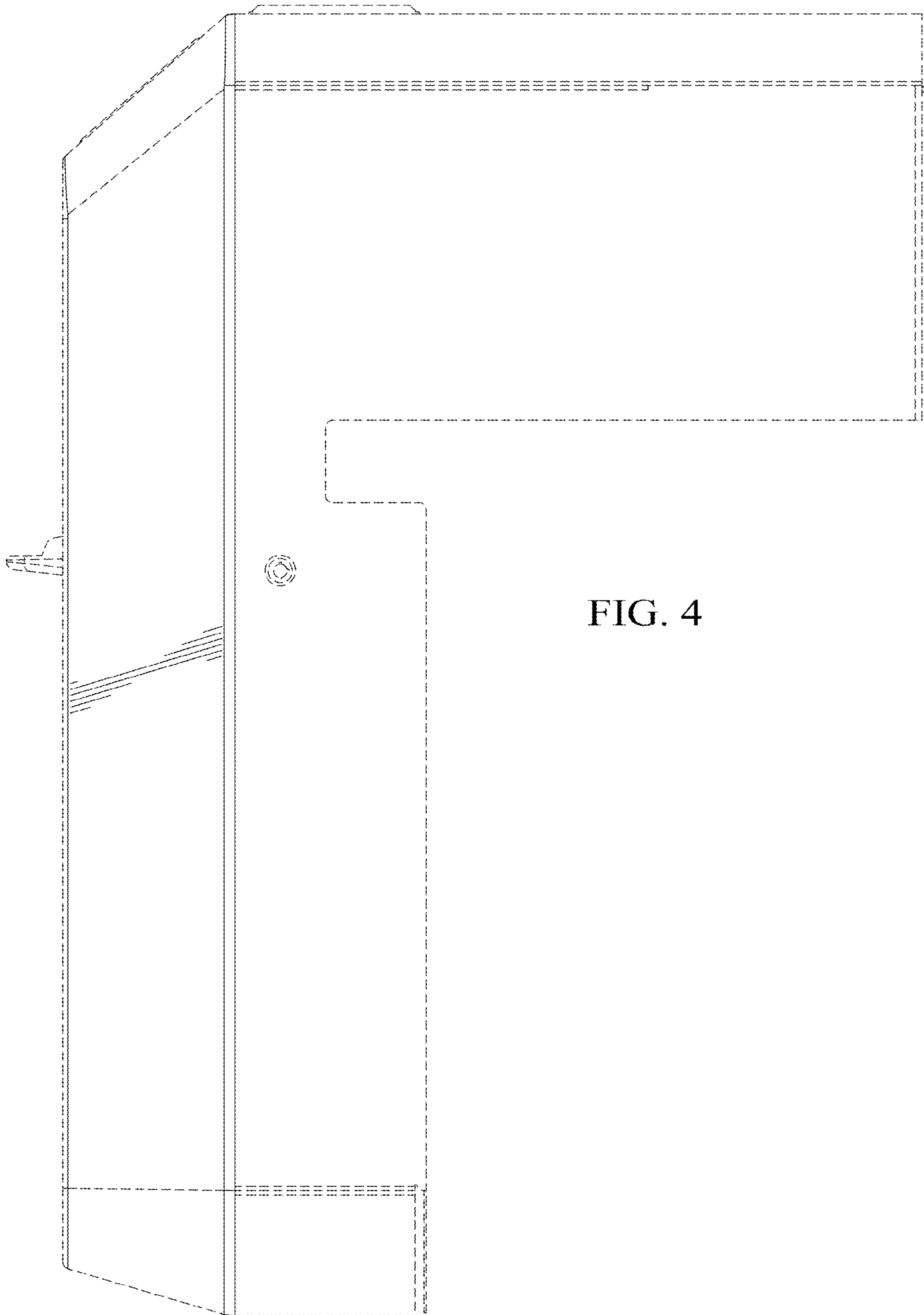


FIG. 4

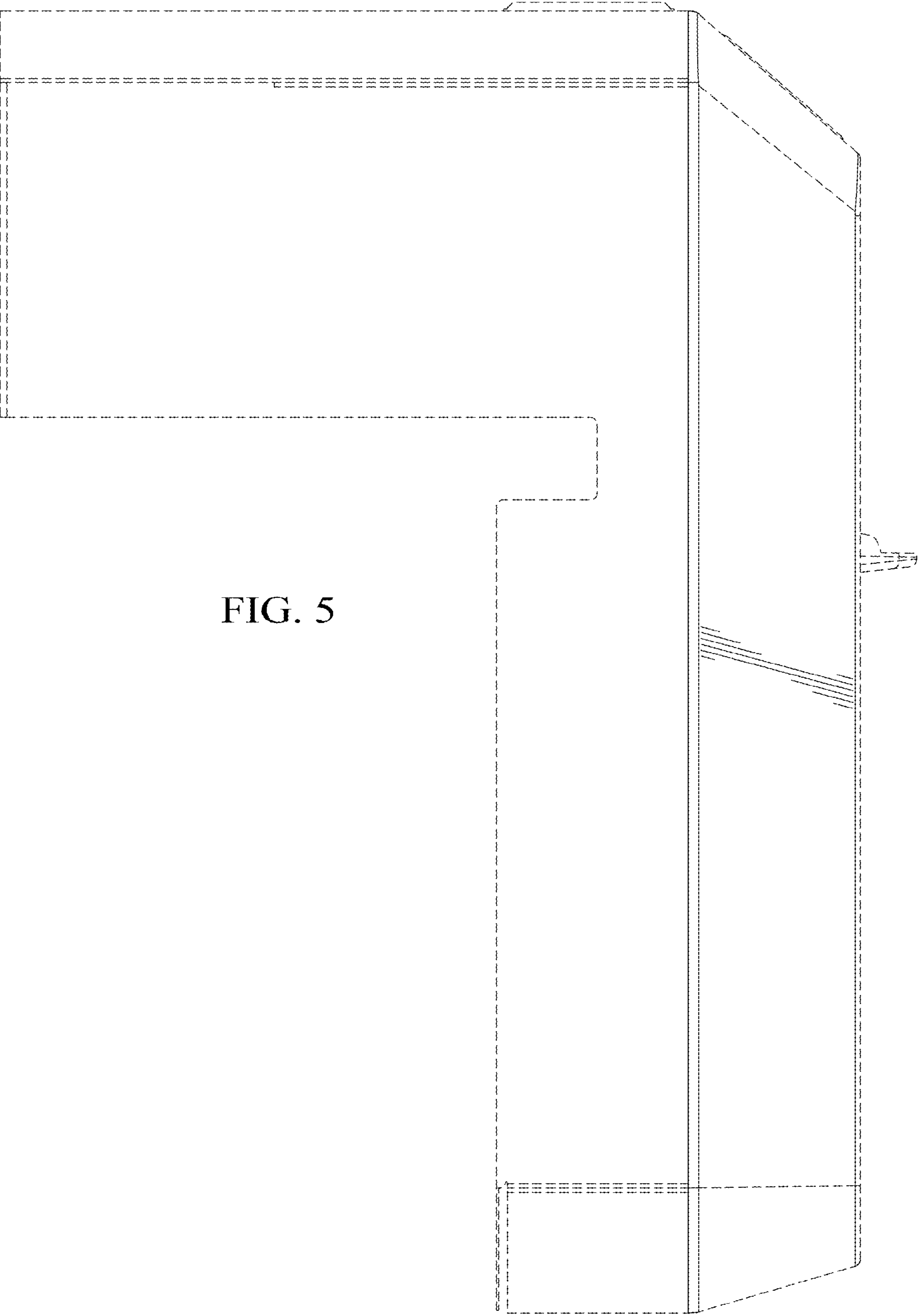


FIG. 5

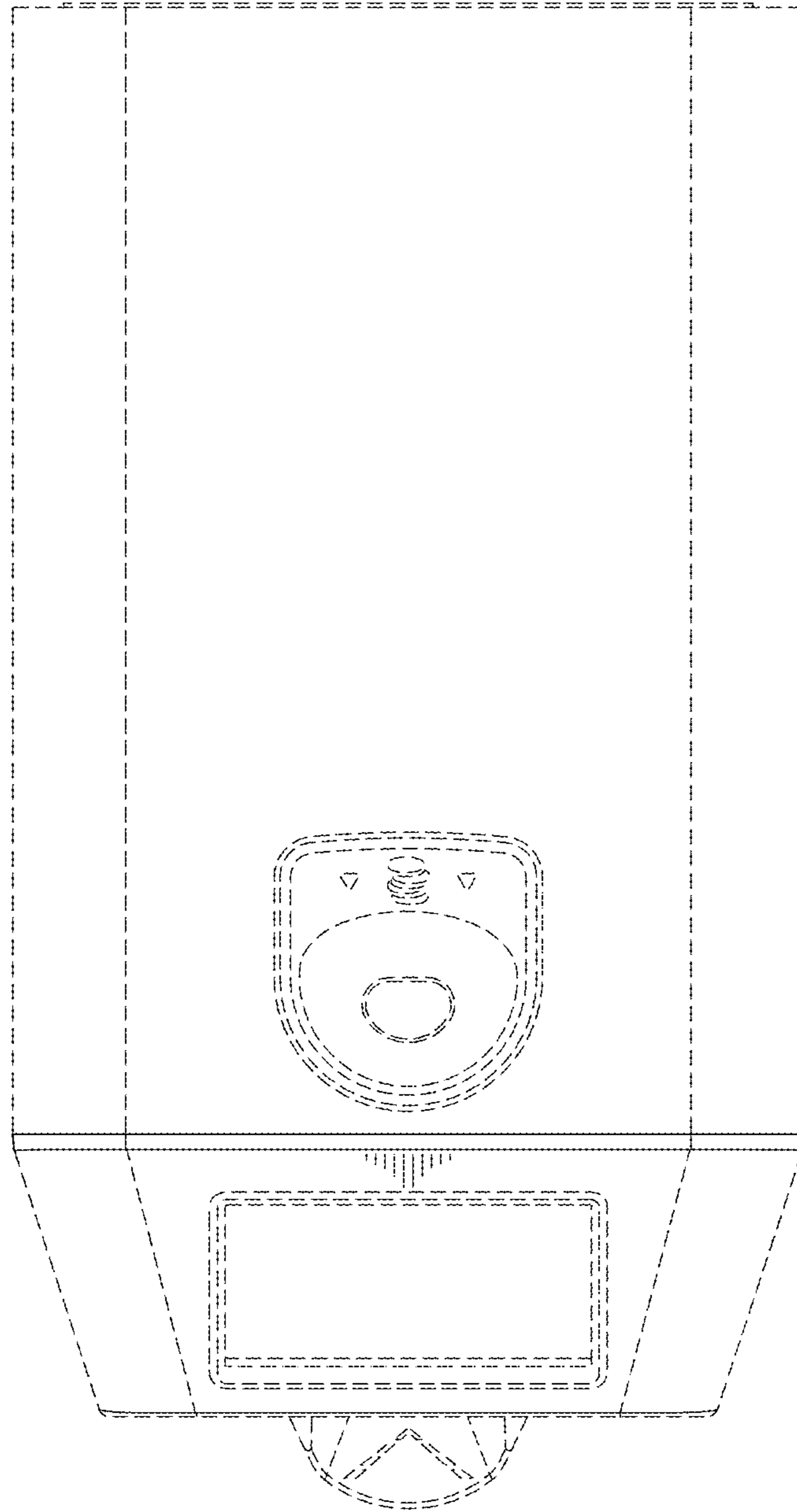


FIG. 6

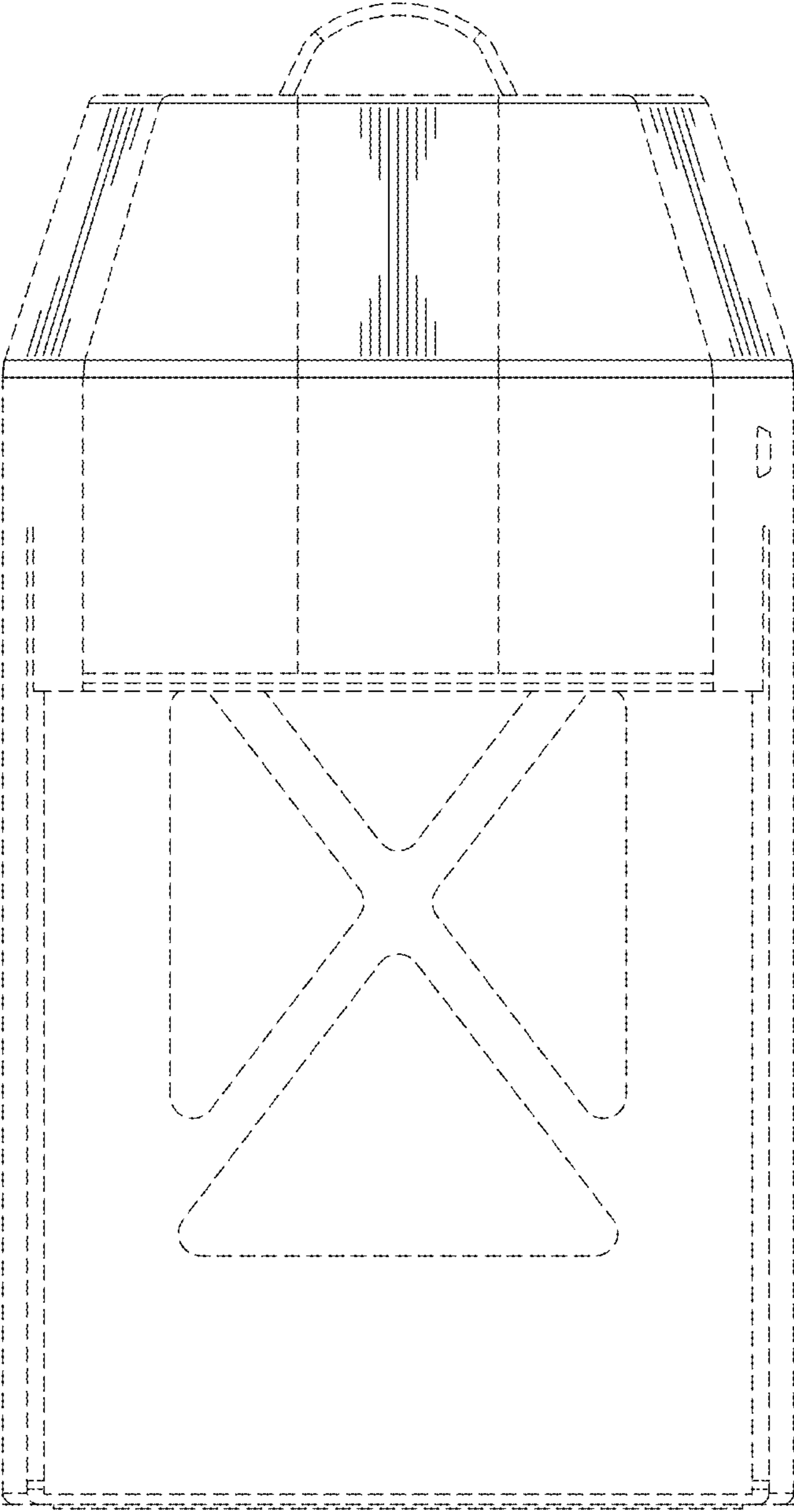


FIG. 7

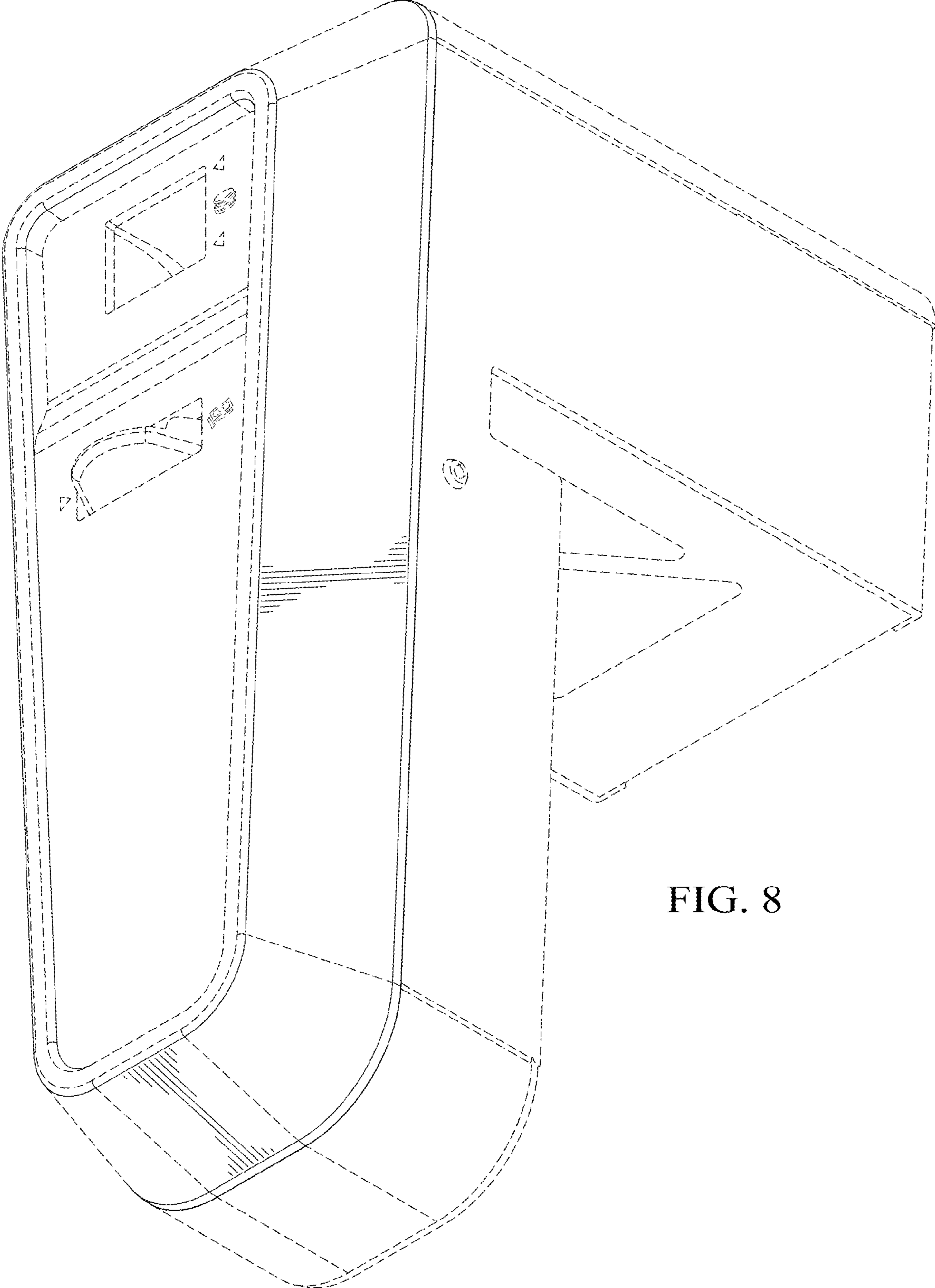


FIG. 8

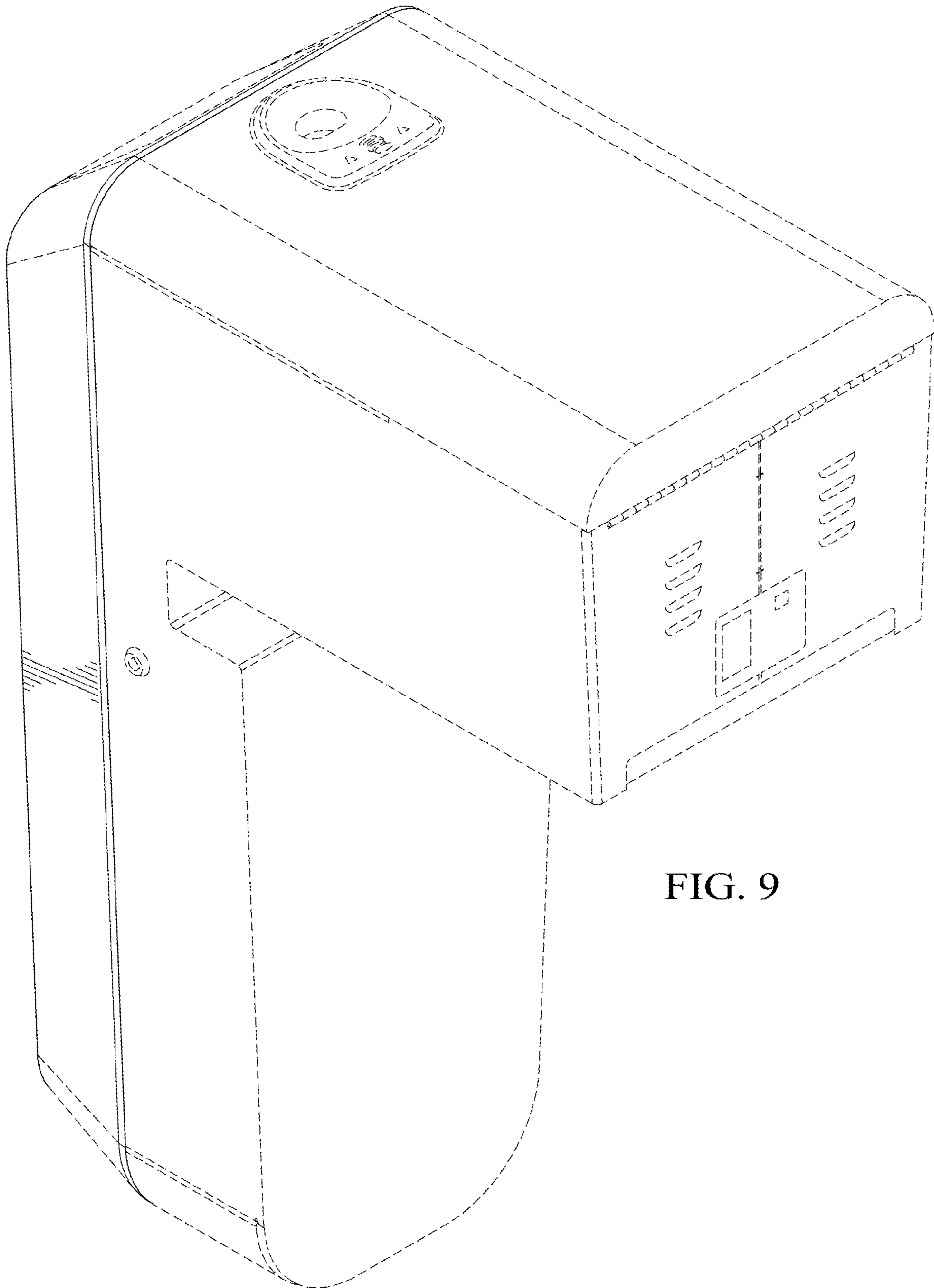


FIG. 9

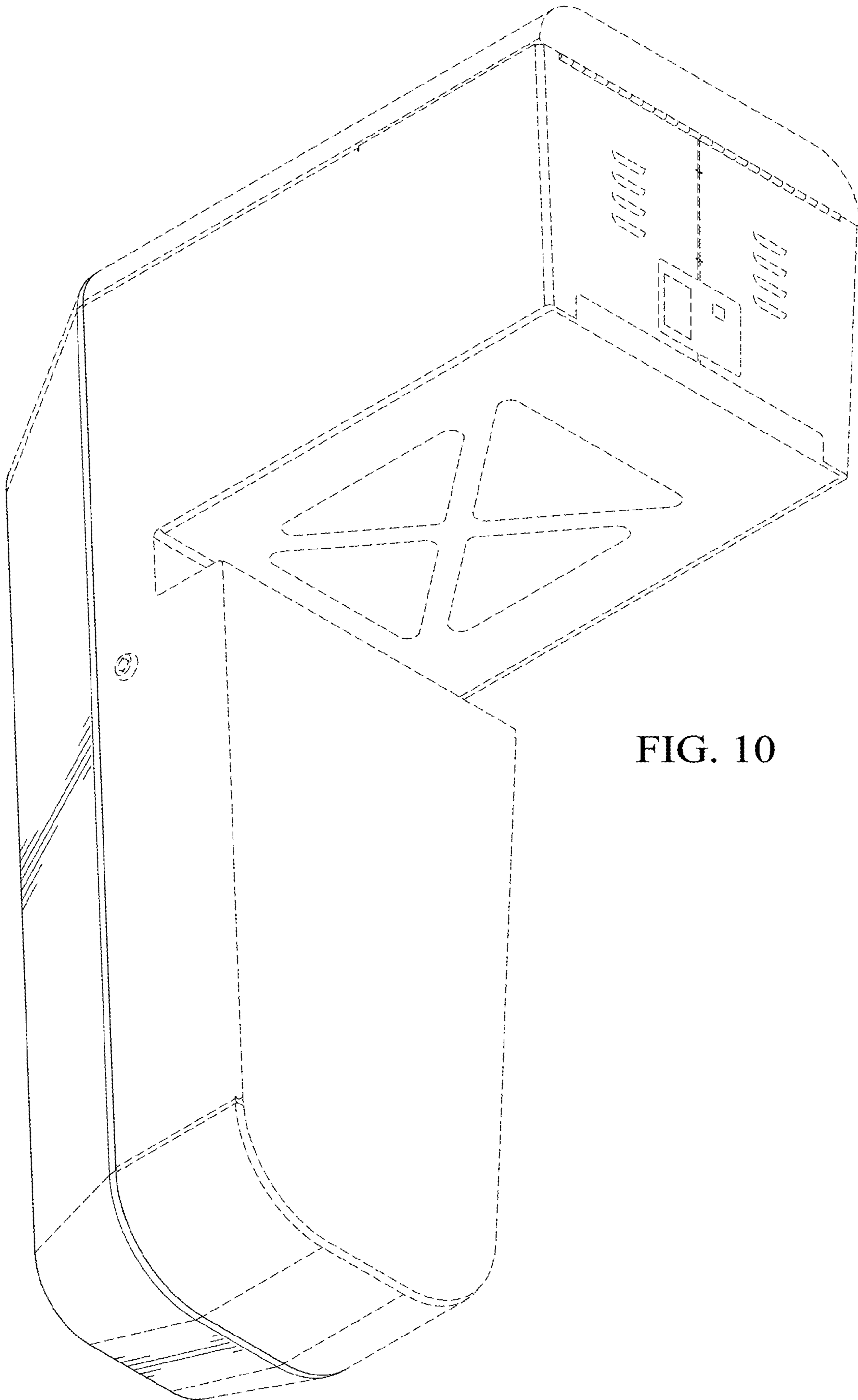


FIG. 10