



US00D874567S

(12) **United States Design Patent** (10) **Patent No.:** **US D874,567 S**
Wang (45) **Date of Patent:** **** Feb. 4, 2020**

(54) **CRAFT MACHINE COVER**
(71) Applicant: **Jiben Wang**, Xiamen (CN)
(72) Inventor: **Jiben Wang**, Xiamen (CN)
(**) Term: **15 Years**
(21) Appl. No.: **29/686,888**
(22) Filed: **Apr. 9, 2019**
(51) **LOC (12) Cl.** **19-06**
(52) **U.S. Cl.**
USPC **D19/108**; D3/290
(58) **Field of Classification Search**
USPC D3/201, 269, 273, 290, 299; D6/595,
D6/610, 616; D9/702, 432; D15/66-72;
D19/101-108, 111
CPC D05B 73/00; D05B 77/00
See application file for complete search history.

D542,131 S * 5/2007 Egawa D9/432
D556,471 S * 12/2007 Smith D3/273
D701,401 S * 3/2014 Wagner D6/610
D708,514 S * 7/2014 Kiamilev D9/432
D724,664 S * 3/2015 French D19/75
D729,519 S * 5/2015 Clough D3/279
D733,432 S * 7/2015 Johnson D3/318
D768,989 S * 10/2016 Johnson D3/319
D770,275 S * 11/2016 Hainaut D9/432
D788,580 S * 6/2017 Hainaut D9/432
D798,704 S * 10/2017 Hainaut D9/418
D838,978 S * 1/2019 Lee D3/273

(56) **References Cited**
U.S. PATENT DOCUMENTS
D195,430 S * 6/1963 Mapes D9/600
3,407,079 A * 10/1968 Griffith B65D 85/62
426/124
3,723,692 A * 3/1973 Wilbrecht H01H 13/06
200/302.1
D232,320 S * 8/1974 Bledsoe D15/66
D296,699 S 7/1988 Baruffa
4,821,882 A * 4/1989 Messina G11B 23/0236
206/387.15
D304,271 S 10/1989 Johnson
D343,640 S * 1/1994 Thies D19/108
D389,818 S 1/1998 Smith
D402,458 S * 12/1998 Brooks D3/201
D420,510 S * 2/2000 Rotan D3/201
D479,685 S * 9/2003 Zanchetta D9/433
D490,609 S * 6/2004 Zimmerman D3/273
D495,952 S * 9/2004 Miller D9/418
D517,318 S * 3/2006 Ruybal D3/273
D539,587 S * 4/2007 Bonal D6/610

OTHER PUBLICATIONS

Homest Dust Cover with Back Pockets Compatible with Cricut Explore Air 2, Cricut Maker, Cricut Explore Air, Dark Grey (Patented Design), by HOMEST, 167 ratings, Die Cutting Machine Dust Cover, ASIN: B07PF292ZD, on Amazon.com, 5 pages, earliest reviews: Mar. 26, 2019 and Mar. 30, 2019.*

* cited by examiner

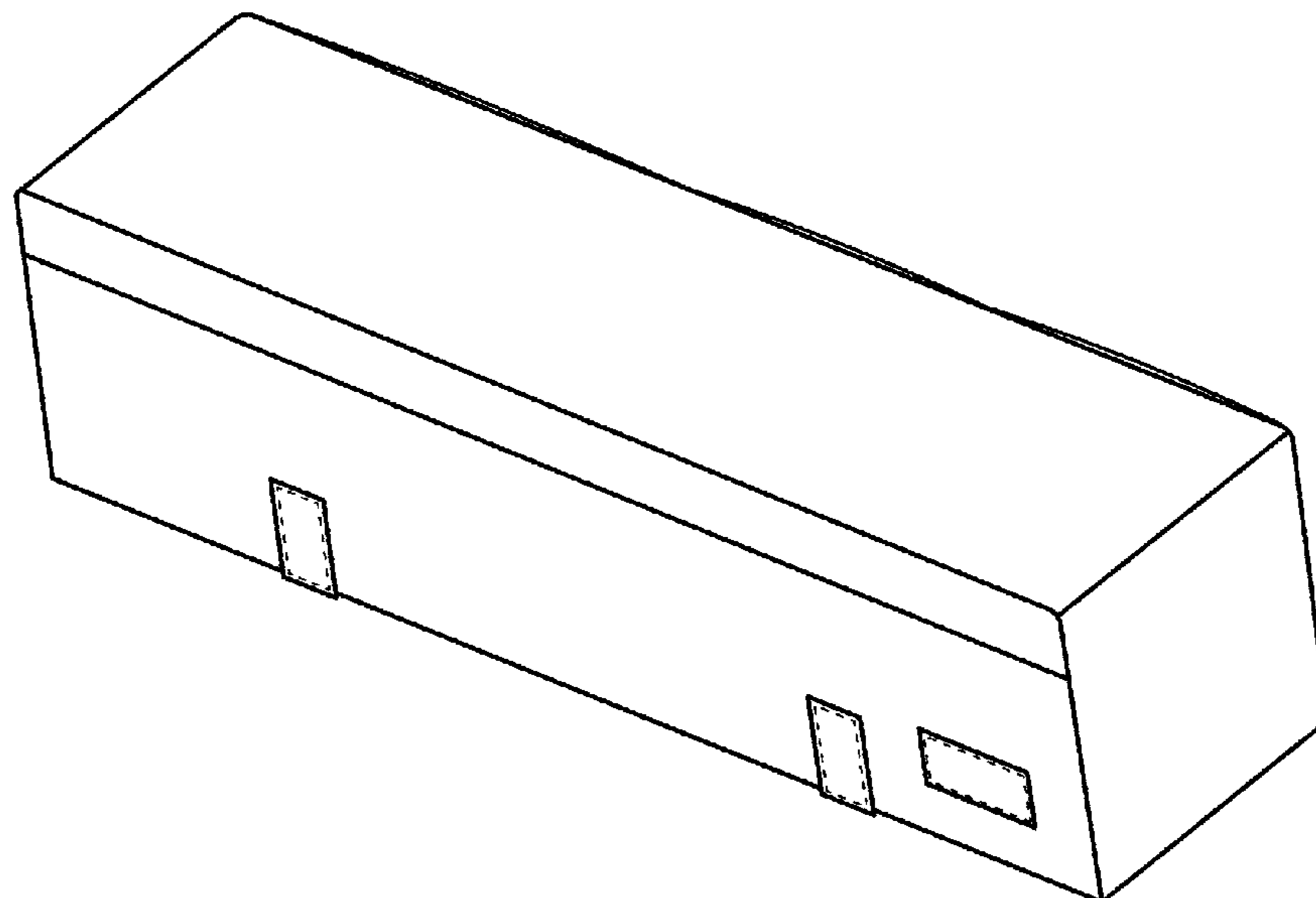
Primary Examiner — Elizabeth A. Albert

(57) **CLAIM**
I claim the ornamental design for a craft machine cover, as shown and described.

DESCRIPTION

FIG. 1 is a front perspective view of a craft machine cover showing my new design;
FIG. 2 is a front view thereof;
FIG. 3 is a back view thereof;
FIG. 4 is a top view thereof;
FIG. 5 is a bottom view thereof;
FIG. 6 is a left side view thereof; and,
FIG. 7 is a right side view thereof.
The broken lines in the drawings represent stitching and are intended to form part of the claimed design.

1 Claim, 7 Drawing Sheets



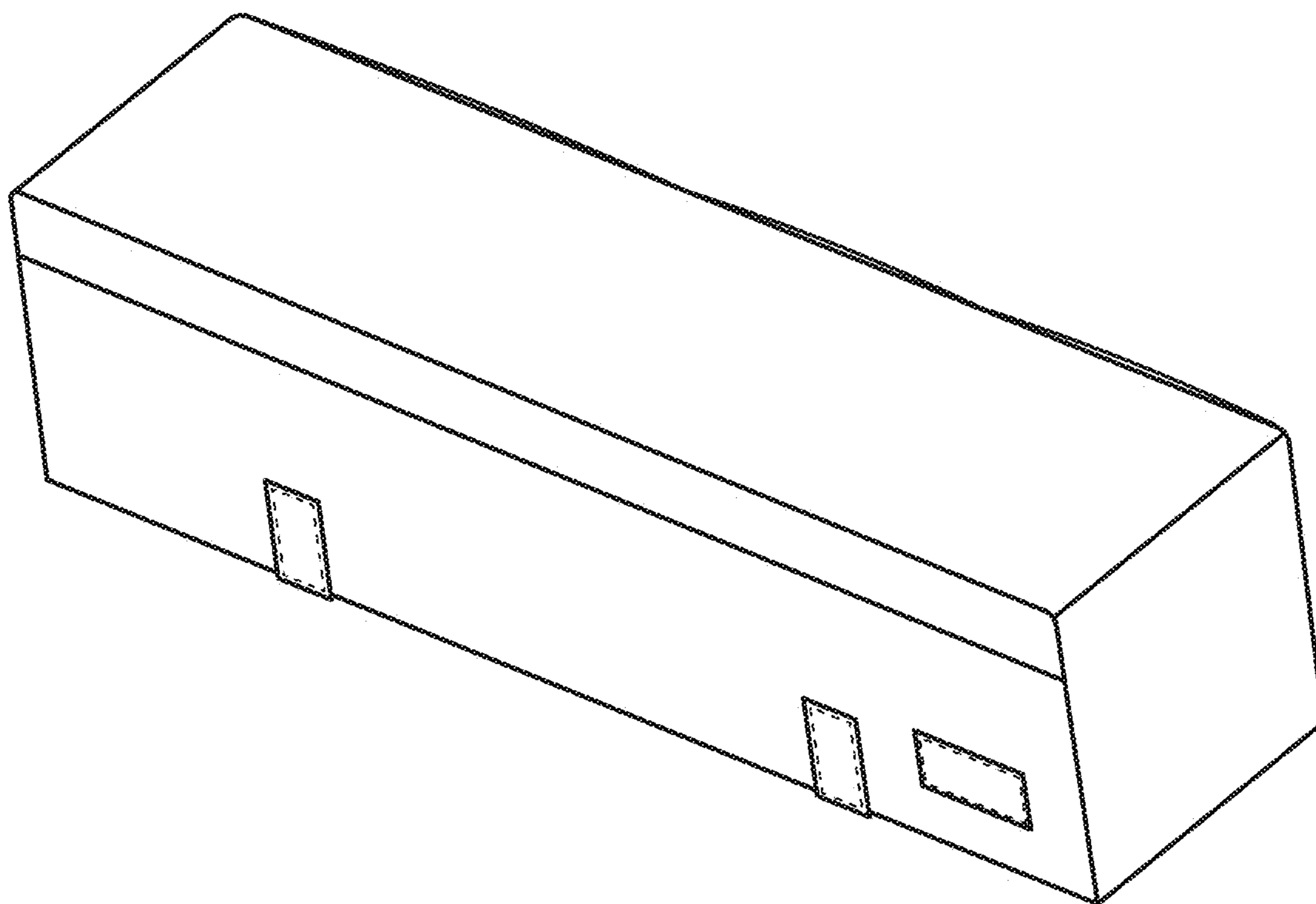


FIG. 1

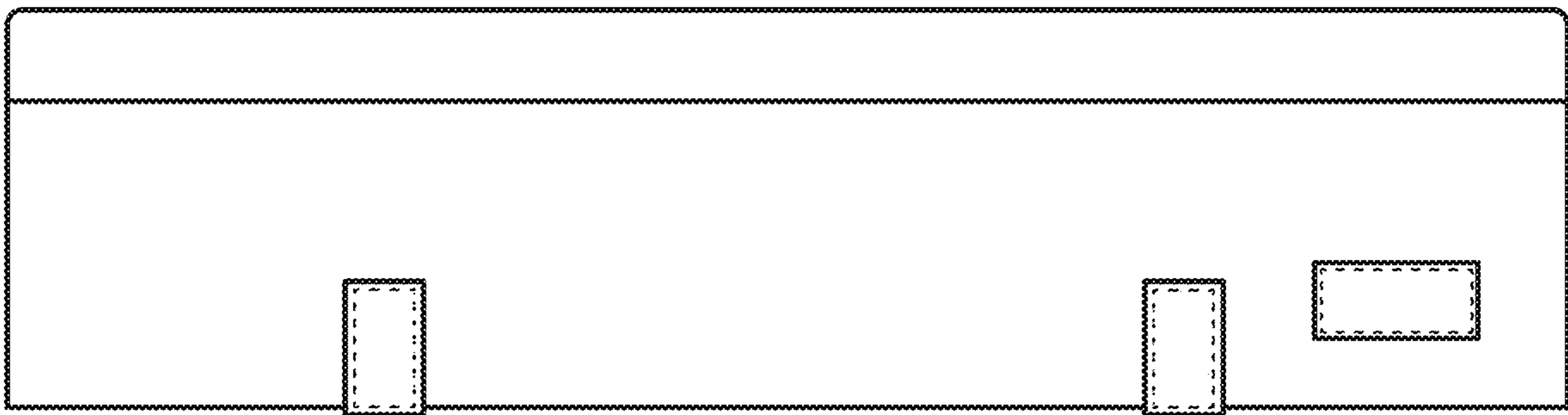


FIG. 2

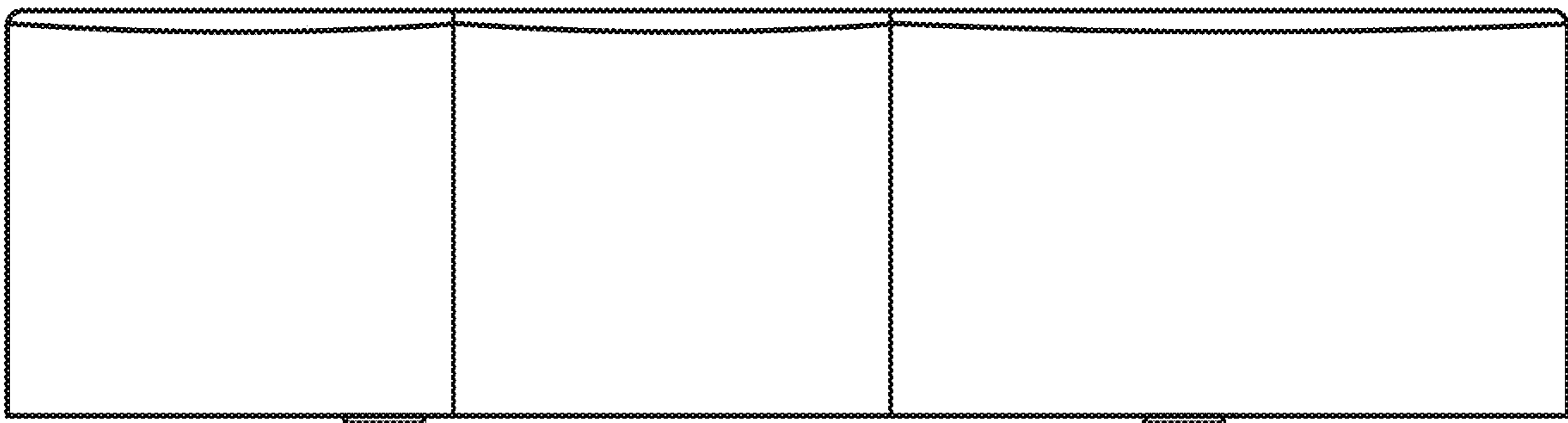


FIG. 3

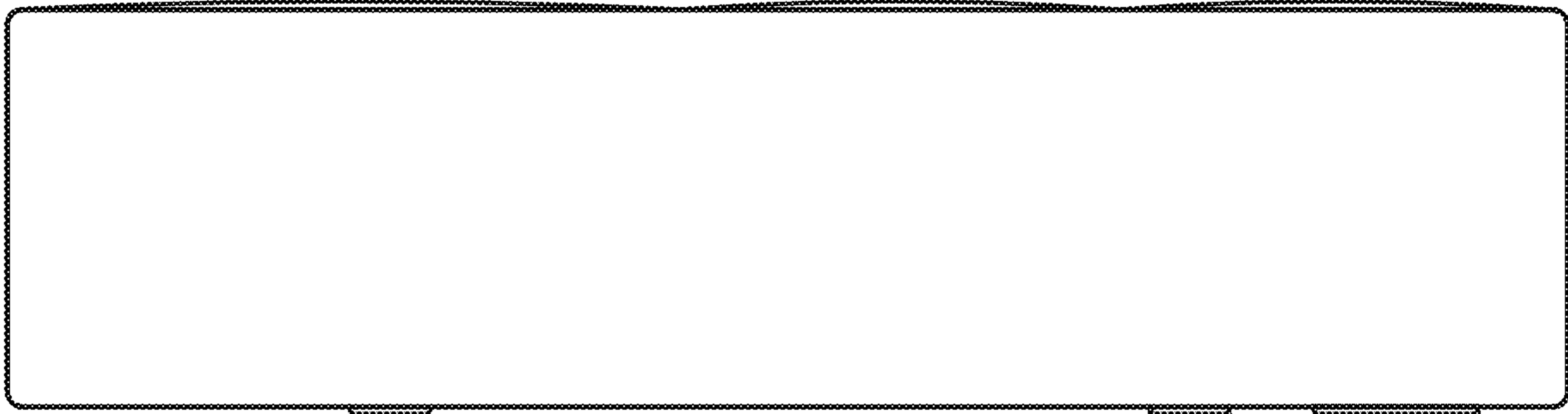


FIG. 4



FIG. 5

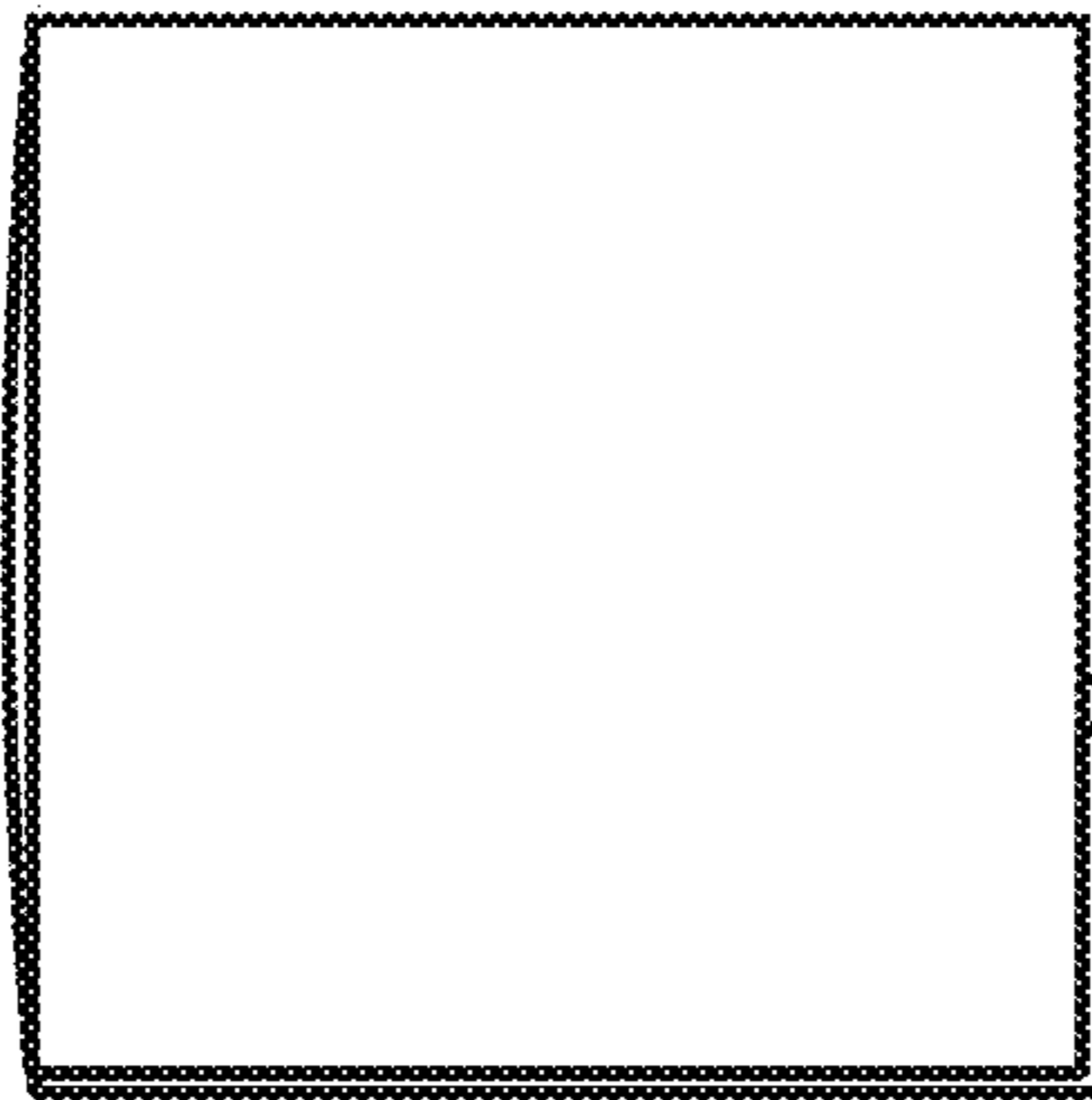


FIG. 6

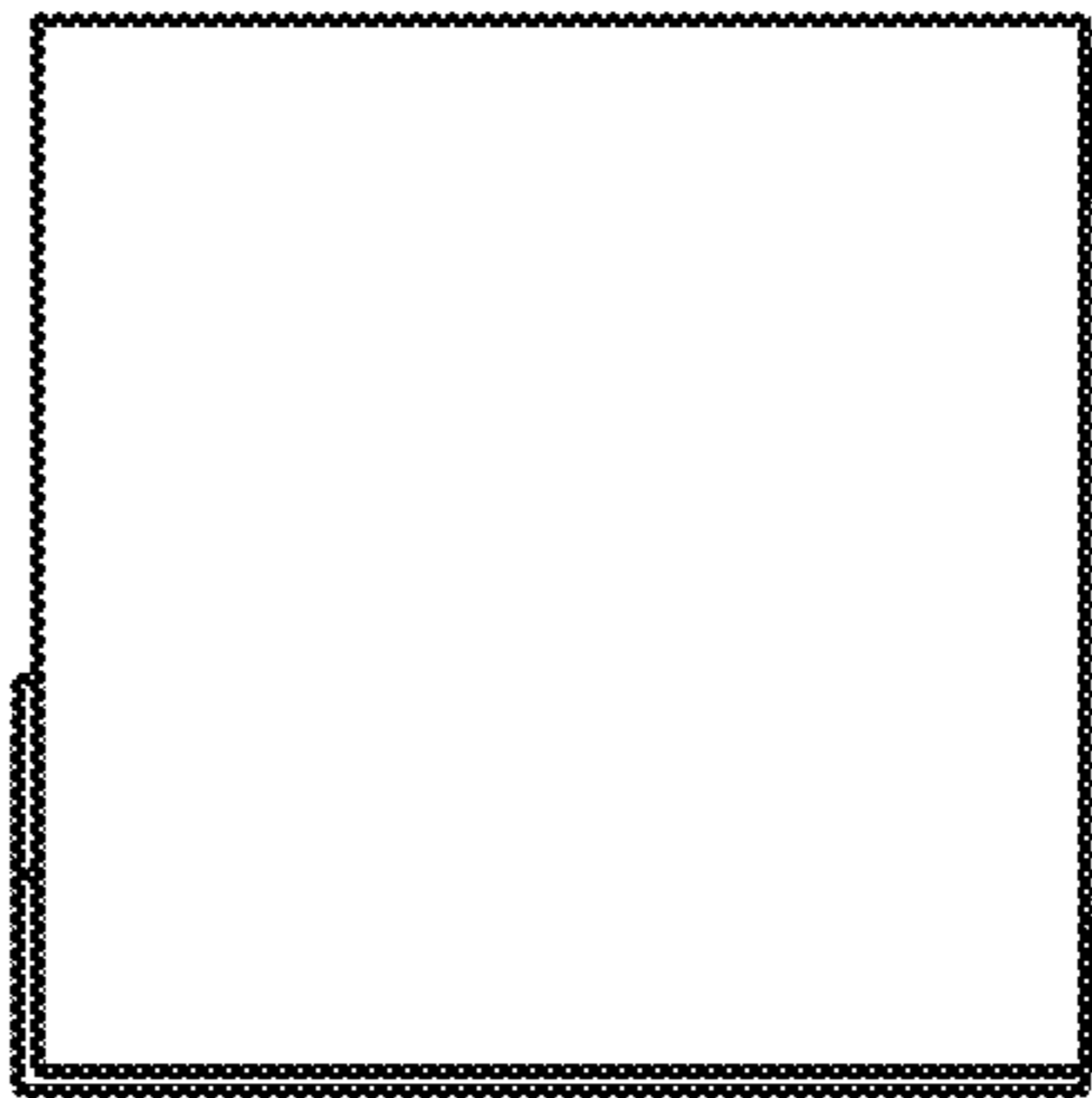


FIG. 7