



US00D874565S

(12) **United States Design Patent** (10) **Patent No.:** **US D874,565 S**  
**Saito et al.** (45) **Date of Patent:** **\*\* Feb. 4, 2020**

(54) **TONER CARTRIDGE**

FOREIGN PATENT DOCUMENTS

(71) Applicant: **OKI DATA CORPORATION**, Tokyo (JP)

CN 304314684 10/2017  
KR 3009357980001 12/2017  
WO D089383-005 7/2016

(72) Inventors: **Hisatoshi Saito**, Tokyo (JP); **Masayuki Suzuki**, Tokyo (JP); **Mitsuhiro Kawata**, Tokyo (JP); **Junichi Ito**, Tokyo (JP)

OTHER PUBLICATIONS

Amazon.com. Link: [https://www.amazon.com/Office-World-Compatible-Cartridge-Replacement/dp/B01LWLG44Z/ref=pd\\_sim\\_229\\_11?encoding=UTF8&pd\\_rd\\_i=B01LW%E2%80%A6](https://www.amazon.com/Office-World-Compatible-Cartridge-Replacement/dp/B01LWLG44Z/ref=pd_sim_229_11?encoding=UTF8&pd_rd_i=B01LW%E2%80%A6). Sep. 20, 2016. Office World Compatible Toner Cartridge Replacement for HP. (Year: 2016).\*

(73) Assignee: **OKI DATA CORPORATION**, Tokyo (JP)

(\*\*) Term: **15 Years**

(Continued)

(21) Appl. No.: **29/664,962**

*Primary Examiner* — Susan Bennett Hattan

*Assistant Examiner* — Lauren D McVey

(22) Filed: **Sep. 28, 2018**

(74) *Attorney, Agent, or Firm* — Ladas & Parry LLP

**Related U.S. Application Data**

(62) Division of application No. 29/599,657, filed on Apr. 5, 2017.

(57) **CLAIM**

We claim the ornamental design for a toner cartridge, as shown and described.

(30) **Foreign Application Priority Data**

**DESCRIPTION**

Oct. 5, 2016 (JP) ..... 2016-021731  
Oct. 5, 2016 (JP) ..... 2016-021732  
Oct. 5, 2016 (JP) ..... 2016-021733

FIG. 1 is a front view of our new design for a toner cartridge; FIG. 2 is a rear view thereof; FIG. 3 is an enlarged right-side view thereof; FIG. 4 is an enlarged left-side view thereof; FIG. 5 is a top view thereof; FIG. 6 is a bottom view thereof; FIG. 7 is a top perspective view thereof; and, FIG. 8 is a bottom perspective view thereof.

(51) **LOC (12) Cl.** ..... **16-03**

(52) **U.S. Cl.**  
USPC ..... **D18/43**

(58) **Field of Classification Search**  
USPC ..... D18/40-45, 56

The dot-dash broken lines and evenly spaced broken lines immediately adjacent to the claim represent the bounds of the claimed design, while all other evenly spaced broken lines are directed to environment. The broken lines form no part of the claimed design.

The wire frame lines shown throughout the views are intended to indicate surface contour.

(Continued)

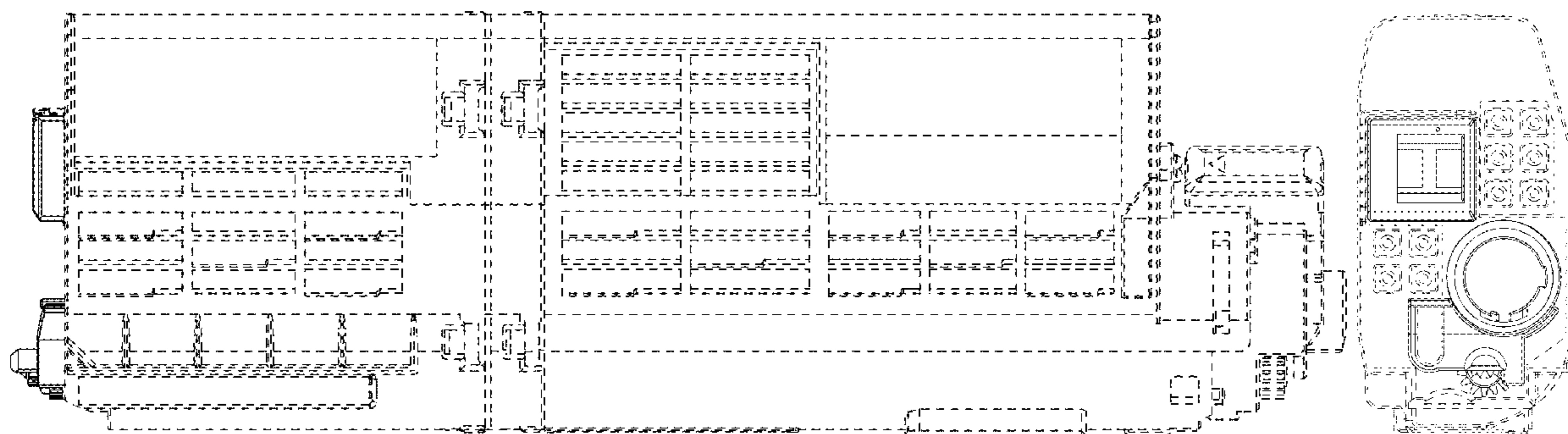
(56) **References Cited**

**U.S. PATENT DOCUMENTS**

D356,812 S 3/1995 Chiba  
D374,455 S 10/1996 Senshiki

(Continued)

**1 Claim, 8 Drawing Sheets**



(58) **Field of Classification Search**

CPC ..... G03G 15/0894; G03G 15/0896; G03G 15/0898; G03G 21/1661; G03G 21/1666; G03G 21/1671; G03G 21/1676; G03G 15/0868; G03G 15/087; G03G 15/0872; G03G 15/0874; G03G 15/0875; G03G 15/0877; G03G 21/168; G03G 21/1685; G03G 21/169; G03G 21/1695; G03G 21/18; G03G 21/1803; G03G 21/1807

See application file for complete search history.

D750,702 S \* 3/2016 Ooyoshi ..... D18/43  
 D763,347 S 8/2016 Goto et al.  
 D791,866 S \* 7/2017 Kamoshida ..... D18/43  
 2004/0264984 A1\* 12/2004 Yabuki ..... G03G 15/0856  
 399/27  
 2006/0165433 A1 7/2006 Mercer et al.  
 2006/0216068 A1 9/2006 Huang et al.  
 2006/0238599 A1\* 10/2006 Kishi ..... G03G 15/0862  
 347/140  
 2012/0274992 A1 11/2012 Suzuki

OTHER PUBLICATIONS

(56)

**References Cited**

U.S. PATENT DOCUMENTS

D478,344 S 8/2003 Kinoshita et al.  
 D478,345 S 8/2003 Kinoshita et al.  
 D491,602 S 6/2004 Koyama et al.  
 D546,873 S \* 7/2007 Otani ..... D18/43  
 D554,696 S 11/2007 Long  
 D573,631 S \* 7/2008 Oda ..... D18/43  
 D718,381 S 11/2014 Itabashi et al.  
 D749,166 S 2/2016 Goto et al.

Amazon. <U RL: [https://www.amazon.com/Aztech-Replaces-26A-Cartridge-LaserJet/dp/B01BVD83VC/ref=pd\\_sbs\\_229\\_3?\\_encoding=UTF8&pd\\_rd\\_i=B01BVD83VC&p%E2%80%A6](https://www.amazon.com/Aztech-Replaces-26A-Cartridge-LaserJet/dp/B01BVD83VC/ref=pd_sbs_229_3?_encoding=UTF8&pd_rd_i=B01BVD83VC&p%E2%80%A6)> Feb. 17, 2016. Aztech Replacement Toner Cartridge.  
 Office Depot. <U RL: <https://www.officedepot.com/a/products/159237/Lexmark-X860H22G-High-Yield-Photoconductor-Kit/>> Visited Mar. 12, 2018. Lexmark™ X860H22G High-Yield Photoconductor Kit.

\* cited by examiner

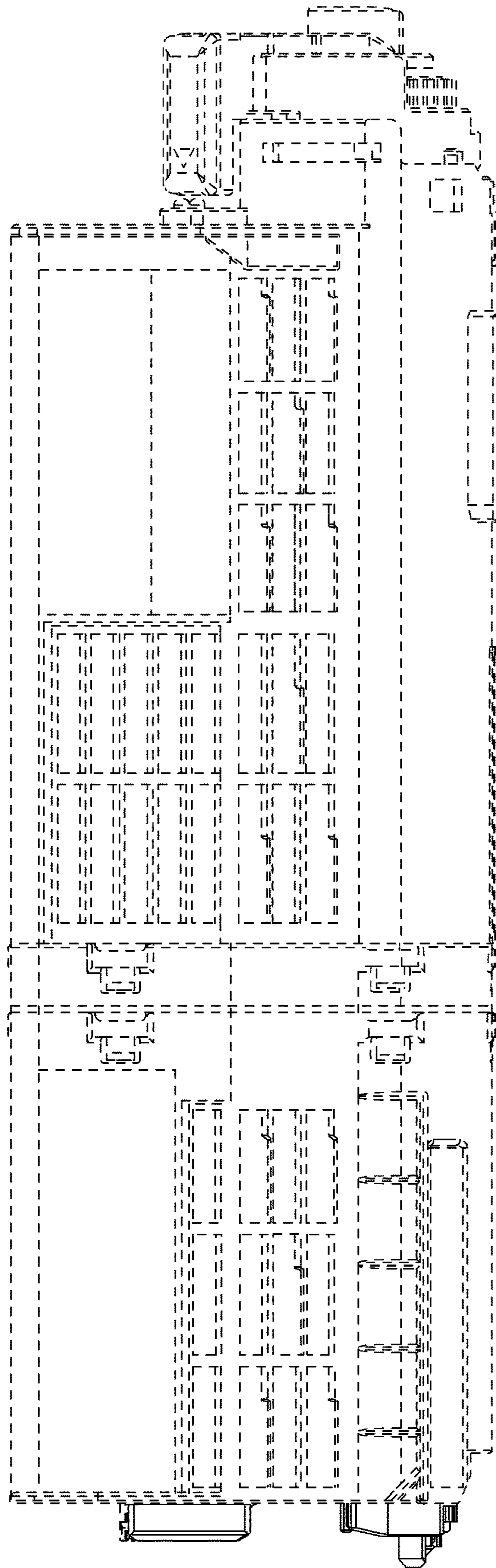


FIG. 1



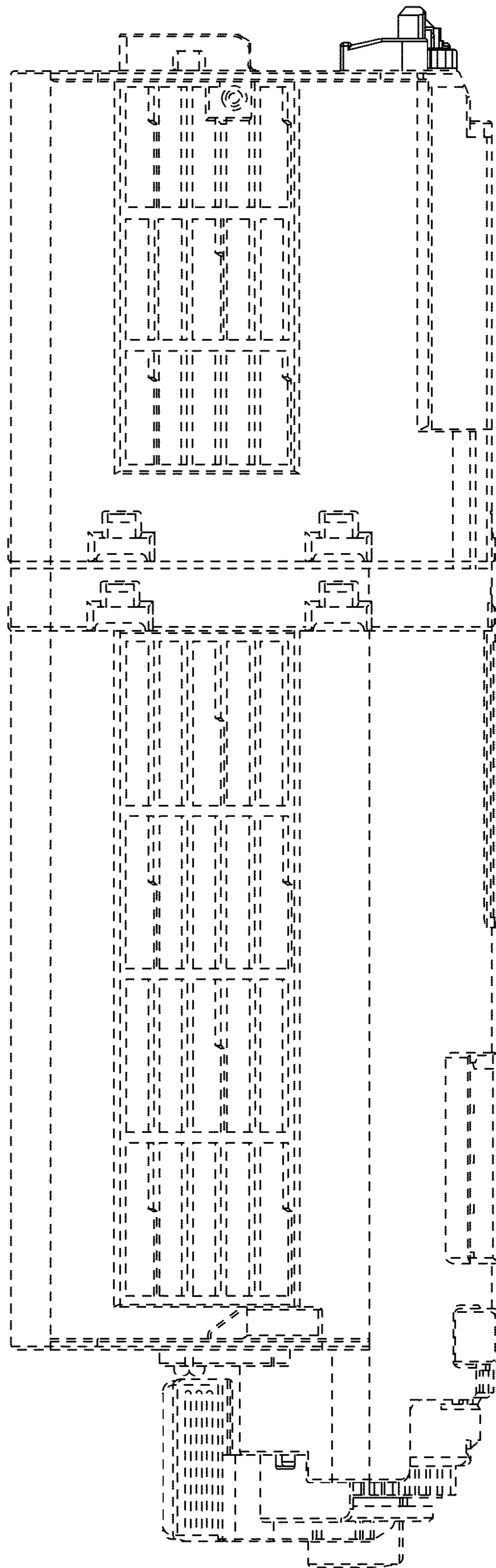


FIG. 2

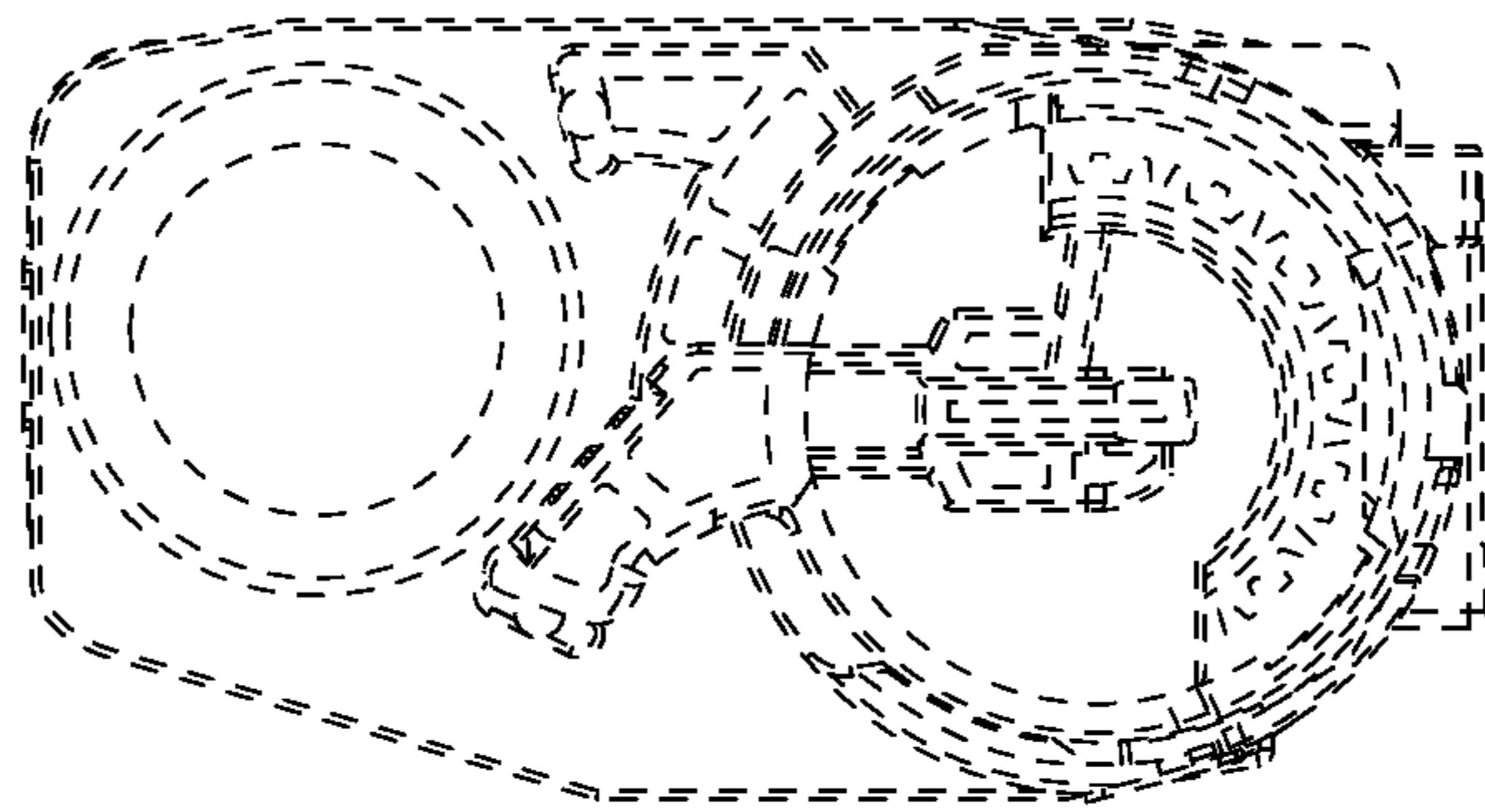


FIG. 3

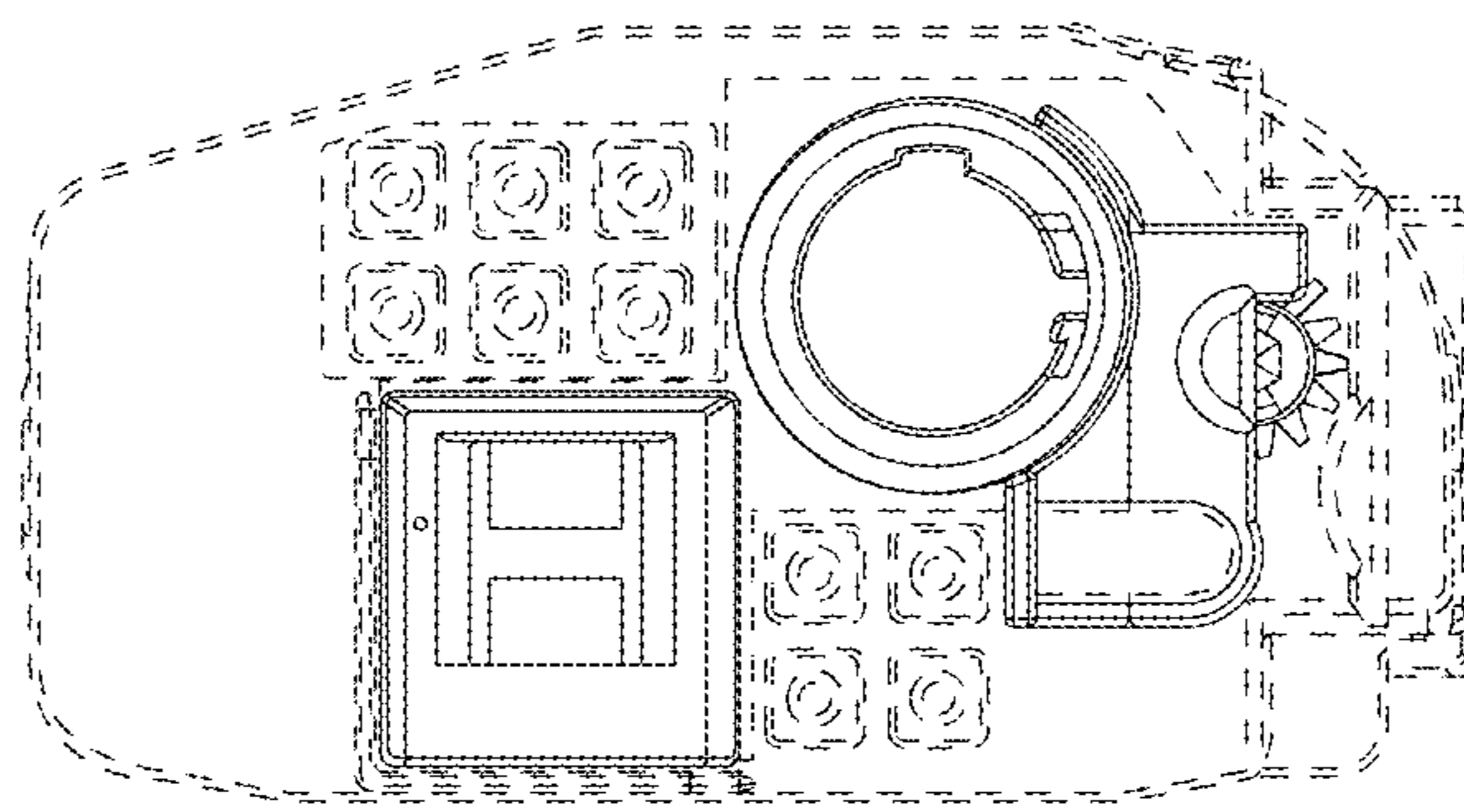


FIG. 4

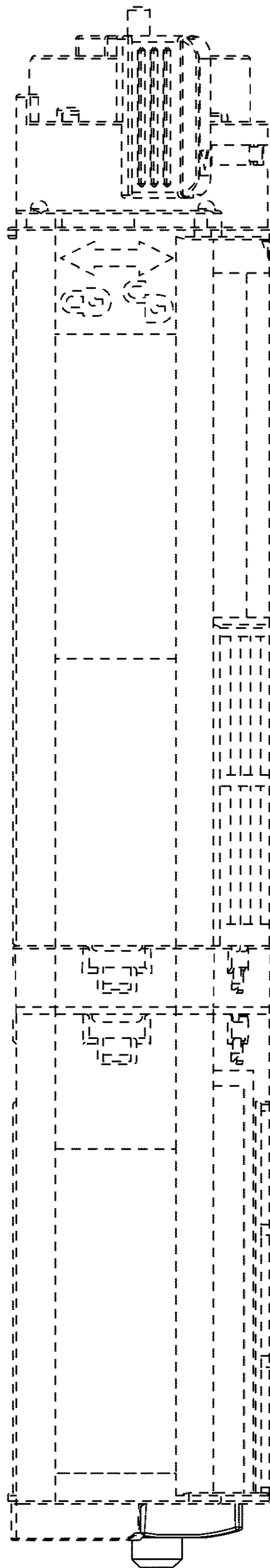


FIG. 5

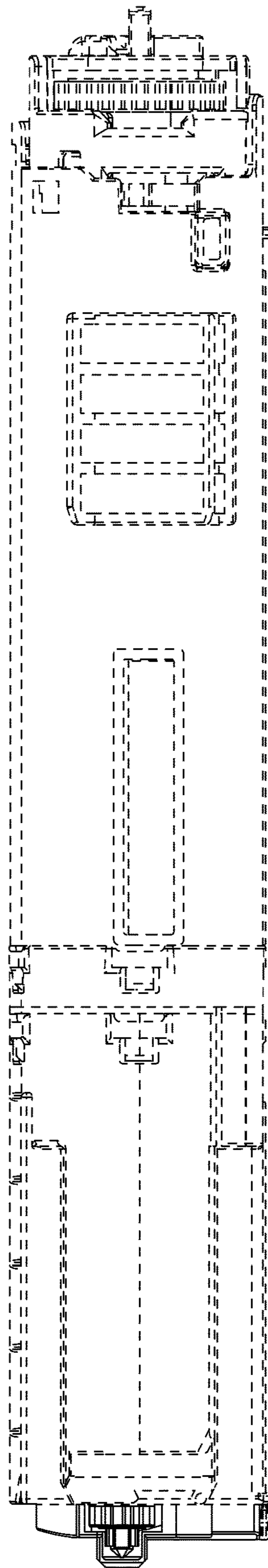


FIG. 6



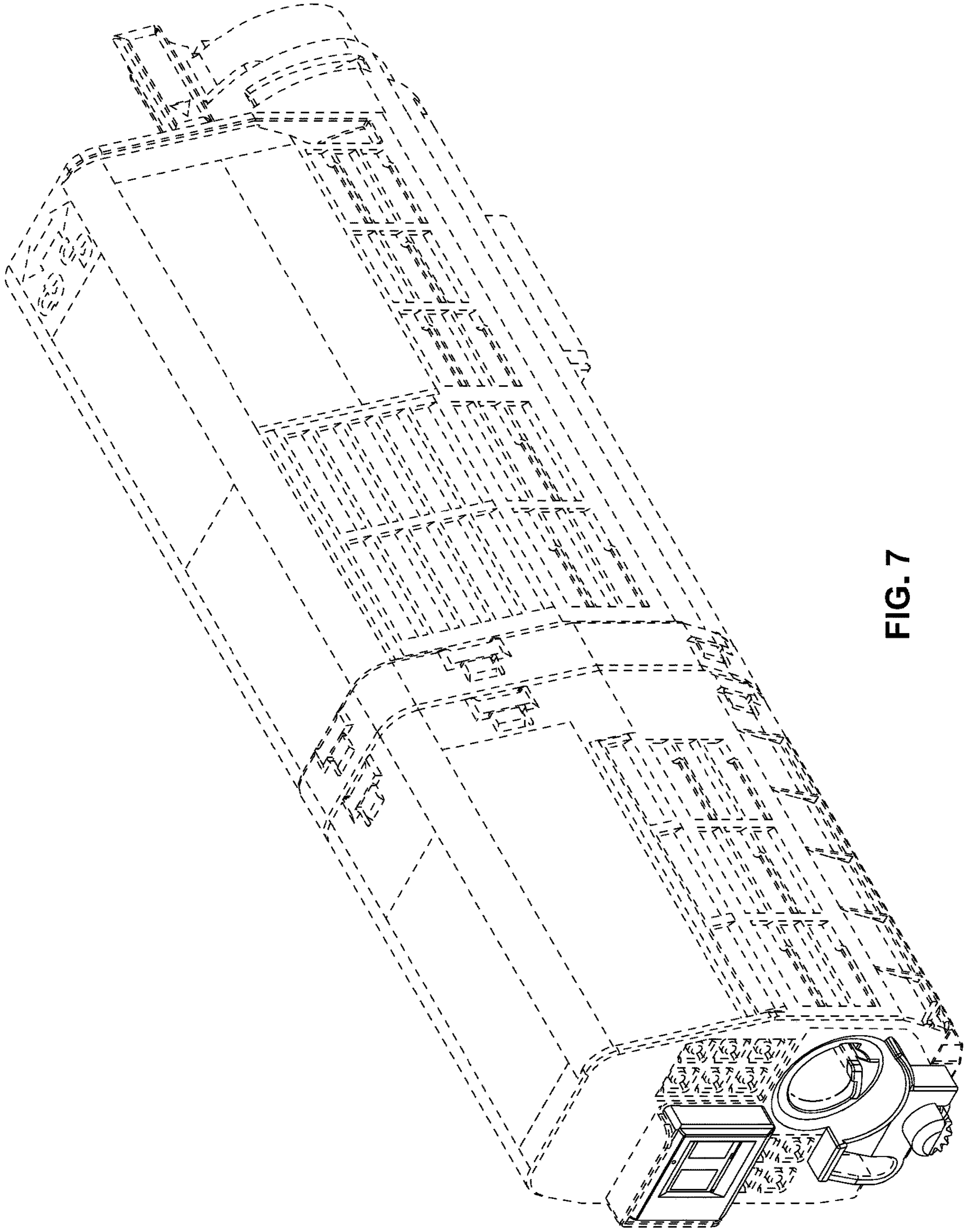


FIG. 7

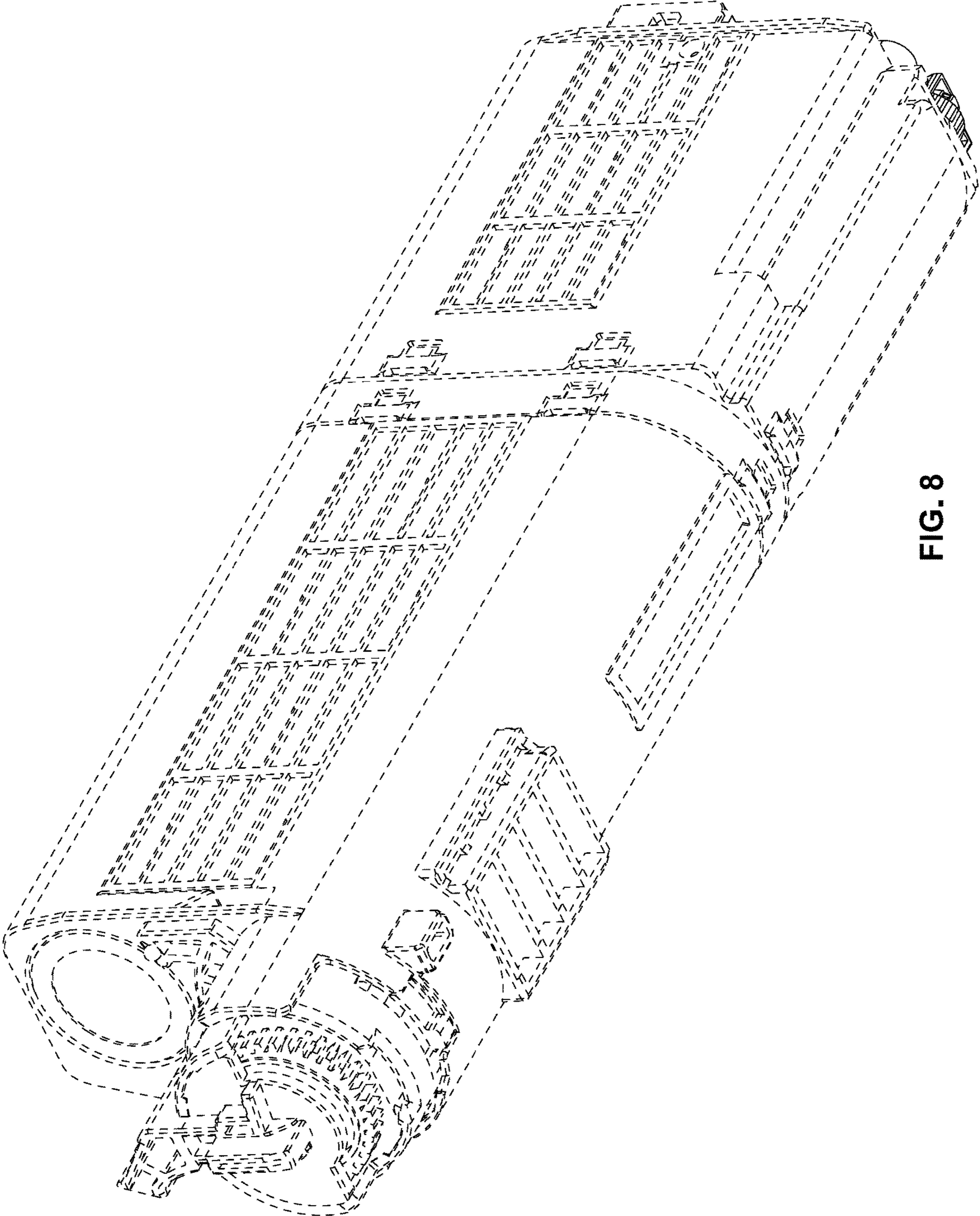


FIG. 8